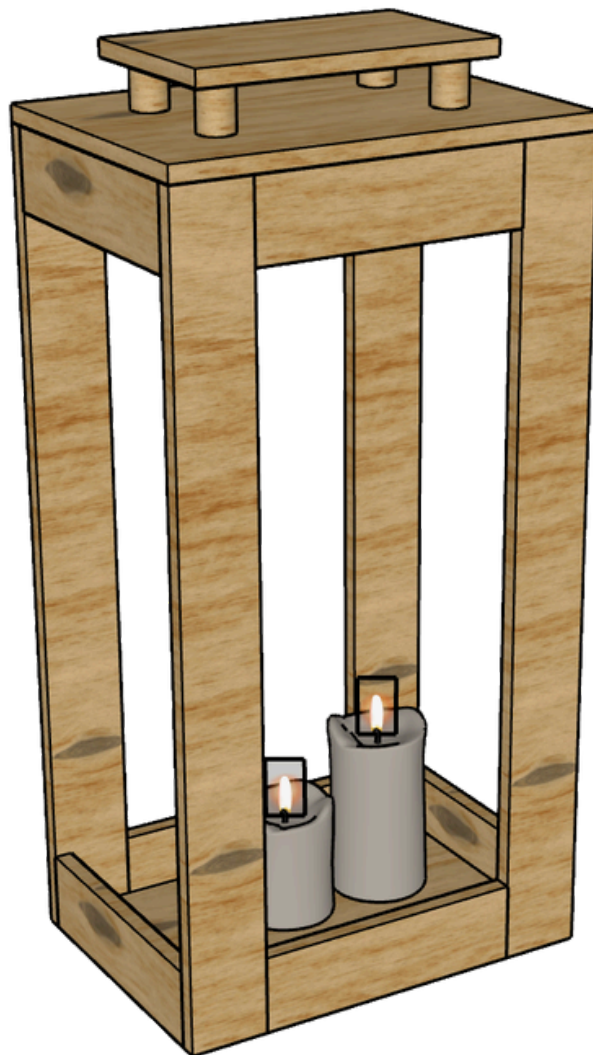


Charleston Crafted

LARGE OUTDOOR LANTERNS



PLANS CREATED BY CHARLESTON CRAFTED

FOR MORE INFORMATION ON THIS PLAN VISIT:

WWW.CHARLESTONCRAFTED.COM

INTRODUCTION

Want to light up the night in your backyard entertaining space? These oversized outdoor lanterns are a great way to add ambience to your evenings outside.

The plans are easy to follow, but please contact Sean@CharlestonCrafted.com if you have any questions! If you'd like to see our version live in action, check out our blog post at www.charlestoncrafted.com

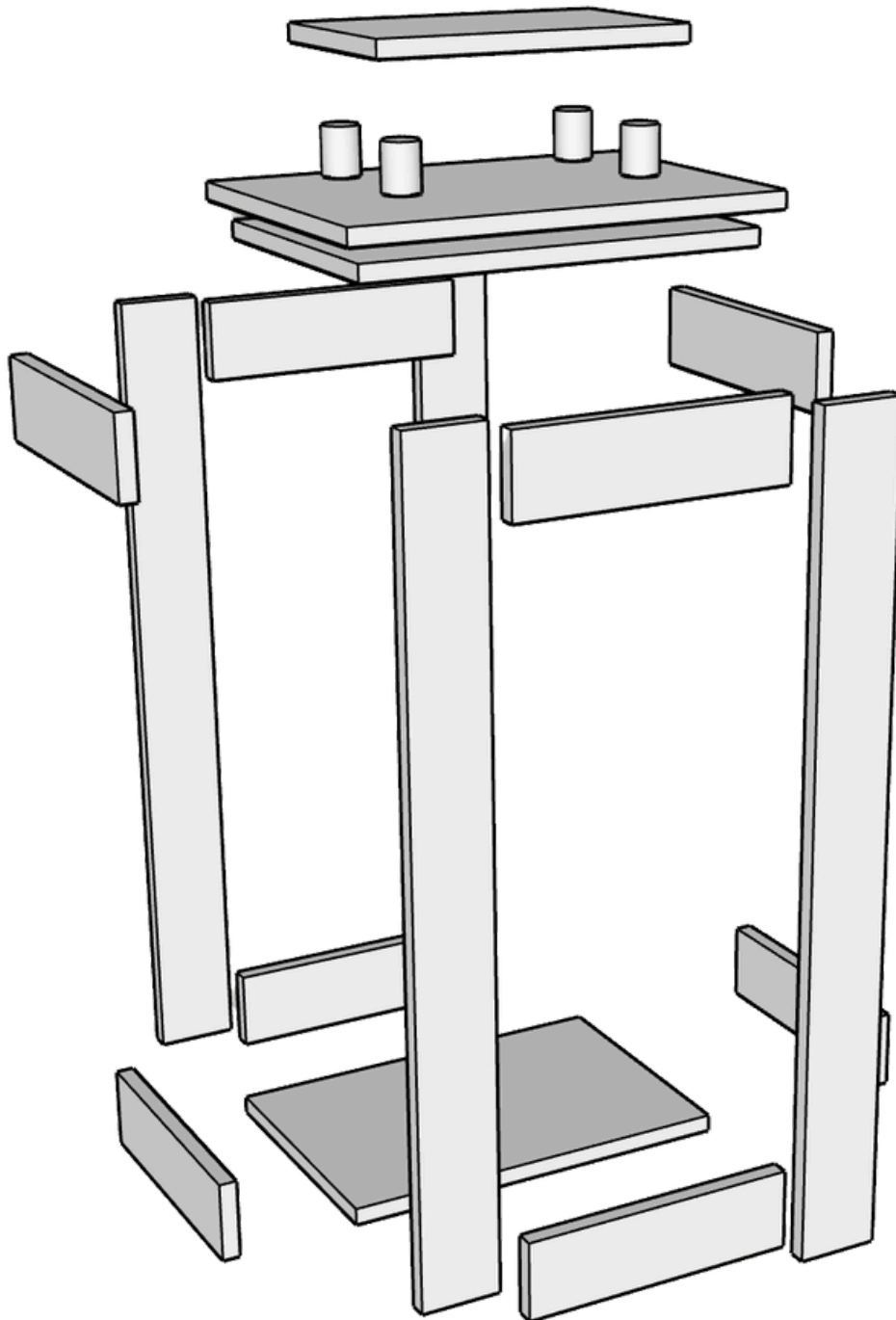
SUPPLY LIST

- (3) 3/4" x 3 1/2" x 8' outdoor rated boards (common 1x4s)
- 3/4" plywood
- 1" dowel rod
- 1 1/4" Kreg screws
- Wood glue
- Stain or paint
- Light source

CUT LIST

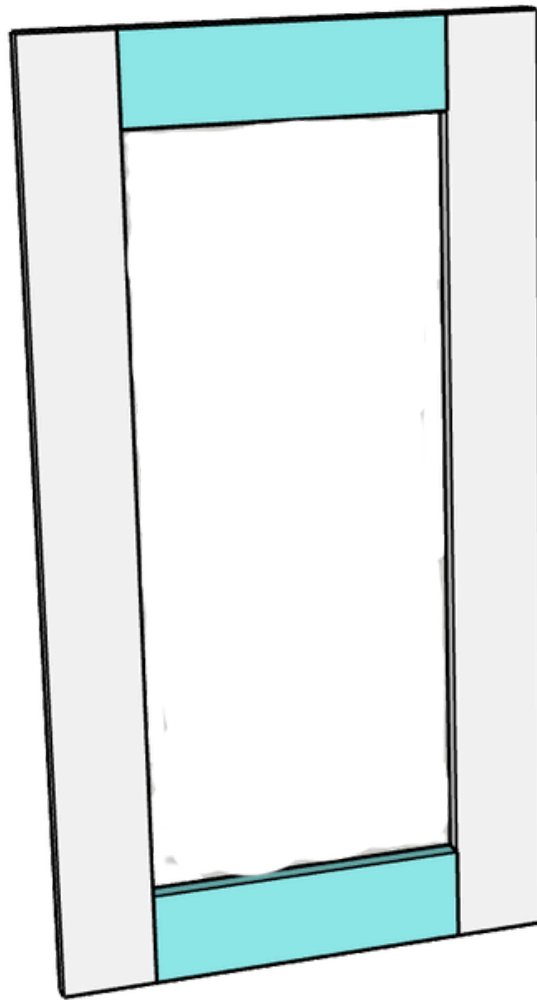
- (4) Posts- 3/4" x 3 1/2" x 36"
- (4) Top/Bottom- 3/4" x 3 1/2" x 12"
- (4) Sides- 3/4" x 3 1/2" x 12"
- (1) Bottom- 3/4" x 17 1/2" x 12"
- (1) Lid- 3/4" x 19" x 13 1/2"
- (1) Lid Support- 3/4" x 16 1/2" x 11"
- (1) Top- 3/4" x 13 1/2" x 8"
- (4) Dowels- 1" x 2"

EXPLODED VIEW



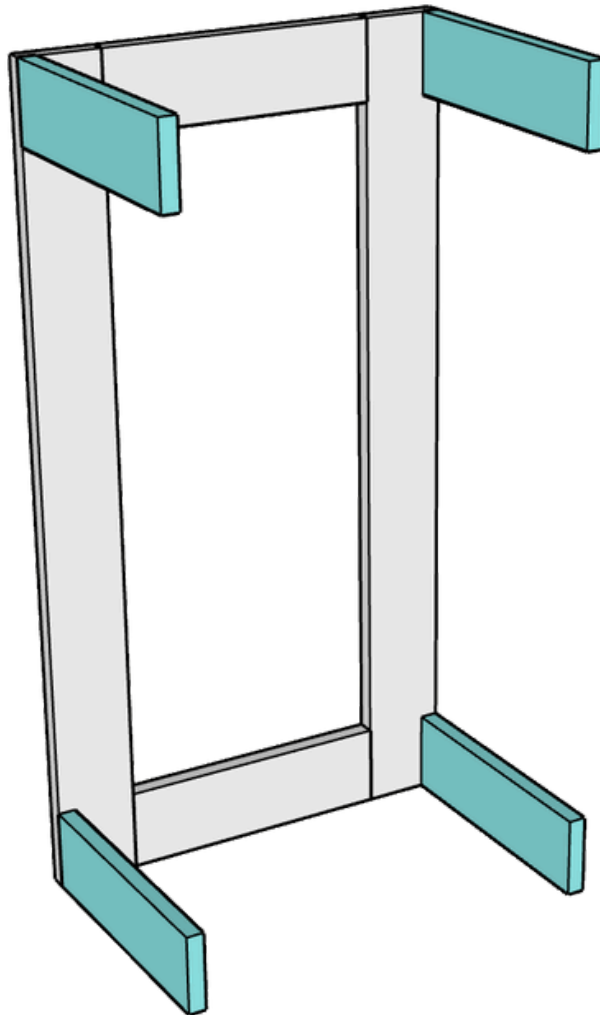
STEP ONE- BUILD FACE FRAMES

- Drill two pocket holes in each end of the Top/Bottom pieces.
- Using wood glue and pocket hole screws, attach one Top/Bottom Piece between two Posts at the top and one at the bottom.
- Repeat to create a second frame.



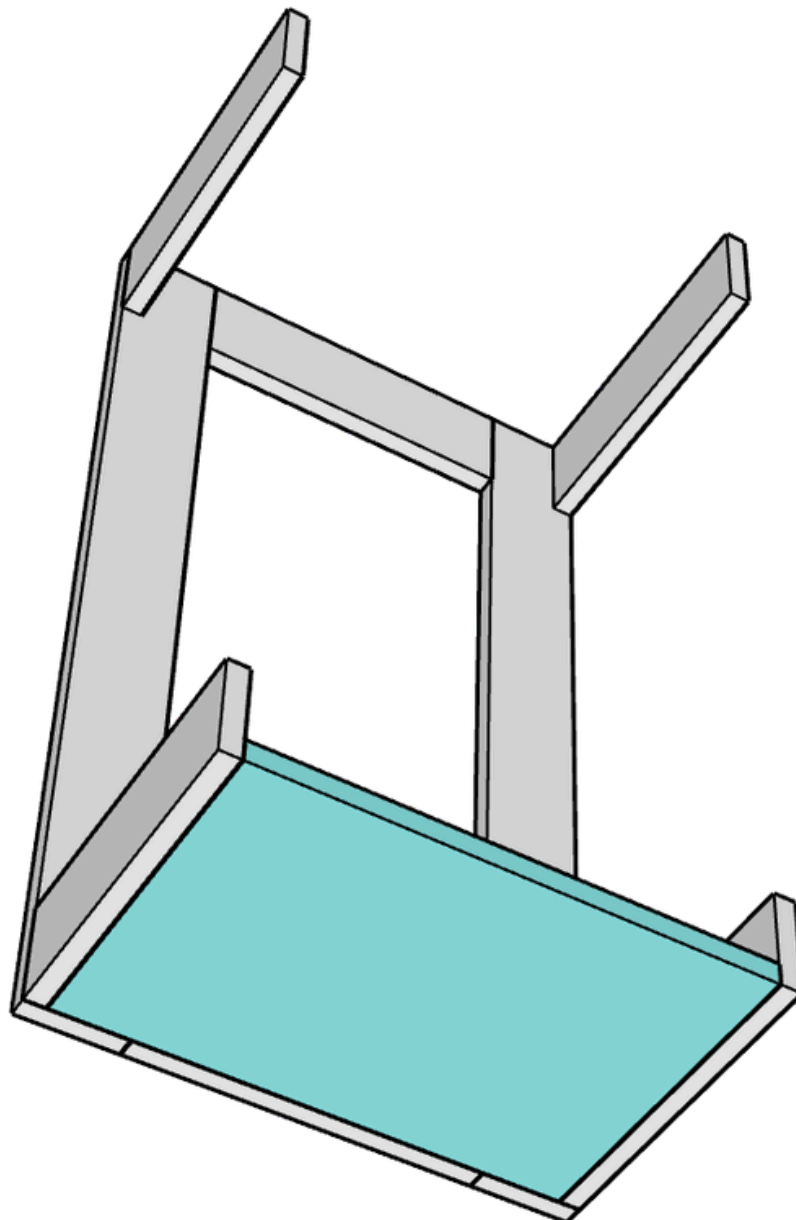
STEP TWO- ATTACH SIDES

- Drill two pocket holes in each end of the Side pieces.
- Flip one face frame on its front.
- Using wood glue and pocket hole screws, attach one Side piece to the four corners of each of the frame with the pocket holes all facing inward.



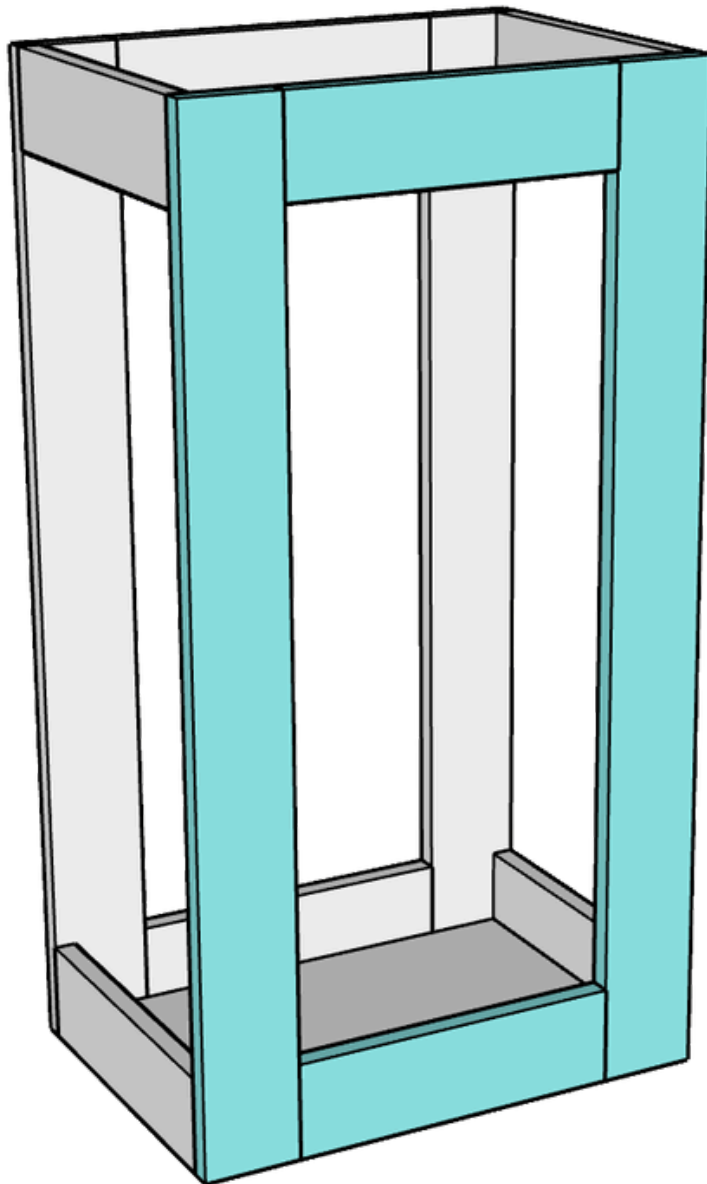
STEP THREE- ATTACH BOTTOM

- Drill two pocket holes on each side of the Bottom, evenly spaced on the edges.
- Using wood glue and pocket hole screws, attach the Bottom between the two Sides and the Top/Bottom along the bottom edge of the frame.



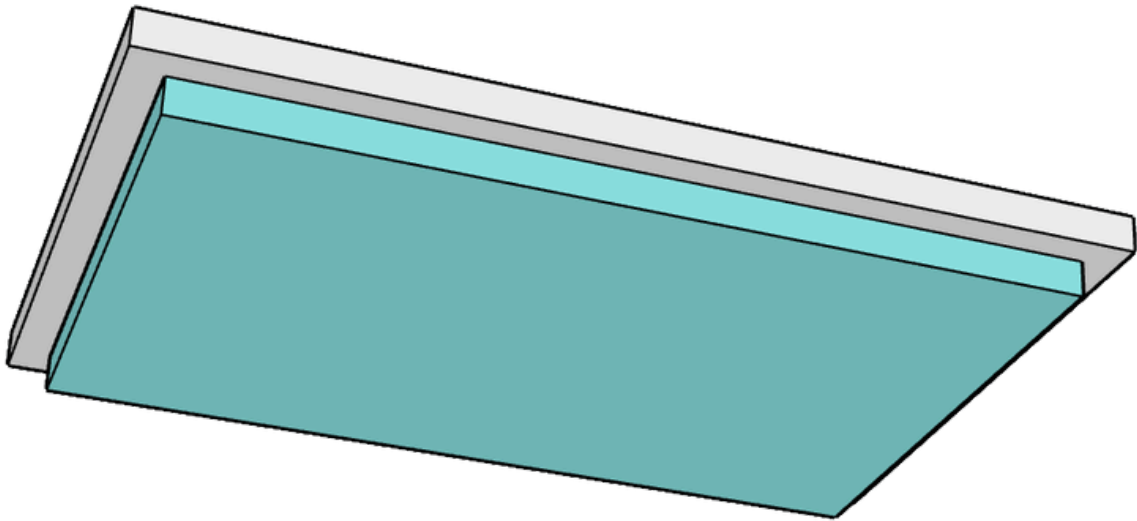
STEP FOUR- ATTACH SECOND FACE

- Flip the second face frame over onto its front.
- Apply wood glue to the exposed ends of the Sides and edge of the Bottom and then flip it over onto the other face frame.
- Use pocket hole screws to attach the body together.



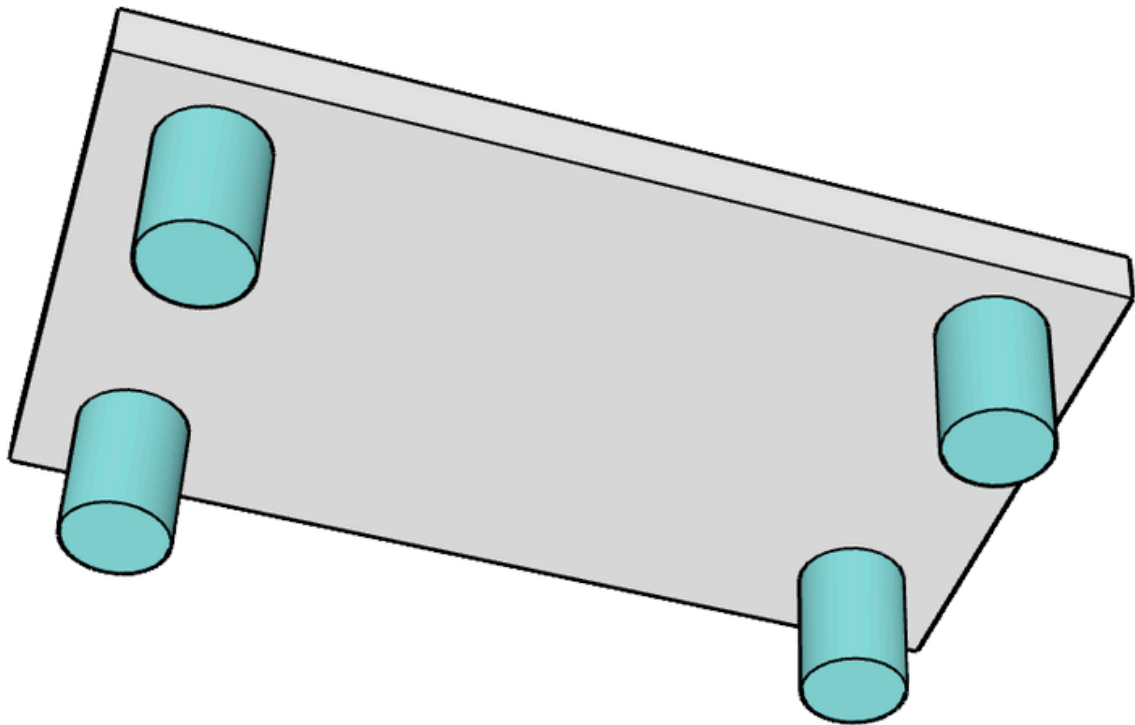
STEP FIVE- START LID

- Using wood glue and a couple of nails (or not if you just want to clamp), attach the Lid Support to the underside of the Lid.
- It should be about 1 1/4" from each edge of the Lid.



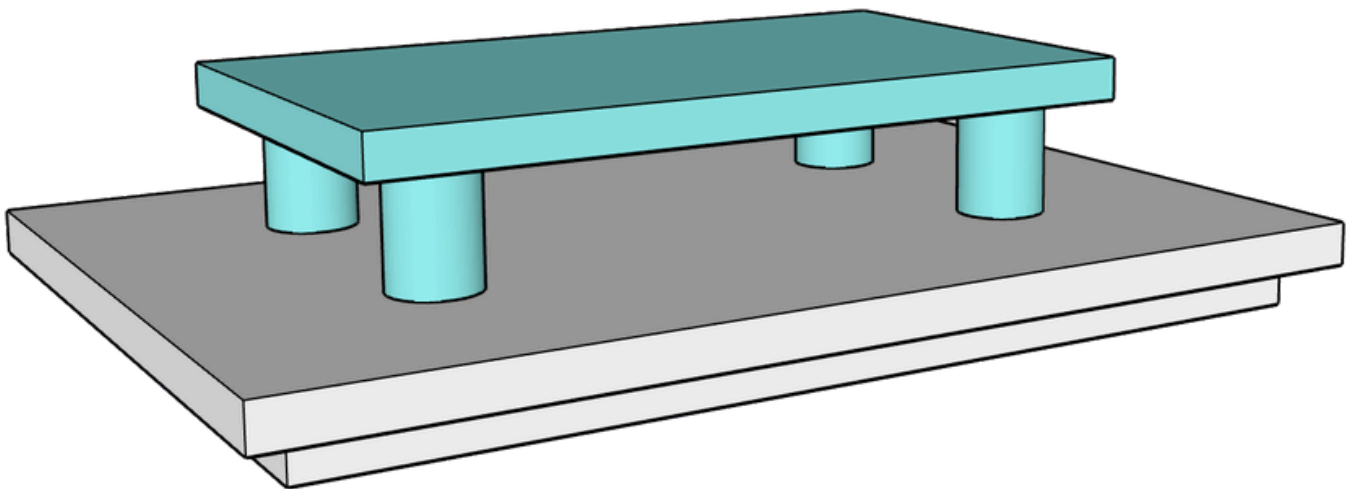
STEP SIX- ATTACH DOWELS TO TOP

- Using wood glue and 1/4" dowels (nails), attach the Dowels to one side of the Top.
 - Drilled a 1/4" hole on each end of the Dowels, then insert a 1/4" dowel inside the hole.
 - Drill a corresponding hole on the Top 1 1/2" x 1 1/2" from each corner.
 - Insert the dowels.



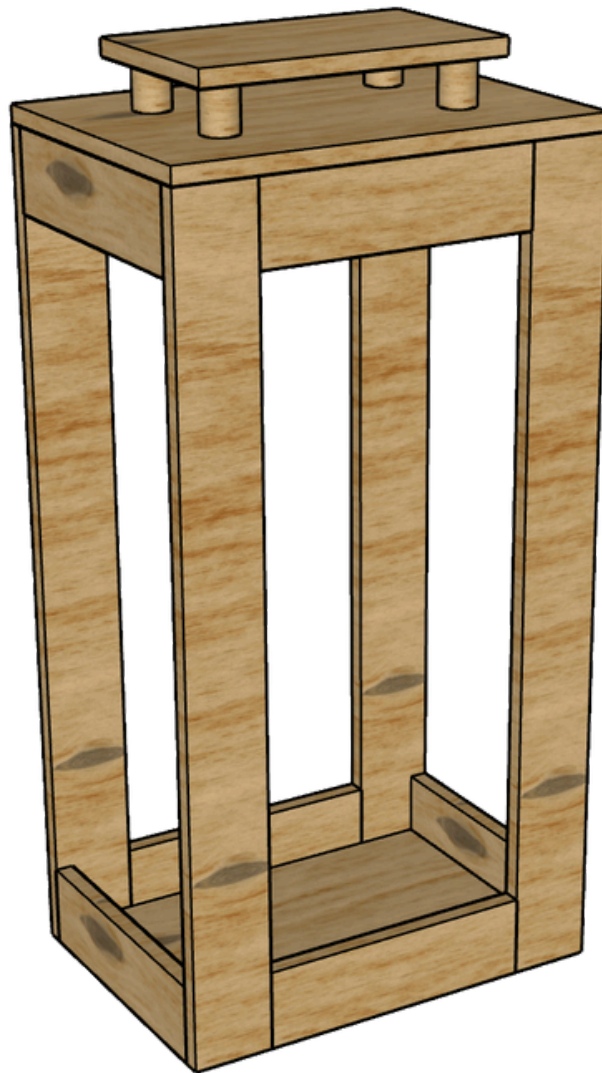
STEP SEVEN- FINISH TOP

- Insert 1/4" dowels into the Dowel pieces and line up on top of the Lid. They should be about 3 1/4" from each side, but if yours are slightly off, just make sure they are centered and mark the dowels.
- Drill 1/4" holes in the marked spots and fill with wood glue.
- Insert the 1/4" dowels attached to the Dowels into the holes in the Lid.



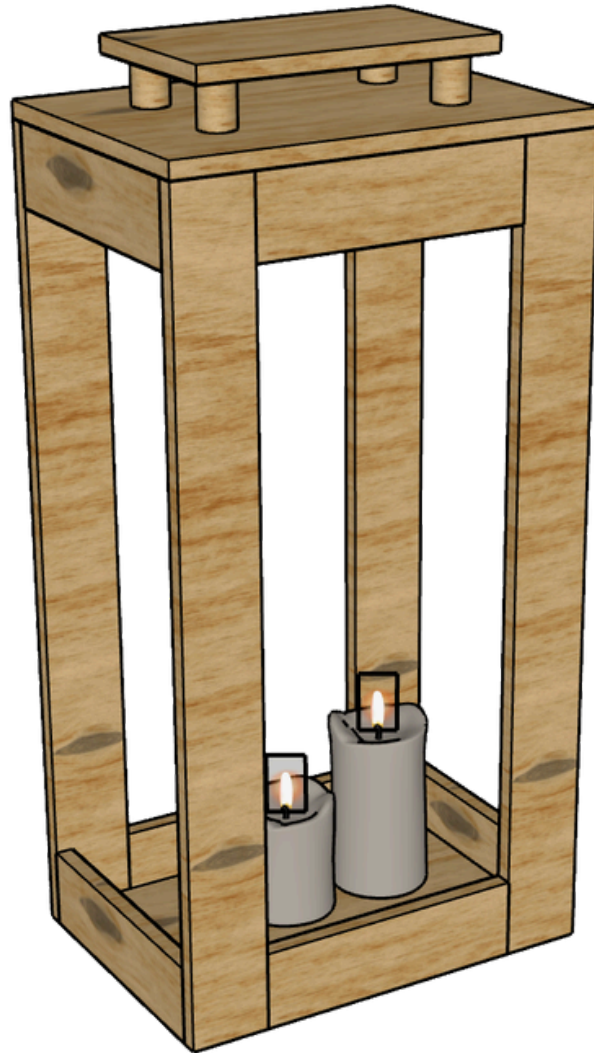
STEP EIGHT- STAIN/PAINT/SEAL

- Stain, paint or seal your lanterns with an outdoor product to keep it in good shape and to adjust the color to what you like.



STEP NINE- ADD LIGHT

- Use a battery powered light source or carefully controlled small flame to illuminate the lantern and enjoy the evening.



FINAL STEP- ENJOY!

- Enjoy your handiwork and tag @CharlestonCraftedBuilds on Instagram with a picture!

Charleston
Crafted

These plans are for personal use only and are meant to serve as a guide to build. Sean and Morgan McBride and The Charleston Crafted Blog LLC do not assume any responsibility or liability arising from the misuse of these plans or injuries that occur during the construction or use of your product.