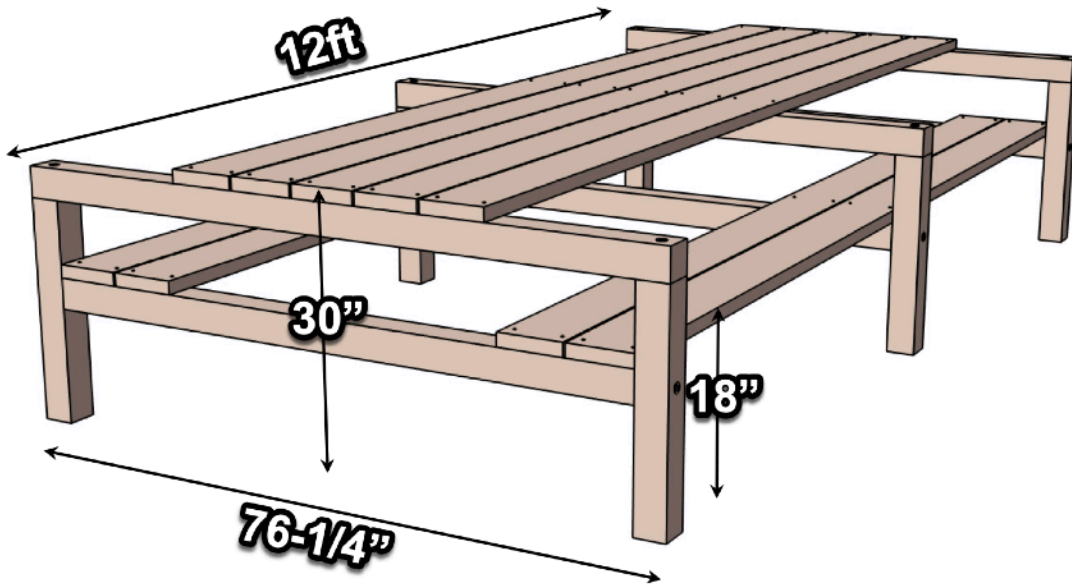


MODERN PICNIC TABLE

BUILD TIME = 1 DAY | EST. COST TO BUILD = \$250 | SKILL LEVEL = BEGINNER



REQUIRED TOOLS

- Miter Saw
- Drill/Driver
 - 1-1/8" Forstner Bit
 - 1/4" Drill Bit
- Impact Wrench
 - 9/16" Socket
- Tape Measure
- Pencil
- Safety Glasses
- Hearing Protection
- Dust Mask

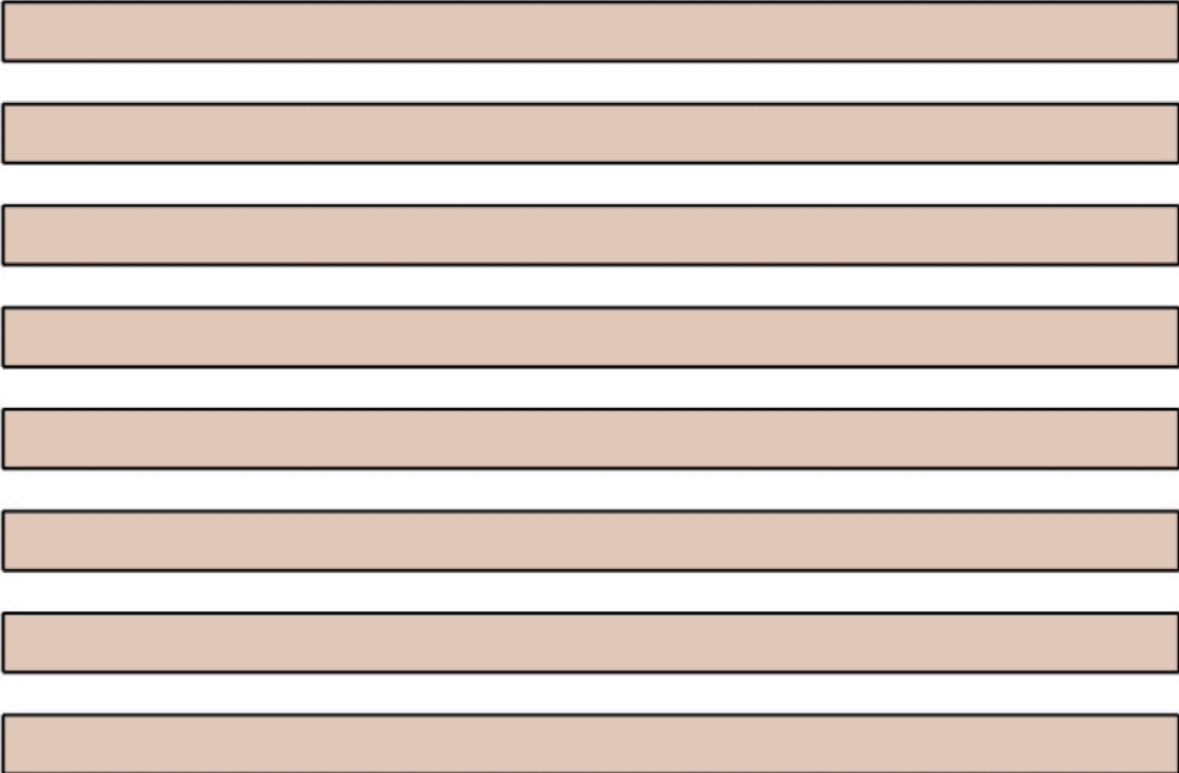
MATERIALS

- (9) 2 x 8 x 12' Treated Lumber
- (6) 4 x 4 x 10' Treated Lumber
- (12) 3/8" x 5-1/2" Galvanized Lag Screws
- (12) 3/8" Galvanized Washers
- (54) 3" Timber or Deck Screws

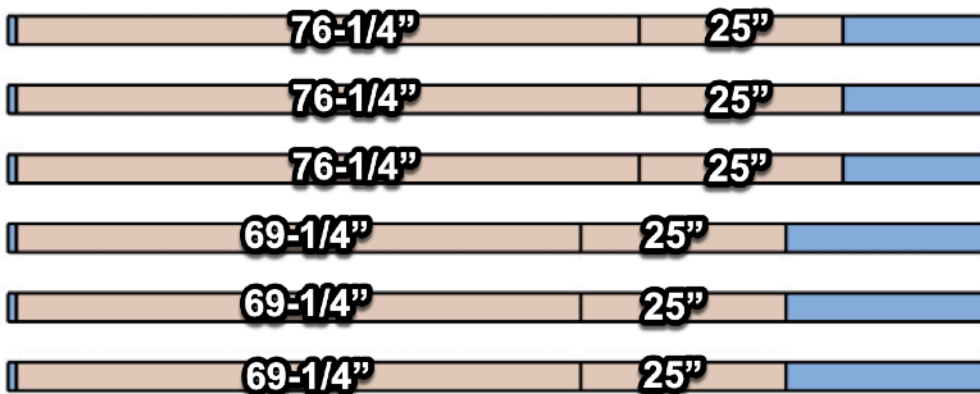
CUT LIST

2 x 8 x 12ft Treated Lumber (Qty 9)

Note: All 2x8 ends should be trimmed to clean up ends and assure all are same length.

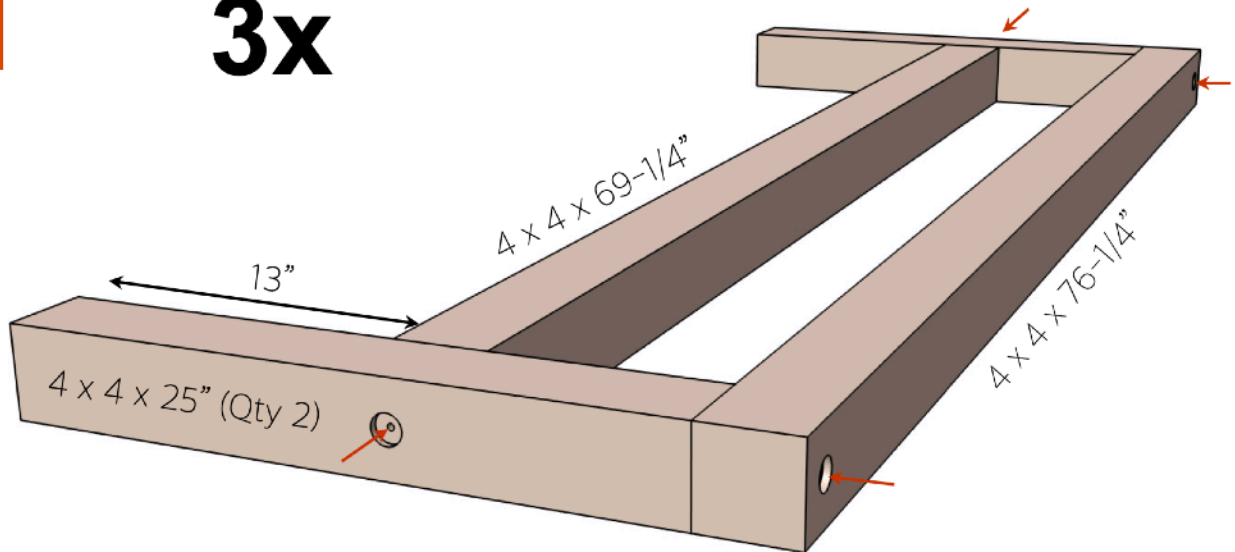


4 x 4 x 10ft Treated Lumber (Qty 6)



STEP
1

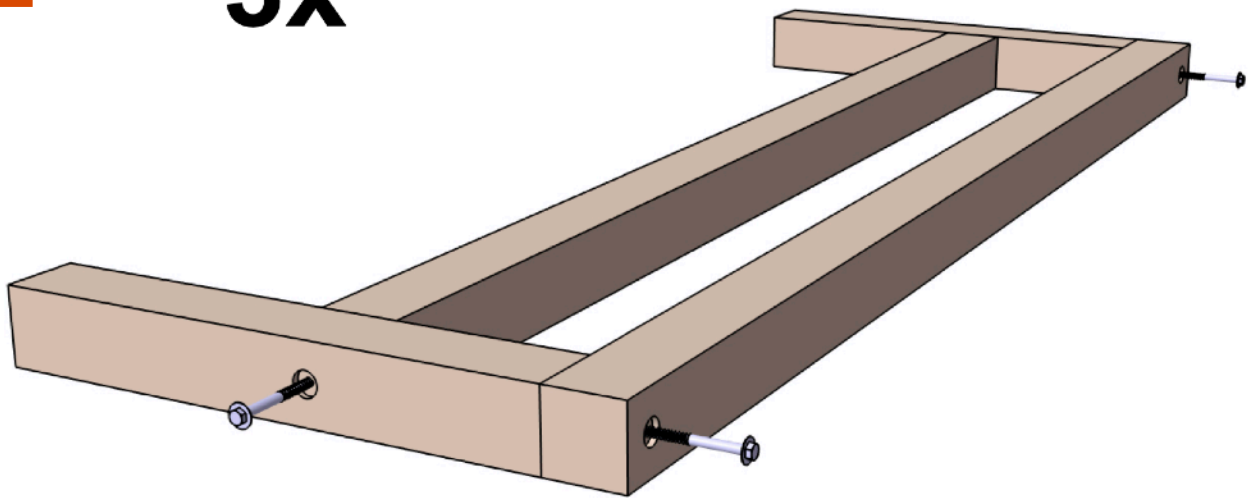
3x



Layout the 4x4s as shown. Locate center of each 4x4 joint and use a **1-1/8" forstener bit to counterbore a 1/2" deep hole**. Then, **drill a 1/4" pilot hole** through the center.

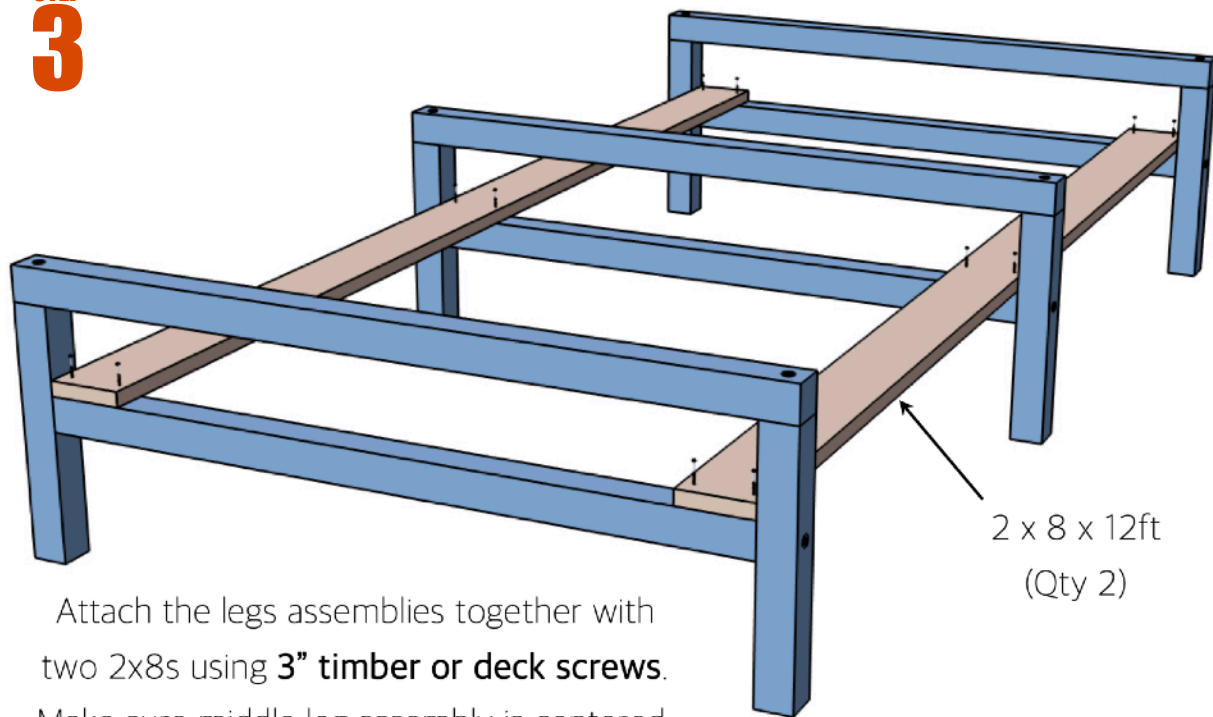
STEP
2

3x



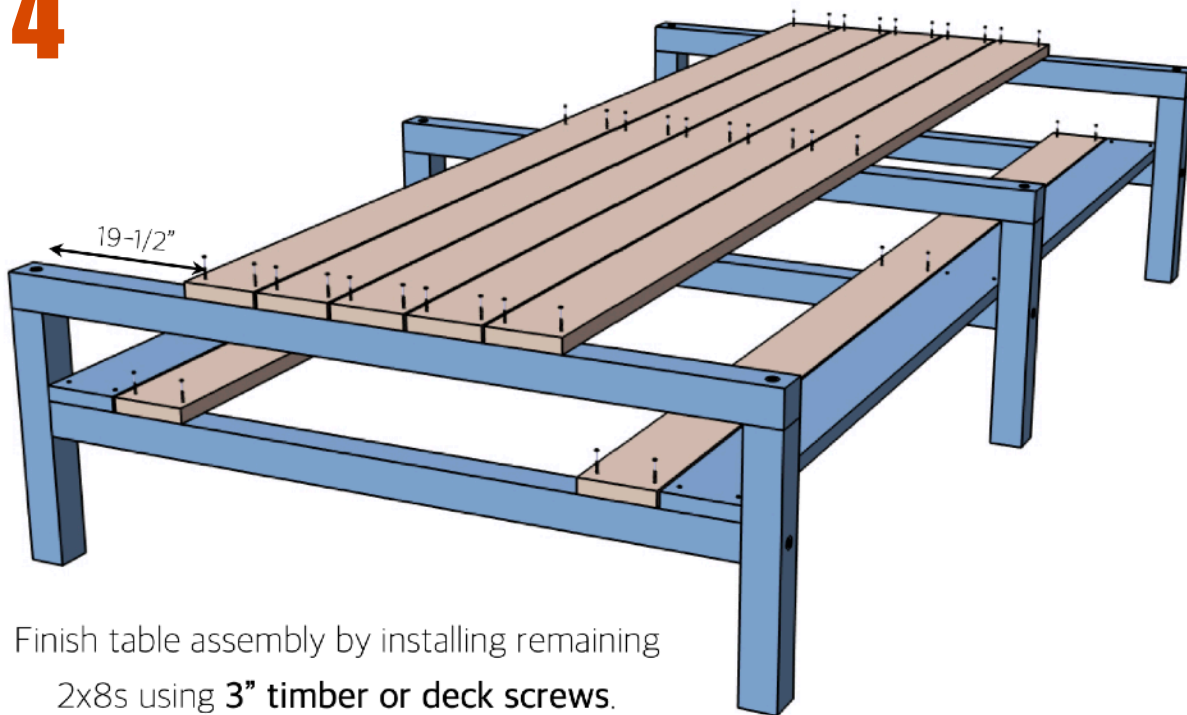
Assemble each leg assembly with **four 3/8" x 5-1/2" lag screws and washers** using an impact wrench

STEP
3



Attach the legs assemblies together with two 2x8s using **3" timber or deck screws**. Make sure middle leg assembly is centered.

STEP
4



Finish table assembly by installing remaining 2x8s using **3" timber or deck screws**.