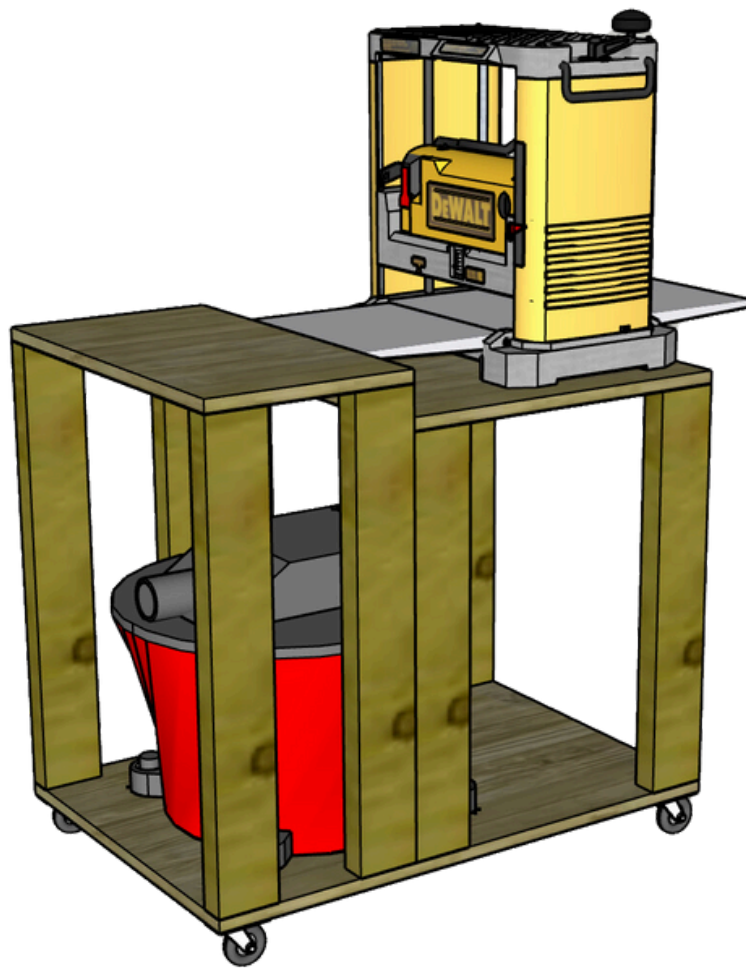


# Charleston Crafted

## PLANER TABLE



**PLANS CREATED BY CHARLESTON CRAFTED**

FOR MORE INFORMATION ON THIS PLAN VISIT:

[WWW.CHARLESTONCRAFTED.COM](http://WWW.CHARLESTONCRAFTED.COM)

## INTRODUCTION

This rolling planer table is a great addition to any workshop. Keep your planer mobile so that you can use it where you need it!

The plans are easy to follow, but please contact [Sean@CharlestonCrafted.com](mailto:Sean@CharlestonCrafted.com) if you have any questions! If you'd like to see our version live in action, check out our blog post at [www.charlestoncrafted.com](http://www.charlestoncrafted.com)

## SUPPLY LIST

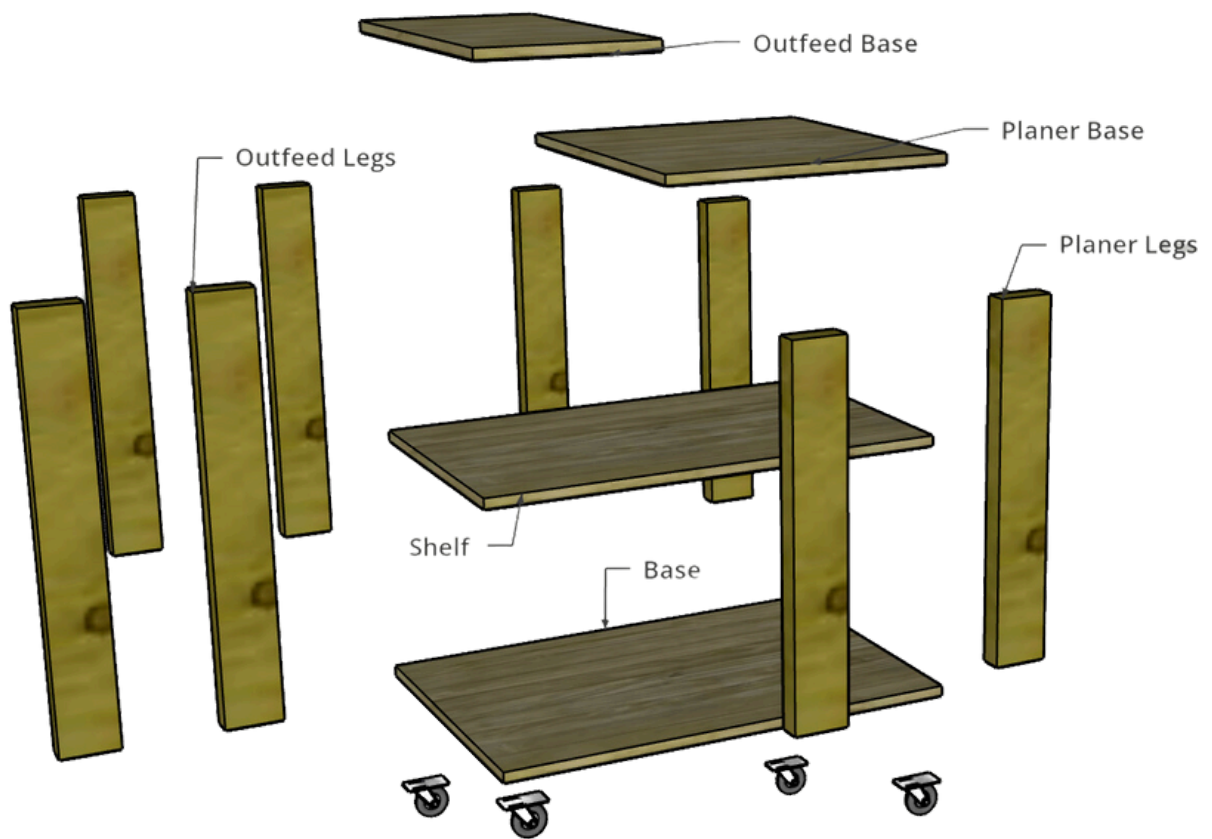
- (1) 4' x 8' x 3/4" plywood
- (3) 1 1/2" x 3 1/2" x 8' (common 2x4s)
- 1 1/4" Kreg pocket hole screws
- Wood glue
- 2 1/2" rolling locking casters

## CUT LIST

- Plywood
  - (1) Base- 32" x 22" x 3/4"
  - (1) Planer Base- 20" x 22" x 3/4"
  - (1) Outfeed Base- 12" x 22" x 3/4"
  - (1) Shelf- 32" x 19" x 3/4"
- Boards
  - (4) Outfeed Legs- 26 1/4" x 1 1/2" x 3 1/2"
  - (4) Planer Legs- 23 3/4" x 1 1/2" x 3 1/2"
- Note- These dimensions are for a Craftsman planer. Measure from the top of your planer's outfeed to the base of the planer. If your measurement is different than 2 1/2", adjust the length of the Outfeed Legs by that amount.

---

# EXPLODED VIEW



---

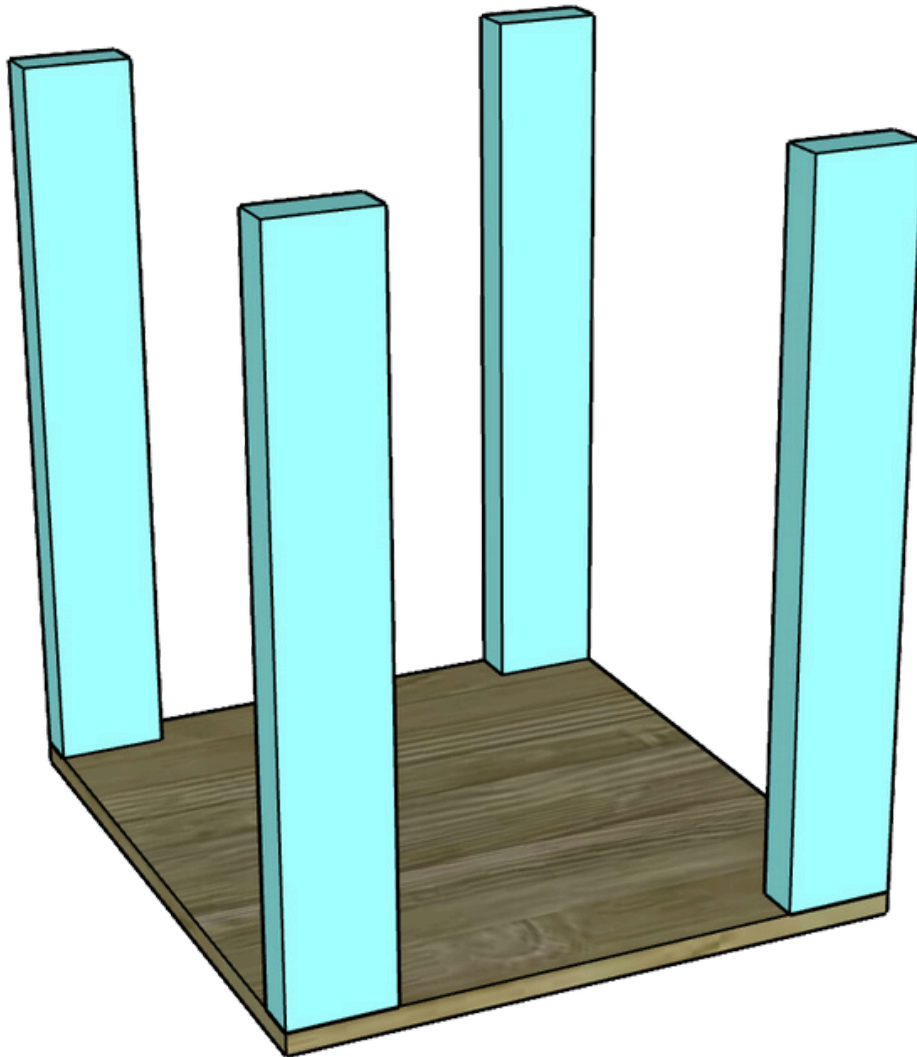
# STEP ONE- DRILL POCKET HOLES

- Start by drilling two pocket holes on each end of all eight of the legs.
- Set the collar depth of the drill to 3/4" instead of 1 1/2" thickness, due to the fact that the screw will be going into 3/4" thick wood.

---

## STEP TWO- ASSEMBLE PLANER BASE

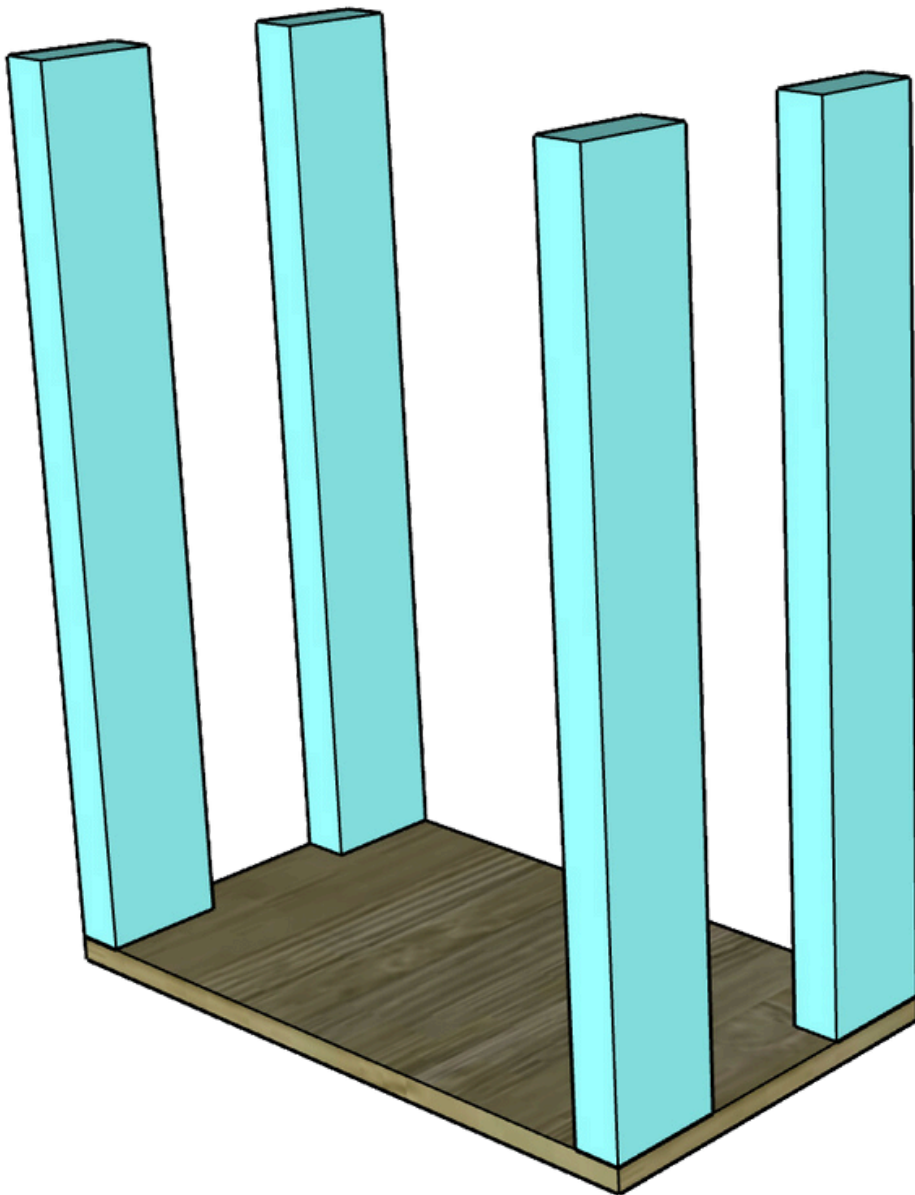
- Using wood glue and 1 1/4" pocket hole screws, attach one Planer Leg into each corner of the Planer Base.



---

## STEP THREE- ASSEMBLE OUTFEED BASE

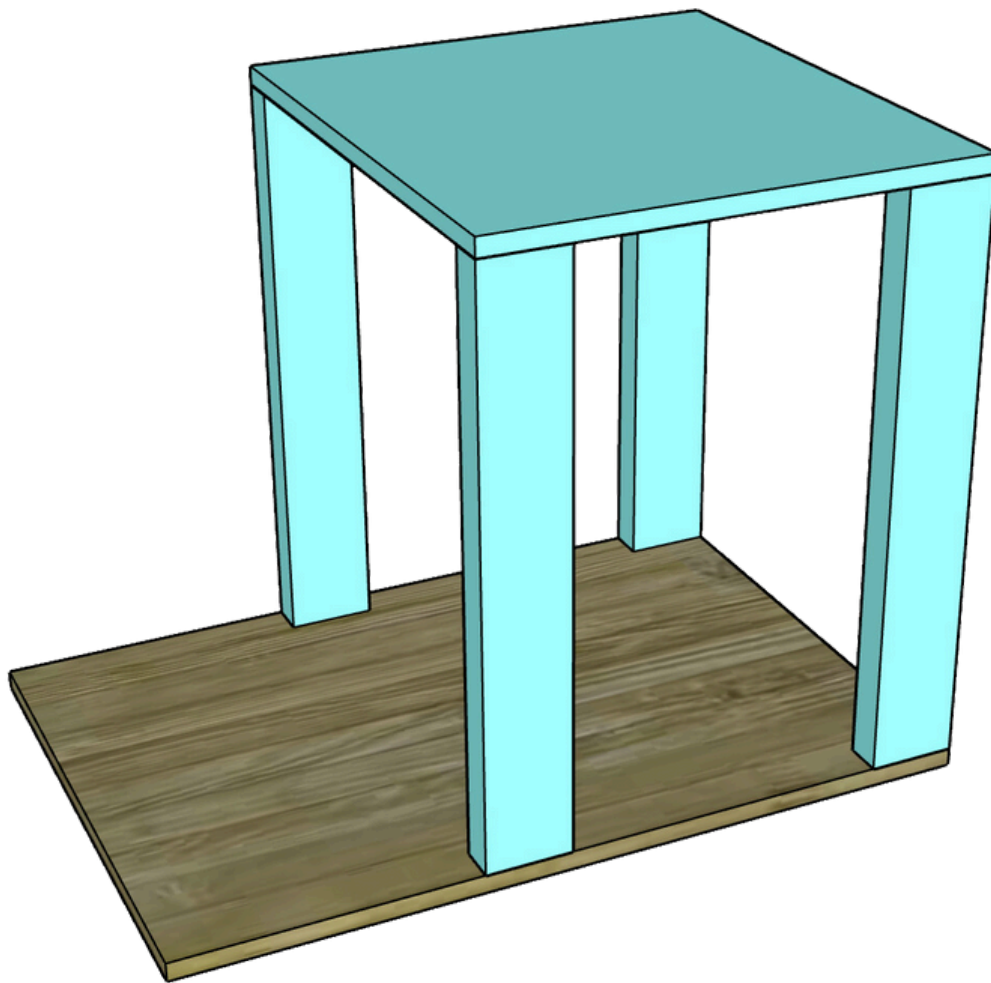
- Using wood glue and 1 1/4" pocket hole screws, attach one Outfeed Leg into each corner of the Outfeed Base.



---

## STEP FOUR- ATTACH PLANER BASE

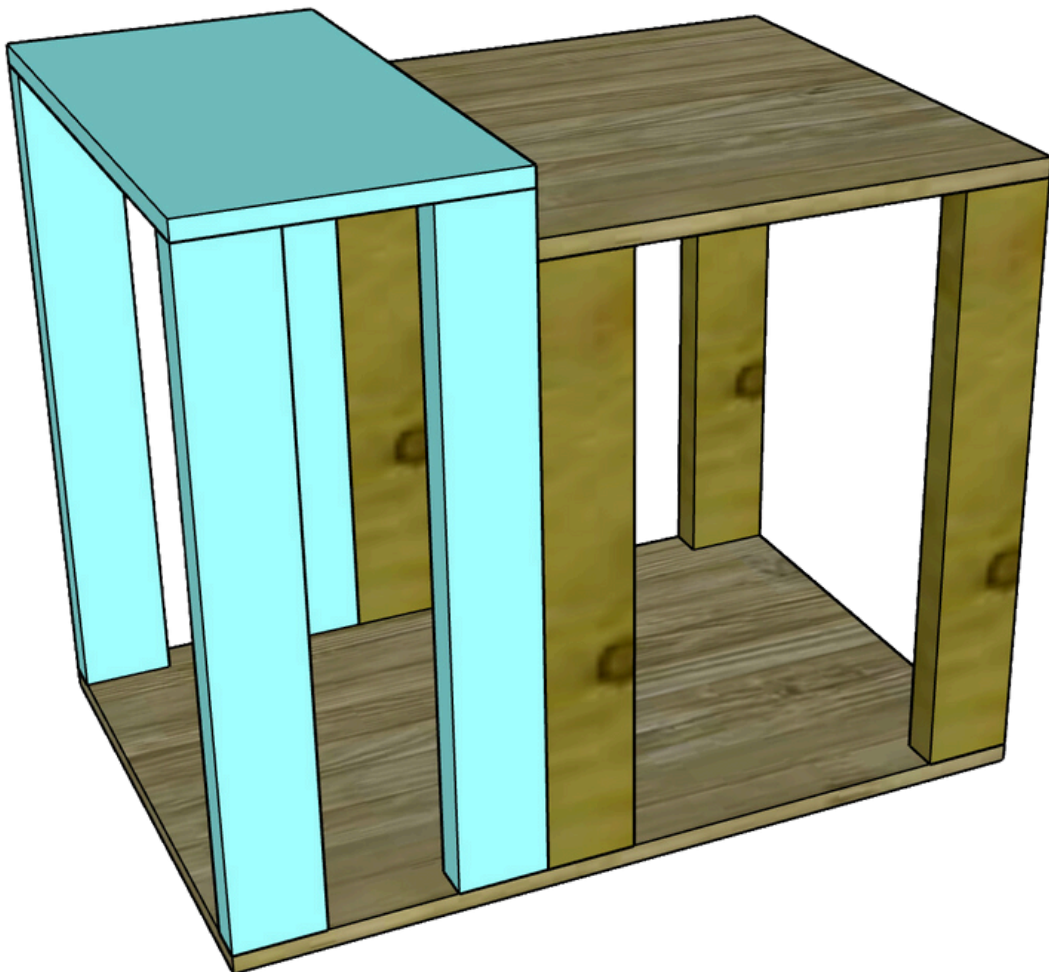
- Using wood glue and 1 1/4" pocket hole screws, attach the Planer Base into the Base.
- Align two of the Planer Legs into two corners of the Base.



---

## STEP FIVE- ATTACH OUTFEED BASE

- Using wood glue and 1 1/4" pocket hole screws, attach the Outfeed Base into the Base.
- Align two of the Outfeed Legs into the opposite two corners of the Base and the other two legs aligning next to the Planer Legs in the middle.
- You may also want to add a long screw to attach these two legs in the middle to keep them aligned.





---

# STEP SIX- ATTACH CASTERS

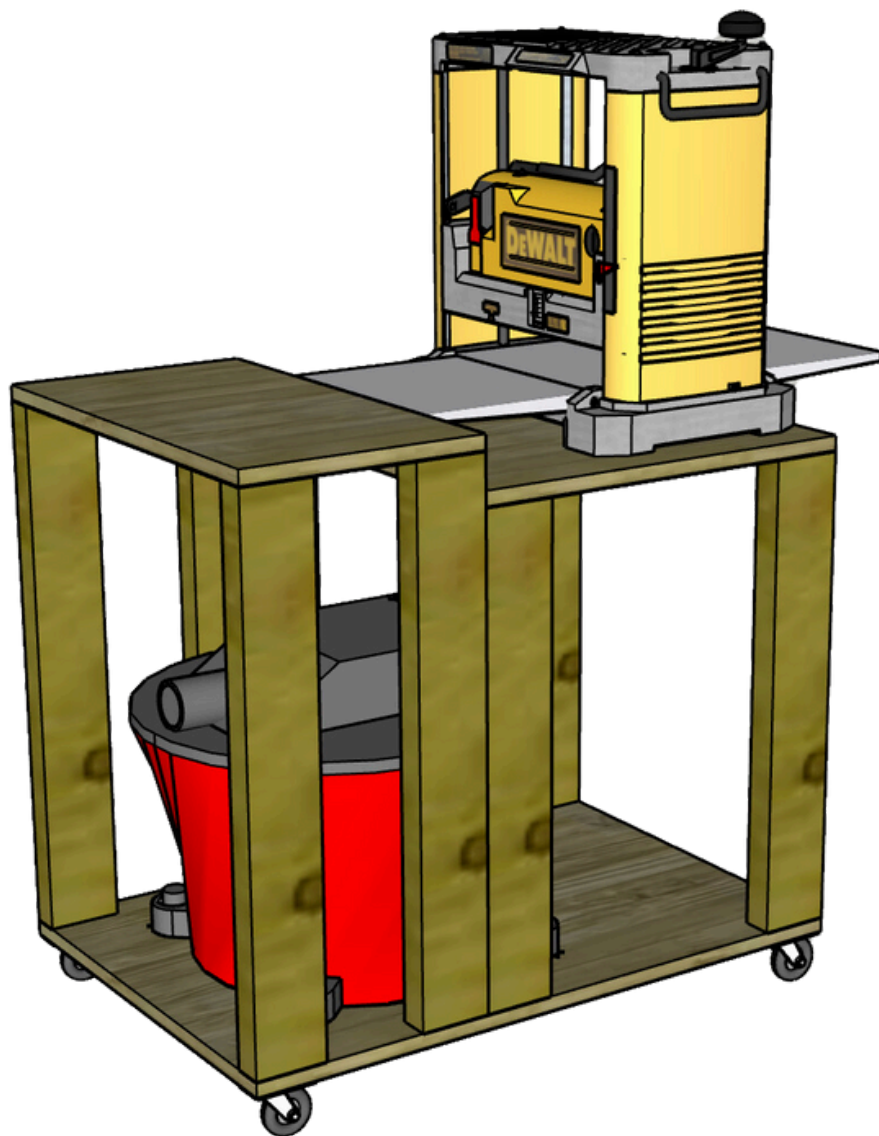
- Turn the planer table on its side and attach the casters in each corner.



---

# STEP SEVEN- SET UP PLANER

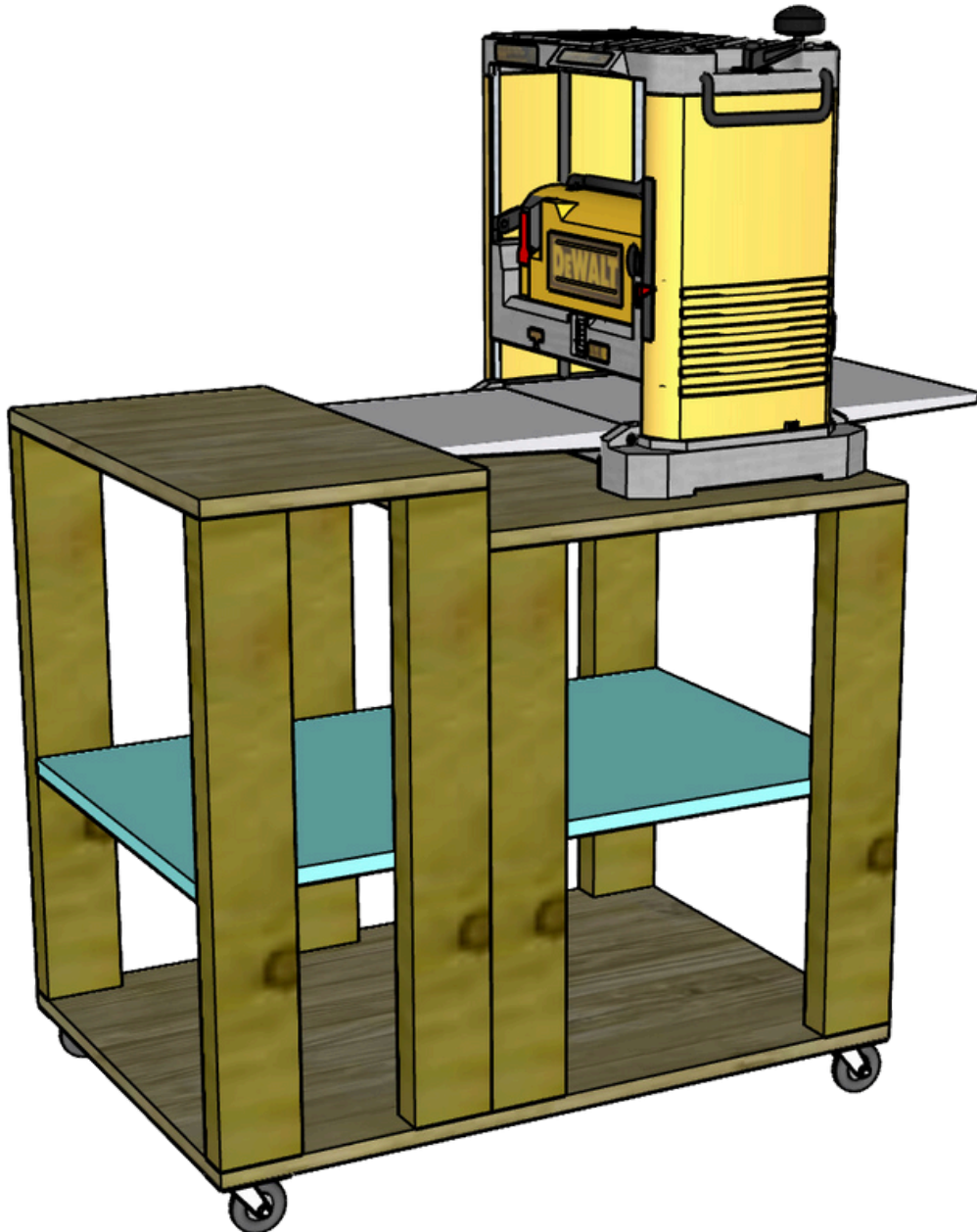
- Place your planer on the Planer Base and open its attach outfeed base and push that up against the Outfeed Base of the table.
- Secure planer into the Planer Base with screws.
- Slide shop vac under the table and attach the hose to the planer.



---

## STEP EIGHT- OPTIONAL SHELF

- You can also add an optional Shelf from the cut list and attach this in the middle of the planer table legs if you'd rather have this than the shop vac.



---

# FINAL STEP- ENJOY!

- Enjoy your handiwork and tag @CharlestonCrafted on Instagram with a picture!

Charleston  
Crafted

**These plans are for personal use only and are meant to serve as a guide to build. Sean and Morgan McBride and The Charleston Crafted Blog LLC do not assume any responsibility or liability arising from the misuse of these plans or injuries that occur during the construction or use of your product.**