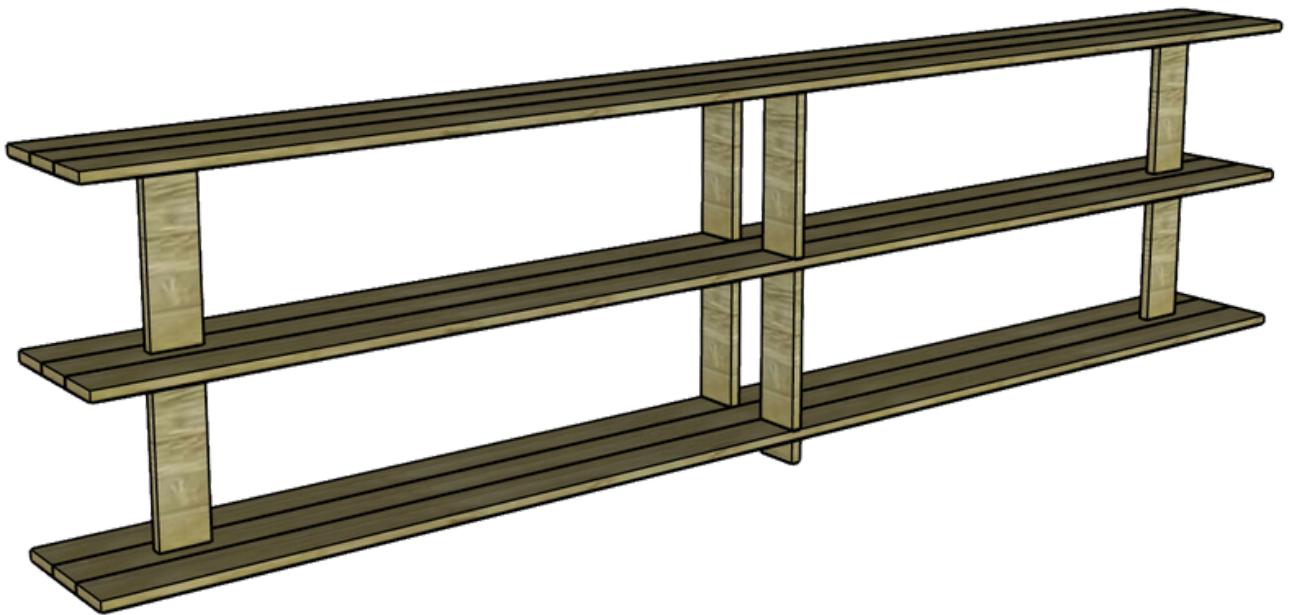


Charleston Crafted

# MIDCENTURY SOFA TABLE



---

**PLANS CREATED BY CHARLESTON CRAFTED**

FOR MORE INFORMATION ON THIS PLAN VISIT:

[WWW.CHARLESTONCRAFTED.COM](http://WWW.CHARLESTONCRAFTED.COM)

## INTRODUCTION

This midcentury modern sofa table is a great addition to any home! Add this behind your couch as a decor piece or to bump your couch off the wall a bit. The shelves offer a ton of storage opportunities or a way to display decor.

The plans are easy to follow, but please contact [Sean@CharlestonCrafted.com](mailto:Sean@CharlestonCrafted.com) if you have any questions! If you'd like to see our version live in action, check out our blog post at [www.charlestoncrafted.com](http://www.charlestoncrafted.com)

## SUPPLY LIST

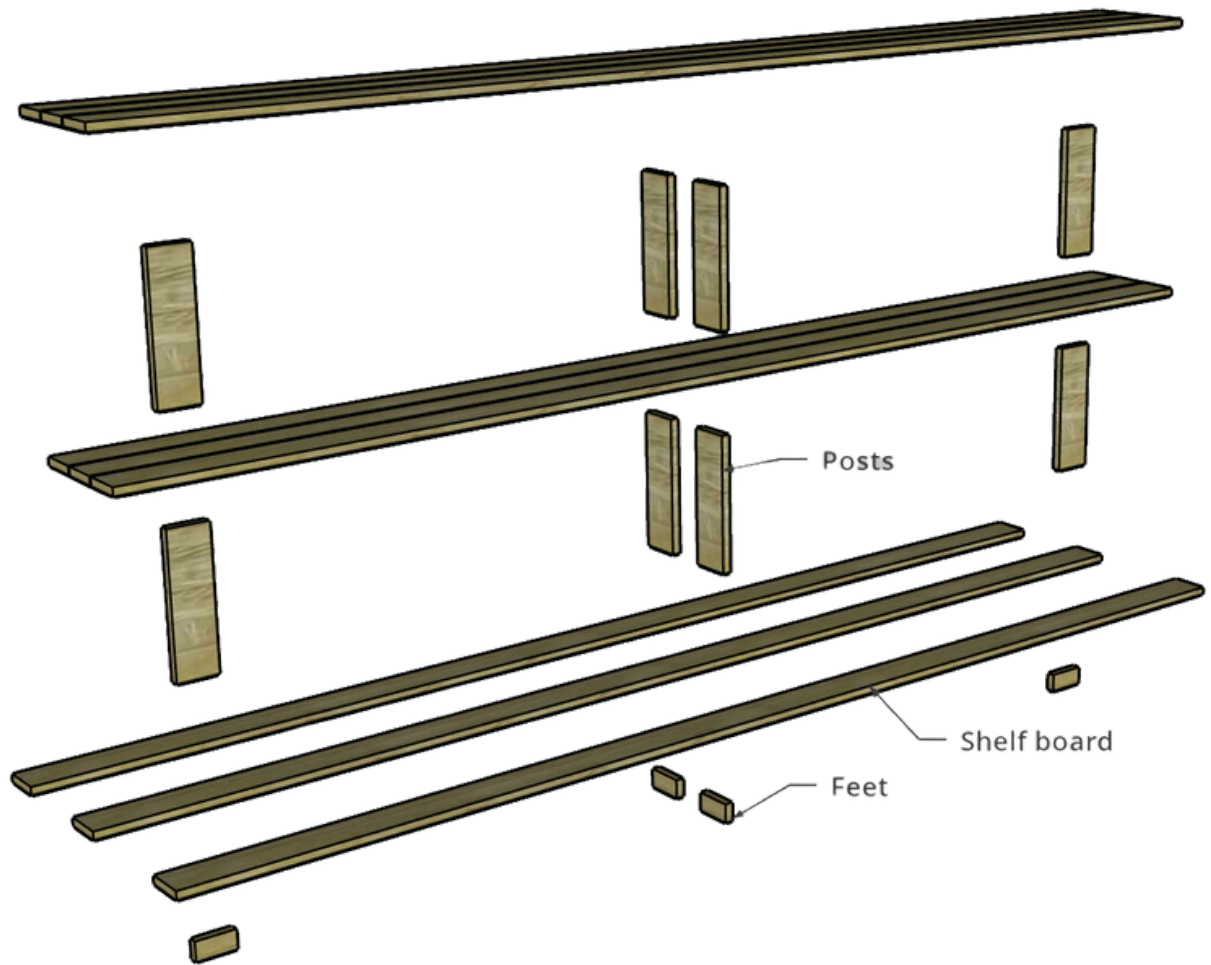
- (9) 3/4" x 3 1/2" x 10' boards (common 1x4s)
- 1 1/4" Kreg pocket hole screws
- Wood glue
- Pocket hole plugs
- Stain or paint
- Polyurethane

## CUT LIST

- (9) Shelf Boards- 107"
- (8) Posts- 12"
- (4) Feet- 1 3/4"
- Note- You can adjust the height of the posts or feet to perfectly fit your couch height. You can also adjust the length of the Shelf Boards to match the length of your couch.

---

# EXPLODED VIEW



---

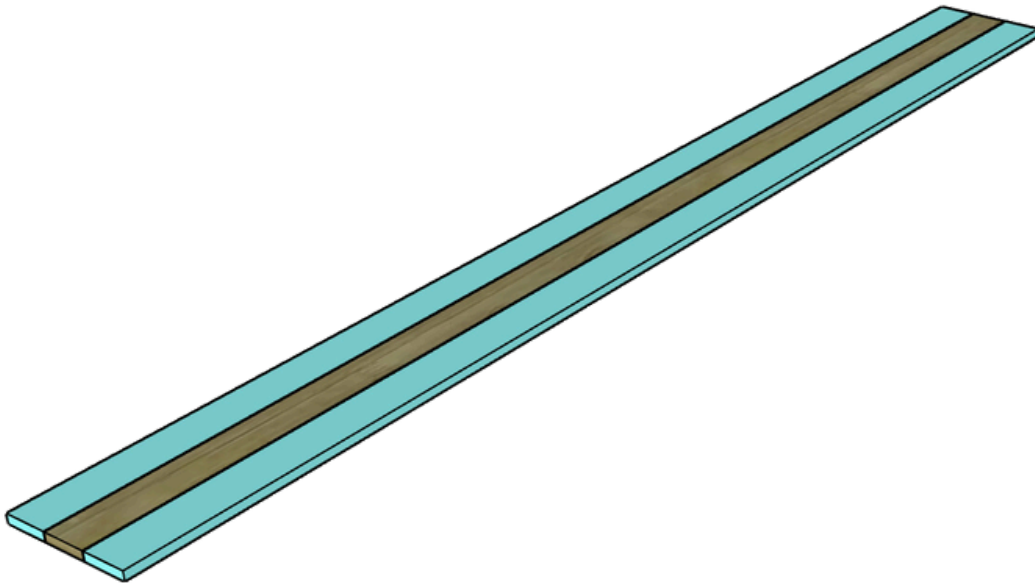
# STEP ONE- DRILL POCKET HOLES

- Start out by pairing together three sets of three Shelf Boards.
- Drilling the following pocket holes:
  - (6) Shelf Boards- five spread out along one long side
  - (3) Shelf Boards- 3 on each side, spread out to not be in line with the pocket holes on the first six boards
  - (8) Posts- two on the each end
  - (4) Feet- two on one end

---

## STEP TWO- CONNECT SHELF BOARDS

- Line up one set of three Shelf Boards upside down so that the two boards with pocket holes on only one side are facing in to the board with holes on both sides.
- Apply wood glue to the edges of the center Shelf Board.
- Clamp all three boards together so that they line up on each end and are smooth and flush along the seams.
- Using pocket hole screws, connect all three boards together.
- Repeat to create two more shelves.



---

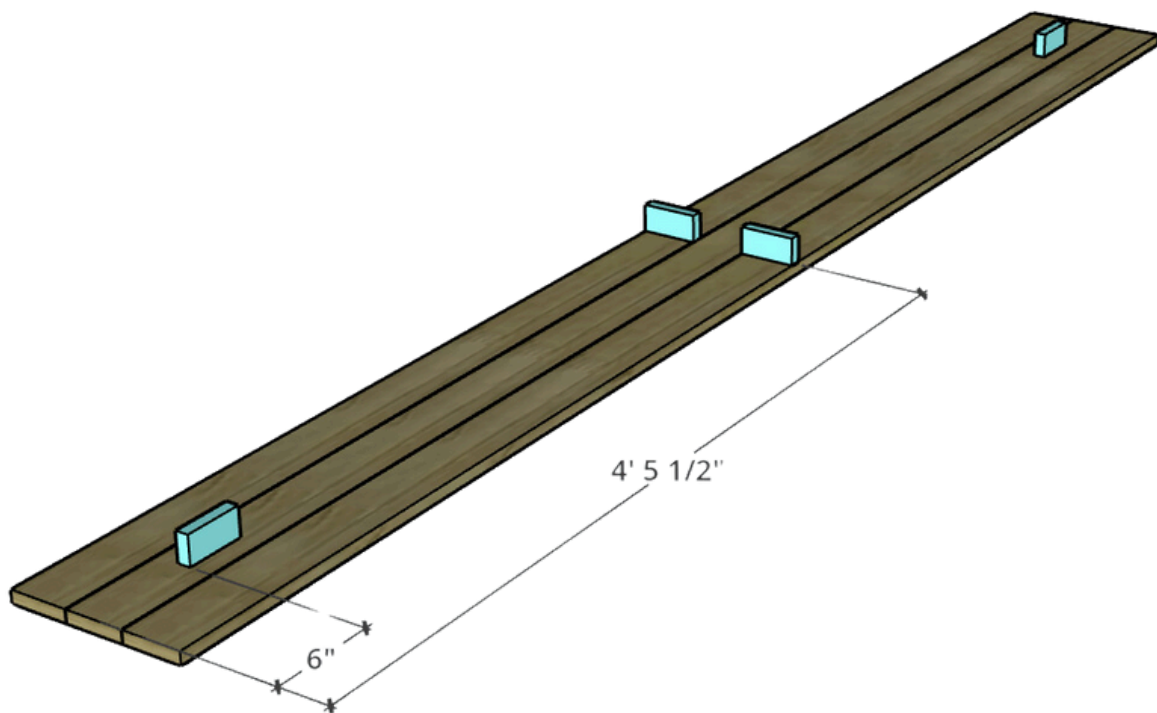
## STEP THREE- TRIM SHELVES

- If you have the tools to do so or if you'd like, run the shelves through a planer to make sure it is perfectly smooth on top.
- Additionally, use a palm router and use a roundover or chamfer bit to trim out the edges.

---

## STEP FOUR- ADD FEET

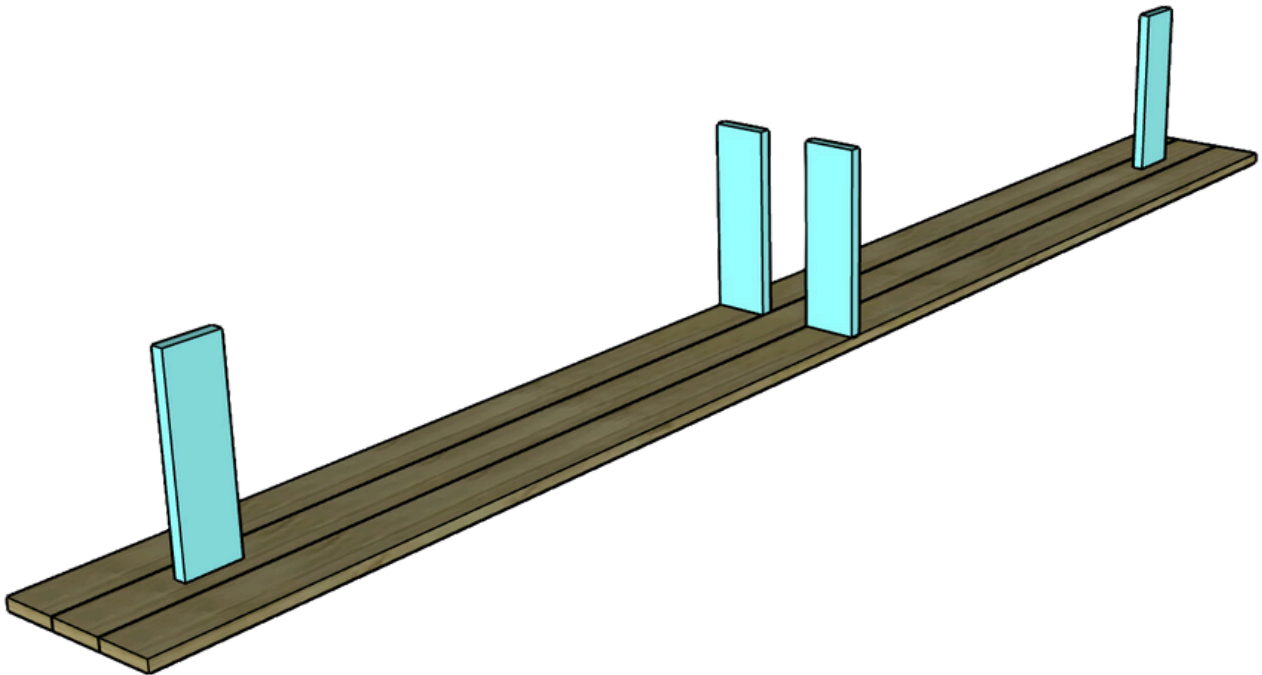
- Flip over one of the shelves so the pocket holes are facing up.
- Using wood glue and pocket hole screws, attach one of the Feet near the end of the shelf so it is centered on the middle board and 6" away from the end. This one should be in line with the boards of the shelf.
- Repeat on the other end.
- For the remaining two Feet, center them along the long edge of the shelf, but have them perpendicular to the Shelf Boards.
- Use wood glue and pocket hole screws to attach these in place, ensuring you put the pocket holes facing the side that is less likely to be frequently-seen.



---

## STEP FIVE- ADD POSTS

- Flip over another of the shelves so the pocket holes are facing up.
- In this step, we'll be aligning the Posts on the shelf in the same place we aligned the Feet on the previous shelf.
- Using wood glue and pocket hole screws, attach one of the Posts near the end of the shelf so it is centered on the middle board and 6" away from the end. This one should be in line with the boards of the shelf.
- Repeat on the other end.
- For the remaining two Posts, center them along the long edge of the shelf, but have them perpendicular to the Shelf Boards.
- Use wood glue and pocket hole screws to attach these in place, ensuring you put the pocket holes facing the side that is less likely to be frequently-seen.

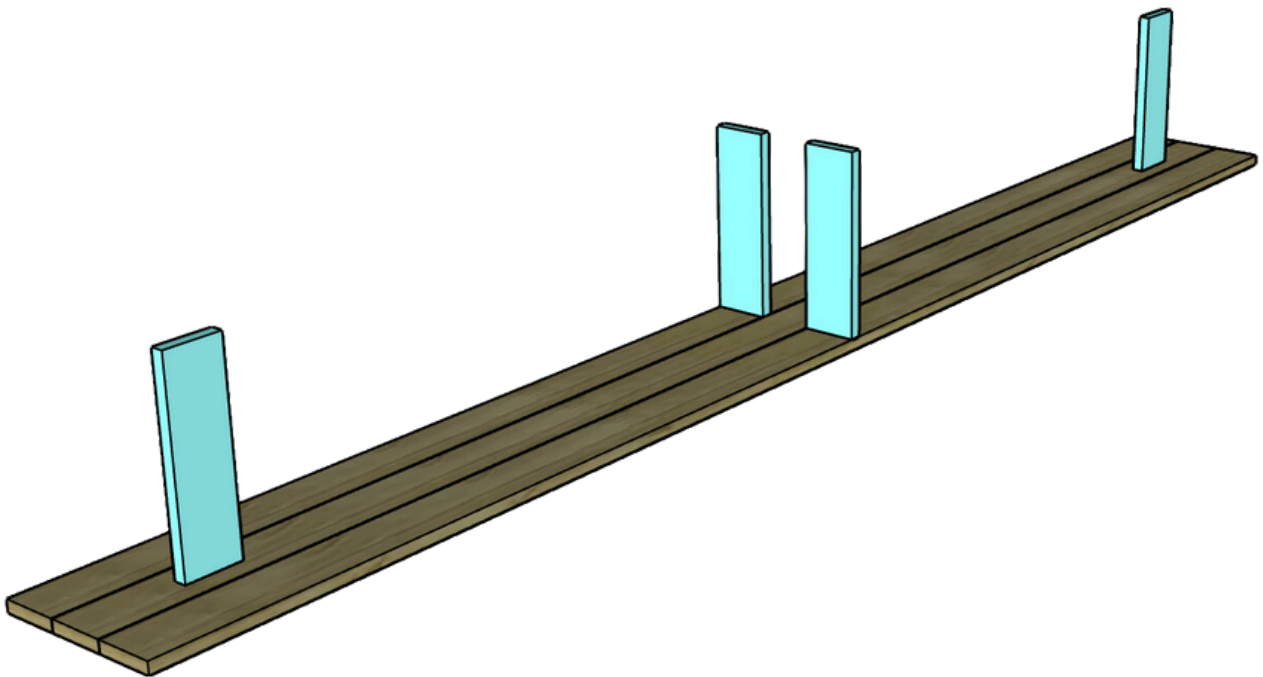




---

# STEP SIX- REPEAT POSTS

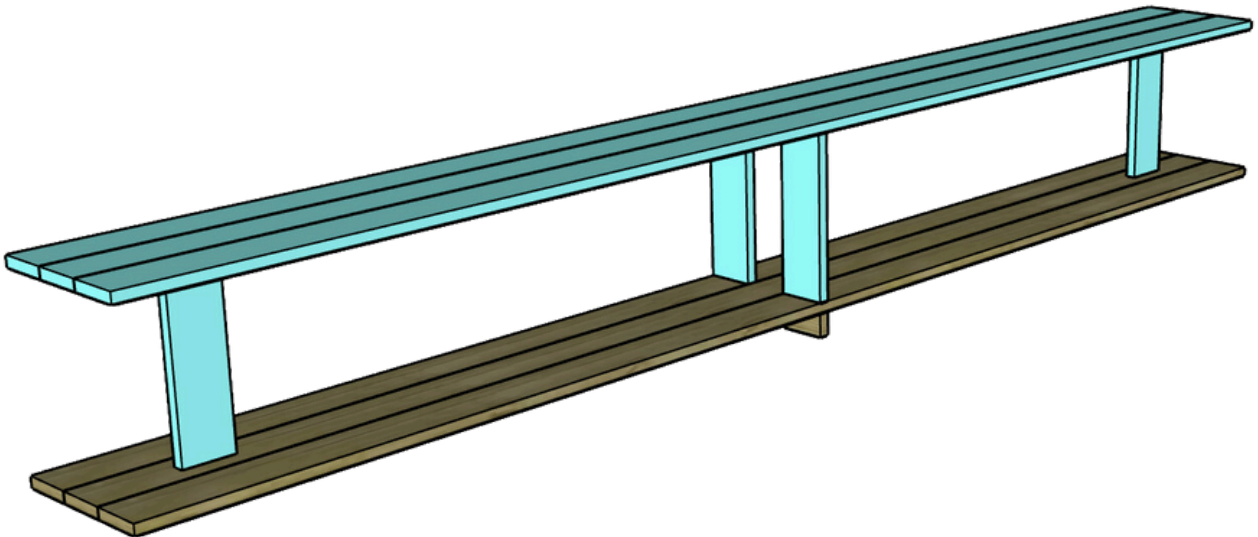
- Repeat Step Five for the remaining shelf and posts.



---

# STEP SEVEN- ATTACH MIDDLE SHELF

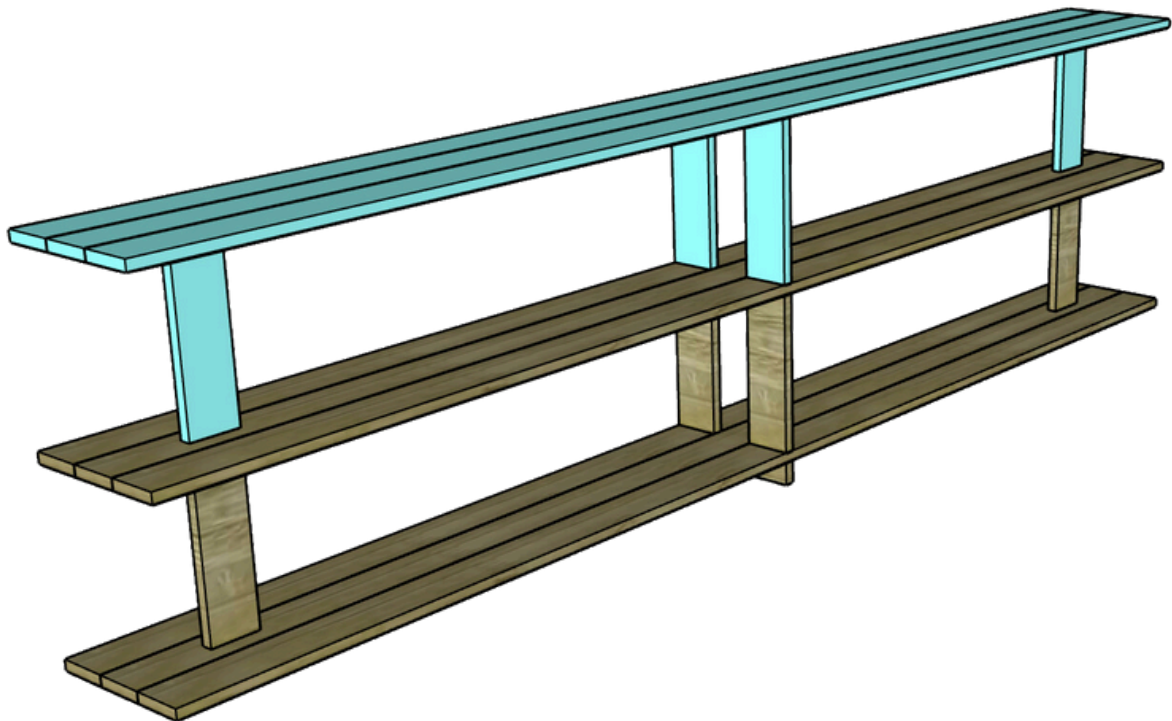
- Flip the lower shelf with the Feet onto the ground.
- Apply wood glue to the bottom of the Posts on the middle shelf.
- Flip this shelf onto the bottom shelf aligning it so the middle Posts are on the edges of the lower shelf and the side Posts are 6" away from the edge.
- Use pocket hole screws to attach in place.



---

# STEP EIGHT- ATTACH TOP SHELF

- Repeat Step Seven to attach the top shelf to the middle shelf.



---

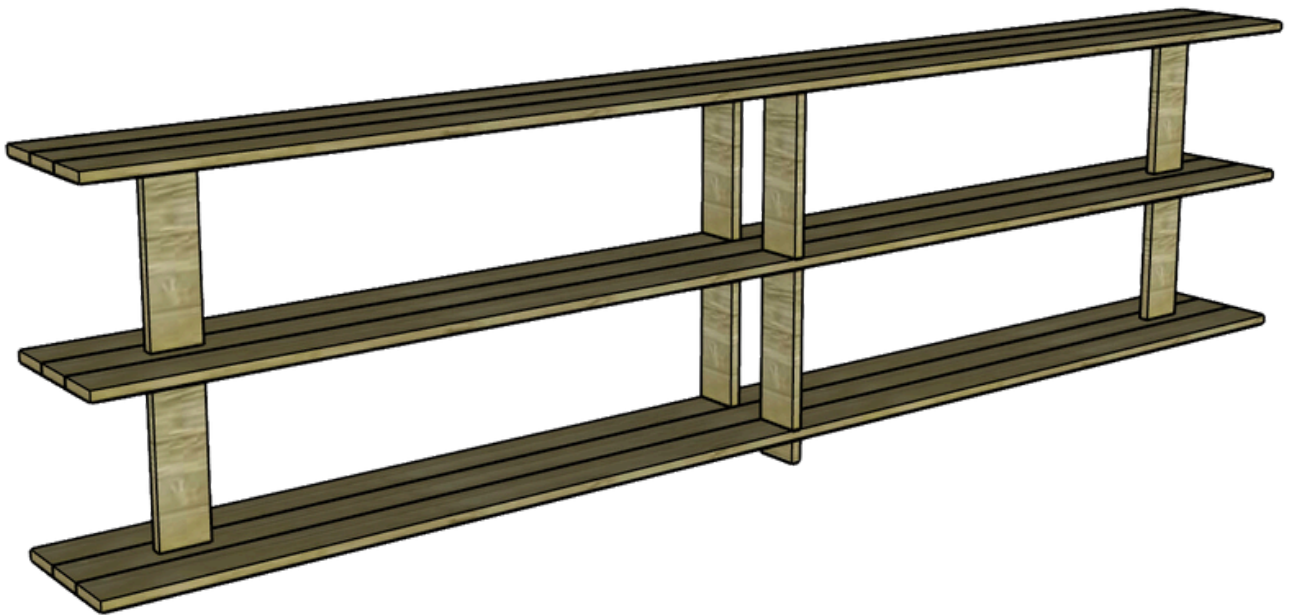
## STEP NINE- FILL POCKET HOLES

- Fill your pocket holes on the sides of the middle Posts using pocket hole plugs, wood glue and a sander.

---

# STEP 10- STAIN OR PAINT

- Add whatever stain or paint you want for your aesthetic.
- Add a coat of polyurethane to help protect the shelves from wear and tear.



---

# FINAL STEP- ENJOY!

- Enjoy your handiwork and tag @CharlestonCraftedBuilds on Instagram with a picture!

Charleston  
Crafted

**These plans are for personal use only and are meant to serve as a guide to build. Sean and Morgan McBride and The Charleston Crafted Blog LLC do not assume any responsibility or liability arising from the misuse of these plans or injuries that occur during the construction or use of your product.**