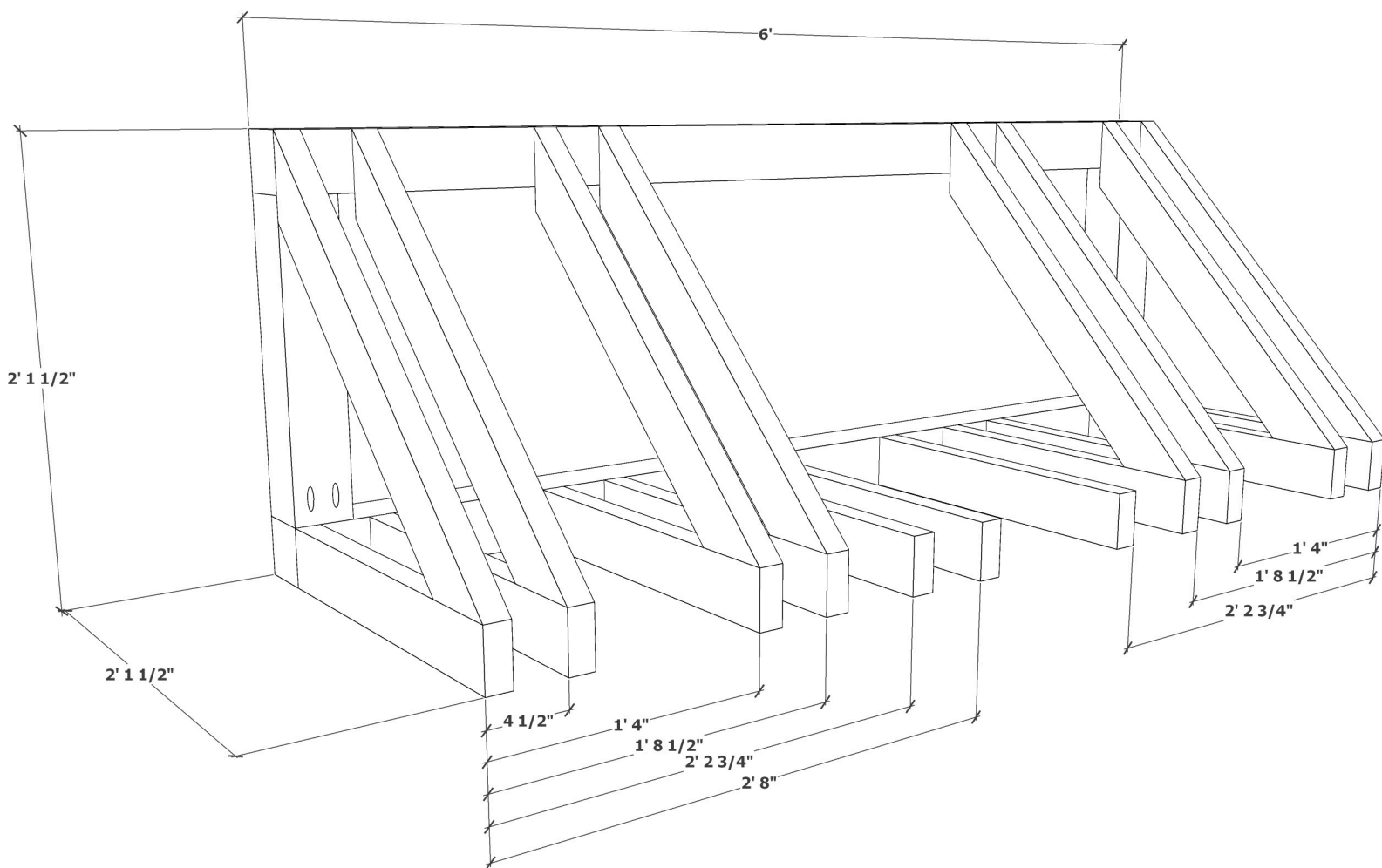


BIKE AND SCOOTER RACK

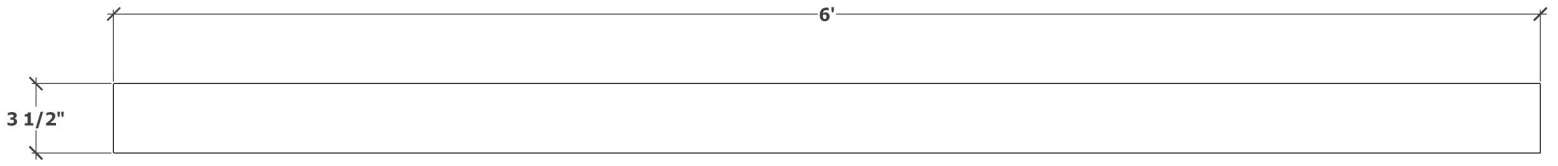
Woodworking Plans

By: Making Manzanita

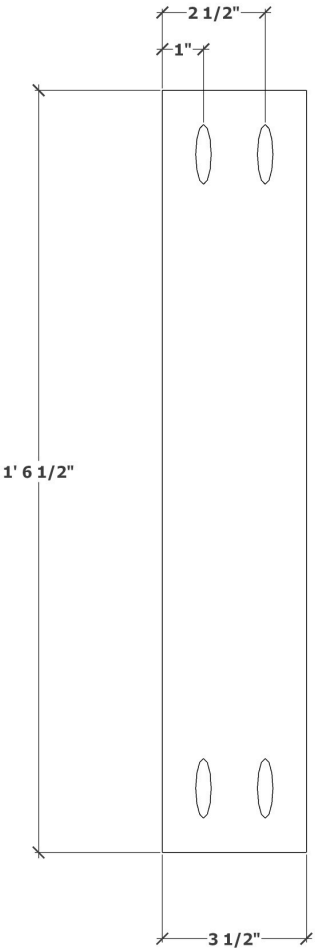


BIKE AND SCOOTER RACK: VISUAL CUT LIST

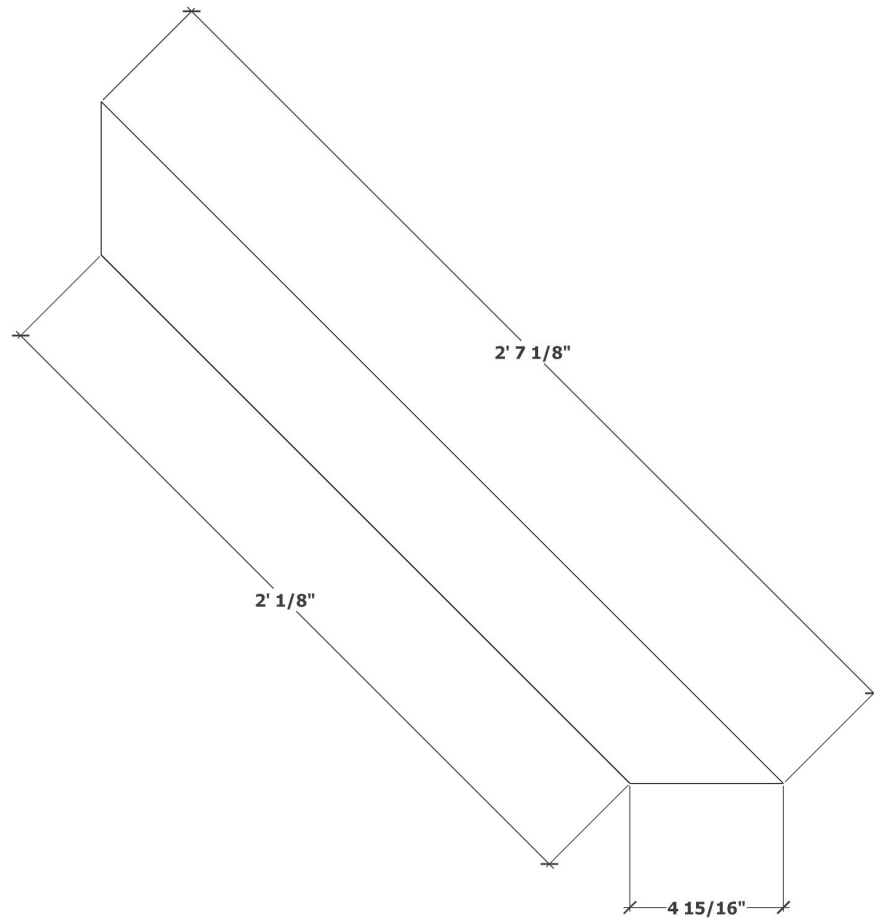
4X4 TOP AND BOTTOM (QTY 2)



4X4 SIDES (QTY 2)



2X4 ANGLED BRACE (QTY 8)



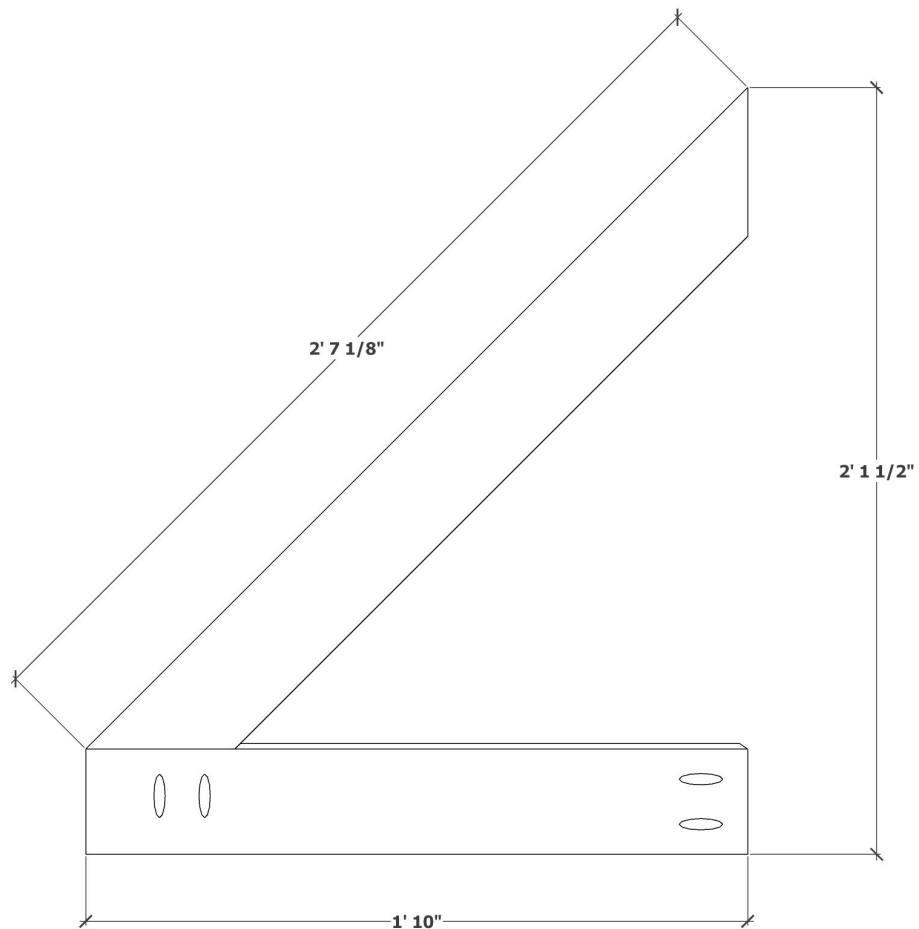
2X4 BOTTOM BRACE (QTY 11)



BIKE AND SCOOTER RACK: 4X4 ASSEMBLY



BIKE AND SCOOTER RACK: CROSS BRACE ASSEMBLY



BIKE AND SCOOTER RACK: ASSEMBLED

