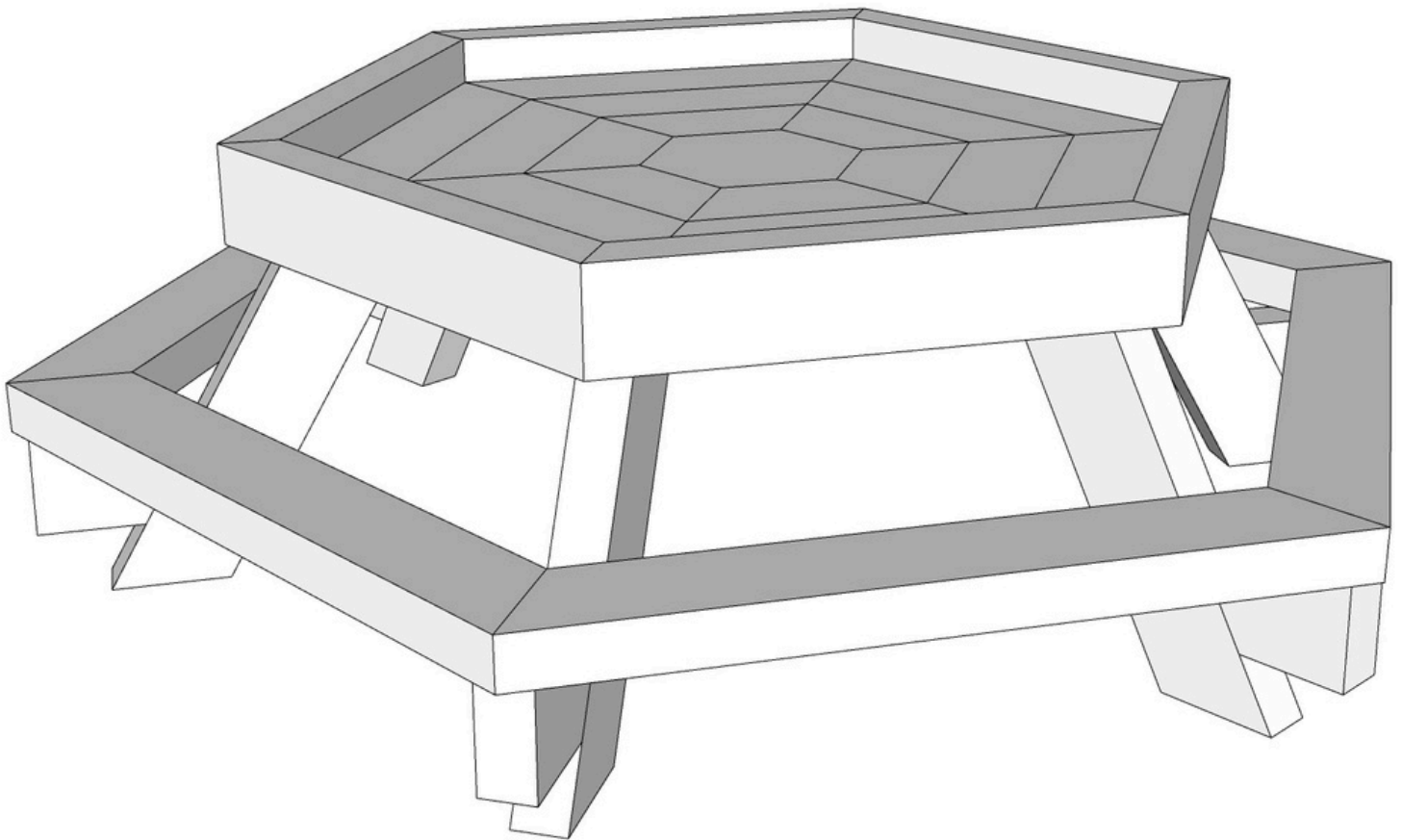


CHICKEN FEEDER

Woodworking Plans

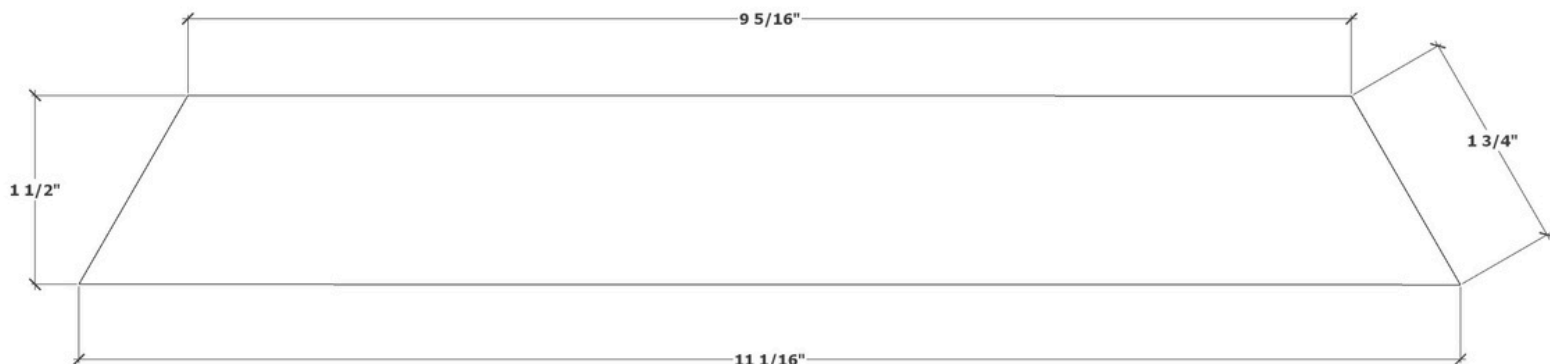
By: Making Manzanita



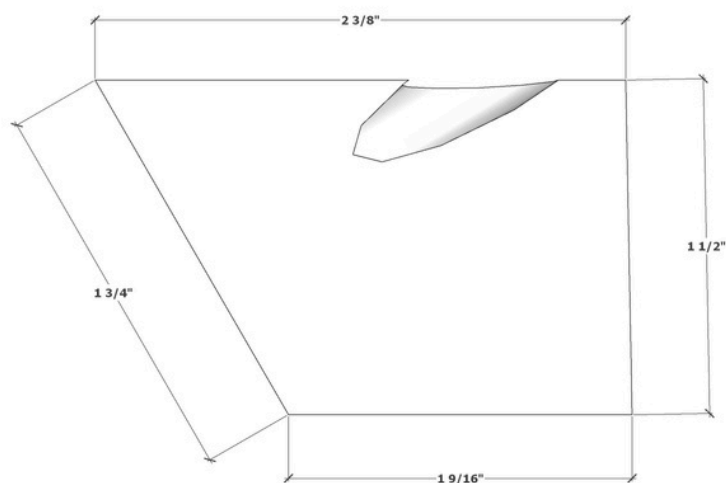
CHICKEN FEEDER: VISUAL CUT LIST

Note: Set miter saw to 30-degrees for all cuts

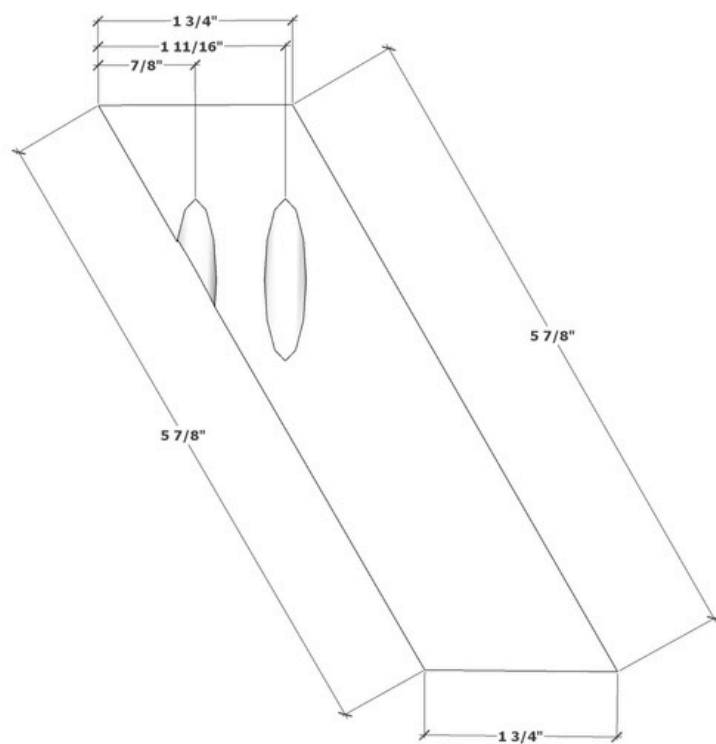
BENCH SEAT (QTY 6)



LEG SUPPORT PIECE (QTY 6)



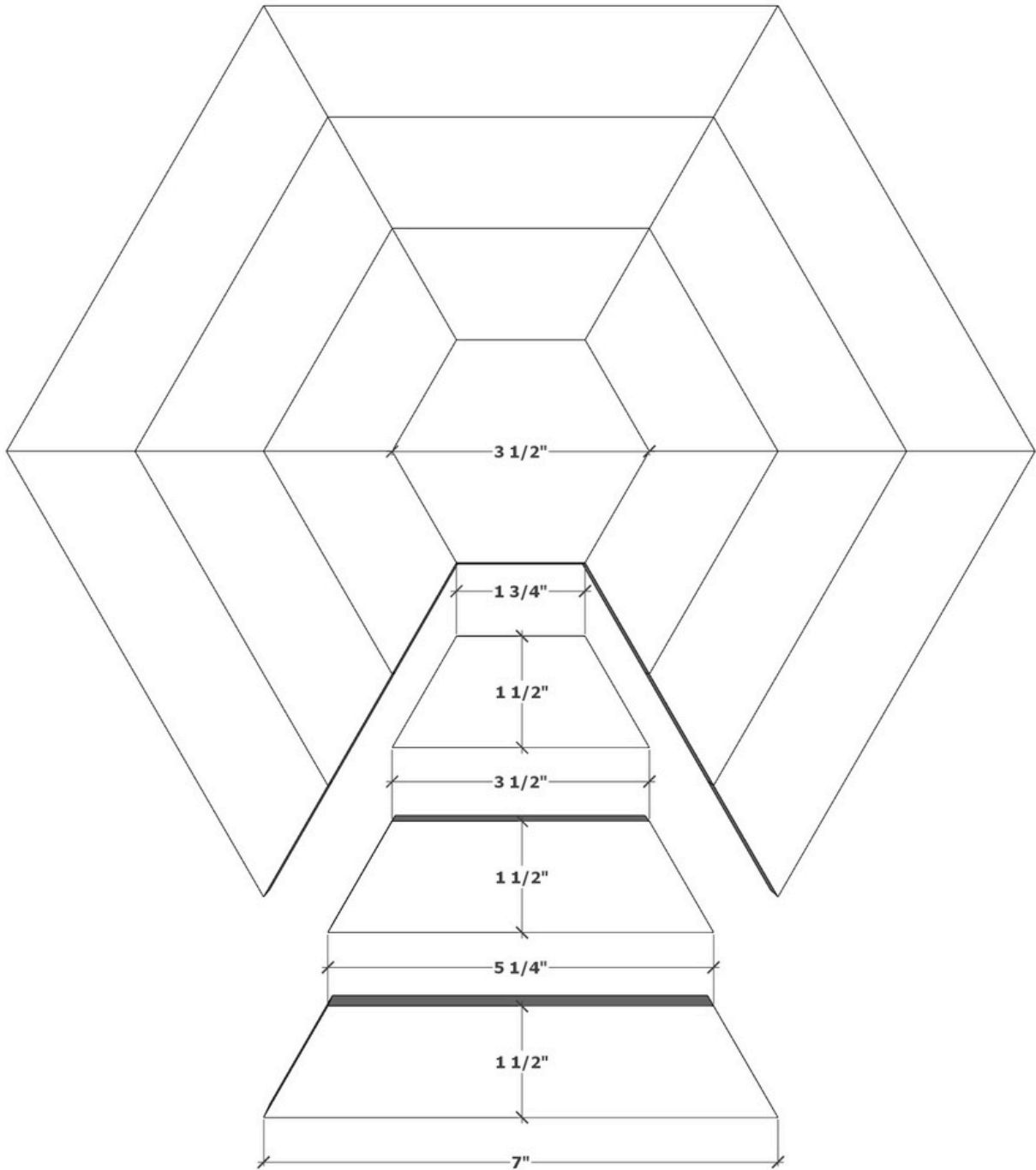
LEG (QTY 6)



TRIM (QTY 6)



CHICKEN FEEDER: VISUAL CUT LIST



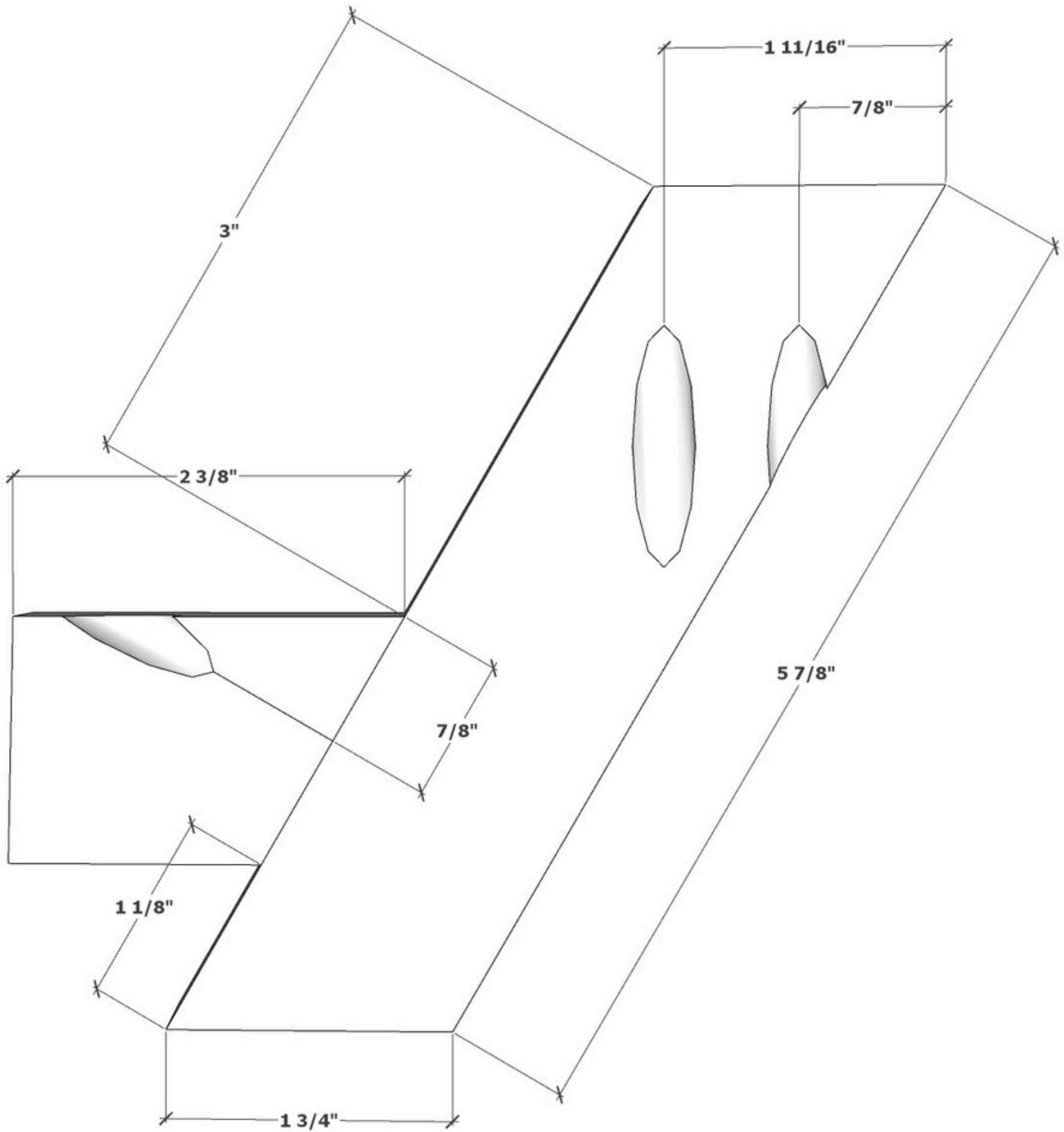
INTERIOR TOP PIECES

QTY 6 OF EACH SIZE

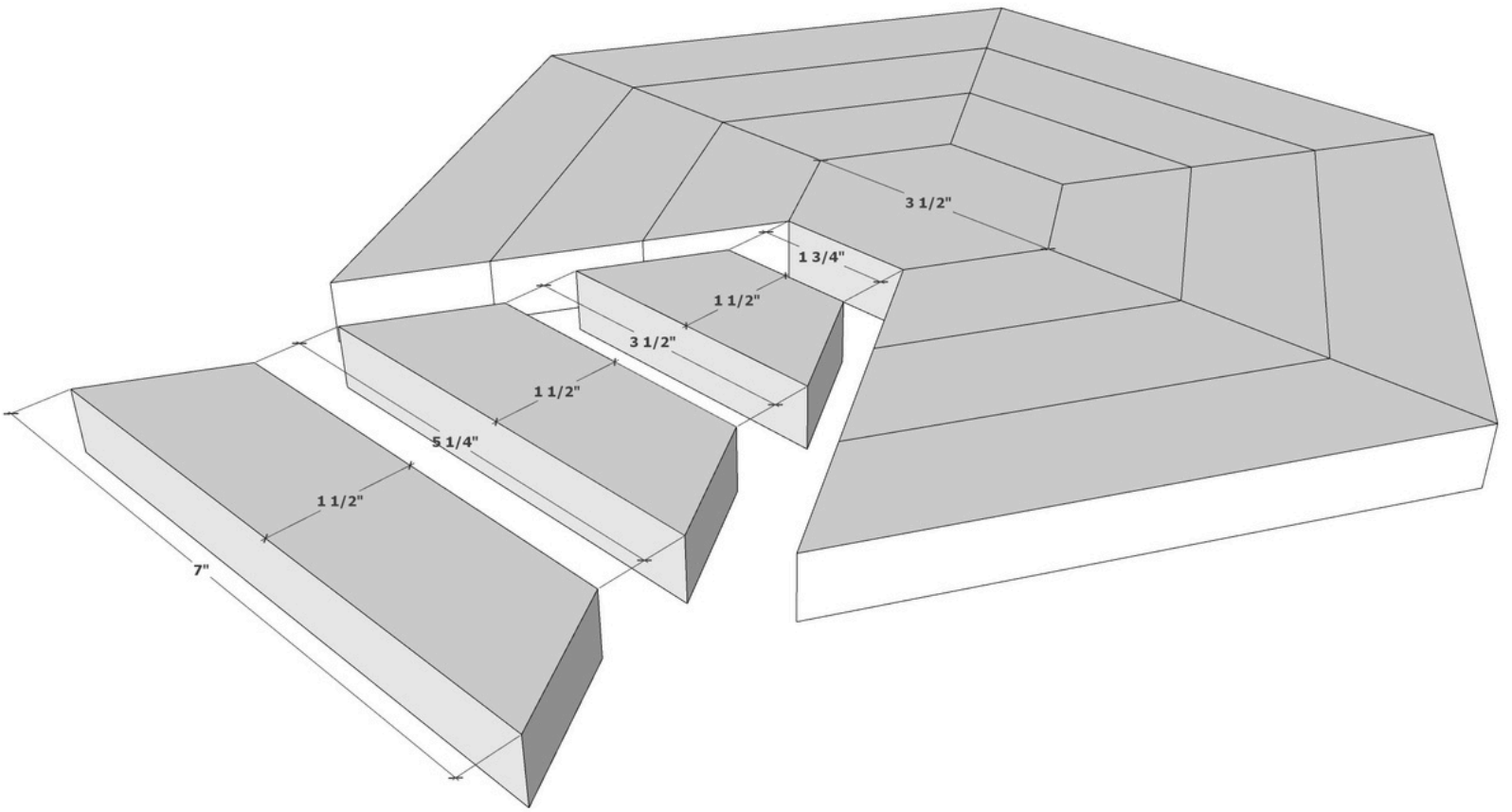
1 MIDDLE PIECE

**Note: Set miter saw to 30-
degrees for all cuts**

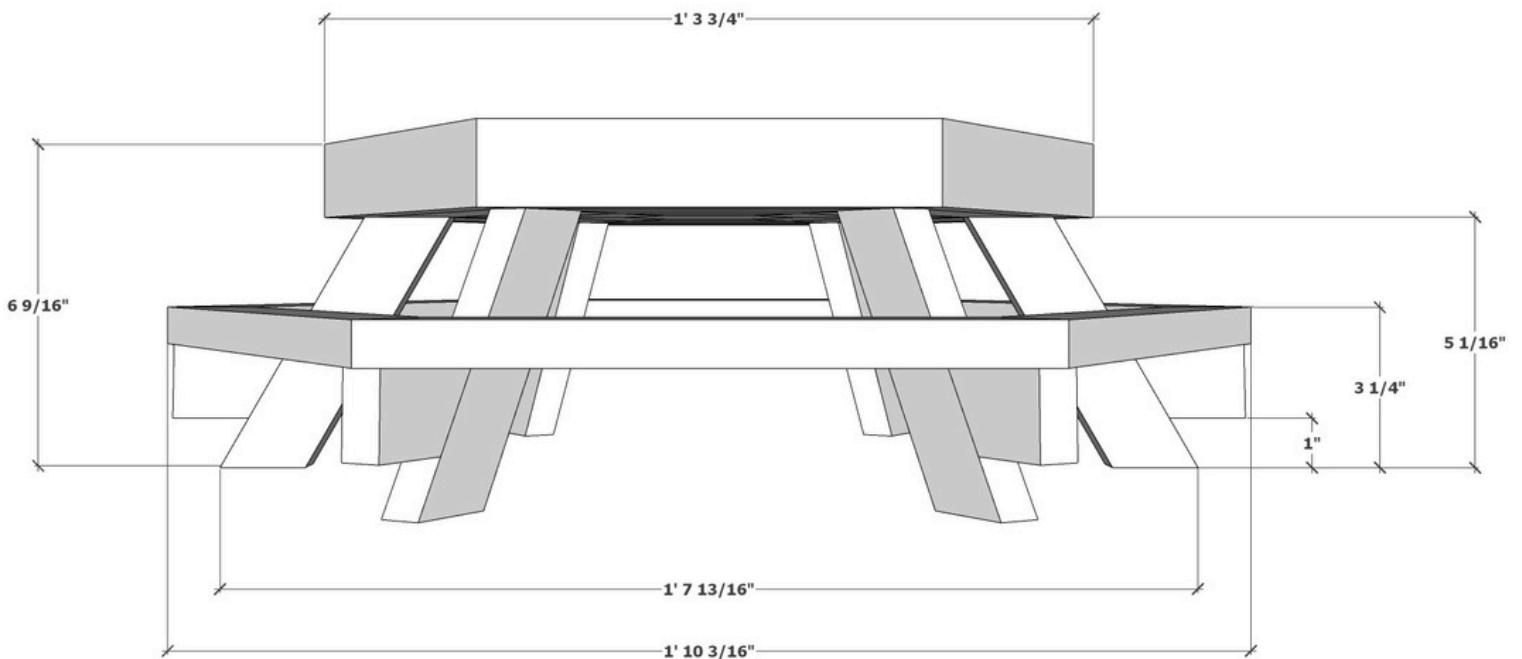
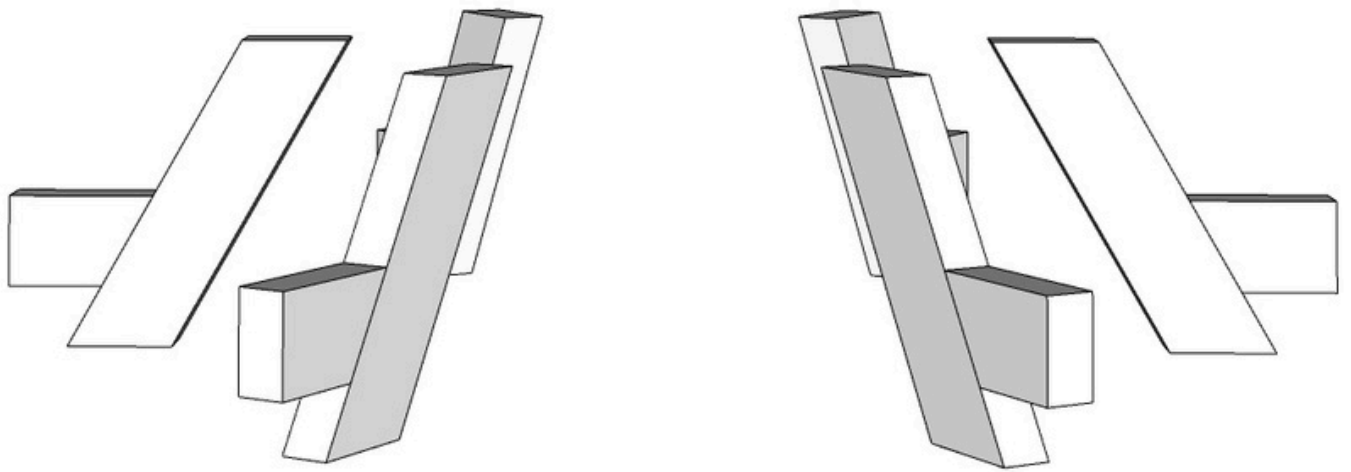
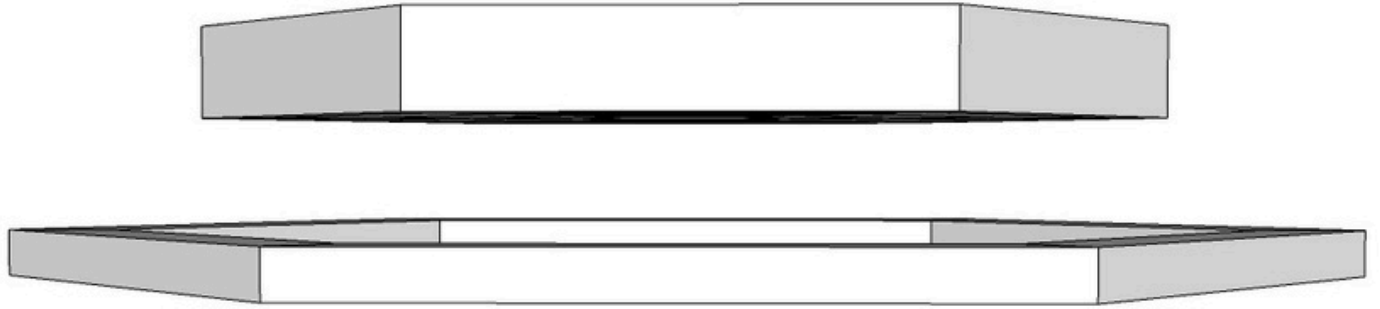
CHICKEN FEEDER: SUPPORT & LEG ASSEMBLY



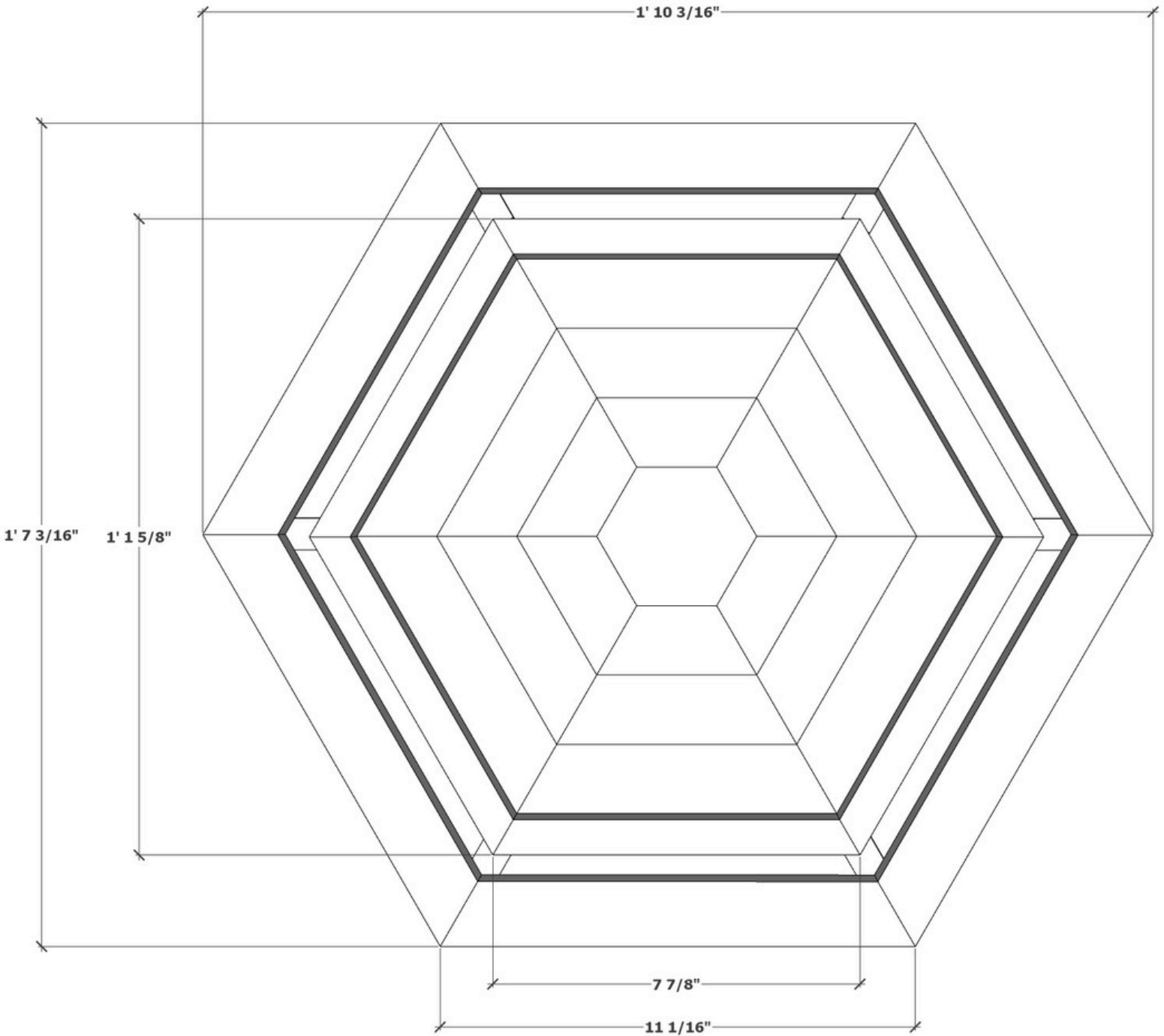
CHICKEN FEEDER: TABLE TOP ASSEMBLY



CHICKEN FEEDER: ASSEMBLY



CHICKEN FEEDER: TOP VIEW



CHICKEN FEEDER: ASSEMBLY

