

# Charleston Crafted

## TRIANGULAR SIDE TABLE



---

**PLANS CREATED BY CHARLESTON CRAFTED**

FOR MORE INFORMATION ON THIS PLAN VISIT:

[WWW.CHARLESTONCRAFTED.COM](http://WWW.CHARLESTONCRAFTED.COM)

## INTRODUCTION

Check out how we built this simple DIY modern triangular side table with a place to display your books and set your drink. It's a great rustic modern look you'll love!

The plans are easy to follow, but please contact [Sean@CharlestonCrafted.com](mailto:Sean@CharlestonCrafted.com) if you have any questions! If you'd like to see our version live in action, check out our blog post at [www.charlestoncrafted.com](http://www.charlestoncrafted.com)

## SUPPLY LIST

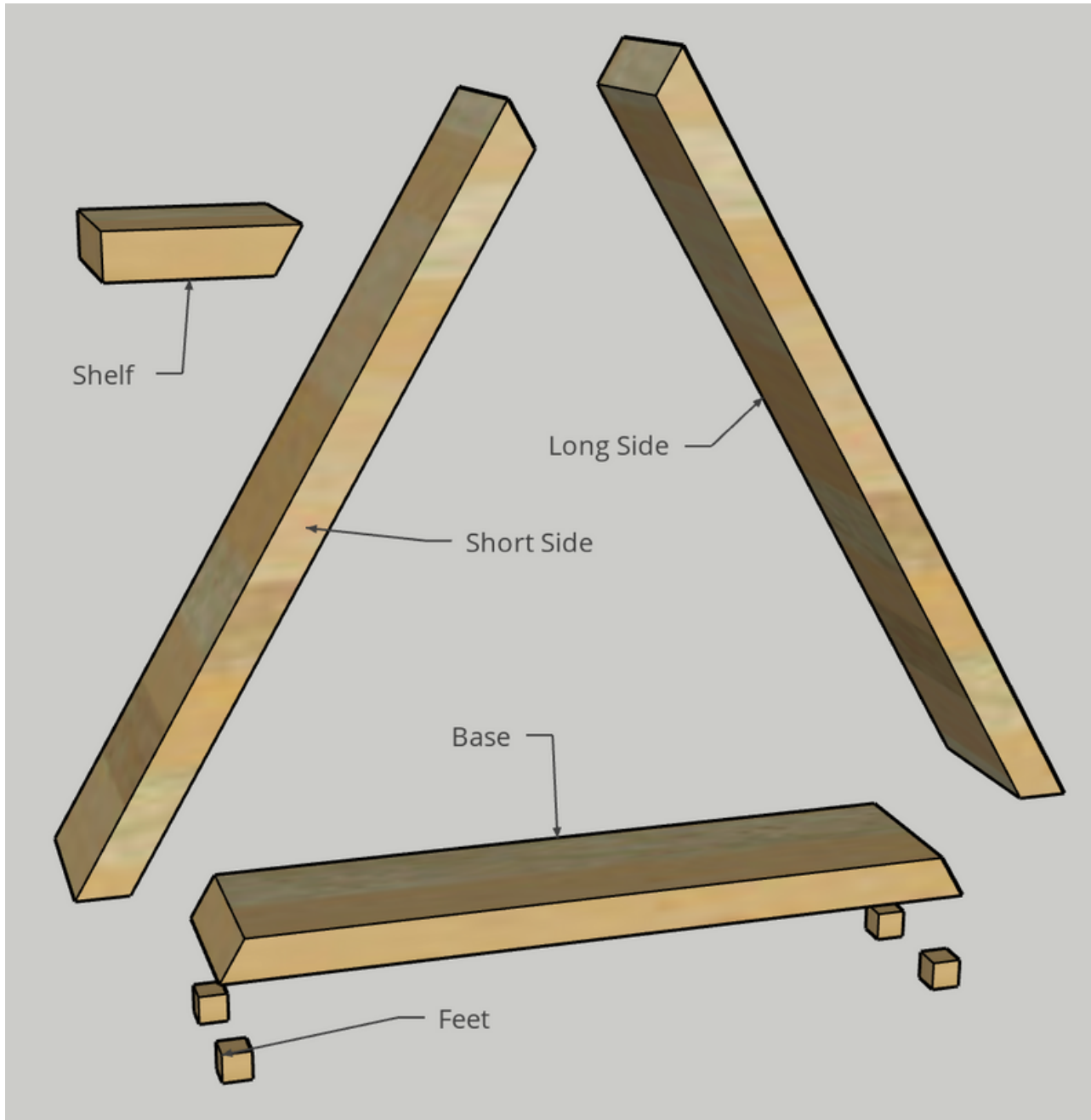
- (1) 8' x 5 1/2" x 1 1/2" butcher block or other chunky wood
- (6) 2 1/2" Kreg screws
- (4) 1 1/2" Kreg screws
- [Wood glue](#)

## CUT LIST

- (1) Base- 26 1/2" x 3 1/2" x 1 1/2"
- (1) Short Side- 28 1/4" x 3 1/2" x 1 1/2"
- (1) Long Side- 30" x 3 1/2" x 1 1/2"
- (1) Shelf- 6" x 3 1/2" x 1 1/2"
- (4) Feet- 1" x 1" x 1"
- \*note- Cut 30 degree opposing bevels on each end of the Base, Short Side and Long Side, with the length of the long edge equal to the length shown in the cut list. Additionally, do a 30 degree bevel on one end of the Shelf with the long side being 6".

---

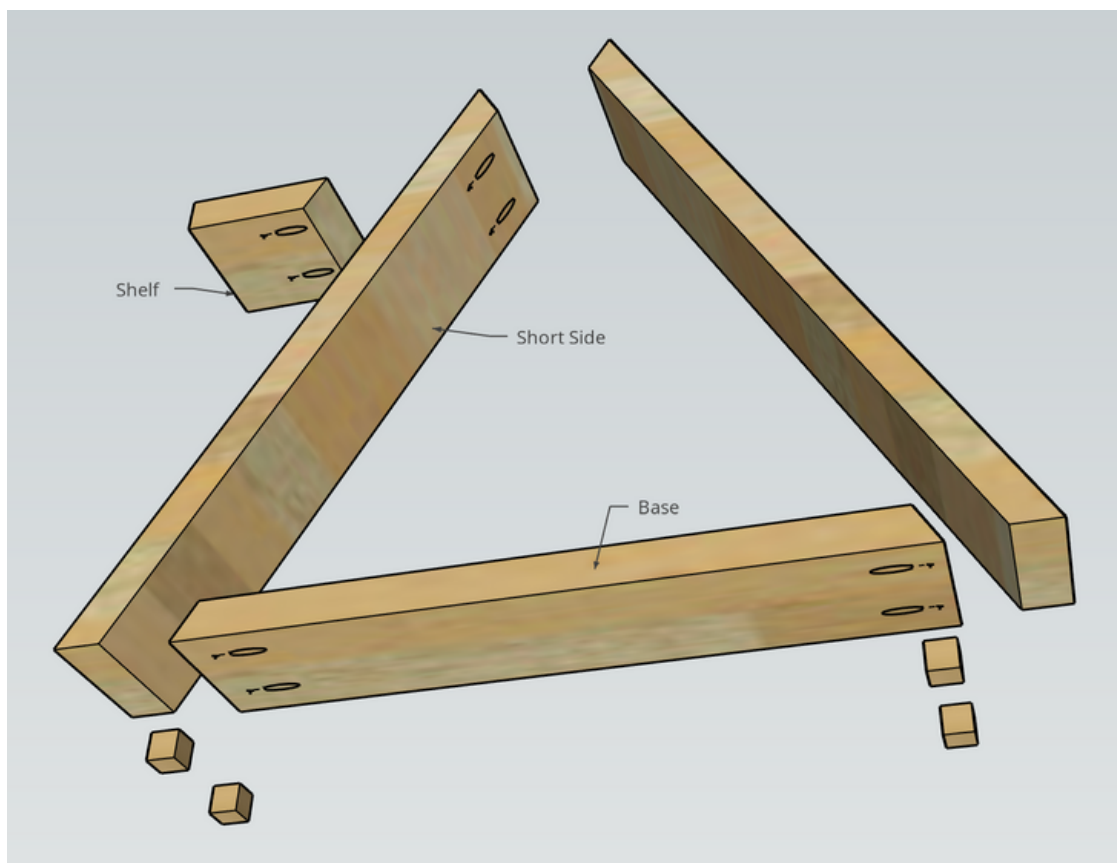
# EXPLODED VIEW



---

# STEP ONE- DRILL POCKET HOLES

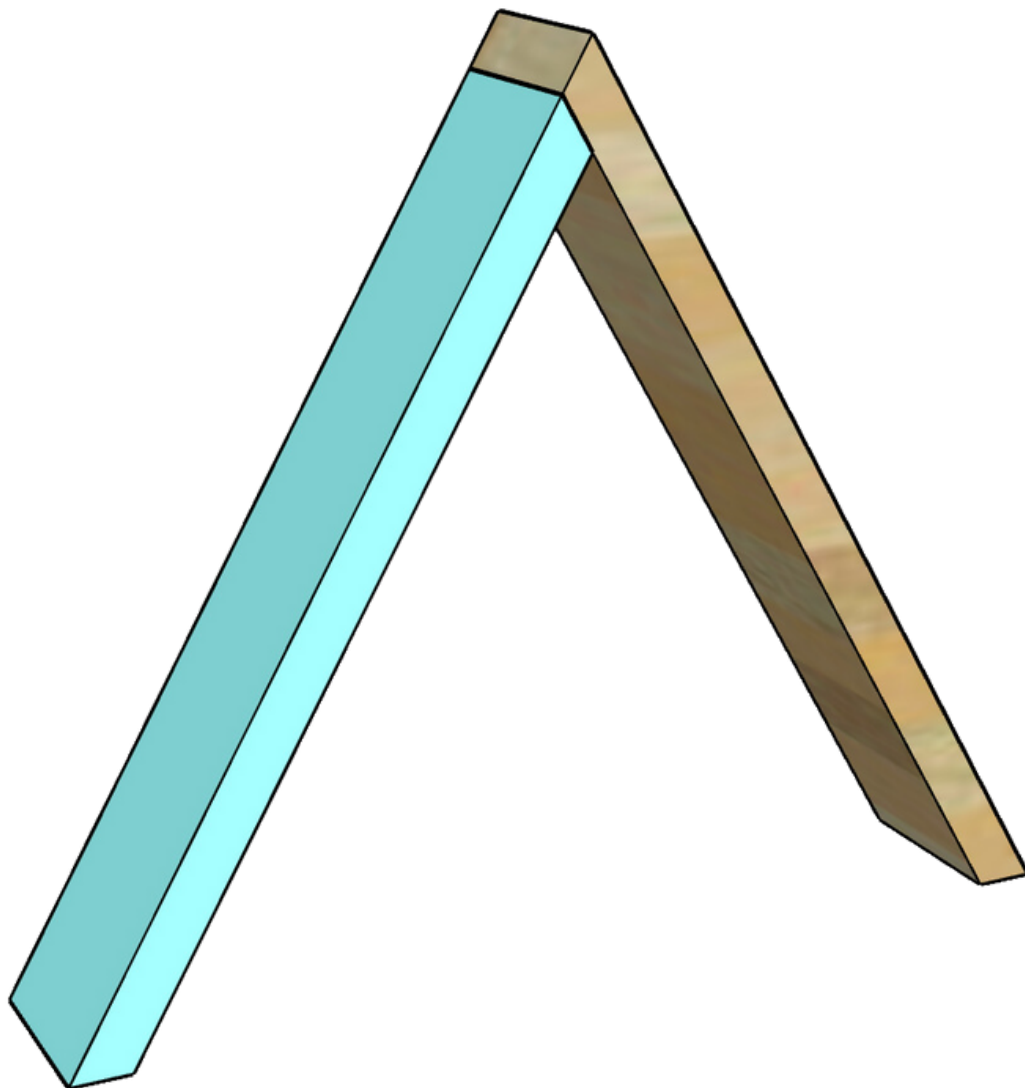
- Start by drilling all your pocket holes using your favorite Kreg pocket hole jig. For this project, the sturdy base of the 720 might be the best bet, but you can use whatever jig you have.
- Drill two pocket holes on each end of the long side of the Base.
- Drill two pocket holes on one end of the short side of the Short Side.
- Drill two pocket holes on the short side on the angled end of the Shelf.
- Additionally, drill a pilot hole and counter sink hole through each of the Feet.



---

## STEP TWO- CONNECT SIDES

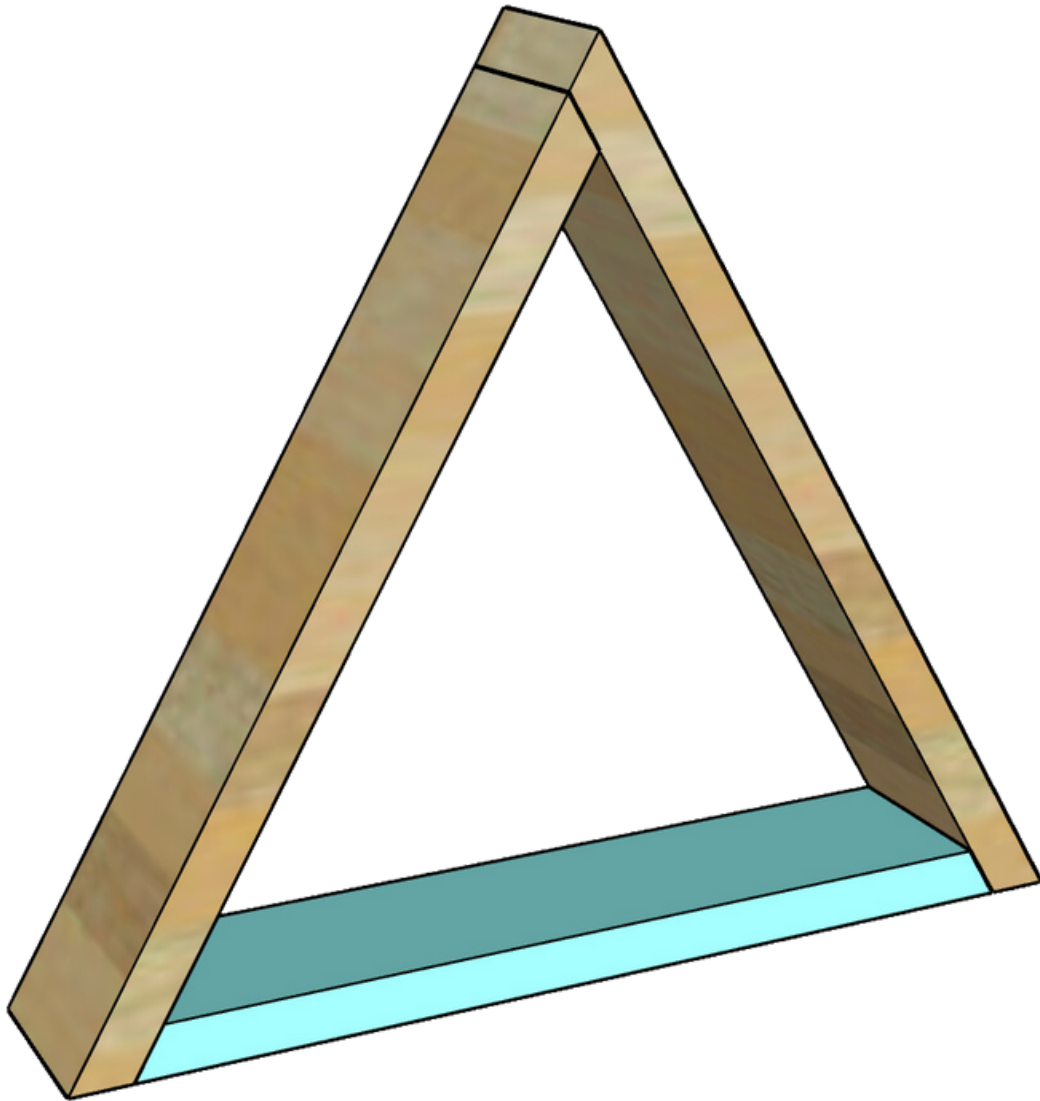
- Using wood glue and pocket hole screws, attach the end of the Short Side with pocket holes to the end of the Long Side so that their angles align.



---

## STEP THREE- ATTACH BASE TO SIDES

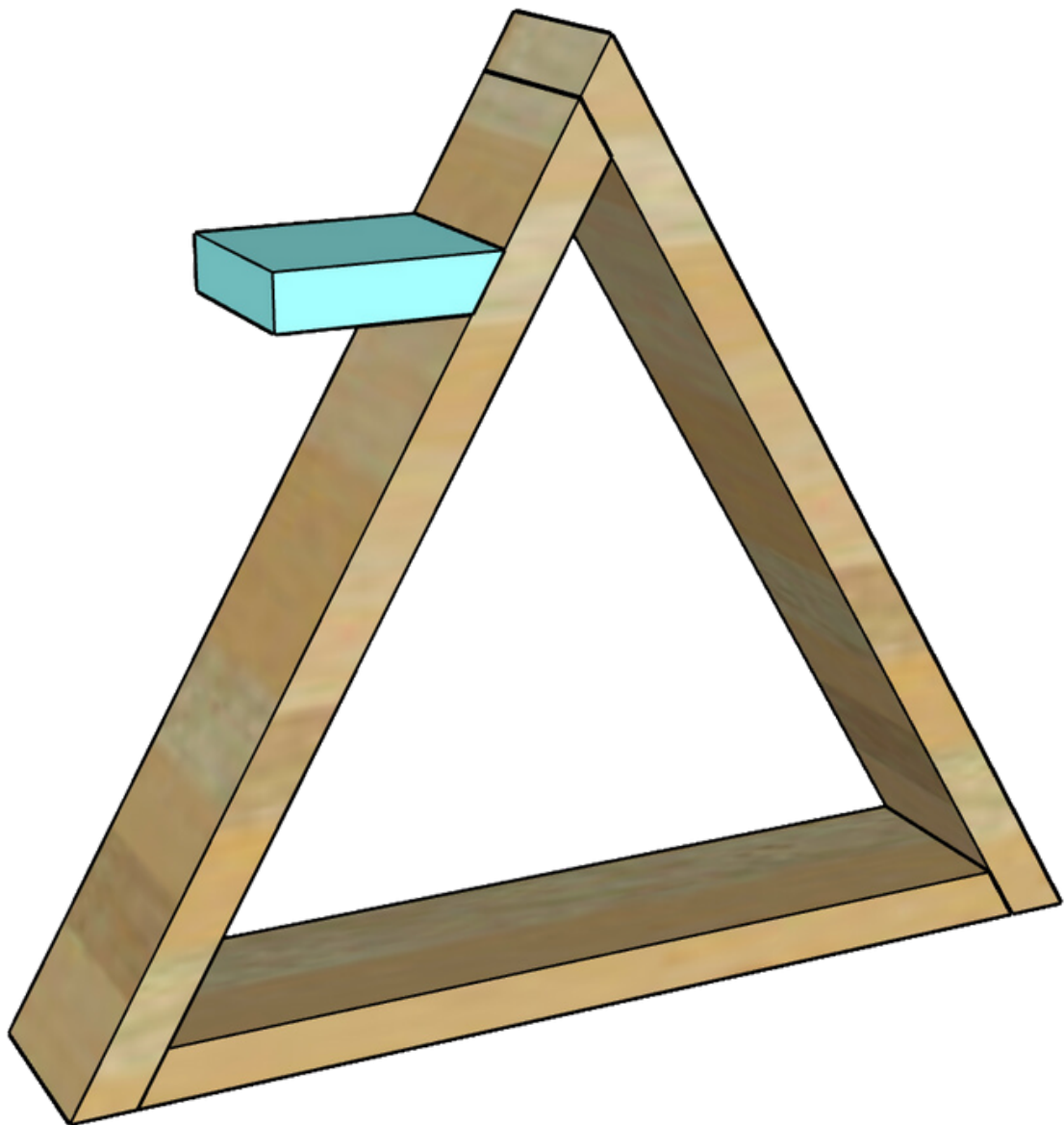
- Using wood glue and pocket hole screws, attach the Base to the two sides so that it aligns flush at the bottom.



---

## STEP FOUR- ATTACH SHELF

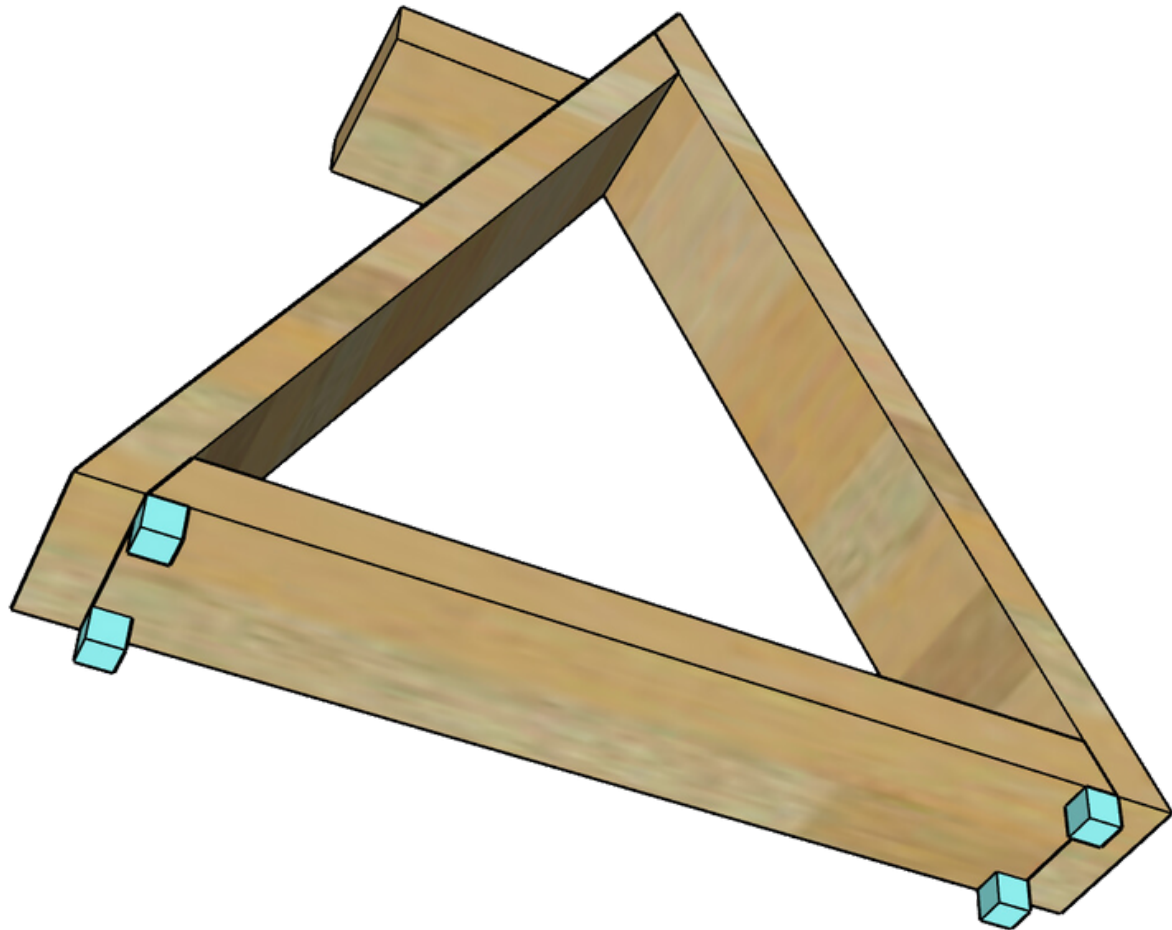
- Using wood glue and pocket hole screws, attach the Shelf to the Short Side at a height that is appropriate for the chair you plan on having it next to.
- We put ours about 6" down from the peak of the triangle.



---

## STEP FIVE- ATTACH FEET

- Using wood glue and 1 1/2" pocket hole screws, attach the four Feet to the Base at its corners.
- Drill the screws through the pilot holes you drilled in step one and countersink the screw heads.

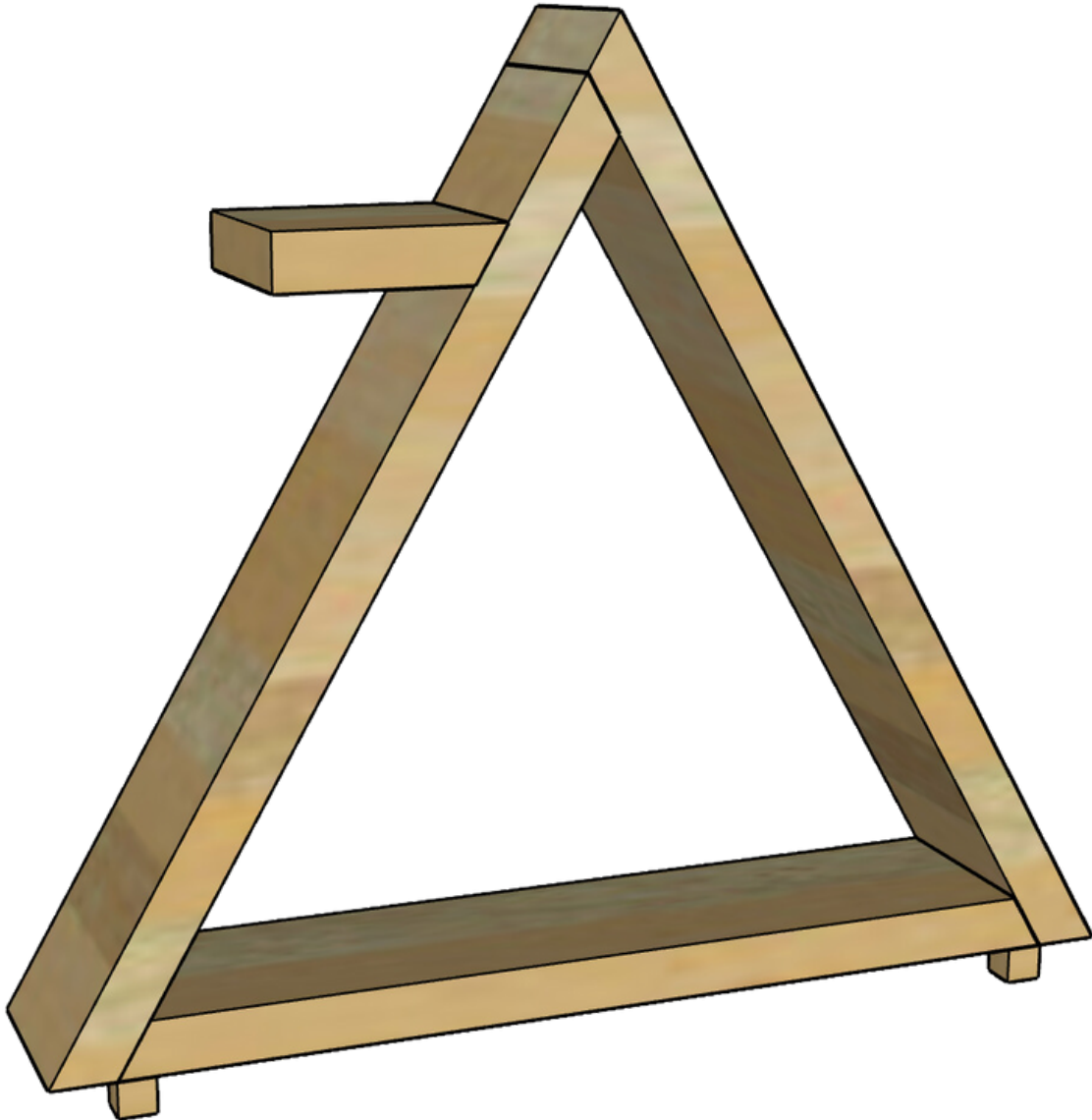




---

# STEP SIX- APPLY OIL OR STAIN

- If you want to oil or stain, do that here!



---

# STEP SEVEN- ADD BOOKS/DECOR

- Align your favorite books or decor on the Base and set your coffee down on the shelf while you read your favorite book!
- Need to stand up? Simply set your open book on the peak of the triangle!



---

# FINAL STEP- ENJOY!

- Enjoy your handiwork and tag @CharlestonCrafted on Instagram with a picture!

Charleston  
Crafted

**These plans are for personal use only and are meant to serve as a guide to build. Sean and Morgan McBride and The Charleston Crafted Blog LLC do not assume any responsibility or liability arising from the misuse of these plans or injuries that occur during the construction or use of your product.**