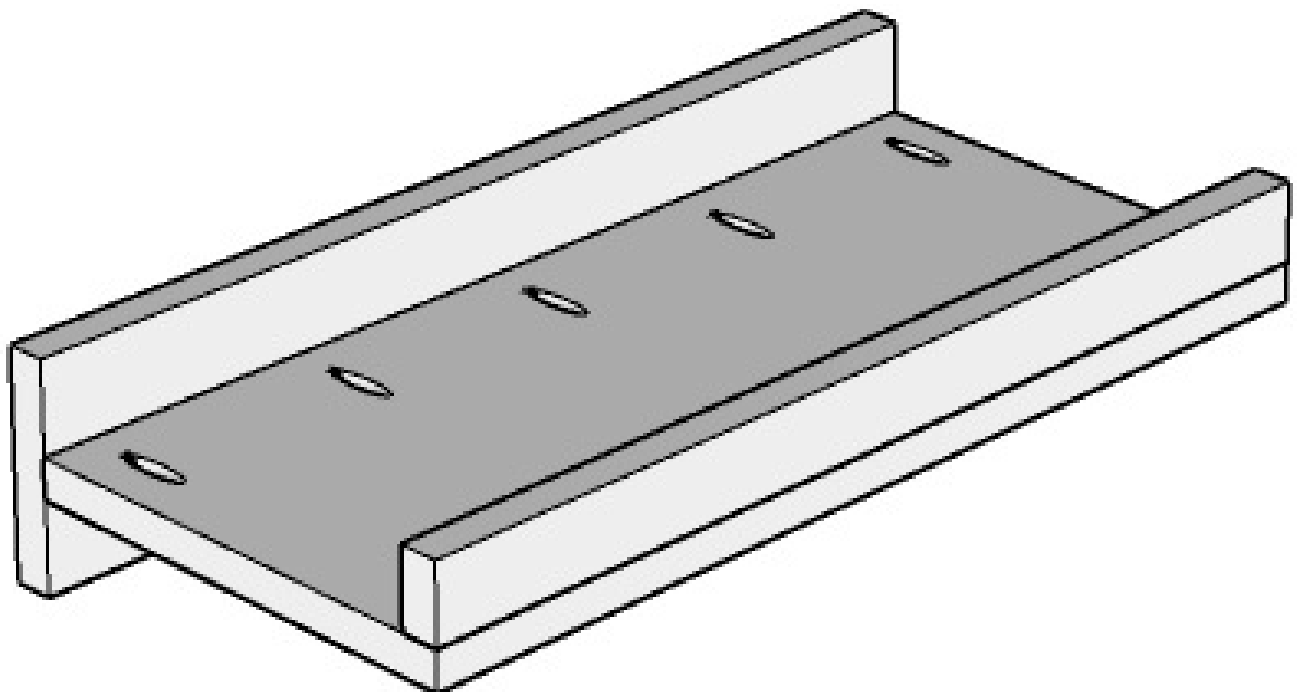
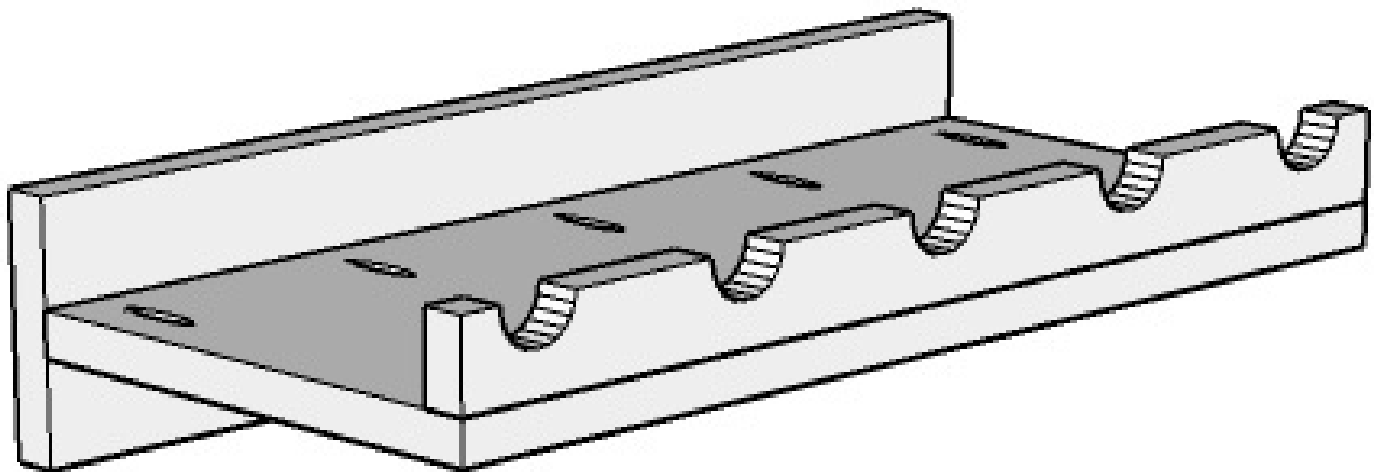


WINE RACK SHELF

Woodworking Plans

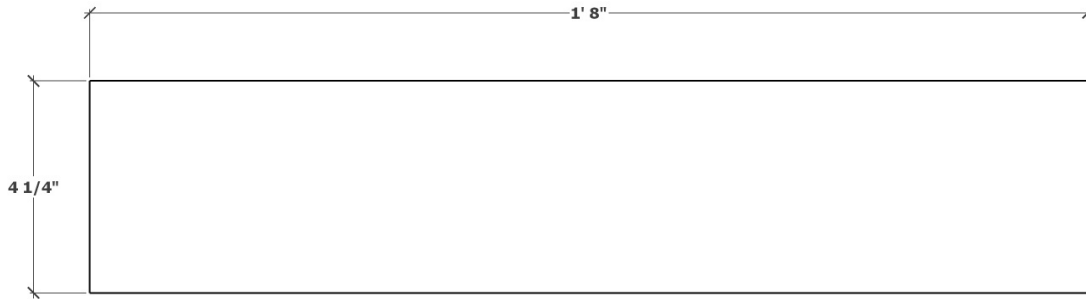
By: Making Manzanita



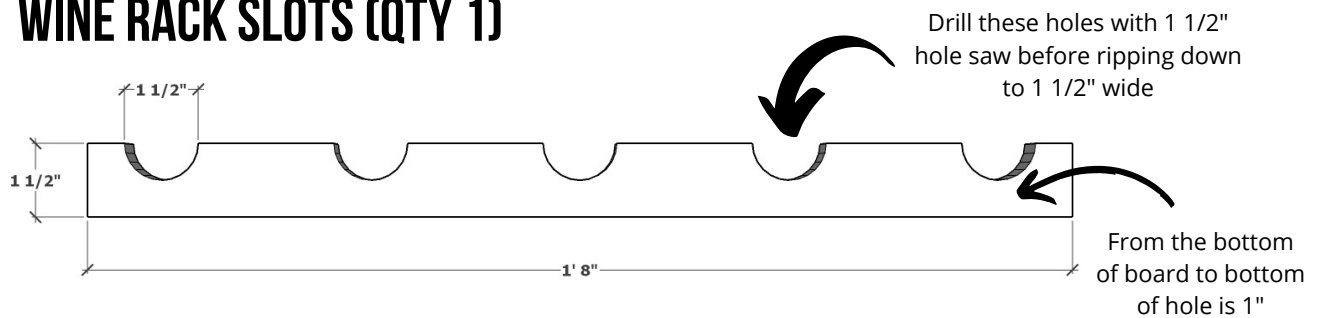
WINE RACK SHELF : VISUAL CUT LIST

Note: This visual cut list is to make 1 shelf with slots for bottles and 1 shelf without slots for storing glasses or other items.

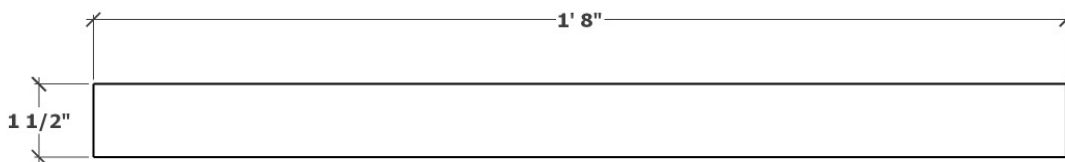
WALL PLATE (QTY 2)



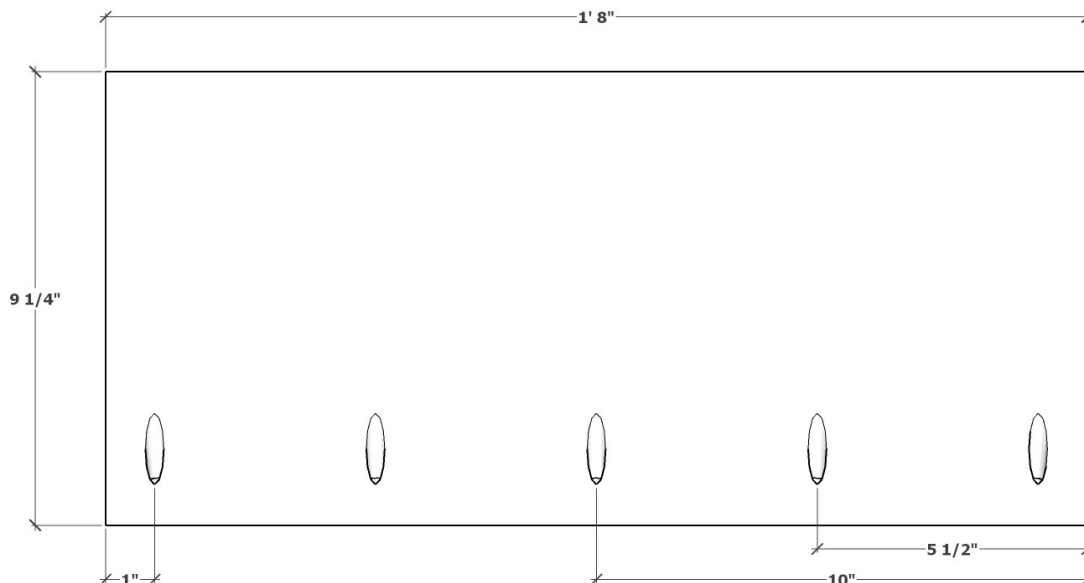
WINE RACK SLOTS (QTY 1)



BOTTOM RAILING (QTY 1)



SHELF (QTY 2)



WINE SHELF RACK: ASSEMBLED

