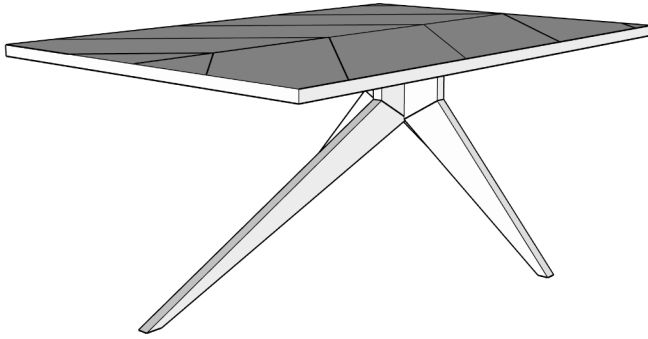
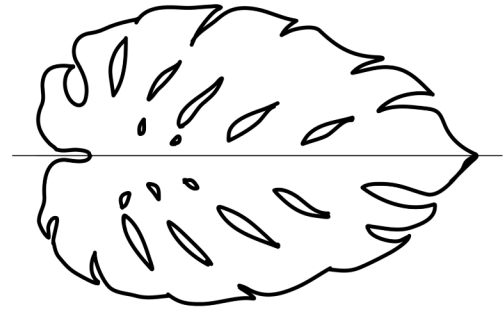


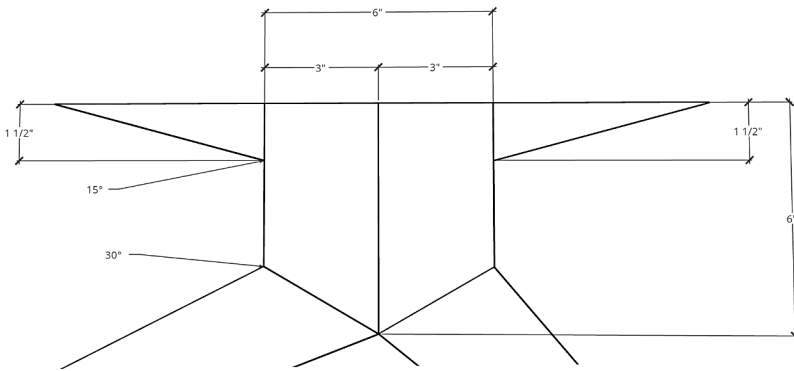
DIY LEAF SHAPED COFFEE TABLE



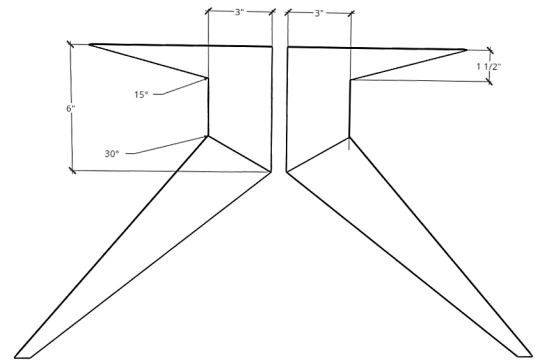
The top I made was from 1x8's (3/4"x7.5" actual). I cut the pieces at 45 degrees on each end to mimic the grain of a leaf. I recommend making the tabletop a little oversize before trimming the outline



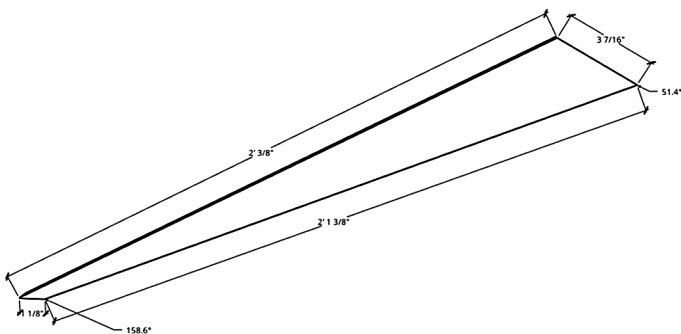
I recommend getting the template printed somewhere that has a large format printer like a fedex / ups / local print shop. It should cost around \$7 . The file is sized to print at 26x48"



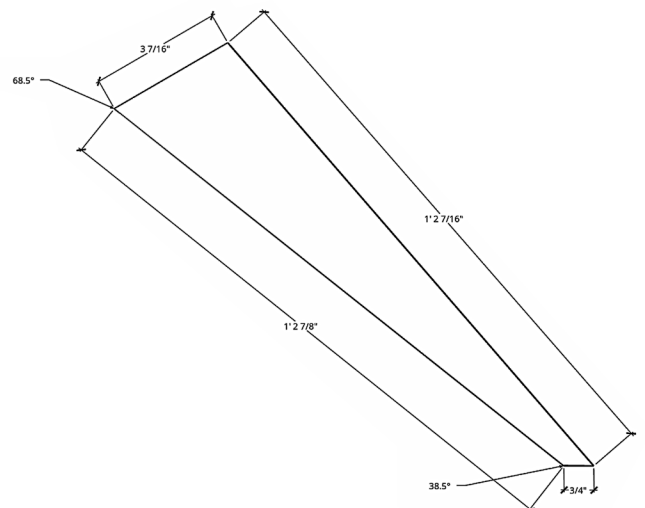
The center "Hub" connects to the long center leg and the short back leg. The most important measurement is the 30 degree cut where the legs connect.



The "Hub" pieces that connect left and right legs the same as the center hub, just cut in half.



The important angles for the Long Leg are marked and should be the primary reference(s). Only 1 long leg is needed.



3 short legs are needed for the base.