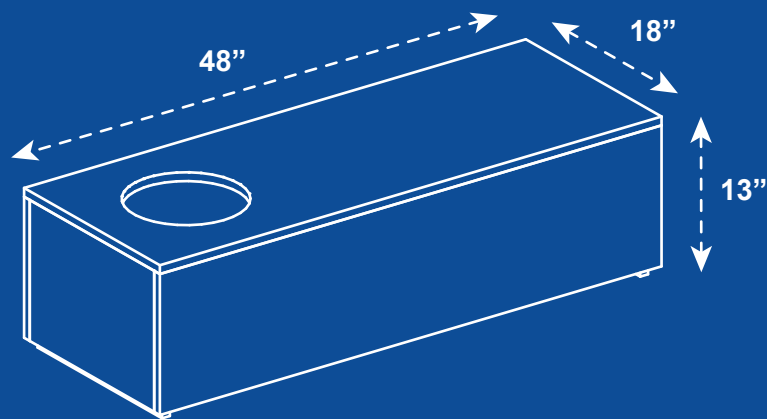


# COFFEE TABLE WITH PLANTER

MADE FROM 3/4" PLYWOOD  
COATED WITH FEATHER FINISH CEMENT

This DIY coffee table is made out of 3/4" plywood and coated with cement. There is a hole in the top that allows a plant to grow through.

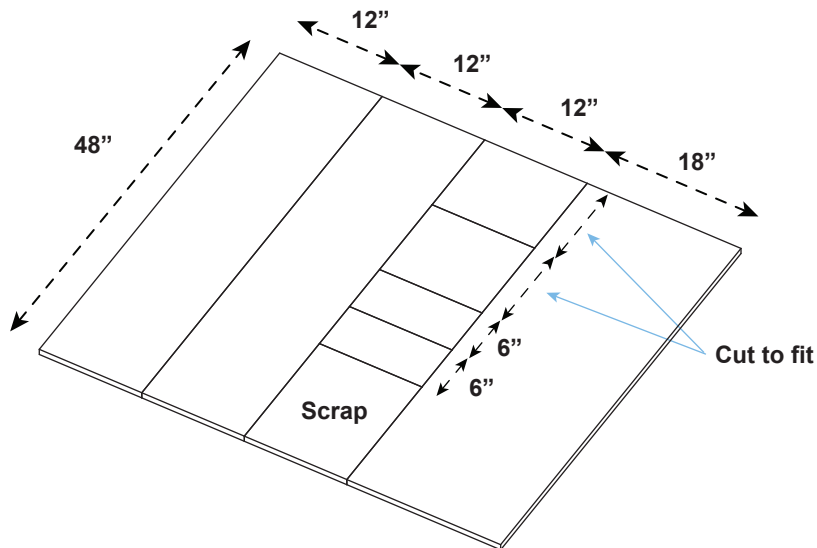
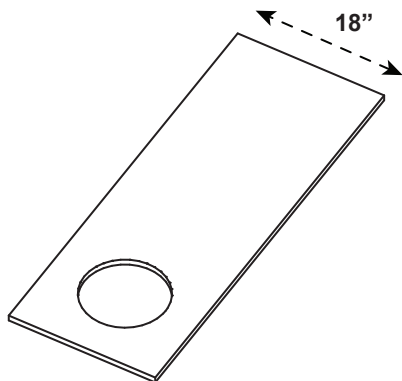


## 1. CUT THE PLYWOOD

Cut a 2x10 with the blade set at 15 degree angle.

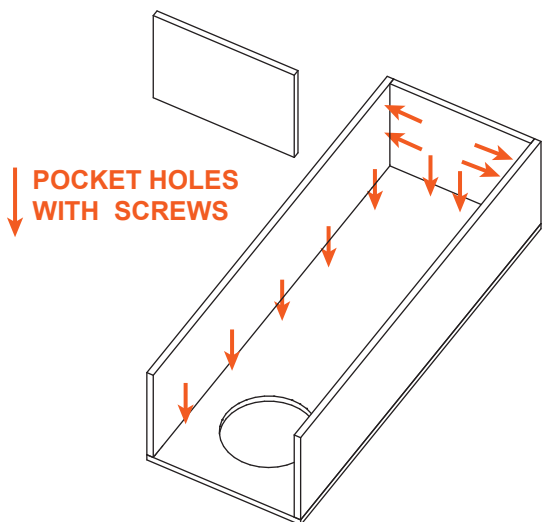
## 2. CUT A HOLE IN THE TOP

Draw a 10" diameter circle on one end of the top board and use a jigsaw to cut it out.



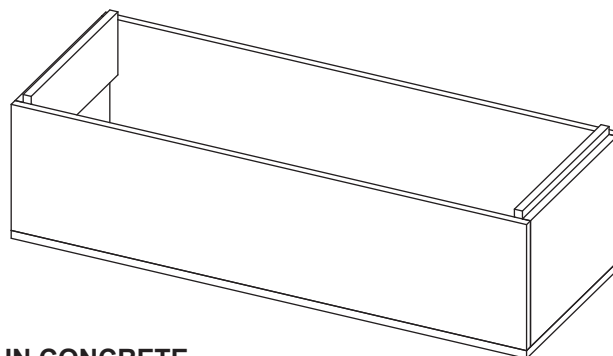
## 3. ASSEMBLE, MEASURE, AND CUT

Use pocket holes to attach the two long sides to the top. Take a measurement between the sides and cut pieces to fit on the ends. Use pocket holes to attach the pieces.



## 4. ADD FEET

Screw 6" wide pieces that extend past the bottom of the box by 3/4" with 1-1/4" finish screws.



## 5. COVER IN CONCRETE

Mix feather finish cement mix and coat the exterior of the plywood box.

