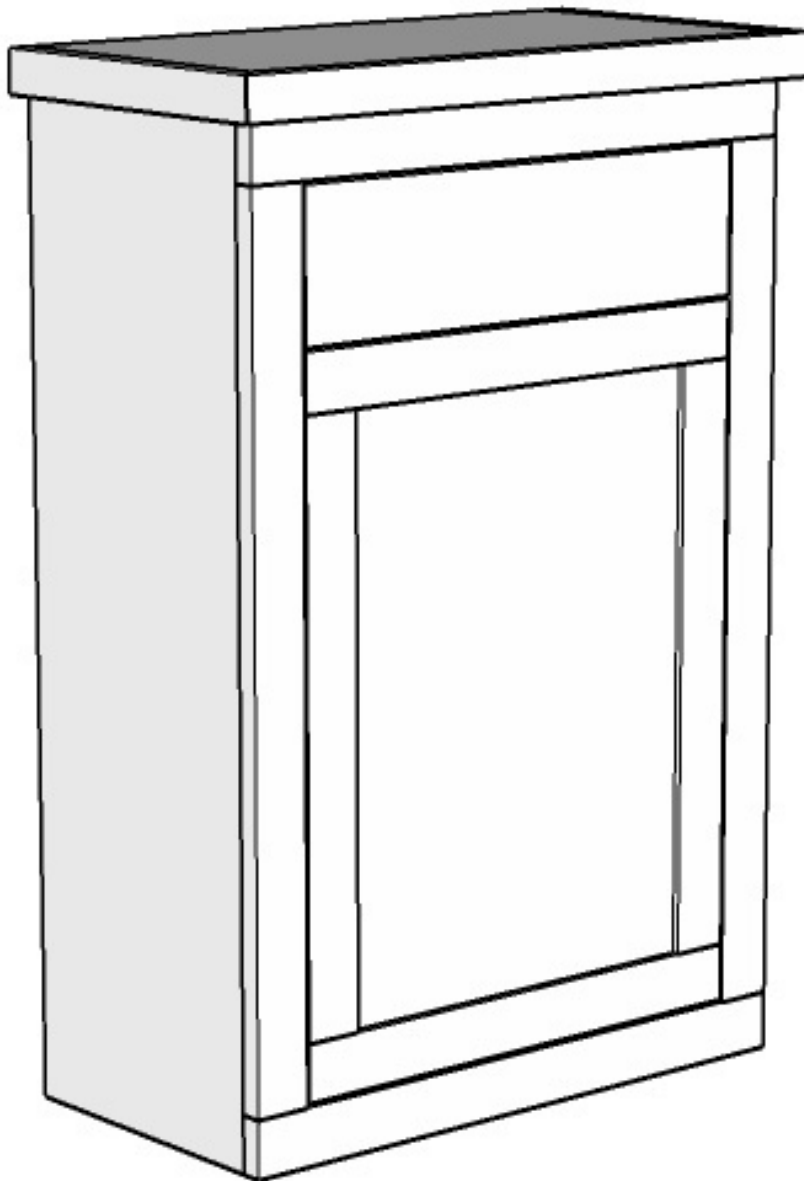


TILT OUT TRASH BIN

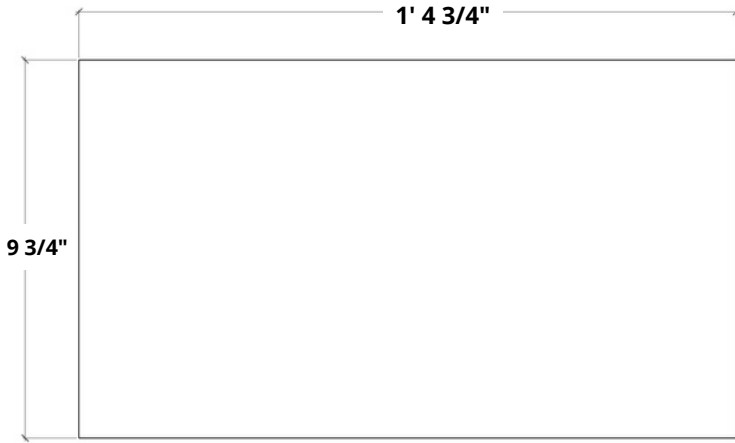
Woodworking Plans

By: Making Manzanita

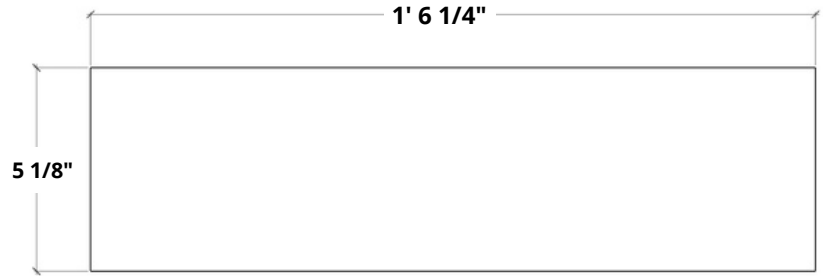


TRASH BIN (DRAWER): VISUAL CUT LIST

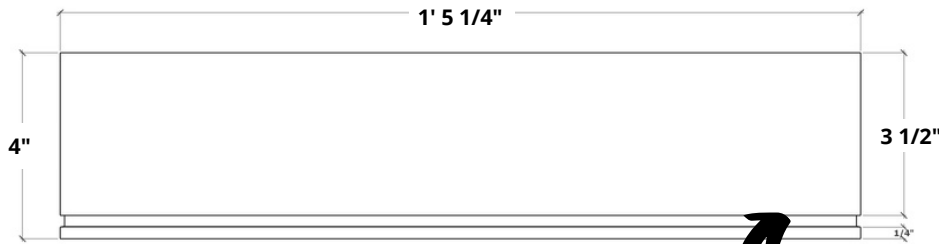
DRAWER BOTTOM (QTY 1)



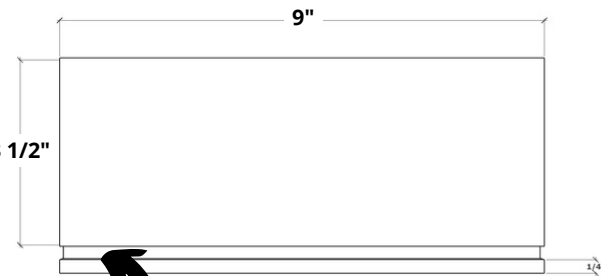
DRAWER FACE (QTY 1)



DRAWER FRONT & BACK (QTY 2)

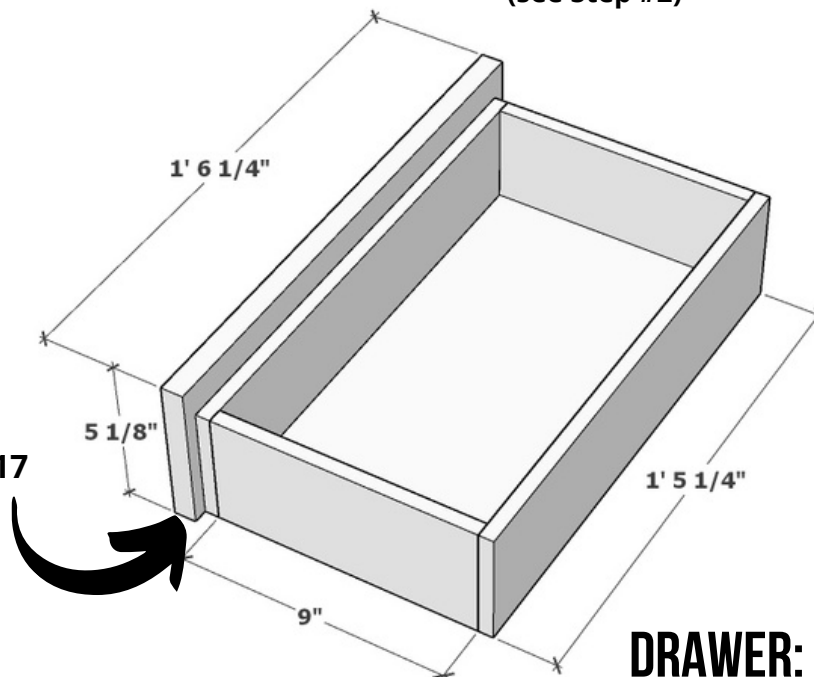


DRAWER SIDE (QTY 2)



Dado channels for
drawer bottom
(see Step #2)

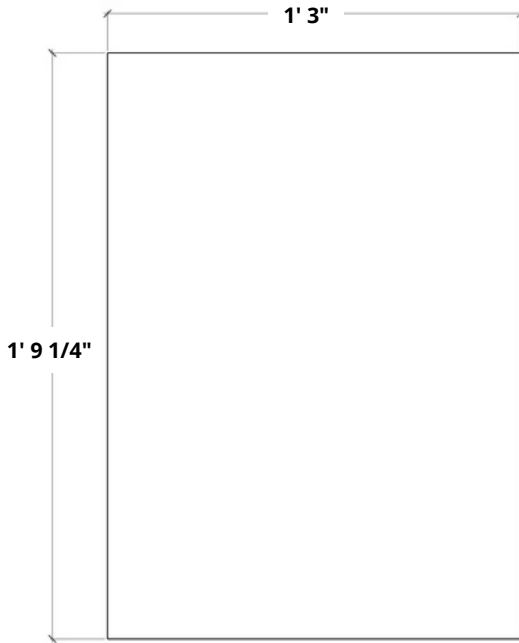
Drawer face
added in Step #17



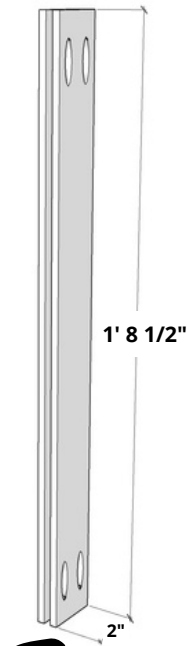
DRAWER: ASSEMBLED

TRASH BIN (DOOR): VISUAL CUT LIST

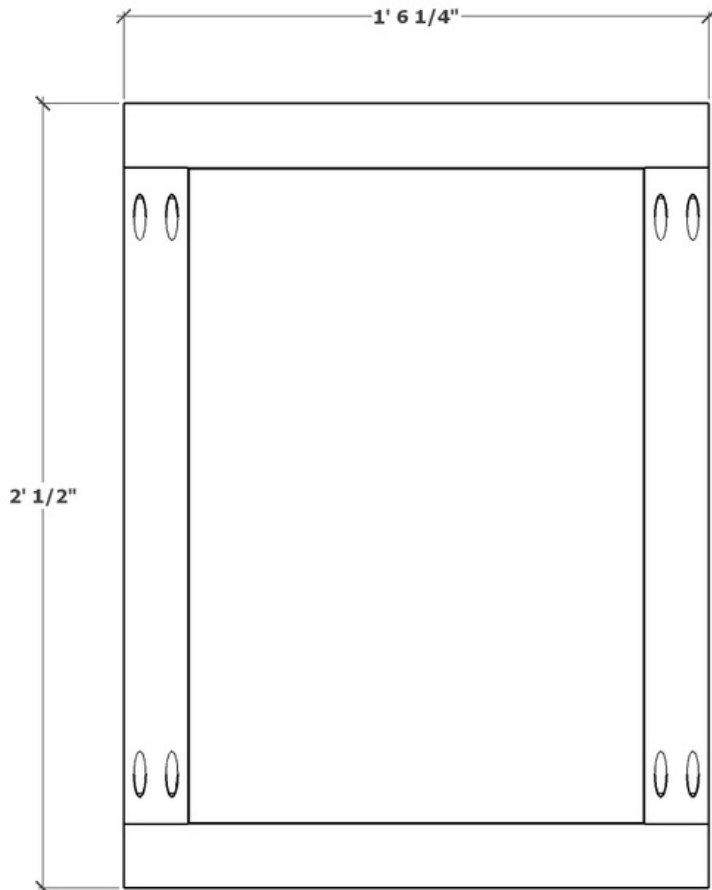
DOOR PANEL INSERT (QTY 1)



DOOR STILE (QTY 2)



DOOR: ASSEMBLED



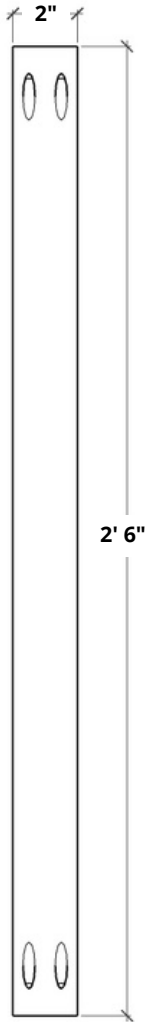
Grooves for door panel insert (see Step #3)



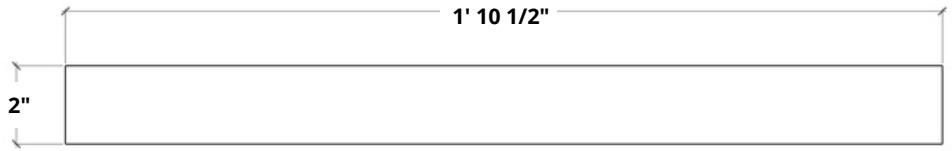
DOOR RAIL (QTY 2)

TRASH BIN (FACE FRAME): VISUAL CUT LIST

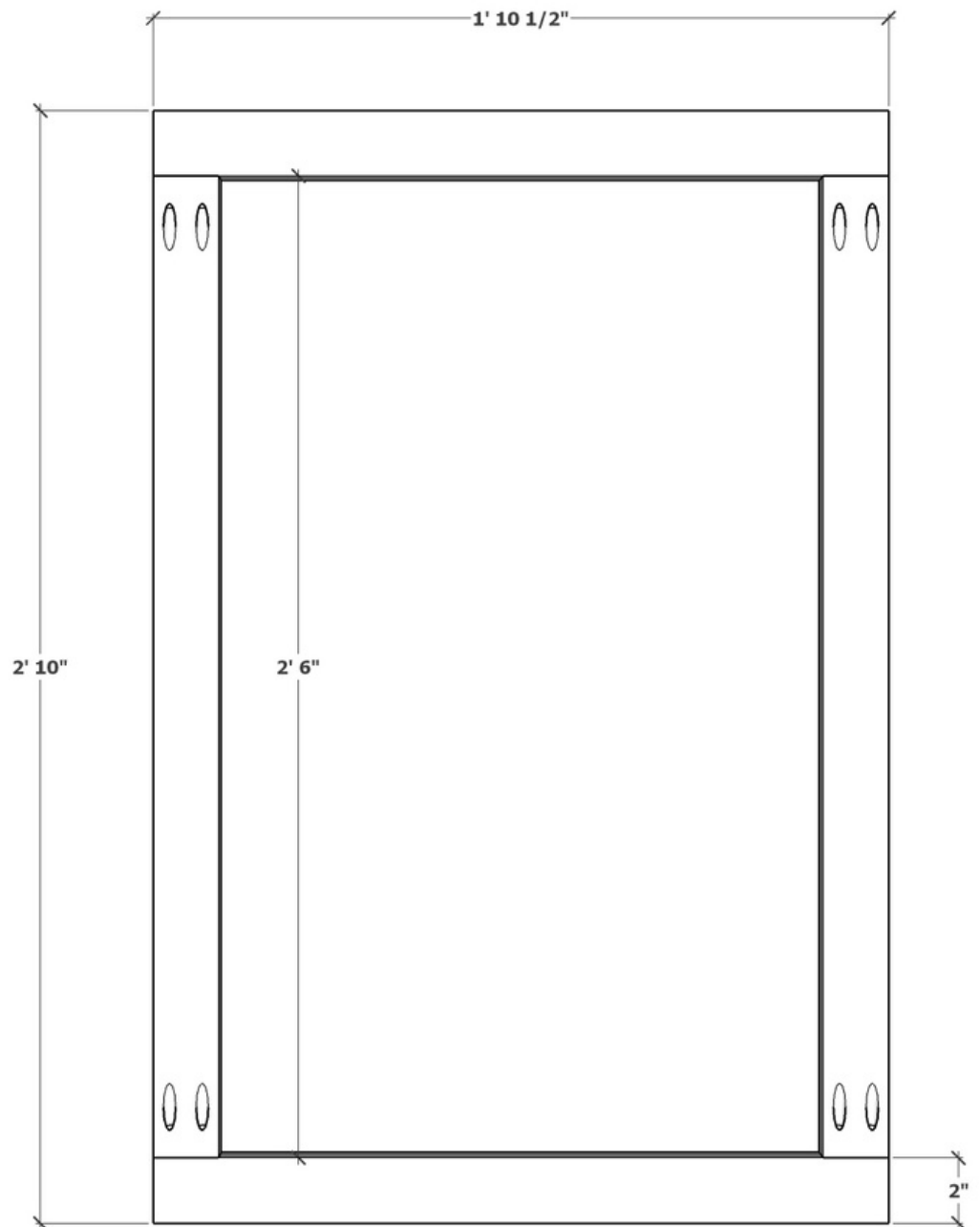
FACE FRAME SIDES (QTY 2)



FACE FRAME TOP & BOTTOM (QTY 2)

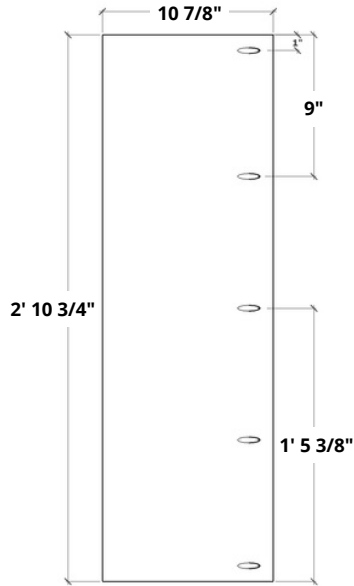


FACE FRAME: ASSEMBLED

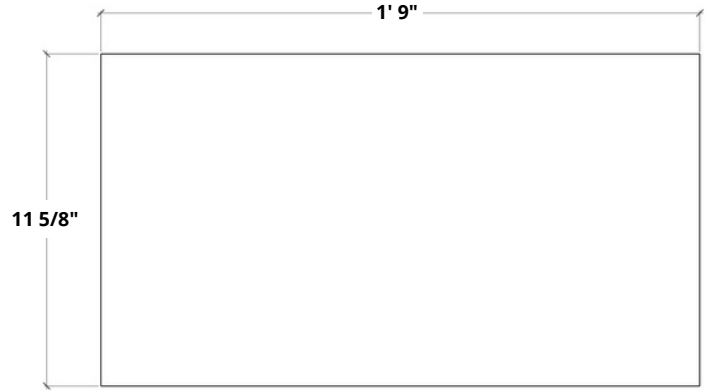


TRASH BIN (CABINET): VISUAL CUT LIST

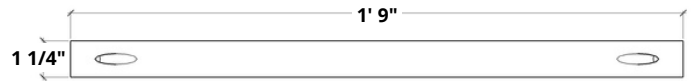
CABINET SIDE PANELS (QTY 2)



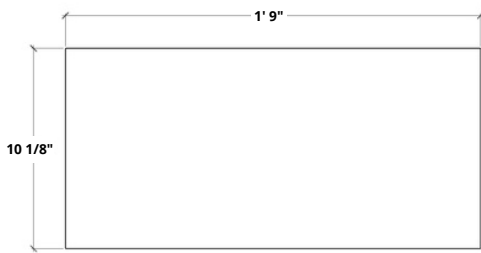
CABINET TOP PANEL (QTY 1)



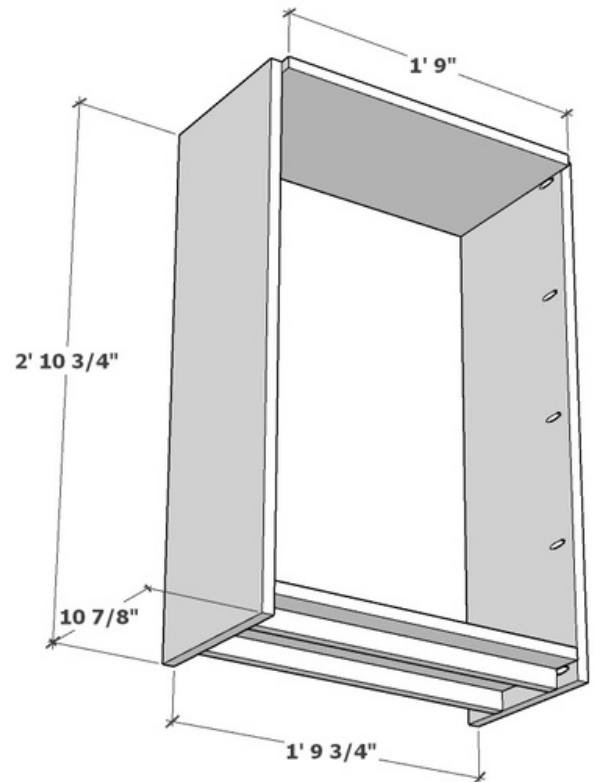
CABINET BOTTOM SUPPORTS (QTY 2)



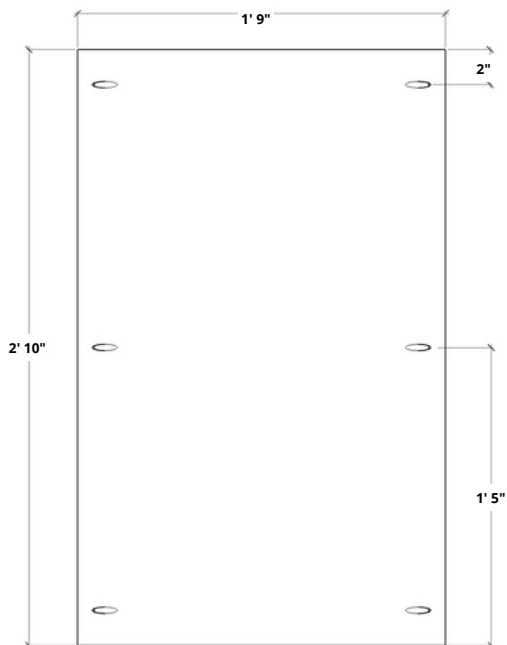
CABINET BOTTOM PANEL (QTY 1)



CABINET: ASSEMBLED

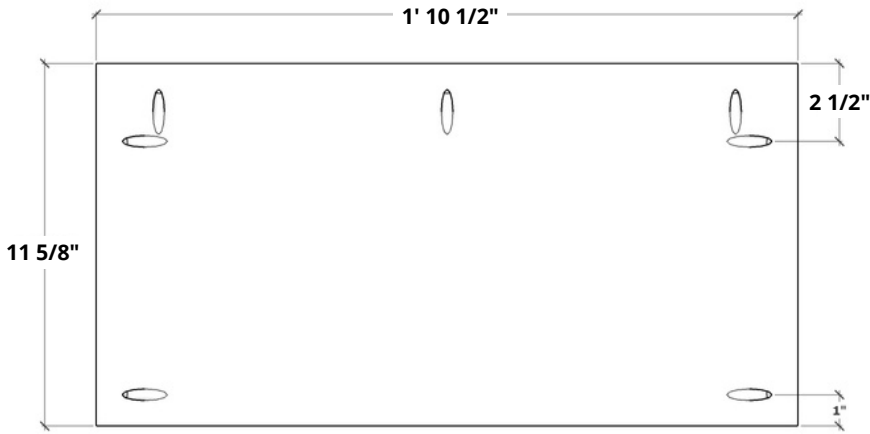


CABINET BACK PANEL (QTY 1) * ADDED IN STEP 17

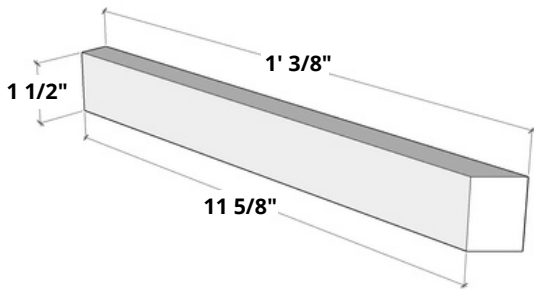


TRASH BIN (TOP): VISUAL CUT LIST

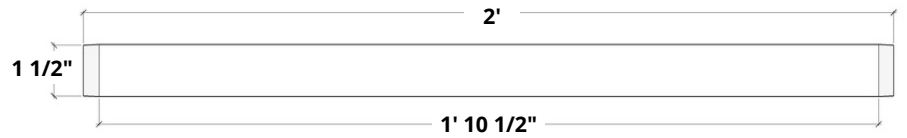
TOP PANEL (QTY 1)



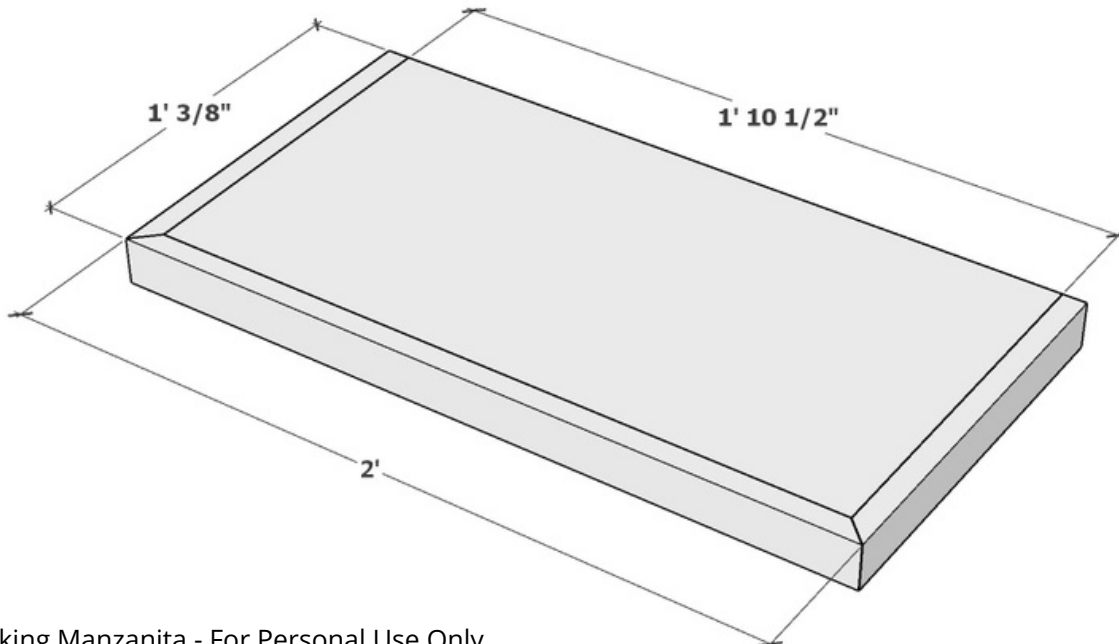
TOP SIDE TRIM (QTY 2)



TOP FRONT TRIM (QTY 1)

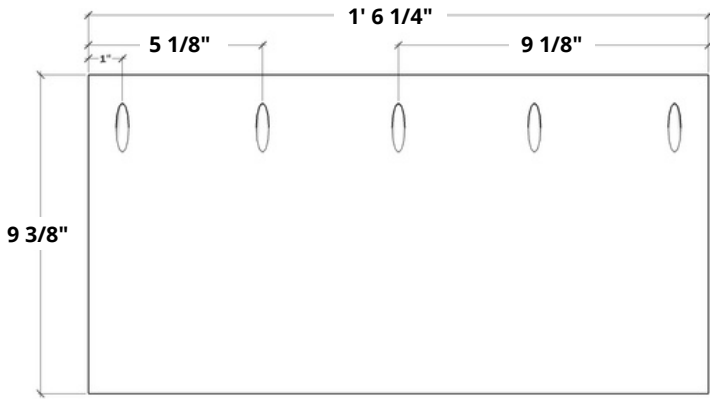


TOP: ASSEMBLED

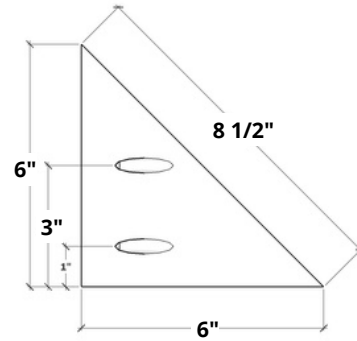


TRASH BIN (TILT PLATFORM): VISUAL CUT LIST

TRASH BIN TILT PLATFORM BASE (QTY 1)

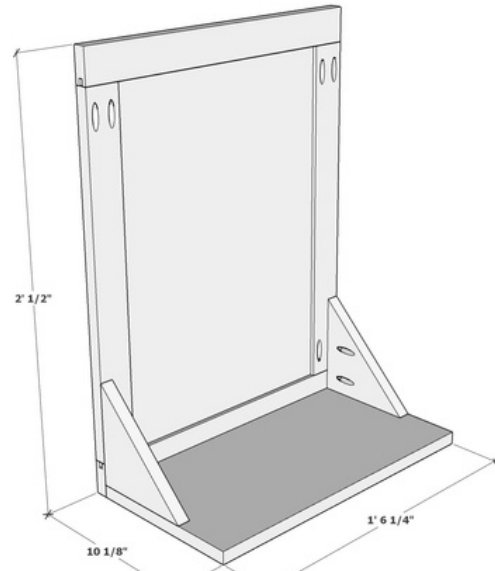


TILT SUPPORT TRIANGLES (QTY 2)



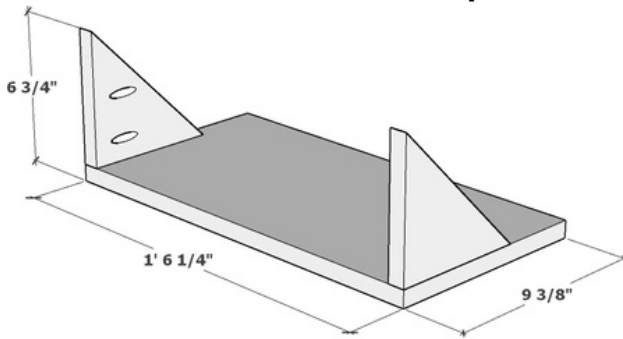
TILT PLATFORM: ADDED TO DOOR

see Step #12

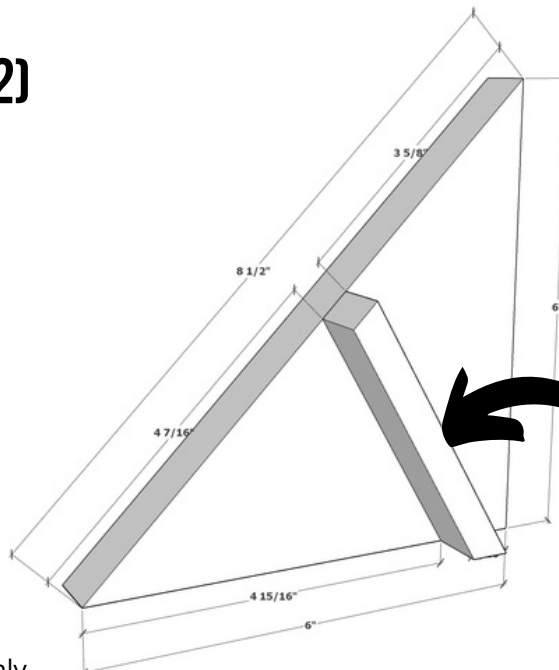
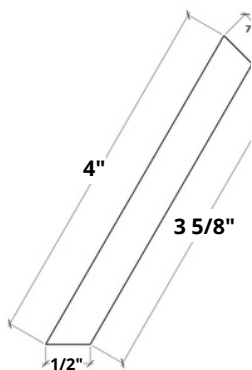


TILT PLATFORM: ASSEMBLED

see Step #12



TILT STOPS (QTY 2)



Tilt stop added in Step #15