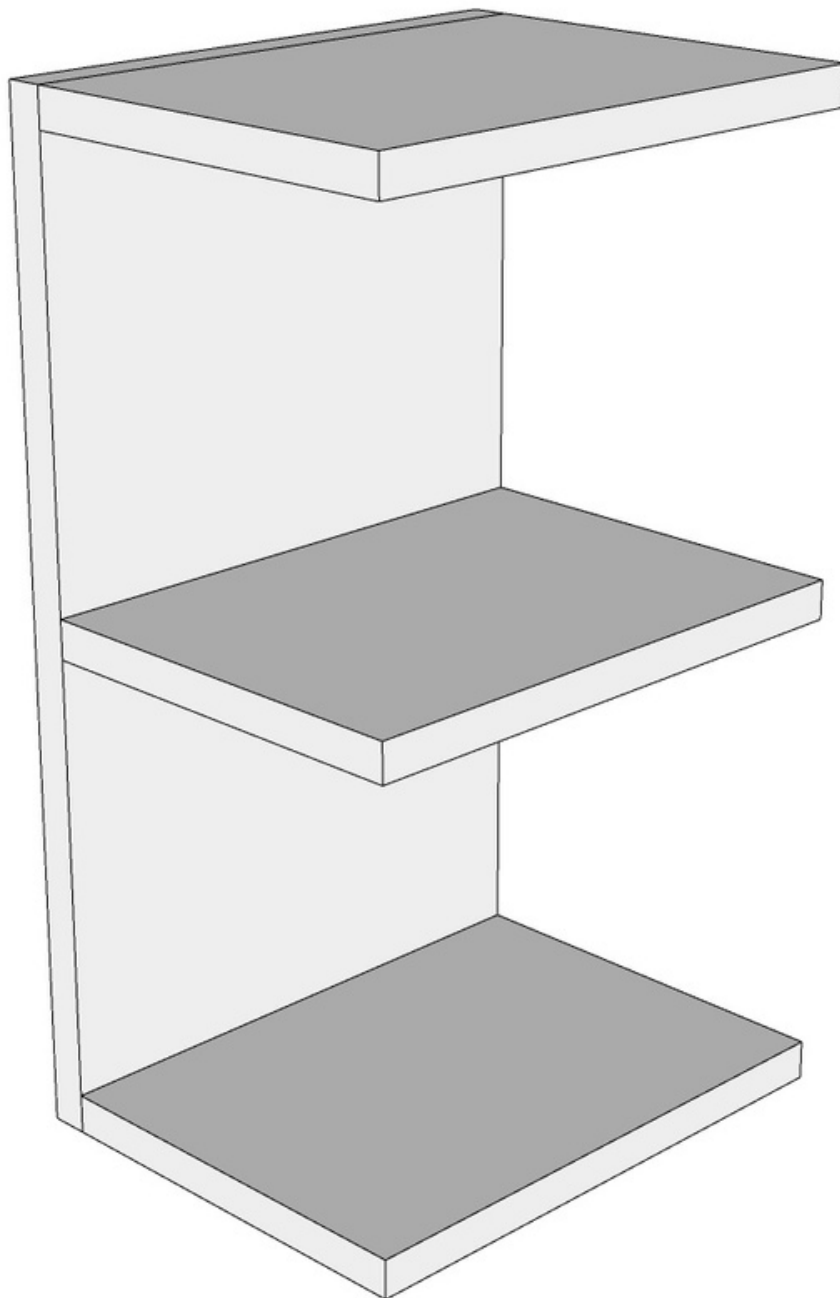


TOWEL SHELF

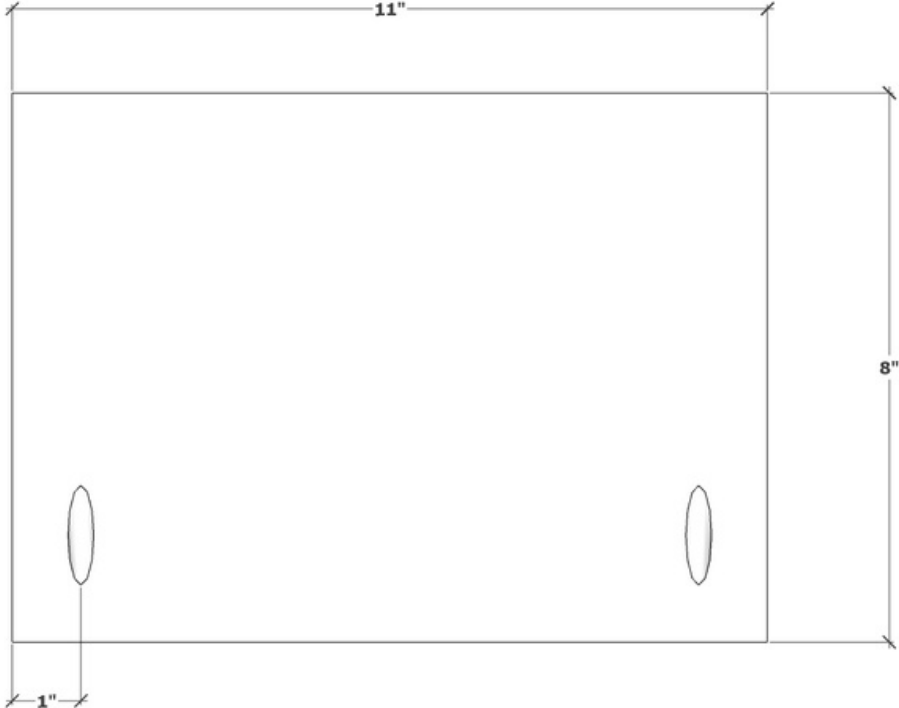
Woodworking Plans

By: Making Manzanita

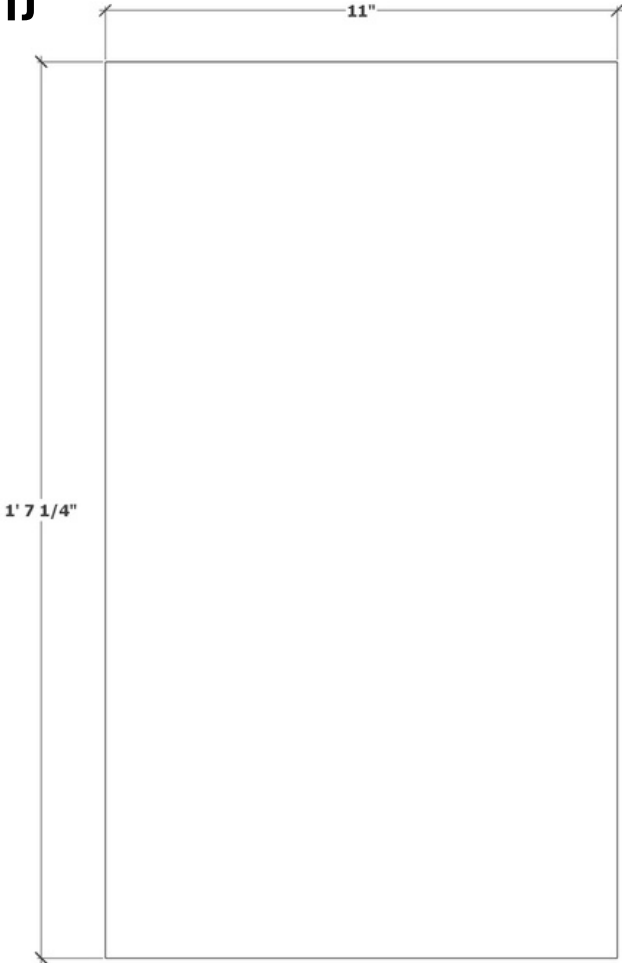


TOWEL SHELF: VISUAL CUT LIST

SHELF (QTY 3)



BACK PANEL (QTY 1)



TOWEL SHELF: ASSEMBLY

