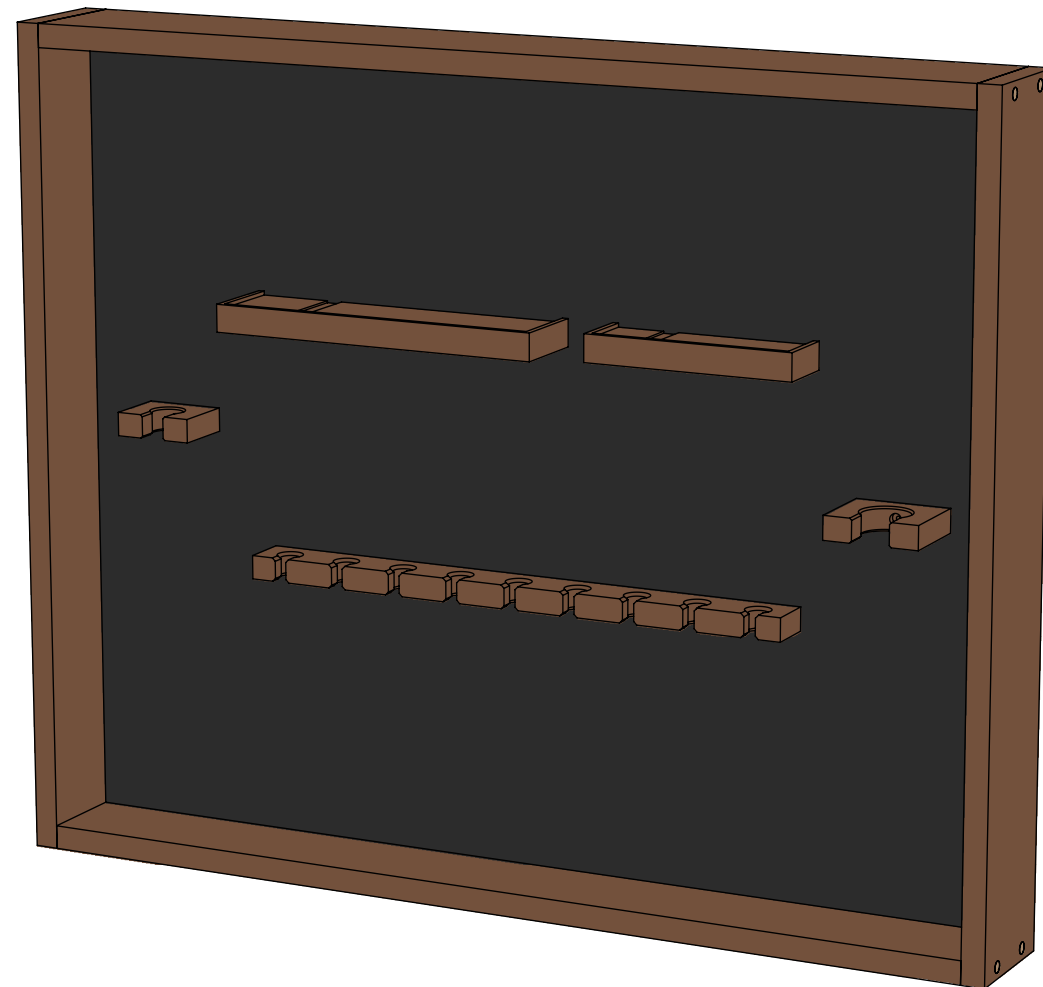


TABLE OF CONTENTS	
SHT NO.	DESCRIPTION
1	COVER PAGE
2	TOOL HOLDERS
3	BLOCK PLANE SHELF
4	JACK PLANE SHELF
5	BACK
6	FRAME PIECES
7	TOOL ORGANIZER ASSEMBLY
8	TOOL ORGANIZER ASSEMBLY CONT.



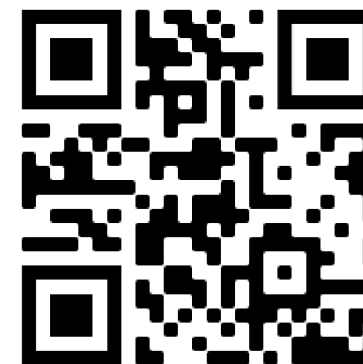
www.woodshopmike.com
mike@woodshopmike.com



www.woodshopmike.com
mike@woodshopmike.com

HAND TOOL ORGANIZER

WATCH THE BUILD VIDEO!



NOTE:

THESE PLANS ARE INTENDED TO BE A SUPPLEMENT TO THE BUILD VIDEO AND PROJECT POST. SINCE EACH SHOP WILL HAVE DIFFERENT TOOLS AND SPACE AVAILABLE, I FIND IT MOST HELPFUL TO DESCRIBE THE METHODS USED TO BUILD MY HAND TOOL ORGANIZER RATHER THAN TO NECESSARILY GIVE EXPLICIT DIRECTIONS FOR BUILDING THIS EXACT UNIT.

MATERIALS (per door)	
ITEM	QTY
3/4" BLACK MELAMINE WALNUT	1/2 SHEET
1-1/4" POCKET HOLE SCREWS	5 bf
2" POCKET HOLE SCREWS	<50
2-1/2" POCKET HOLE SCREWS	2
CA GLUE, MEDIUM	3
CA GLUE, BROWN	1 BOTTLE
CA GLUE ACCELERATOR	1 BOTTLE
FINISH OF CHOICE	1 PINT

PROJECT NAME: HAND TOOL ORGANIZER		DESCRIPTION	INITIAL RELEASE
DRAWING NAME: COVER SHEET		BY	MP
REV	DATE		
00	6/27/22		

Woodshop Mike, LLC and it's affiliates are not responsible for any damages that may come to persons or properties involved during the creation or use of this project or plans. The use of these plans and construction of this projects is acknowledgement that you as the fabricator assume all liability for proper construction and safe use of the project through all stages.

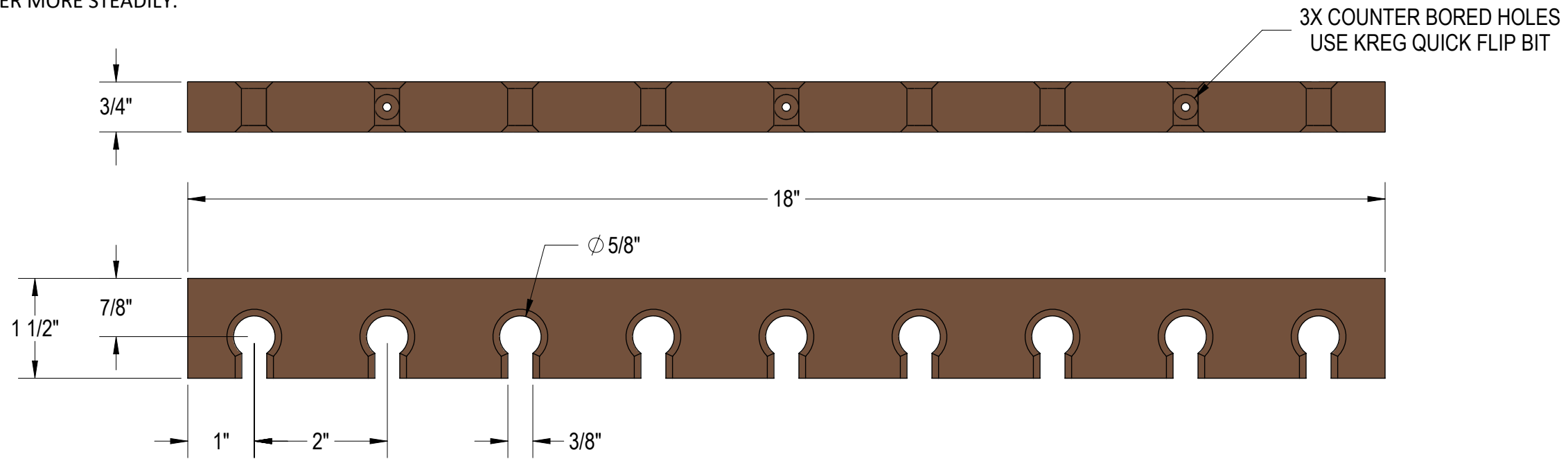
SHT. NO: 1

NOTE:
ADJUST SIZE OF HOLDERS TO FIT YOUR TOOLS AS NEEDED

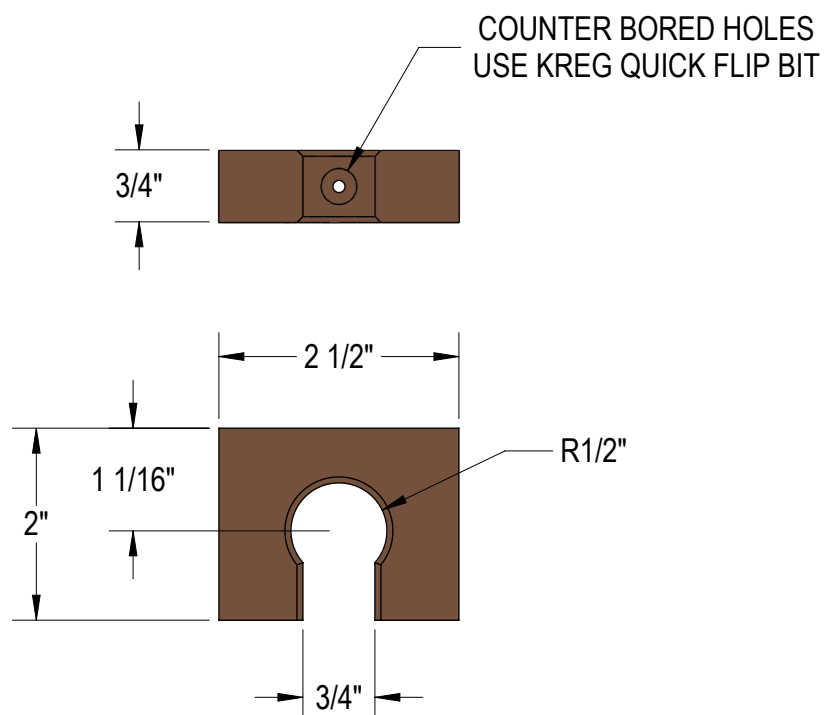
CHAMFER INSIDE OF HOLDERS SO TOOLS
REST IN HOLDER MORE STEADILY.



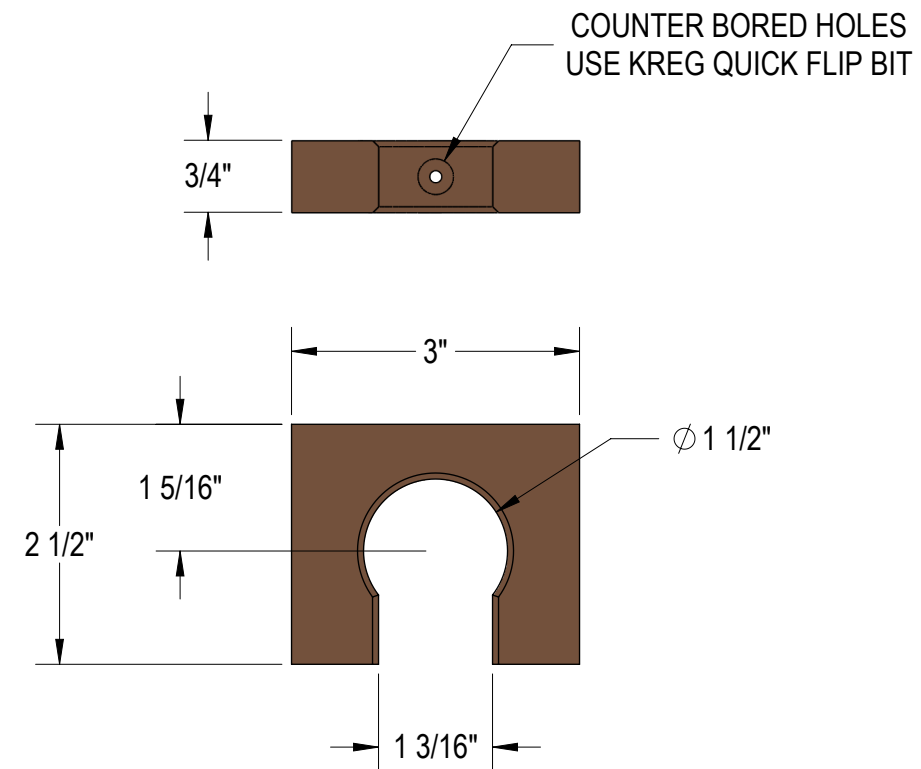
www.woodshopmike.com
mike@woodshopmike.com



ITEM #1
CHISEL HOLDER
QTY: 1
MTR'L: 3/4" WALNUT



ITEM #2
DRAW KNIFE HOLDER
QTY: 1
MTR'L: 3/4" WALNUT



ITEM #3
MALLET HOLDER
QTY: 1
MTR'L: 3/4" WALNUT

PROJECT NAME: HAND TOOL ORGANIZER

DRAWING NAME: TOOL HOLDERS

REV	DATE	BY	DESCRIPTION
00	6/27/22	MP	INITIAL RELEASE

Woodshop Mike, LLC and it's affiliates are not responsible for any damages that may come to persons or properties involved during the creation or use of this project or plans. The use of these plans and construction of this projects is acknowledgement that you as the fabricator assume all liability for proper construction and safe use of the project through all stages.

SHT. NO:

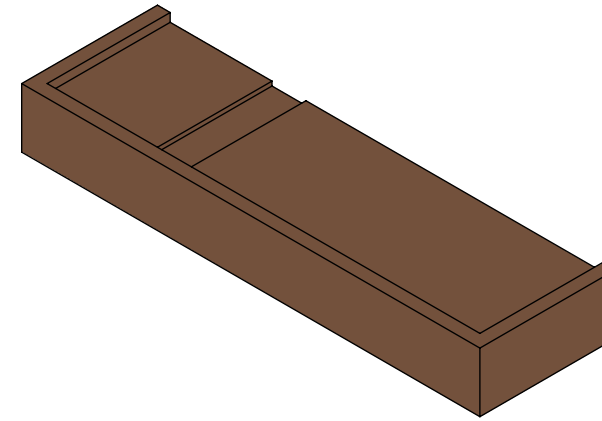
2

NOTE:
ADJUST SIZE OF SHELVES TO FIT YOUR PLANES AS NEEDED.

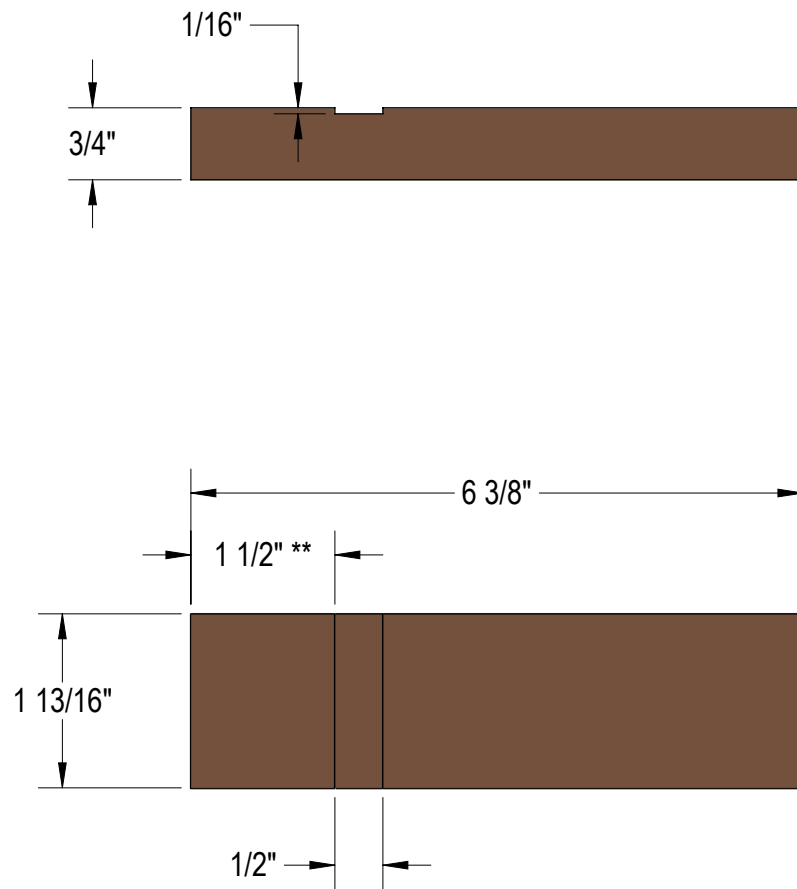
USE BROWN STARBOND CA GLUE AND ACCELERATOR
TO GLUE MITERS FOR RIM AND TO GLUE RIM TO SHELF BOTTOM.

RIM AND SHELF TO BE FLUSH ON BOTTOM.

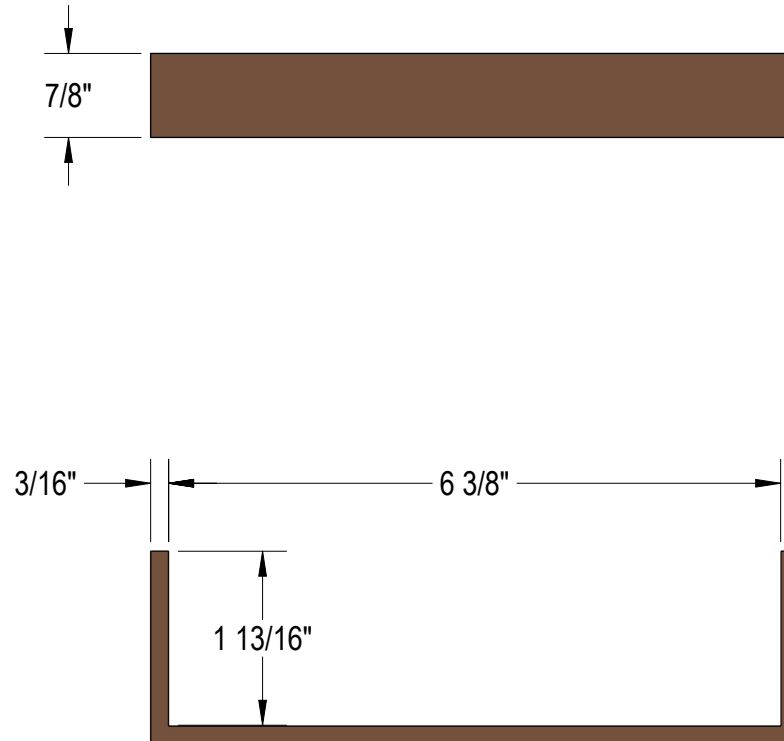
** MEASURE LOCATION OF BLADE ON YOUR PLANE AND ADJUST LOCATION
OF DADO IN SHELF BOTTOM ACCORDINGLY.



www.woodshopmike.com
mike@woodshopmike.com



ITEM #4
BLOCK PLANE SHELF
QTY: 1
MTR'L: 3/4" WALNUT



ITEM #5
BLOCK PLANE SHELF RIM
QTY: 1
MTR'L: 3/16" WALNUT

PROJECT NAME: HAND TOOL ORGANIZER

DRAWING NAME: BLOCK PLANE SHELF

REV	DATE	BY	DESCRIPTION
00	6/27/22	MP	INITIAL RELEASE

Woodshop Mike, LLC and it's affiliates are not responsible for any damages that may come to persons or properties involved during the creation or use of this project or plans. The use of these plans and construction of this projects is acknowledgement that you as the fabricator assume all liability for proper construction and safe use of the project through all stages.

SHT. NO:

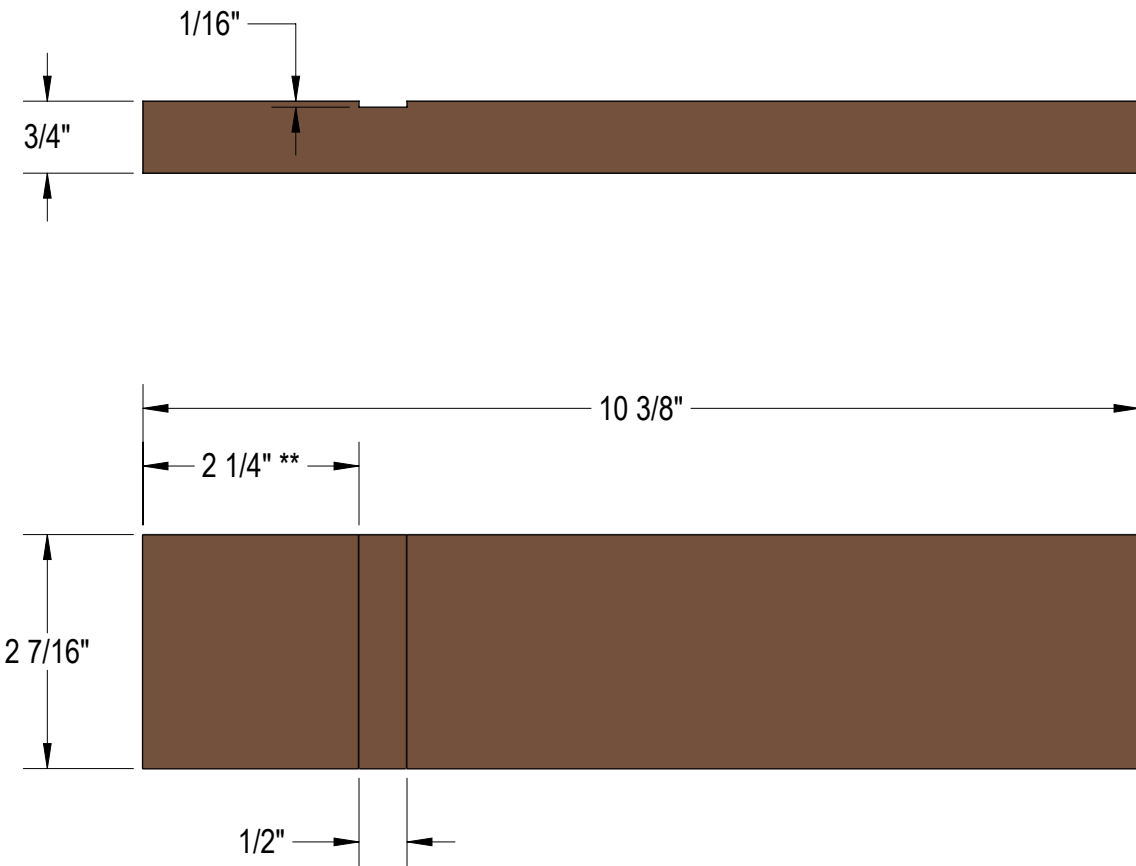
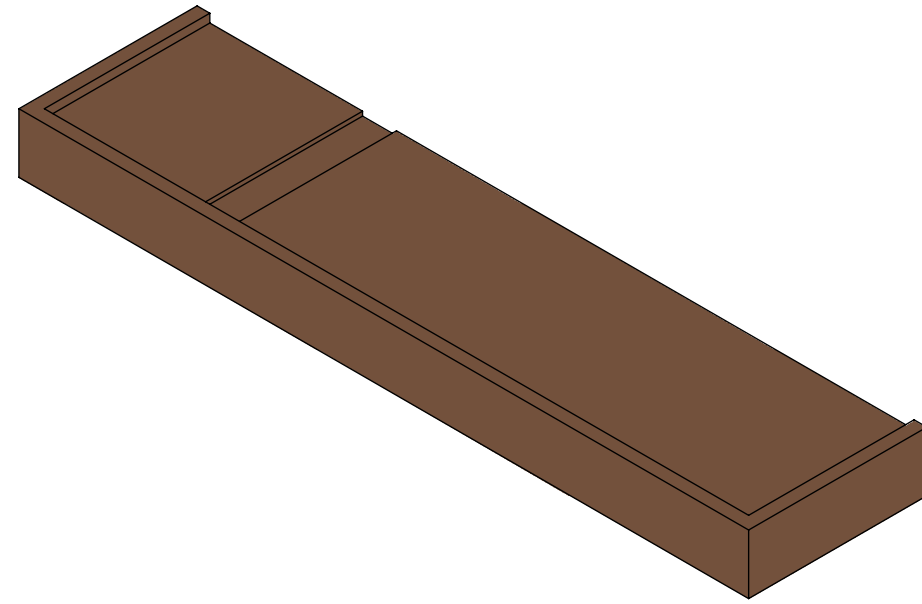
3

NOTE:
ADJUST SIZE OF SHELVES TO FIT YOUR PLANES AS NEEDED.

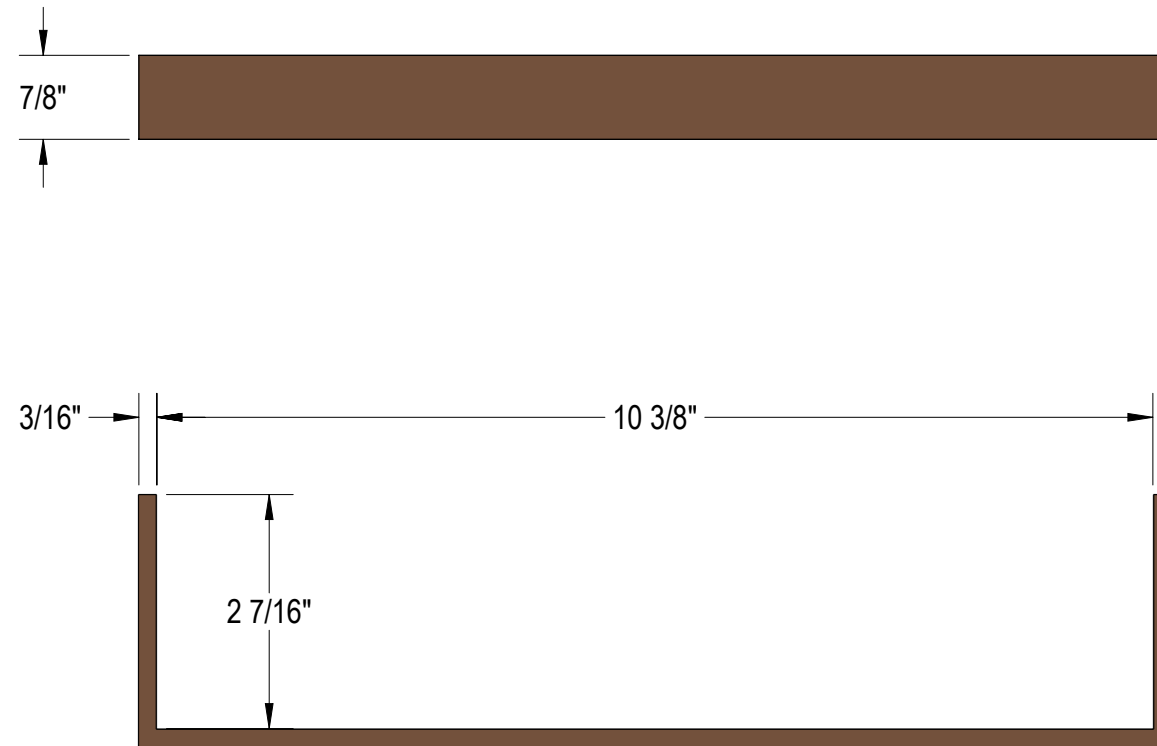
USE BROWN STARBOND CA GLUE AND ACCELERATOR
TO GLUE MITERS FOR RIM AND TO GLUE RIM TO SHELF BOTTOM.

RIM AND SHELF TO BE FLUSH ON BOTTOM.

** MEASURE LOCATION OF BLADE ON YOUR PLANE AND ADJUST LOCATION
OF DADO IN SHELF BOTTOM ACCORDINGLY.



ITEM #6
JACK PLANE SHELF
QTY: 1
MTR'L: 3/4" WALNUT



ITEM #7
JACK PLANE SHELF RIM
QTY: 1
MTR'L: 3/16" WALNUT



www.woodshopmike.com
mike@woodshopmike.com

PROJECT NAME: HAND TOOL ORGANIZER

DRAWING NAME: JACK PLANE SHELF

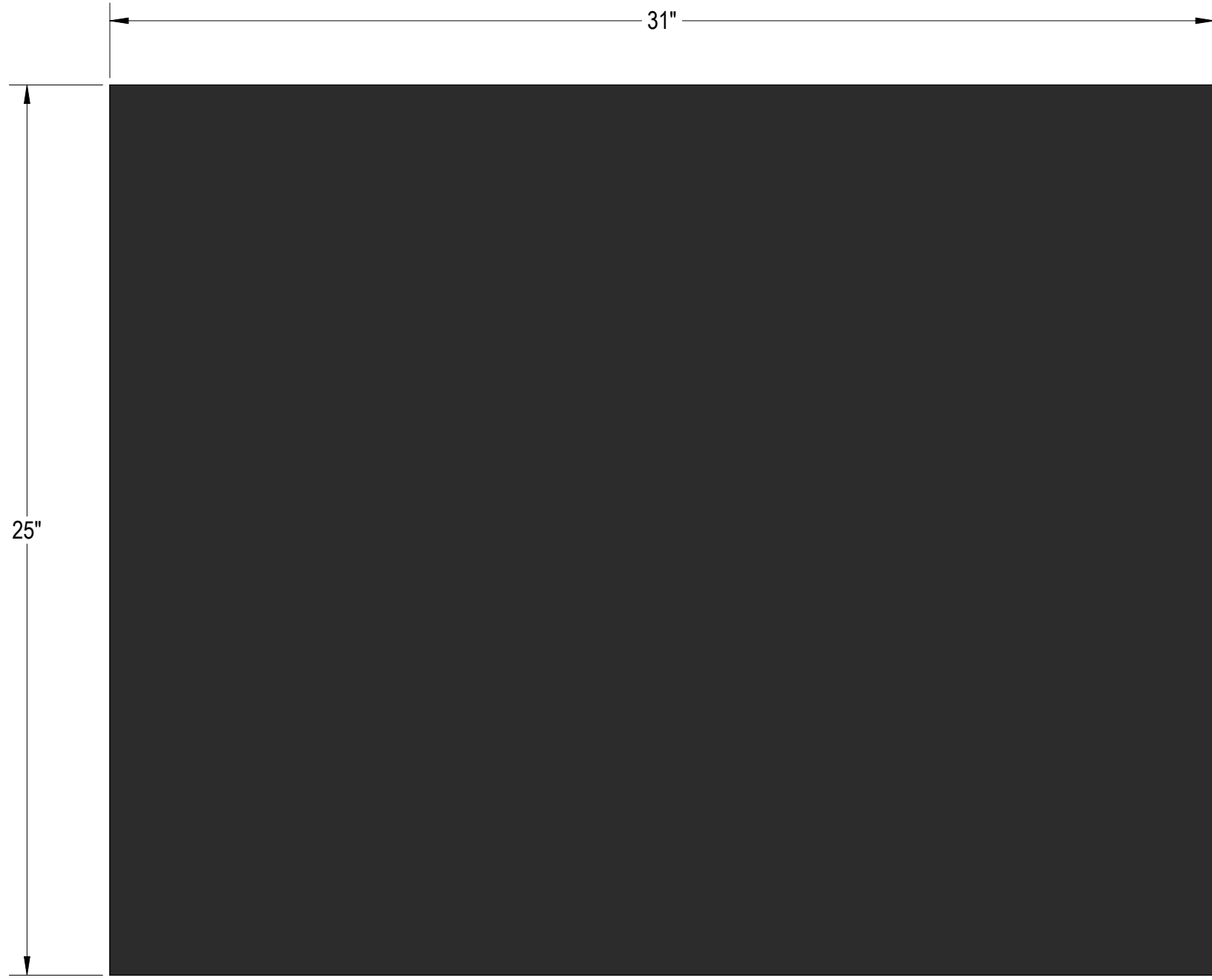
REV	DATE	BY	DESCRIPTION
00	6/27/22	MP	INITIAL RELEASE

Woodshop Mike, LLC and its affiliates are not responsible for any damages that may come to persons or properties involved during the creation or use of this project or plans. The use of these plans and construction of this projects is acknowledgement that you as the fabricator assume all liability for proper construction and safe use of the project through all stages.

SHT. NO:

4

NOTE:
ADJUST SIZE OF BACK TO FIT THE ARRANGEMENT, QUANTITY,
AND SIZE OF TOOL HOLDERS NEEDED TO ORGANIZE YOUR ITEMS.



ITEM #8
BACK
QTY: 1
MTR'L: 3/4" BLACK MELAMINE



www.woodshopmike.com
mike@woodshopmike.com

PROJECT NAME: HAND TOOL ORGANIZER

DRAWING NAME: BACK

REV	DATE	BY	DESCRIPTION
00	6/27/22	MP	INITIAL RELEASE

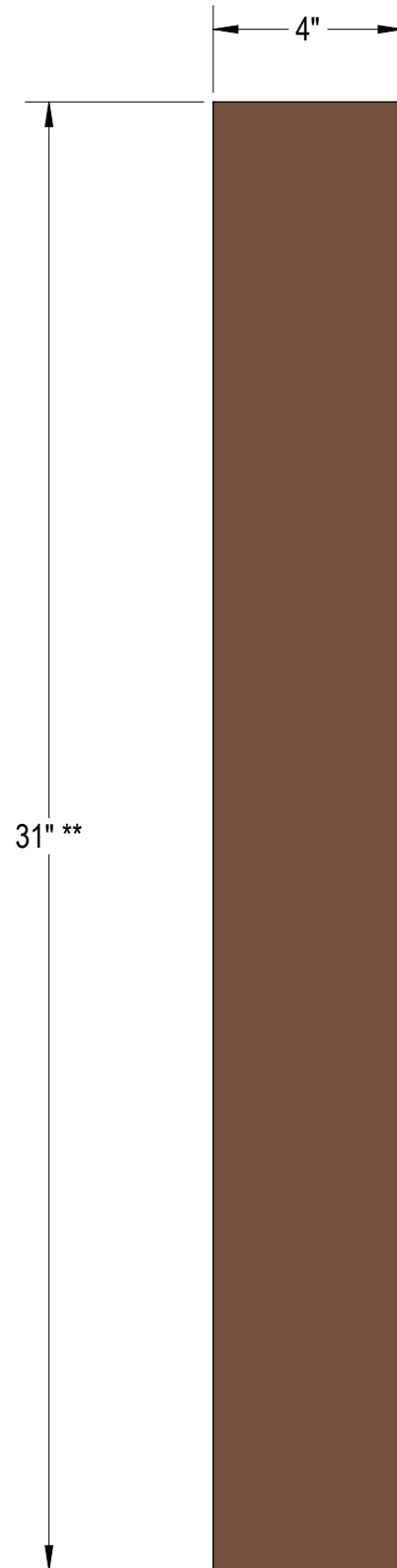
Woodshop Mike, LLC and it's affiliates are not responsible for any damages that may come to persons or properties involved during the creation or use of this project or plans. The use of these plans and construction of this projects is acknowledgement that you as the fabricator assume all liability for proper construction and safe use of the project through all stages.

--	--	--

SHT. NO:
5

Reproduction of this document without the written authorization of Woodshop Mike, LLC is strictly prohibited Copyright 2022, Woodshop Mike, LLC

NOTE:
 ** ADJUST LENGTH OF FRAME PIECES TO MATCH SIZE OF
 BACK IF DIFFERENT THAN DIMENSIONED IN PLANS.



ITEM #9
FRAME, TOP/BOTTOM
 QTY: 2
 MTR'L: 3/4" WALNUT



ITEM #10
FRAME, SIDE
 QTY: 2
 MTR'L: 3/4" WALNUT



www.woodshopmike.com
 mike@woodshopmike.com

PROJECT NAME: HAND TOOL ORGANIZER

DRAWING NAME: FRAME PIECES

REV	DATE	BY	DESCRIPTION
00	6/27/22	MP	INITIAL RELEASE

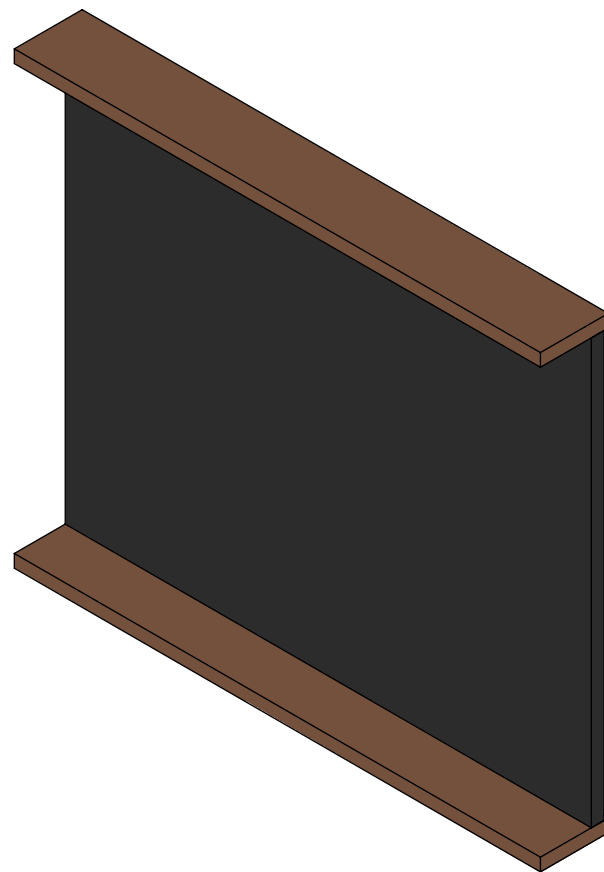
Woodshop Mike, LLC and it's affiliates are not responsible for any damages that may come to persons or properties involved during the creation or use of this project or plans. The use of these plans and construction of this projects is acknowledgement that you as the fabricator assume all liability for proper construction and safe use of the project through all stages.

SHT. NO:

6

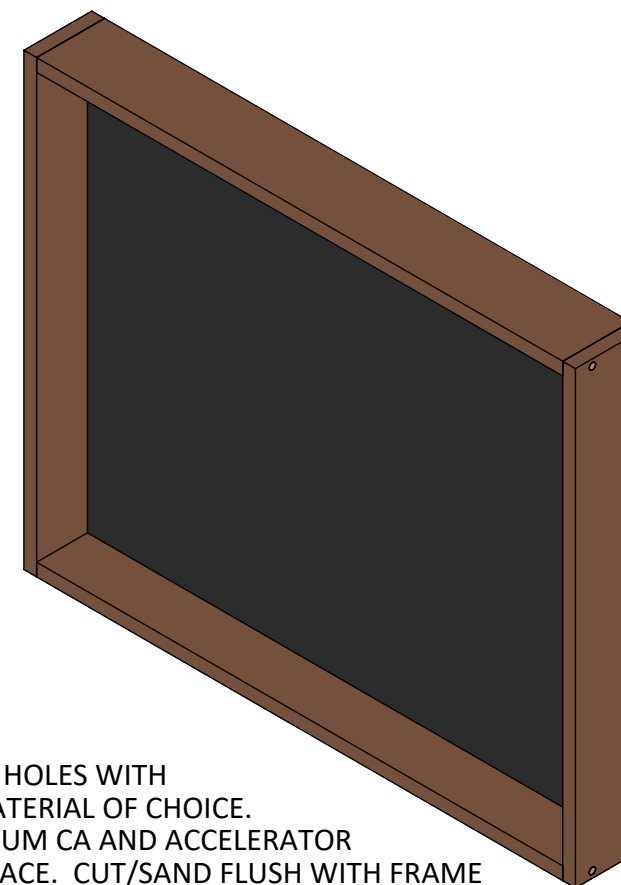


www.woodshopmike.com
mike@woodshopmike.com



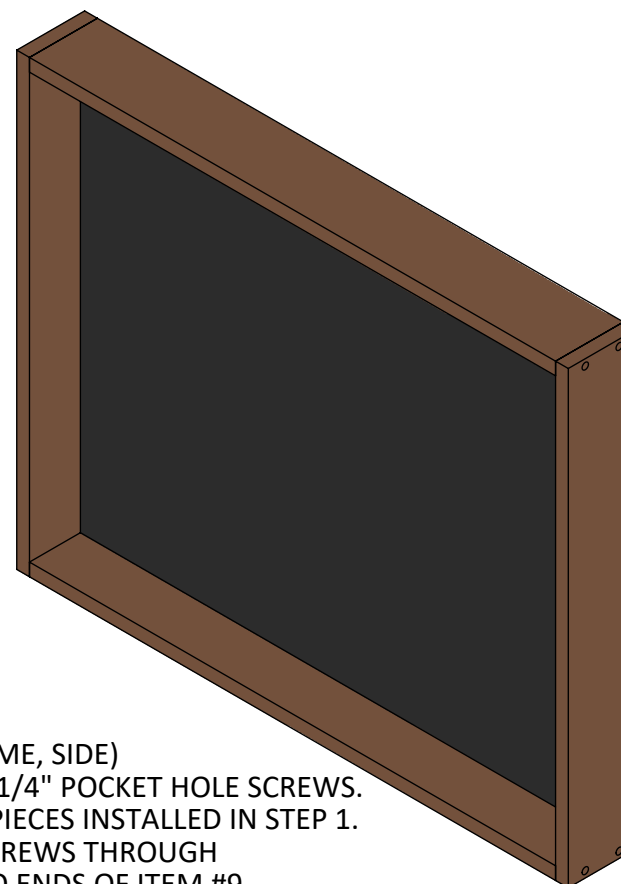
STEP 1

ATTACH 2 OF ITEM #9 (FRAME, TOP/BOTTOM) TO ITEM #8 (BACK) USING 1-1/4" POCKET HOLE SCREWS. ALIGN FRAME PIECES AS DESIRED DEPENDING ON METHOD USED TO MOUNT ORGANIZER TO WALL.



STEP 3

FILL COUNTERBORED HOLES WITH PLUGS CUT FROM MATERIAL OF CHOICE. USE STARBOND MEDIUM CA AND ACCELERATOR TO GLUE PLUGS IN PLACE. CUT/SAND FLUSH WITH FRAME



STEP 2

ATTACH 2 OF ITEM #10 (FRAME, SIDE) TO ITEM #8 (BACK) USING 1-1/4" POCKET HOLE SCREWS. ALIGN FRAME PIECES WITH PIECES INSTALLED IN STEP 1. RUN 1-1/4" POCKET HOLE SCREWS THROUGH COUNTERBORED HOLES INTO ENDS OF ITEM #9.

PROJECT NAME: HAND TOOL ORGANIZER
DRAWING NAME: TOOL ORGANIZER ASSEMBLY

REV	DATE	BY	DESCRIPTION
00	6/27/22	MP	INITIAL RELEASE

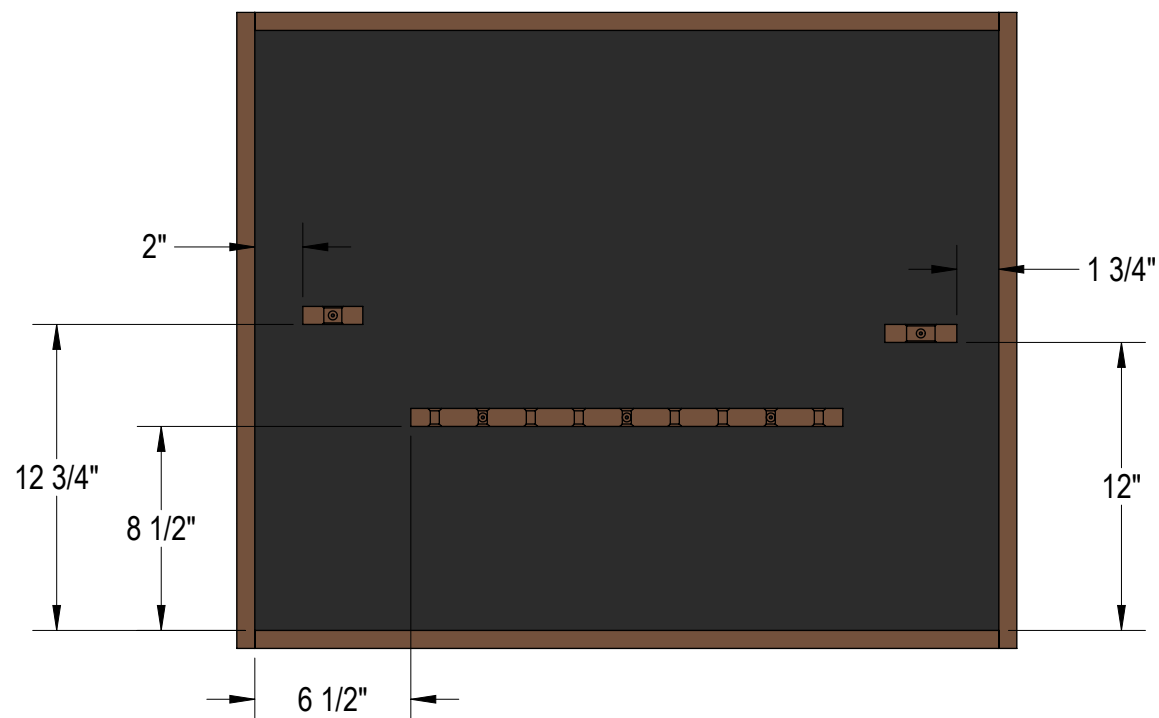
Woodshop Mike, LLC and it's affiliates are not responsible for any damages that may come to persons or properties involved during the creation or use of this project or plans. The use of these plans and construction of this projects is acknowledgement that you as the fabricator assume all liability for proper construction and safe use of the project through all stages.

SHT. NO:

7

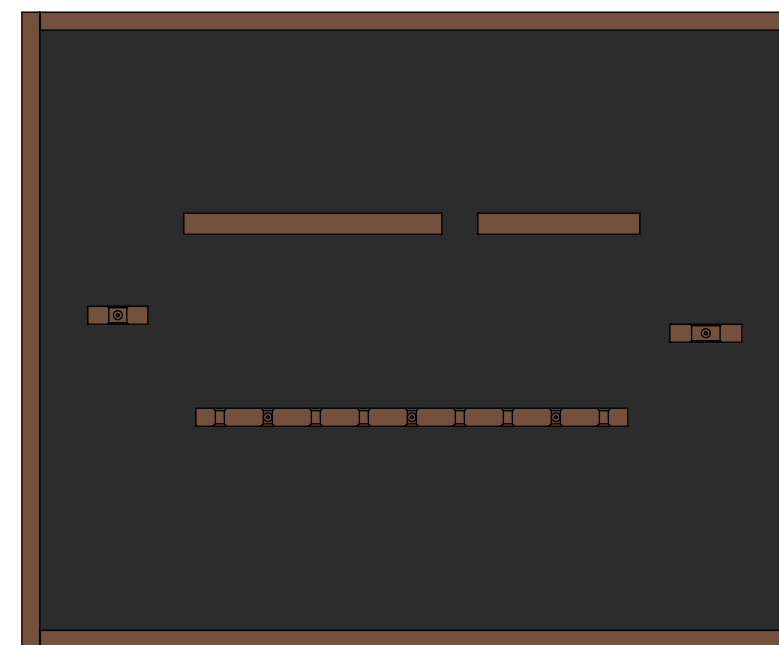


www.woodshopmike.com
mike@woodshopmike.com



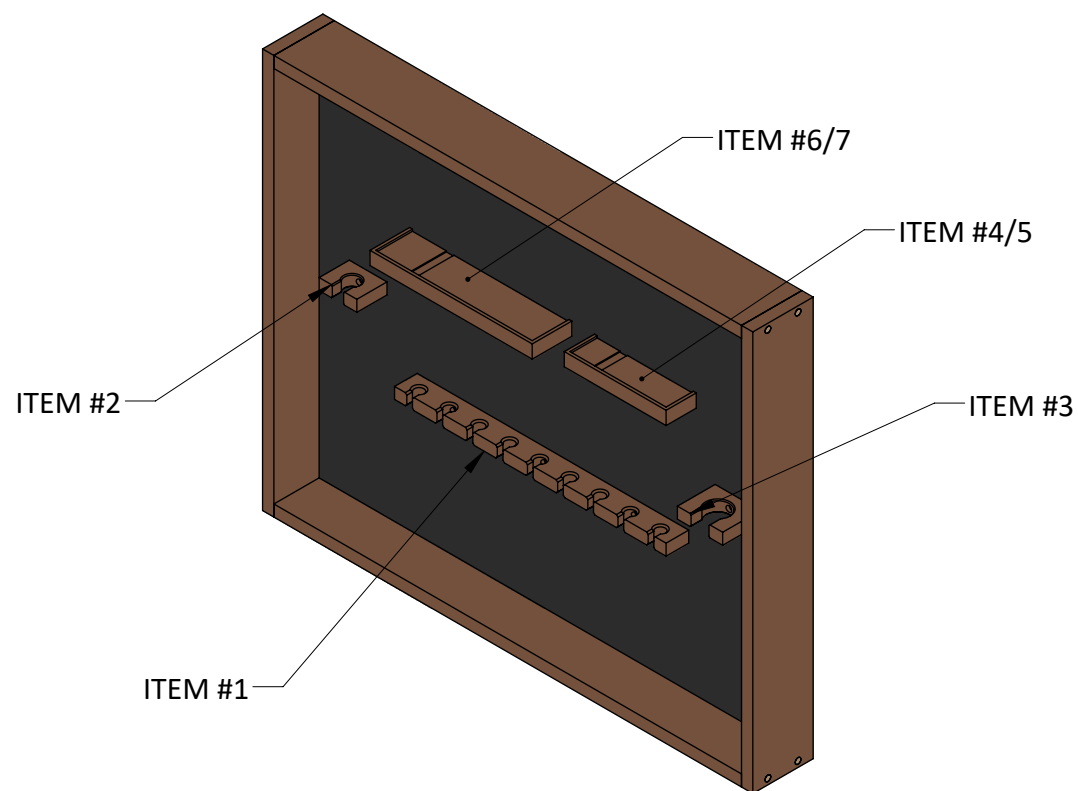
STEP 4

INSTALL TOOL HOLDERS WITH 1-1/4" POCKET HOLE SCREW THROUGH COUNTERBORED HOLE. DIMENSIONS REFLECT LOCATIONS FOR MY TOOL ORGANIZER, ADJUST AS NEEDED FOR YOUR TOOLS.



STEP 5

INSTALL PLANE SHELVES WITH TWO 2" POCKET HOLE SCREWS (BLOCK PLANE SHELF) AND THREE 2-1/2" POCKET HOLE SCREWS (JACK PLANE SHELF) THROUGH BACK OF ITEM #8 INTO BACK OF PLANE SHELVES. PRE-DRILLING HOLE LOCATIONS IN ITEMS IS RECOMMENDED.



PROJECT NAME: HAND TOOL ORGANIZER

DRAWING NAME: TOOL ORGANIZER ASSEMBLY CONT.

REV	DATE	BY	DESCRIPTION
00	6/27/22	MP	INITIAL RELEASE

Woodshop Mike, LLC and it's affiliates are not responsible for any damages that may come to persons or properties involved during the creation or use of this project or plans. The use of these plans and construction of this projects is acknowledgement that you as the fabricator assume all liability for proper construction and safe use of the project through all stages.

SHT. NO:

8