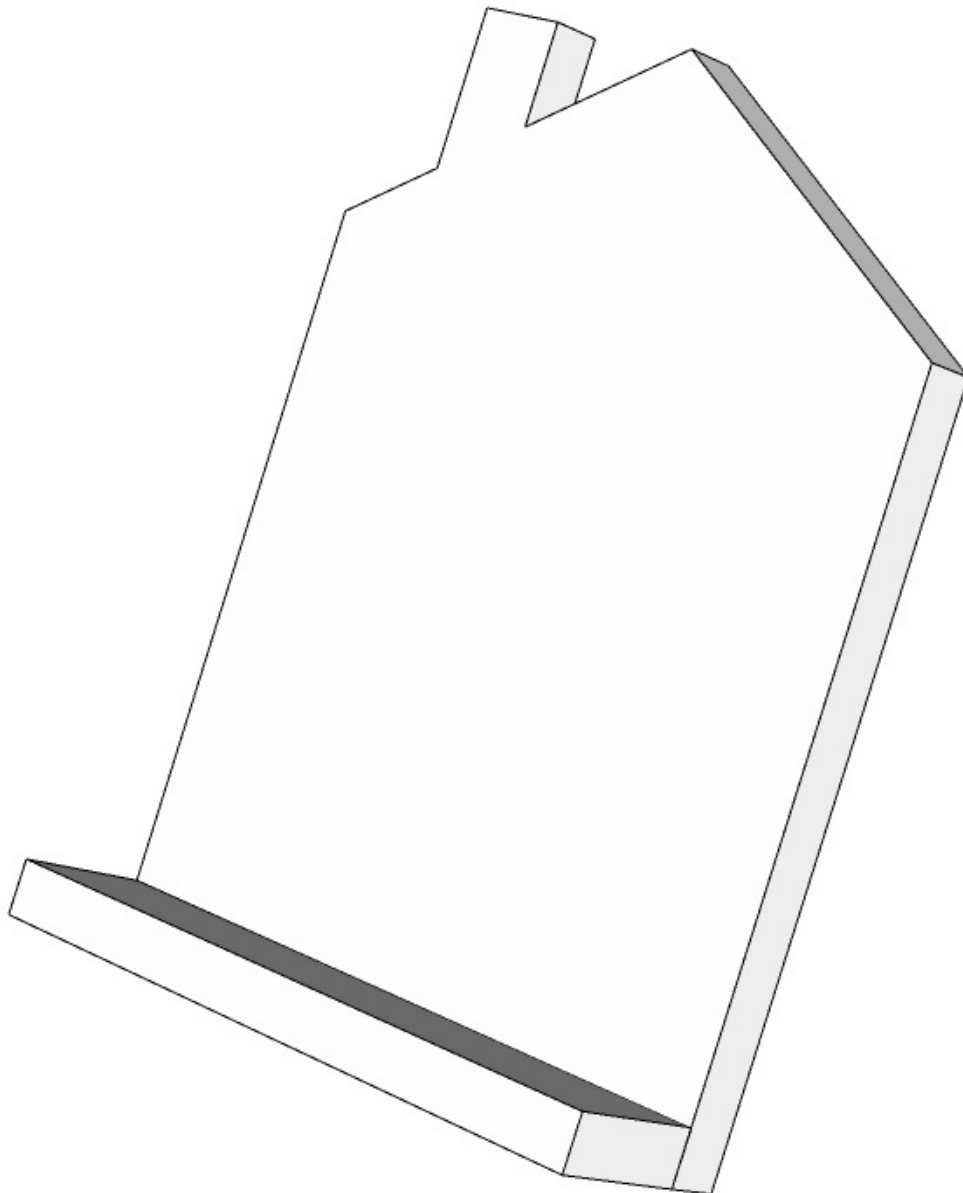


COOKBOOK STAND

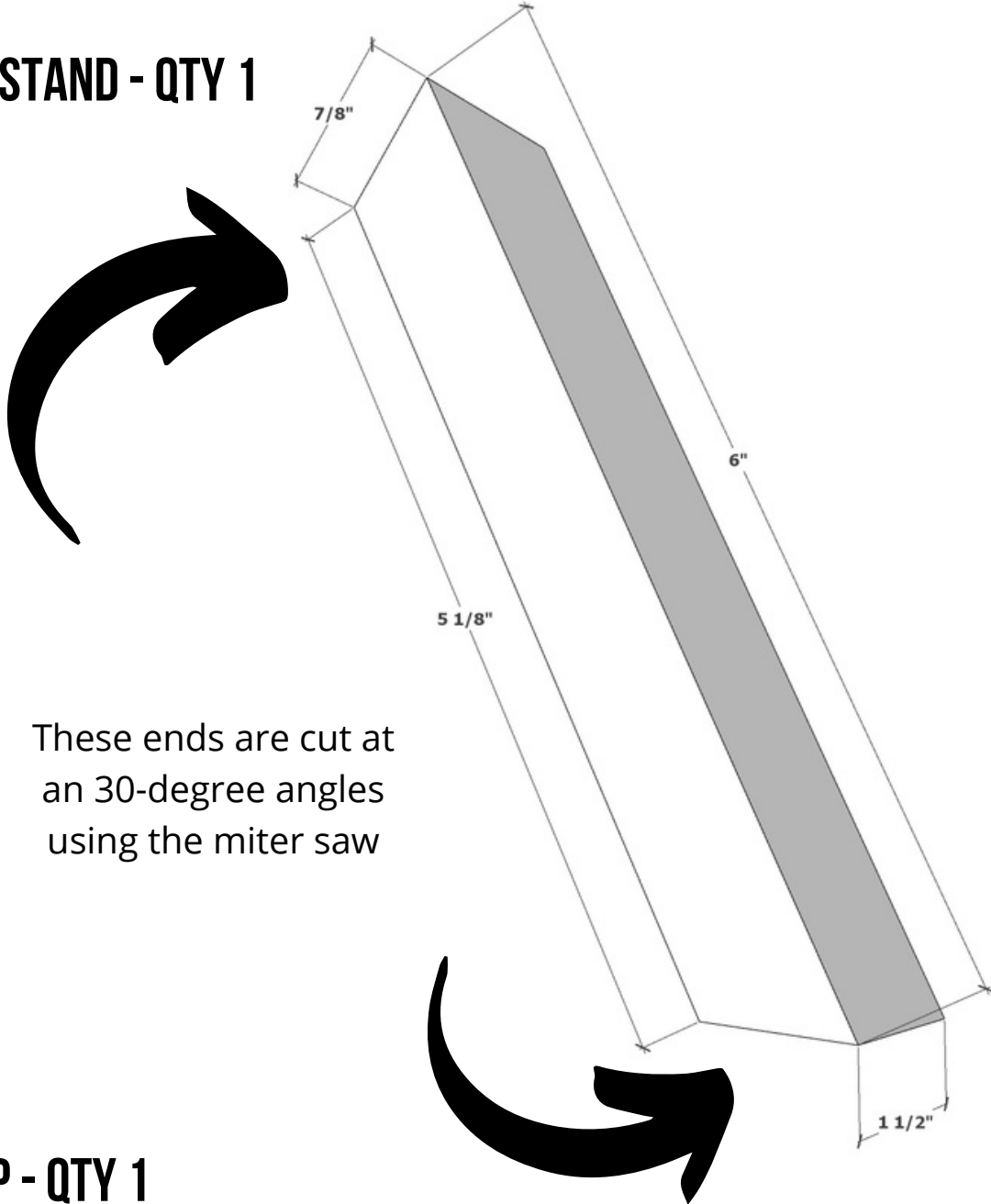
Woodworking Plans

By: Making Manzanita

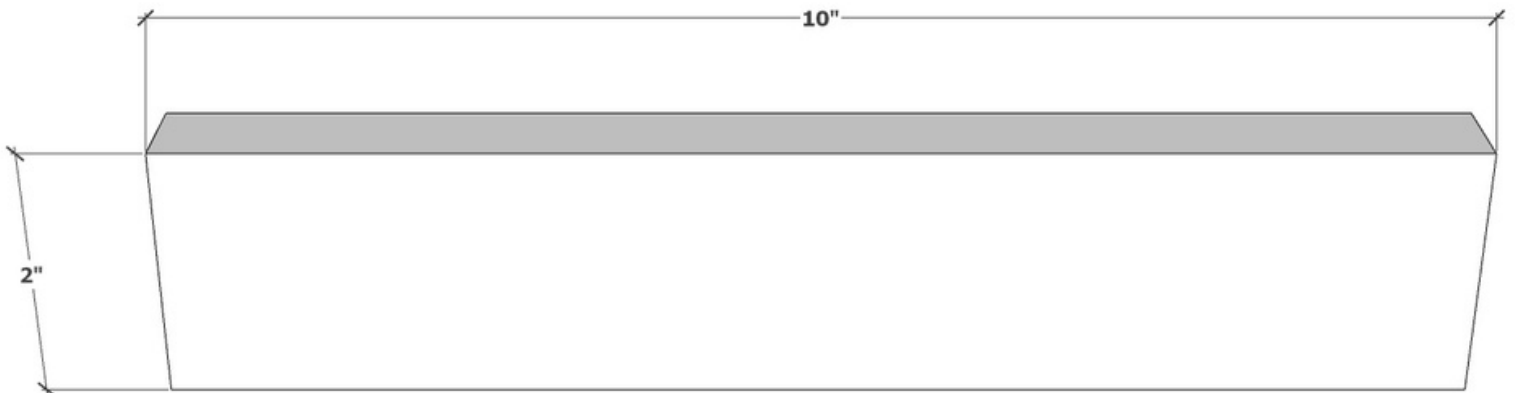


COOKBOOK STAND: VISUAL CUT LIST

BACK STAND - QTY 1

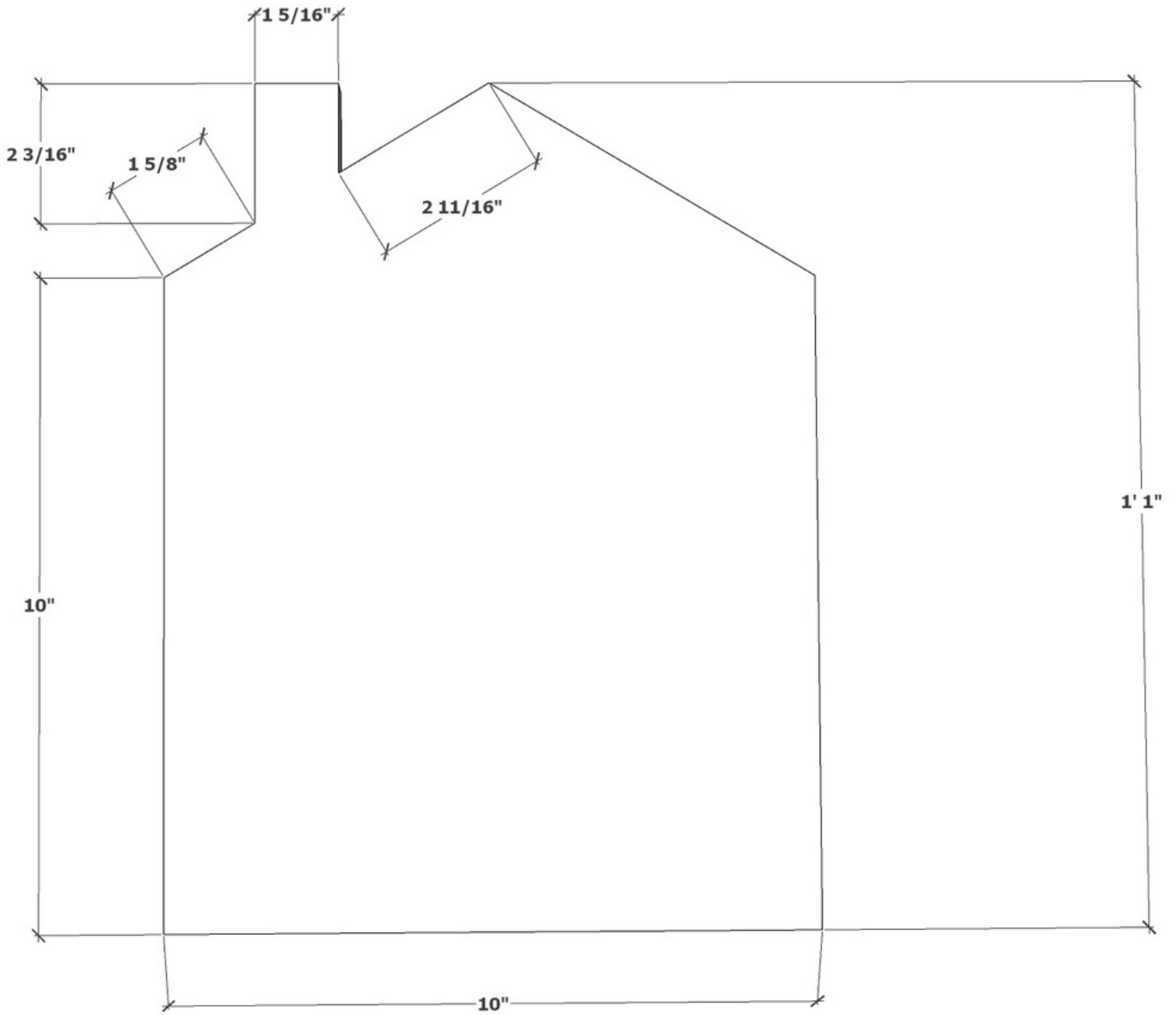


FRONT LIP - QTY 1



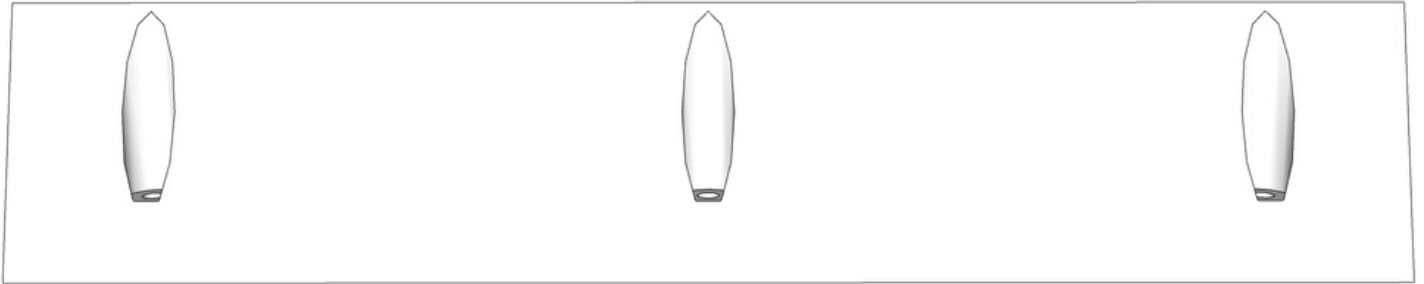
COOKBOOK STAND: VISUAL CUT LIST (CONTINUED)

HOUSE SHAPE - QTY 1

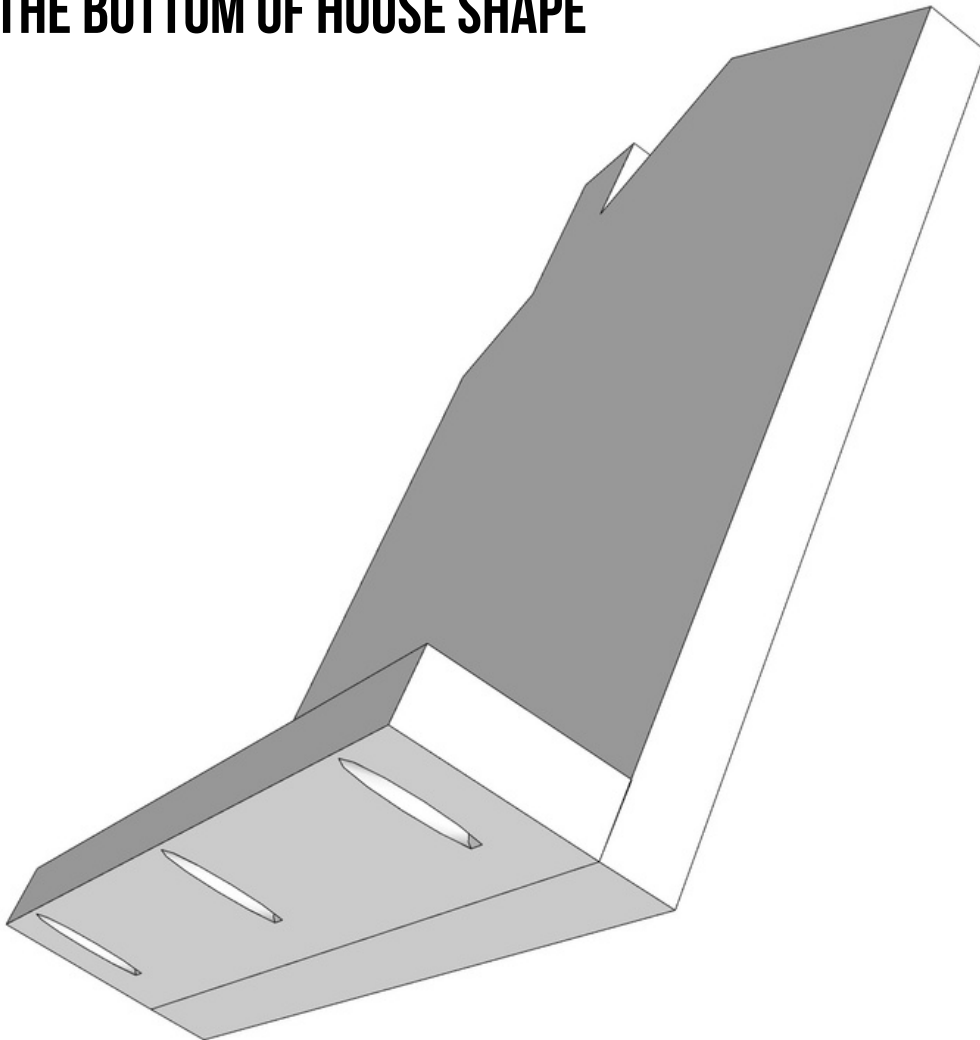


COOKBOOK STAND : ASSEMBLY

ADD MICRO POCKET HOLES TO THE BOTTOM OF THE FRONT LIP

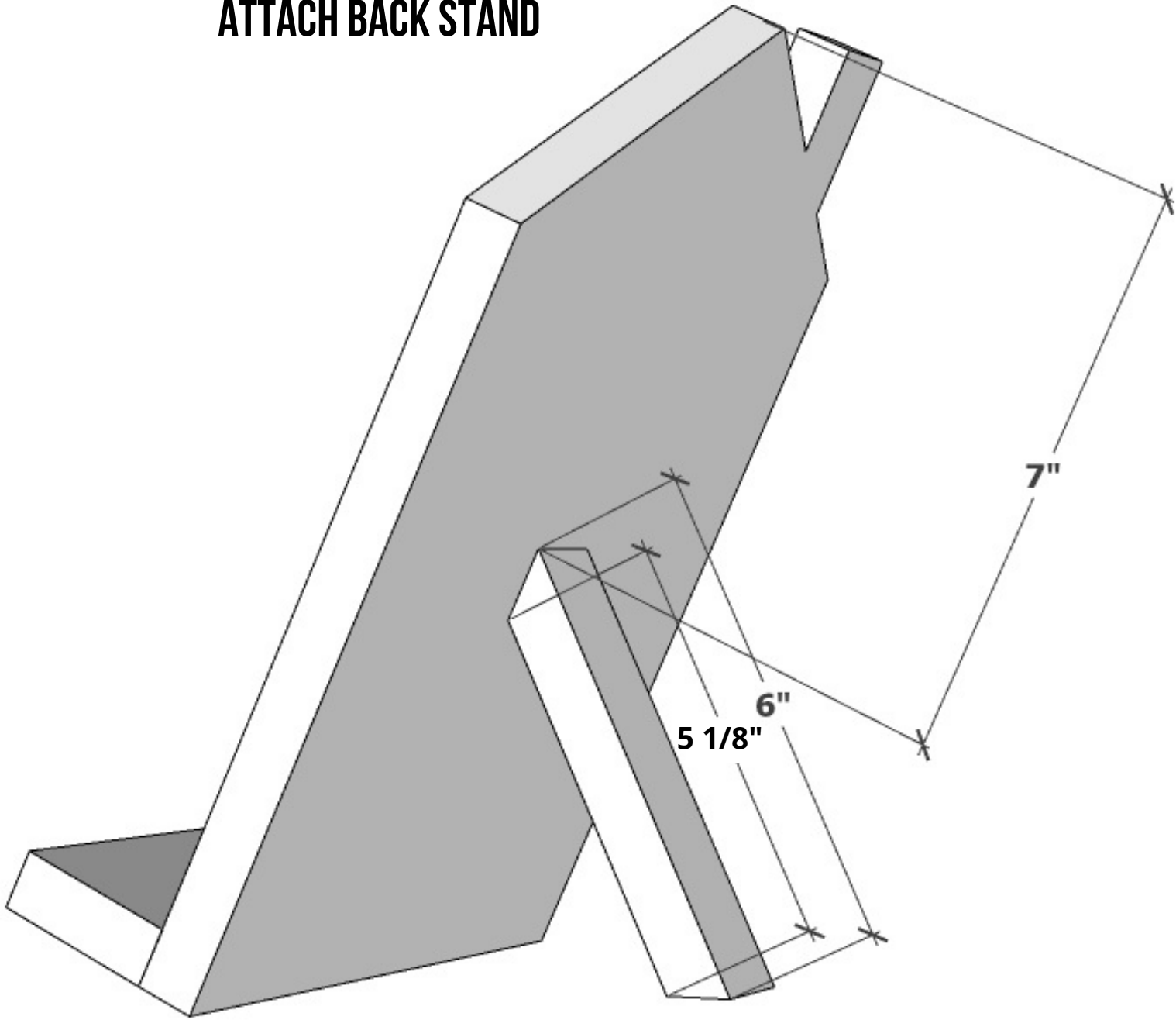


ATTACH TO THE BOTTOM OF HOUSE SHAPE

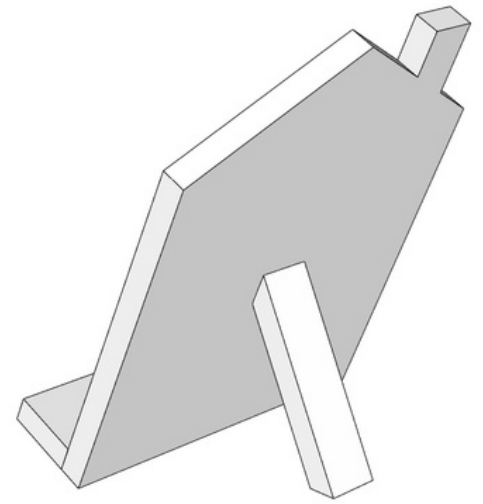
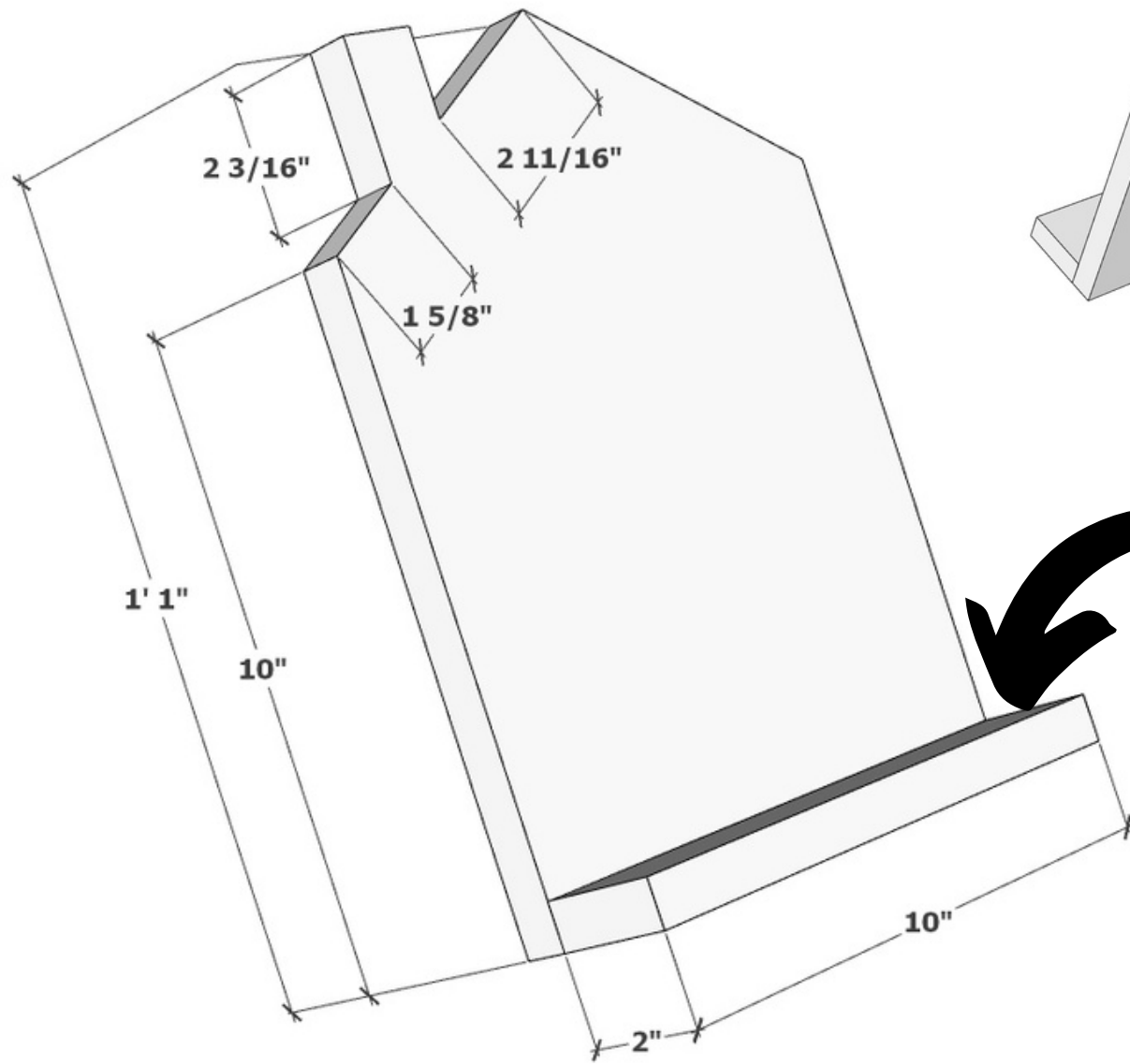


COOKBOOK STAND : ASSEMBLY

ATTACH BACK STAND



COOKBOOK STAND: ASSEMBLED



Attach drawer pull here once finished to hold cookbook pages opened