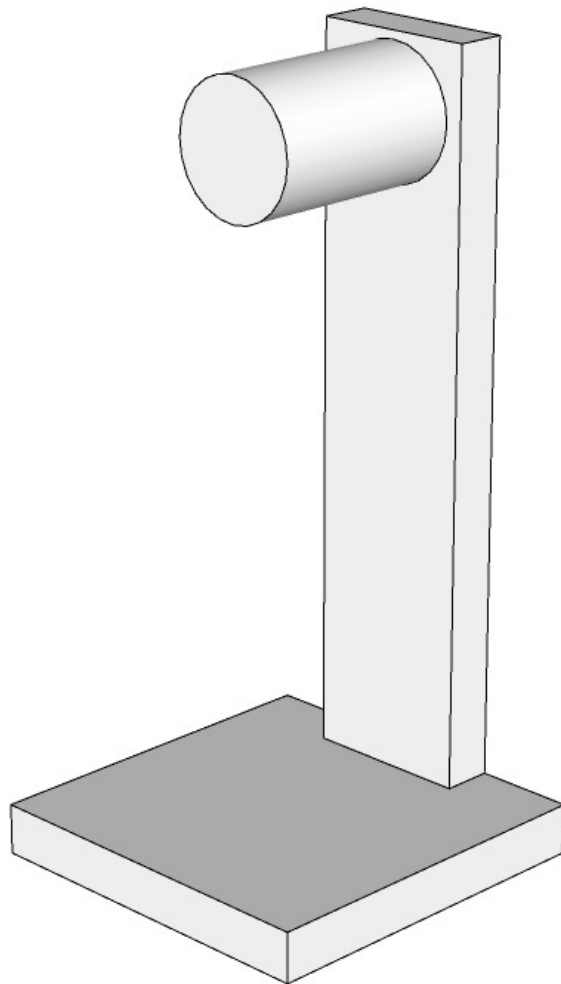


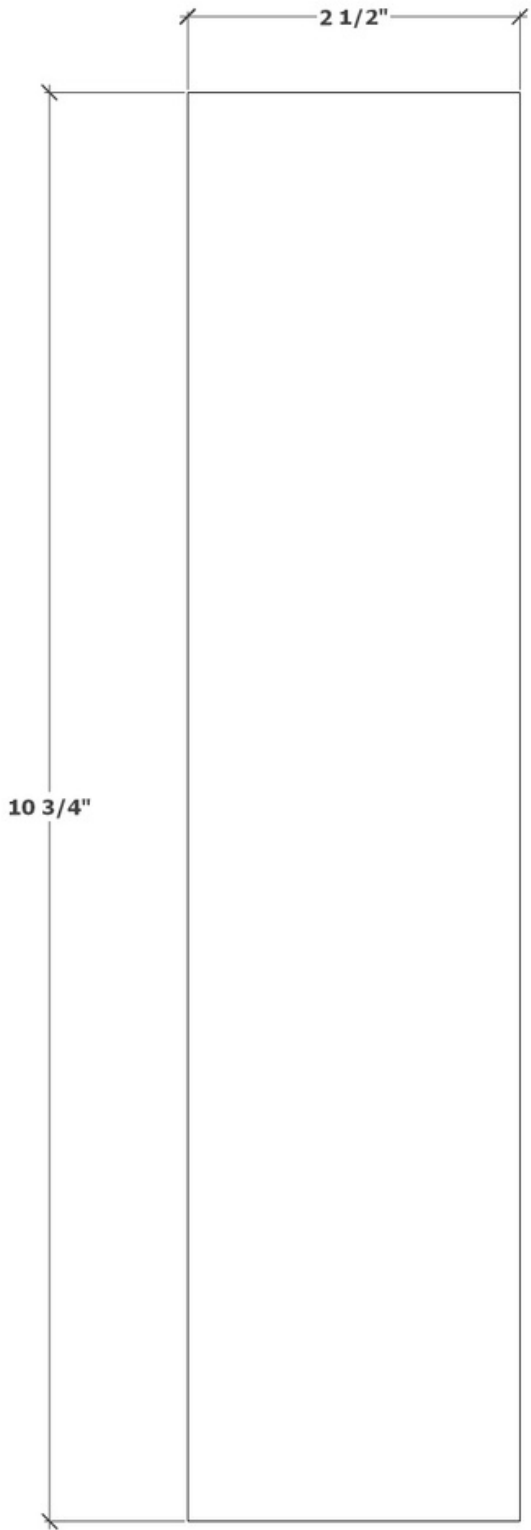
HEADPHONE HOLDER

Woodworking Plans

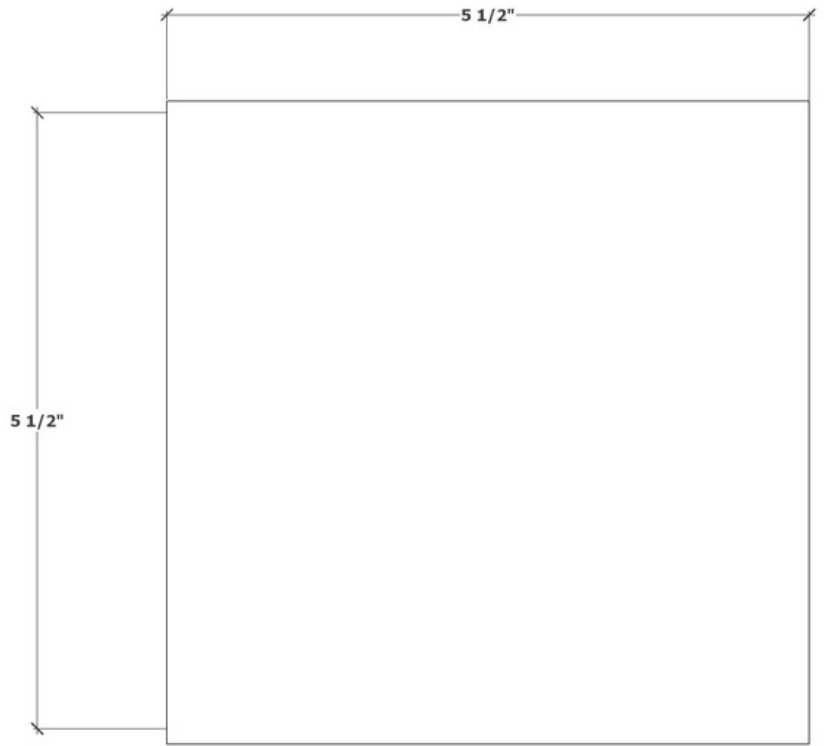
By: Making Manzanita



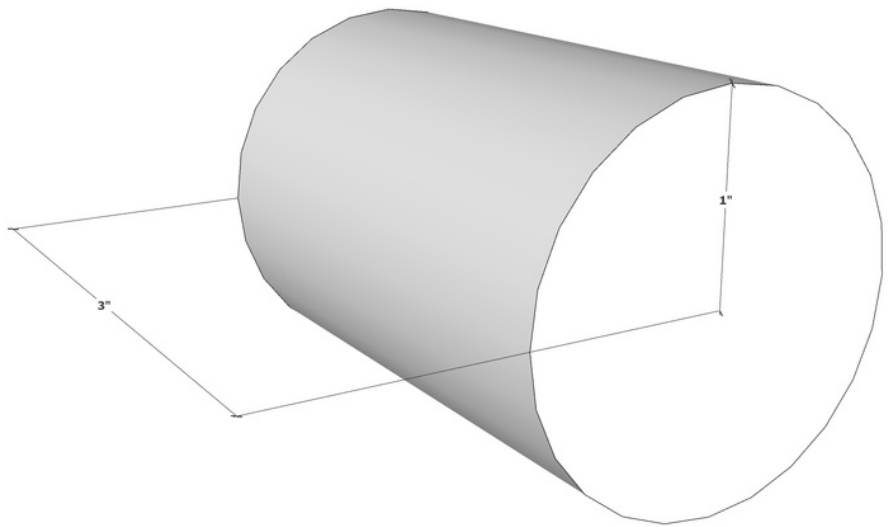
HEADPHONE HOLDER: VISUAL CUT LIST



BACK PIECE - QTY 1

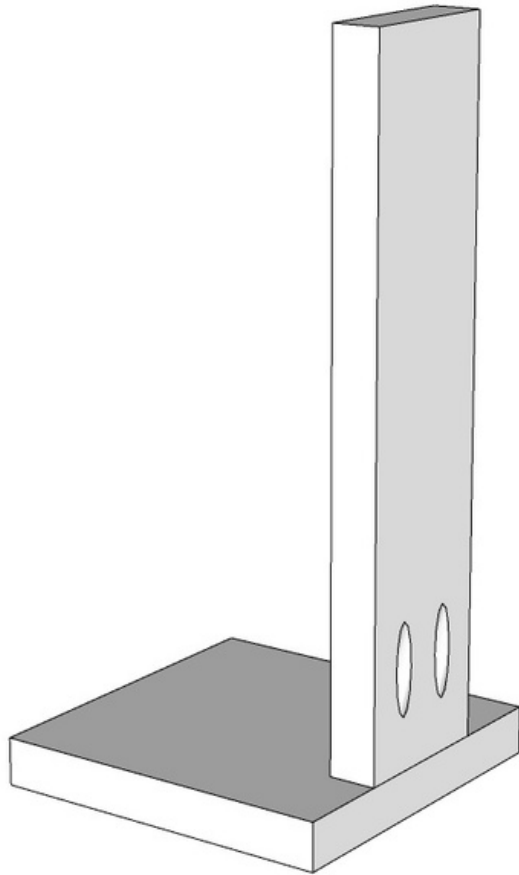


BOTTOM PIECE - QTY 1

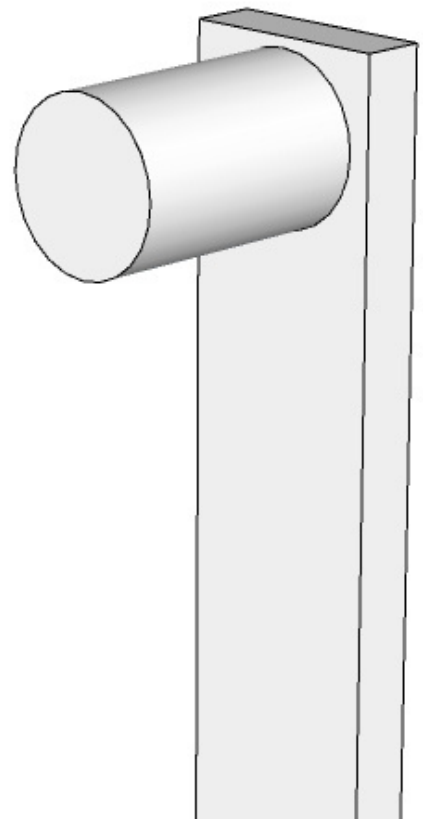


DOWEL - QTY 1

HEADPHONE HOLDER : ASSEMBLY



**START BY ATTACHING THE BOTTOM
AND THE BACK PIECE WITH POCKET
HOLE JOINERY**



**THEN ADD THE DOWEL TO THE
FRONT. WE ATTACHED WITH A T-
NUT AND HANGER BOLT**

HEADPHONE HOLDER: ASSEMBLED

