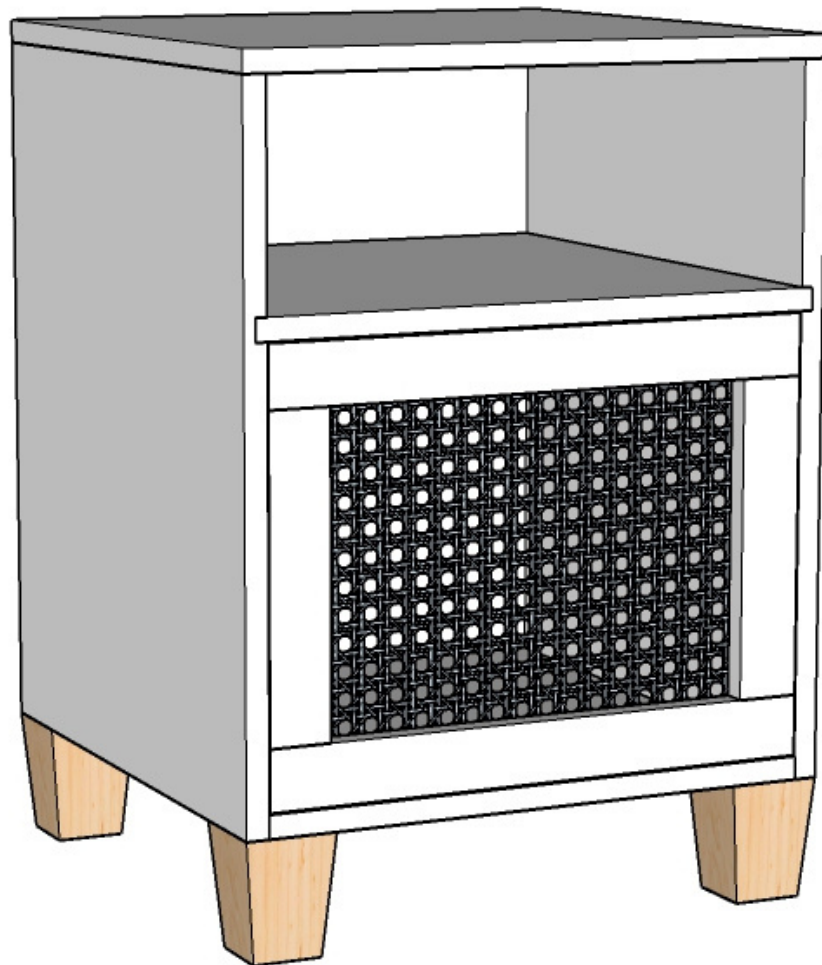


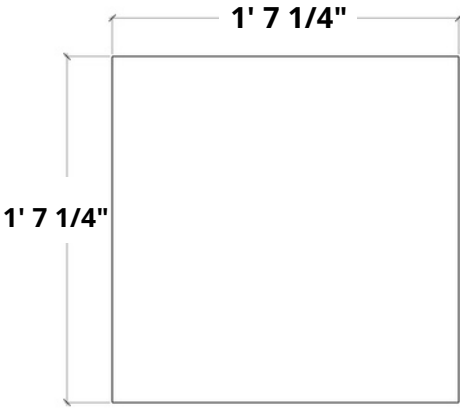
CANE NIGHTSTAND

Woodworking Plans

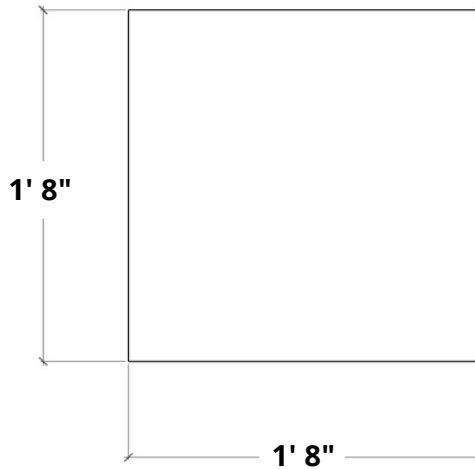
By: Making Manzanita



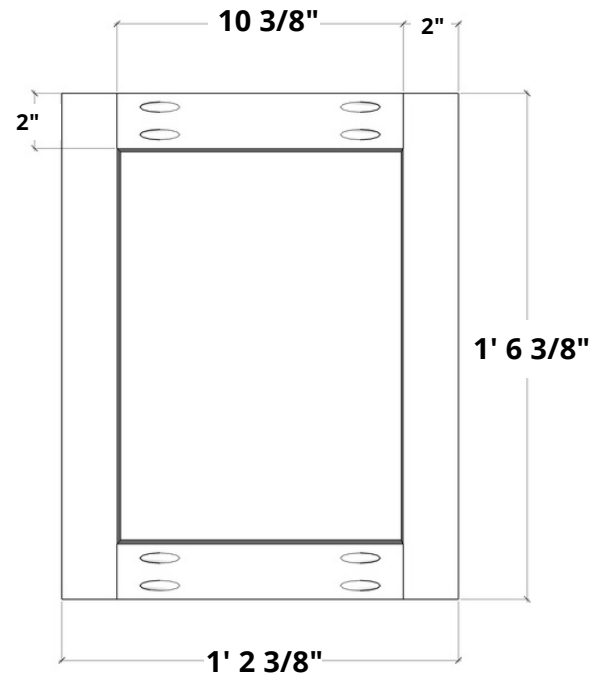
CANE NIGHTSTAND: VISUAL CUT LIST



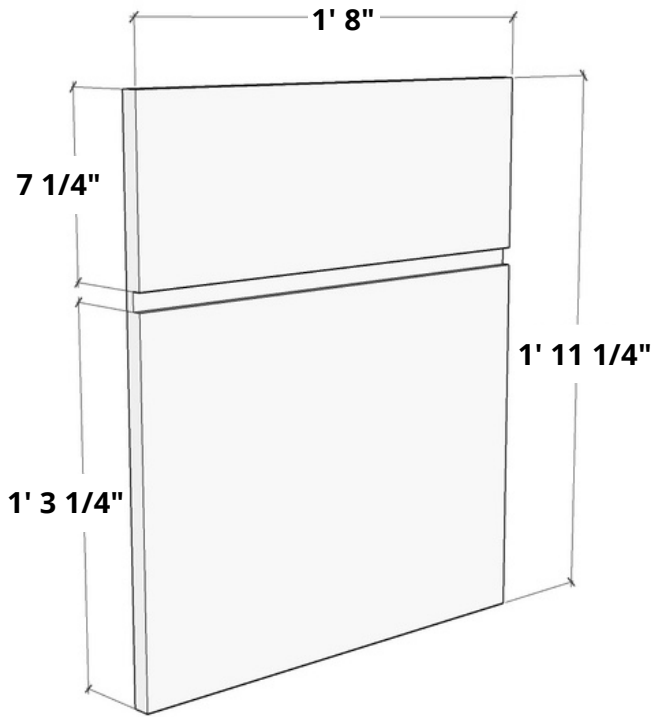
SHELF - QTY 1



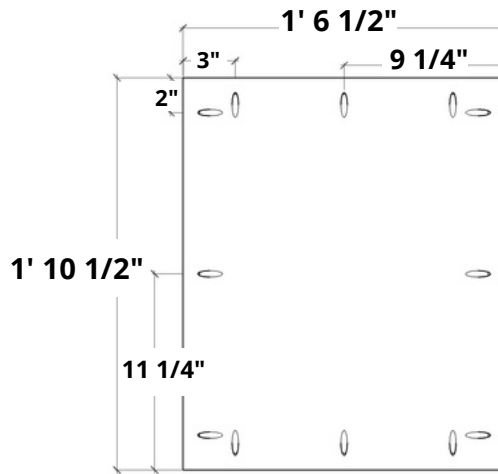
TOP PANEL - QTY 1



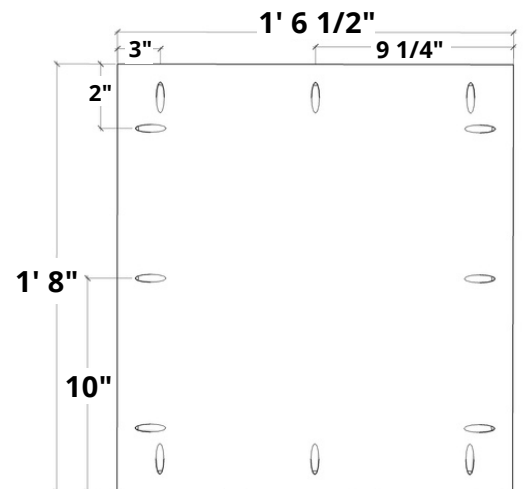
DOOR - QTY 1 (4 PIECES)



SIDE PANELS - QTY 2

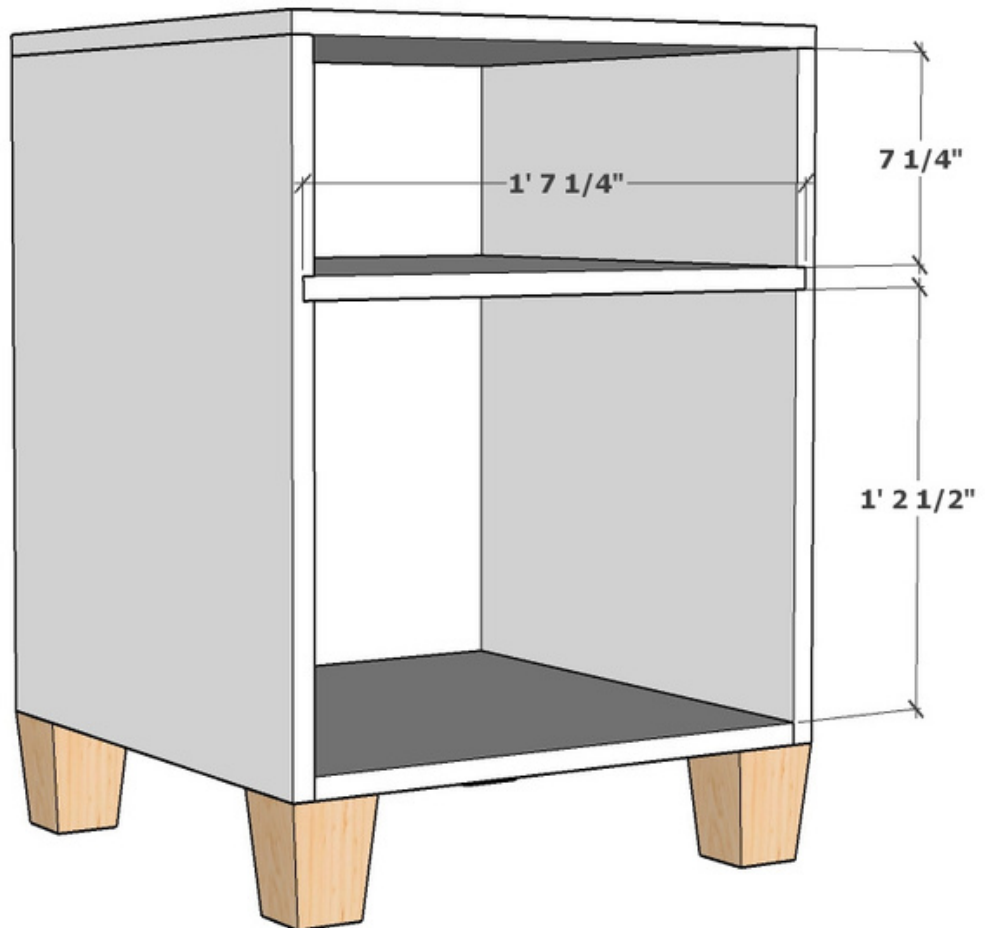
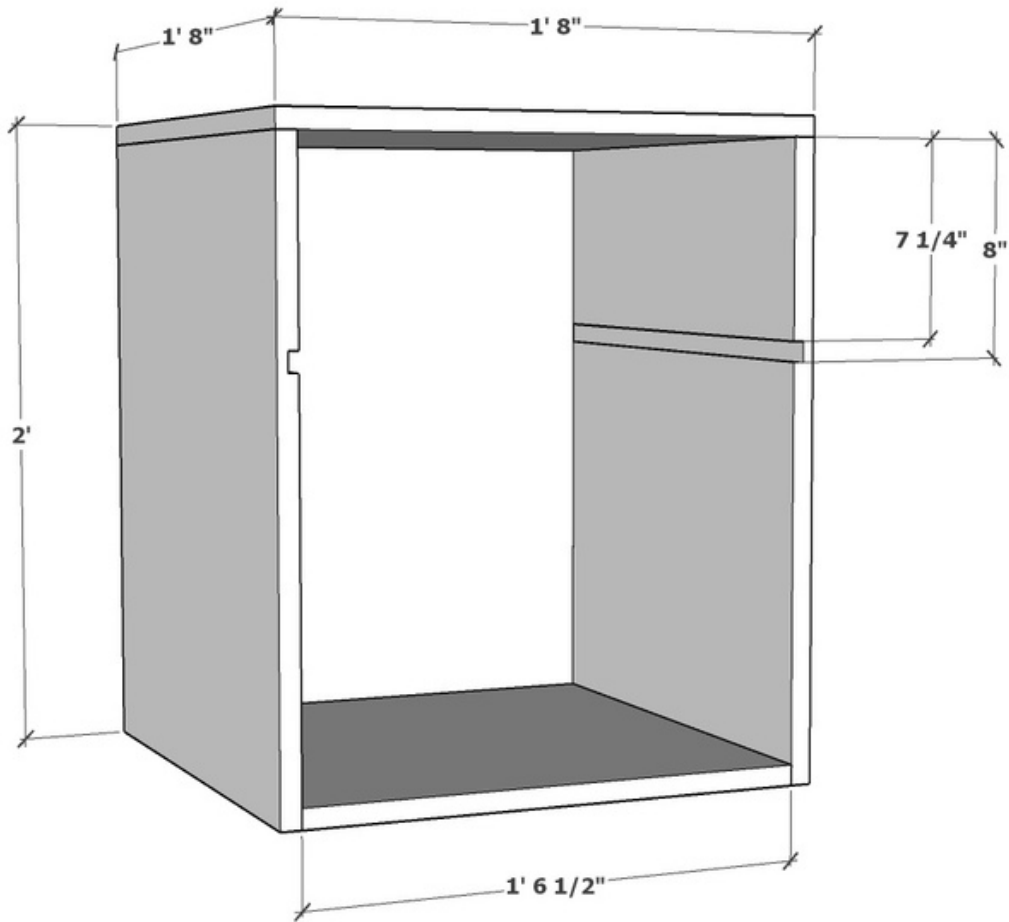


BACK PANEL - QTY 1



BOTTOM PANEL - QTY 1

CANE NIGHTSTAND: ASSEMBLY



CANE NIGHTSTAND: ASSEMBLY

DOOR - BACK VIEW WITH CANE ATTACHED

