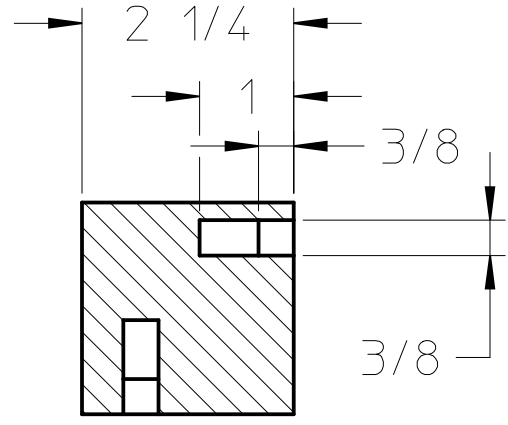
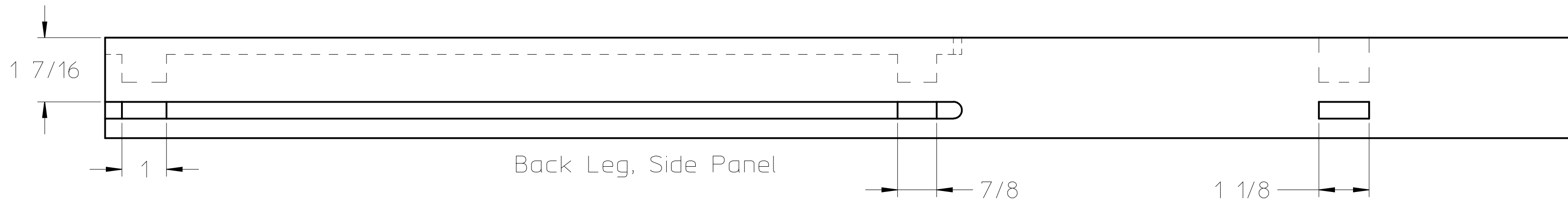
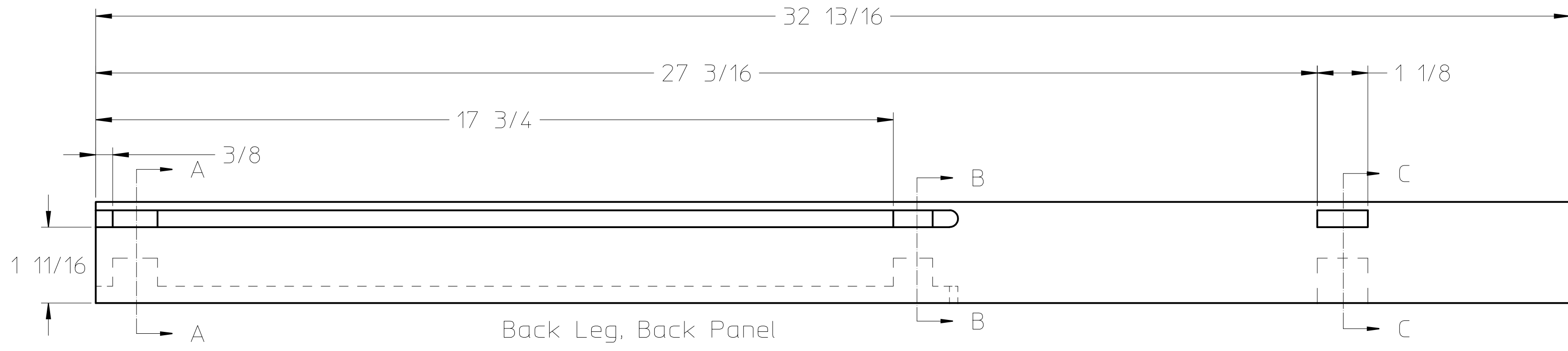


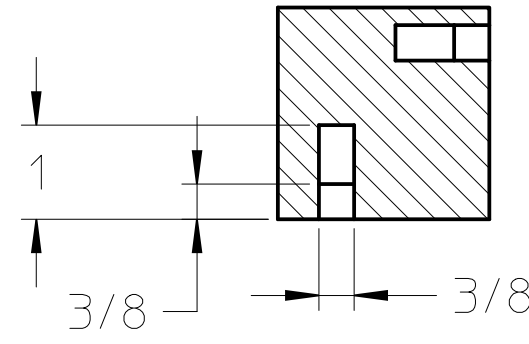
72

21

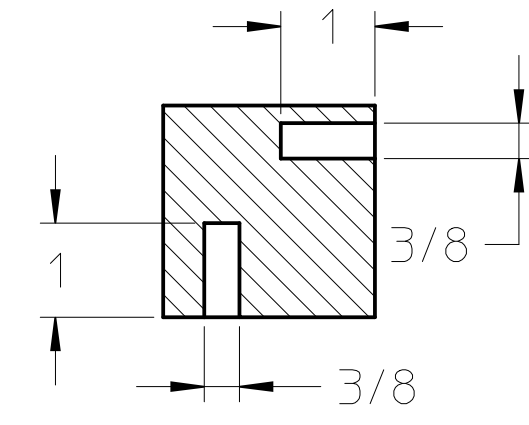
32 13/16



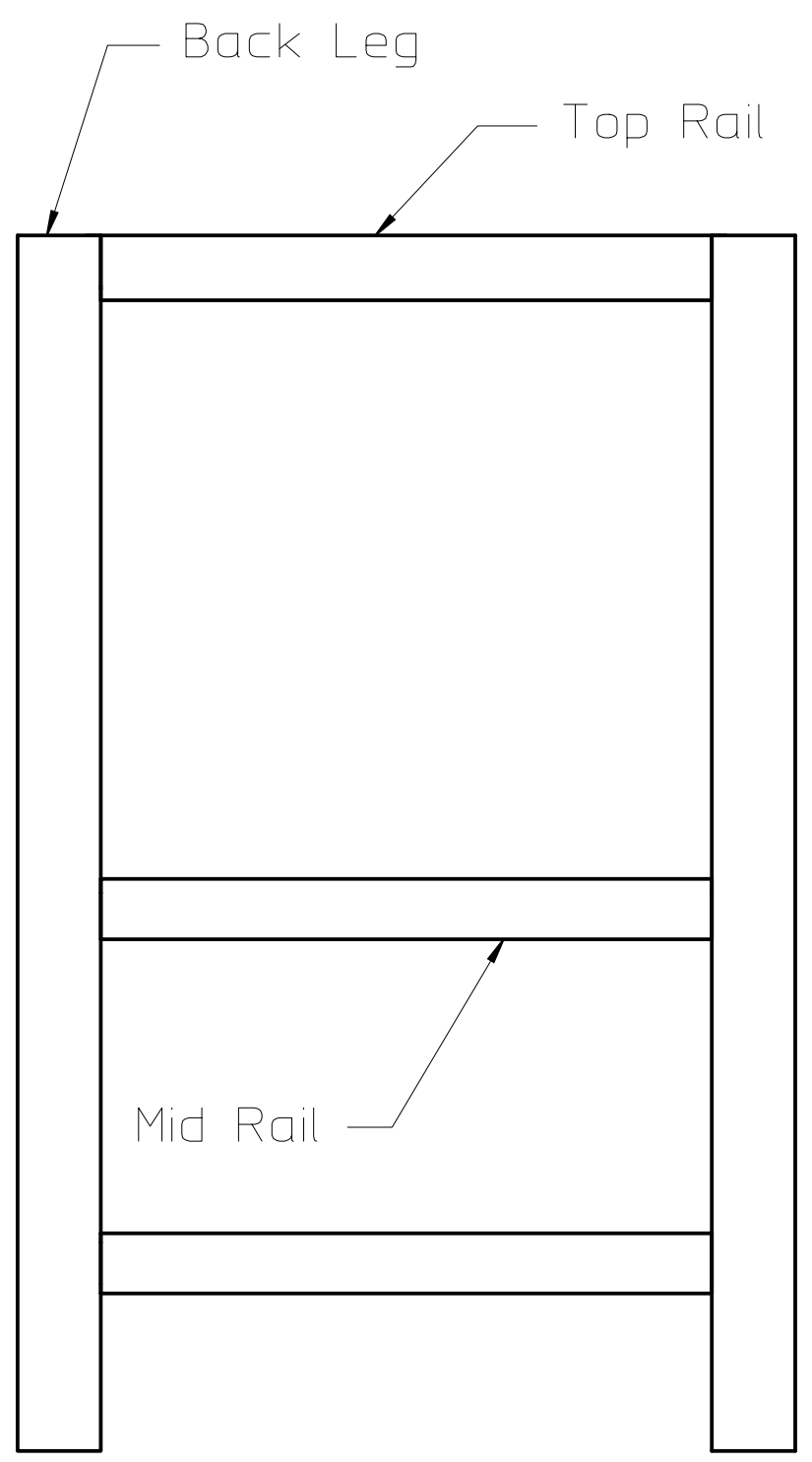
SECTION A-A



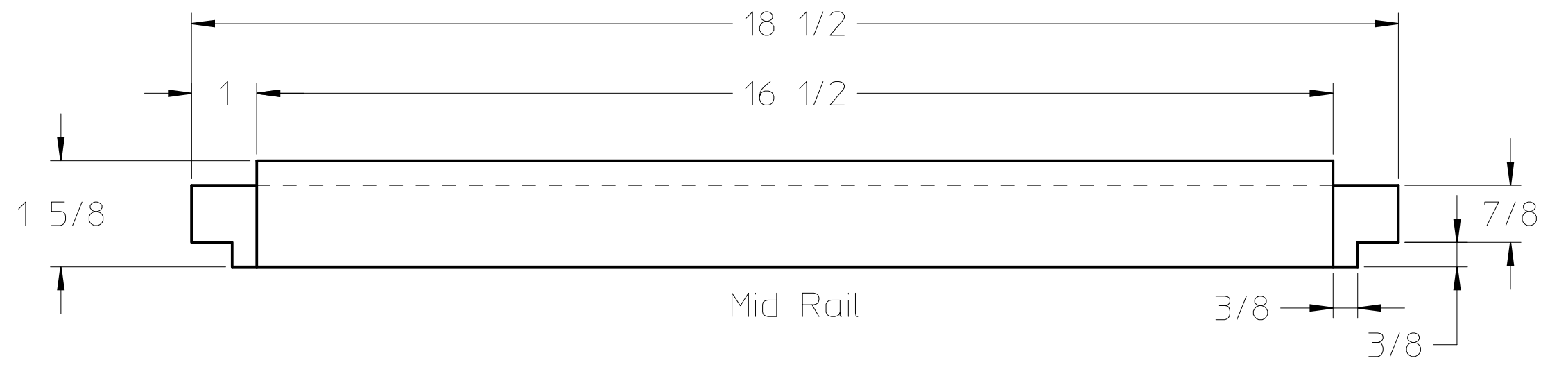
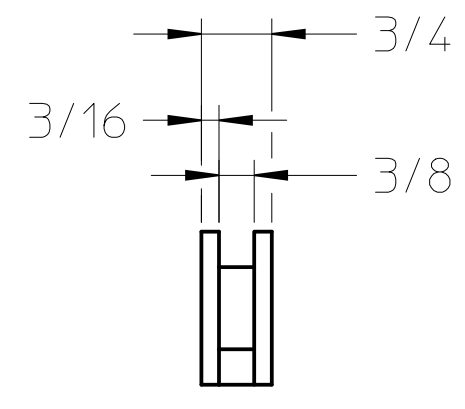
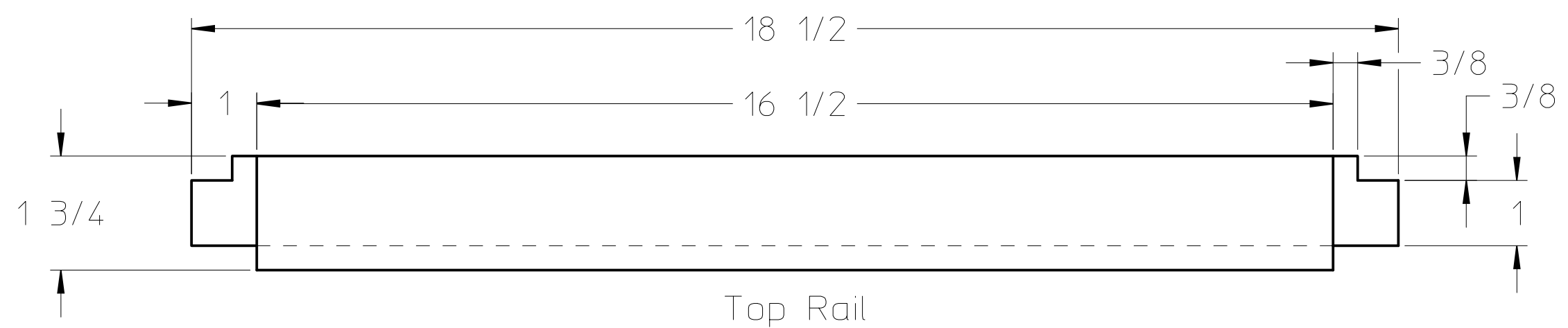
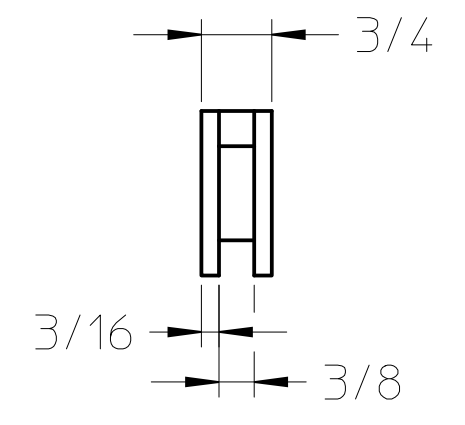
SECTION B-B

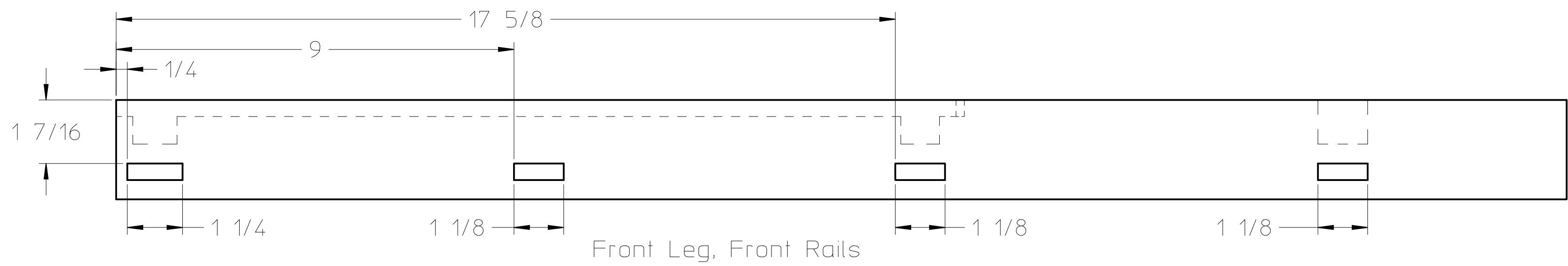
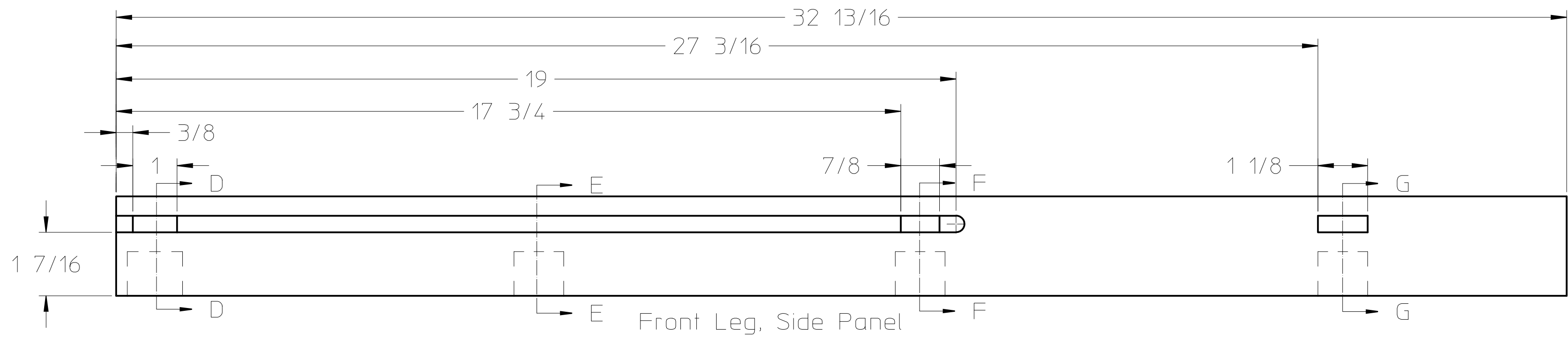


SECTION C-C

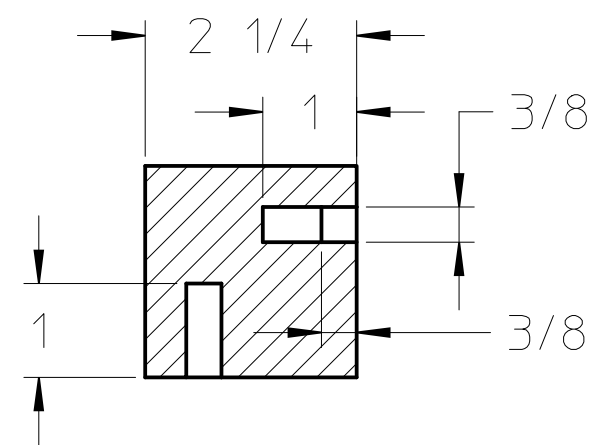
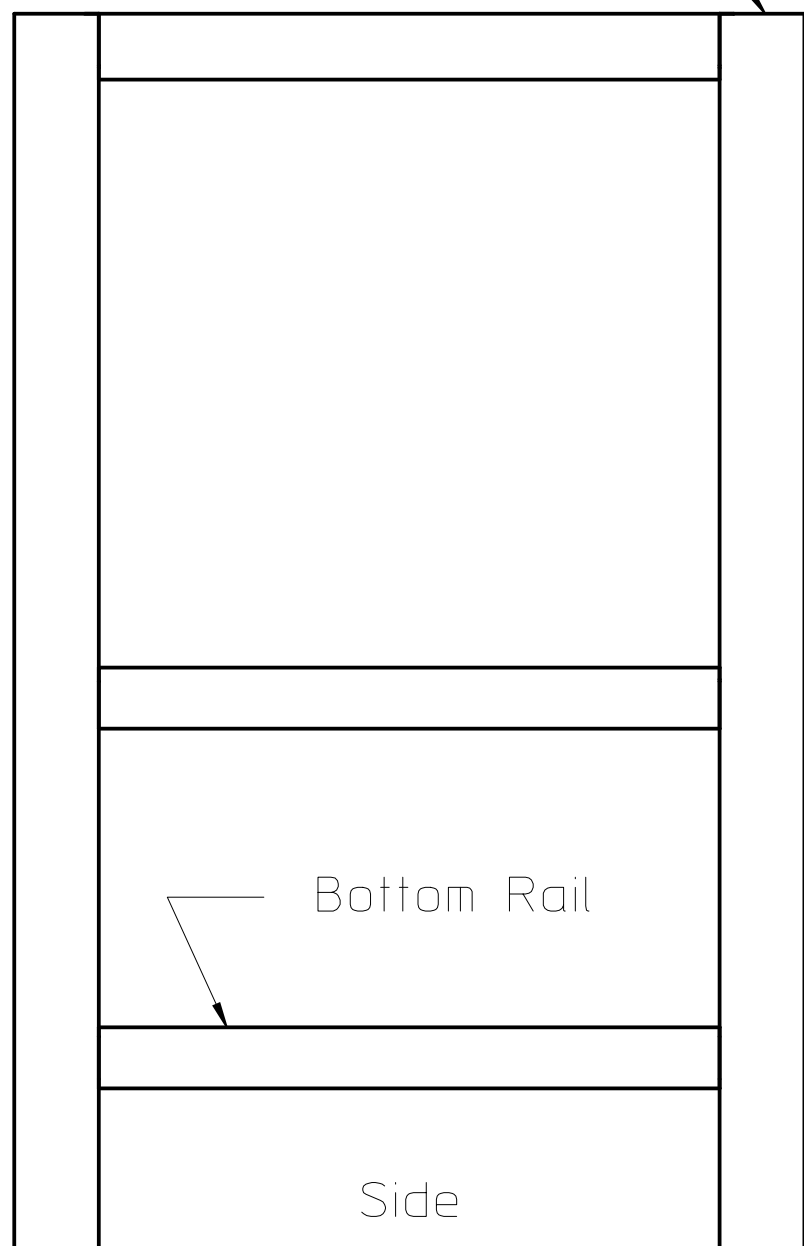


SIDE

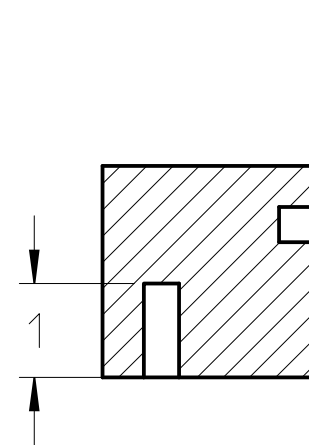




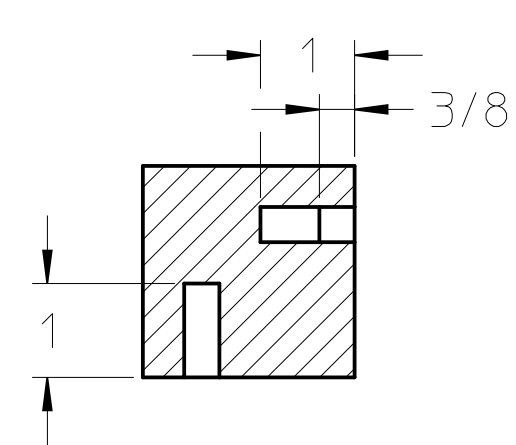
Front Leg



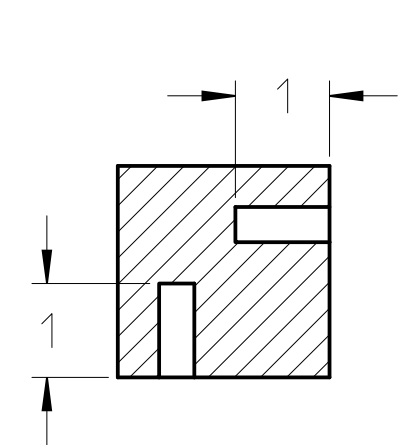
SECTION D-D



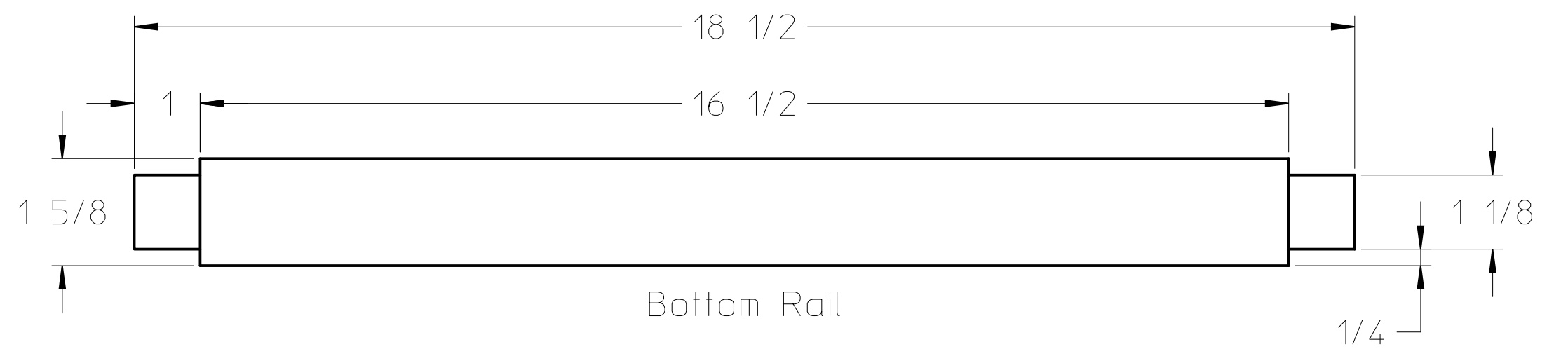
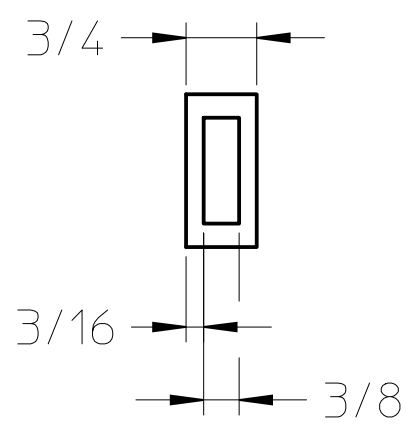
SECTION E-E



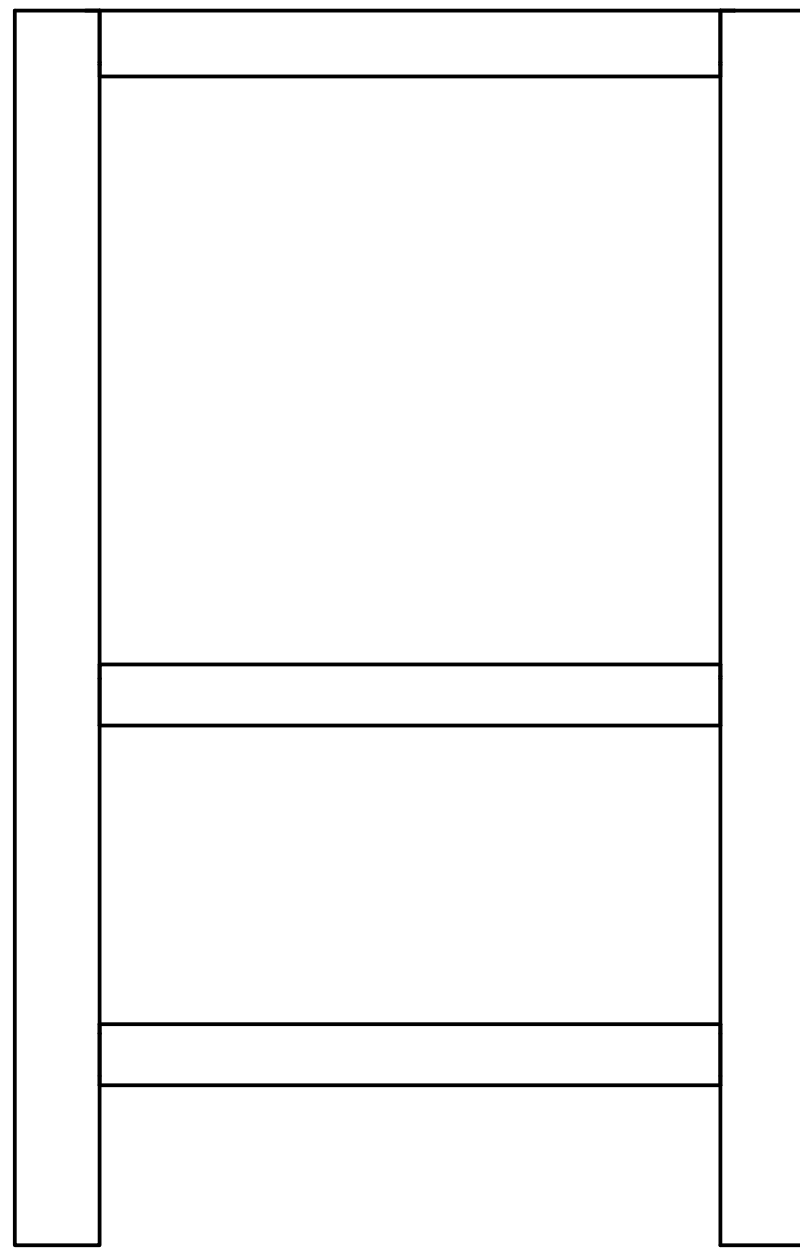
SECTION F-F



SECTION G-G

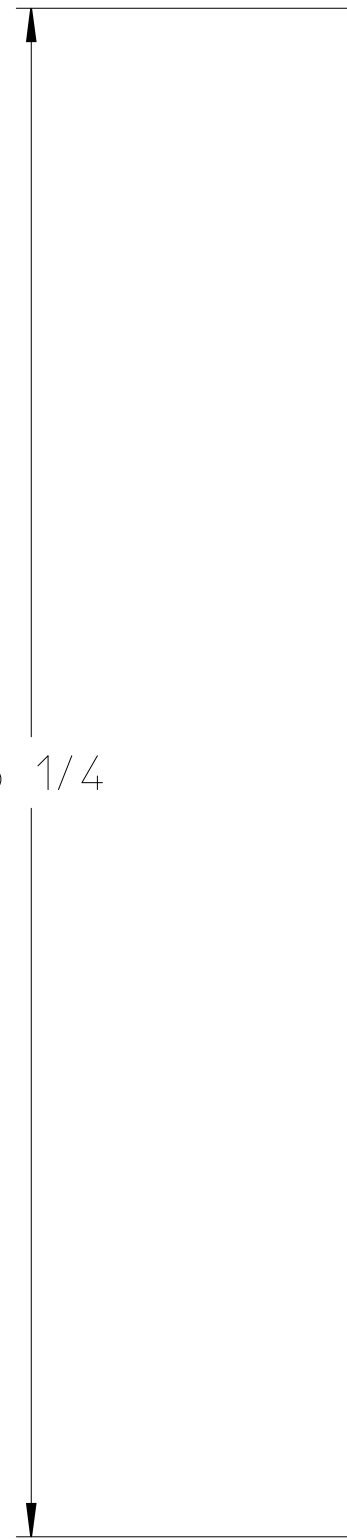


Panel

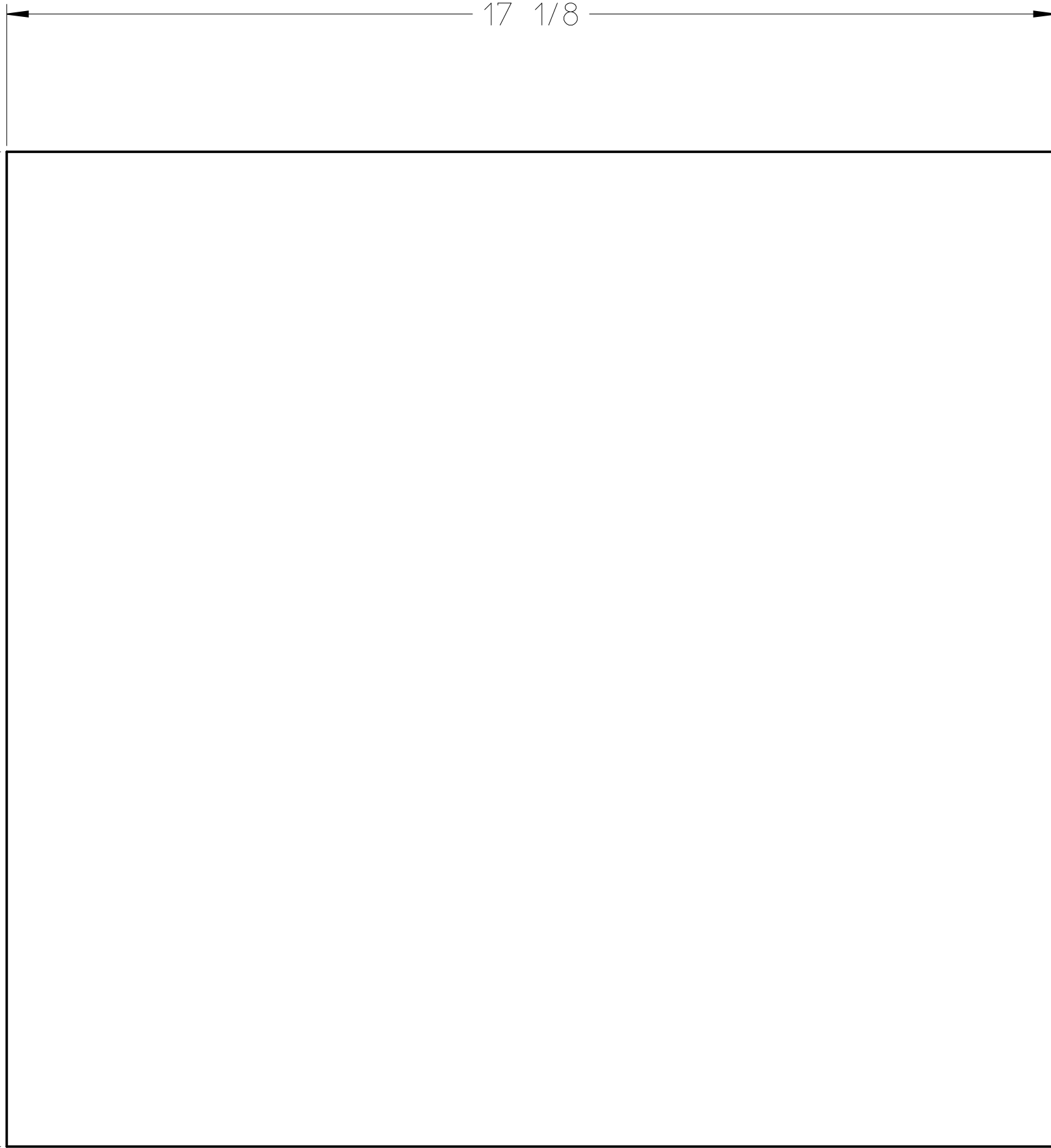


SIDE

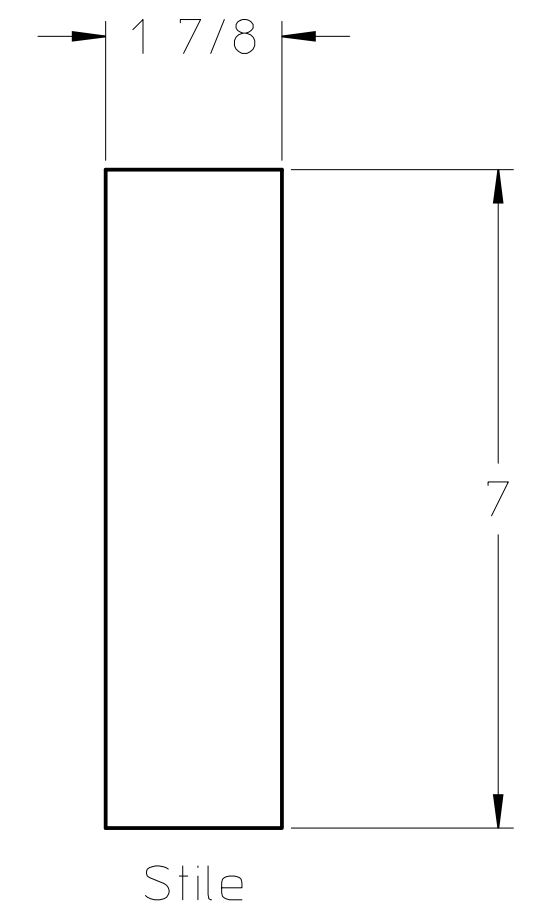
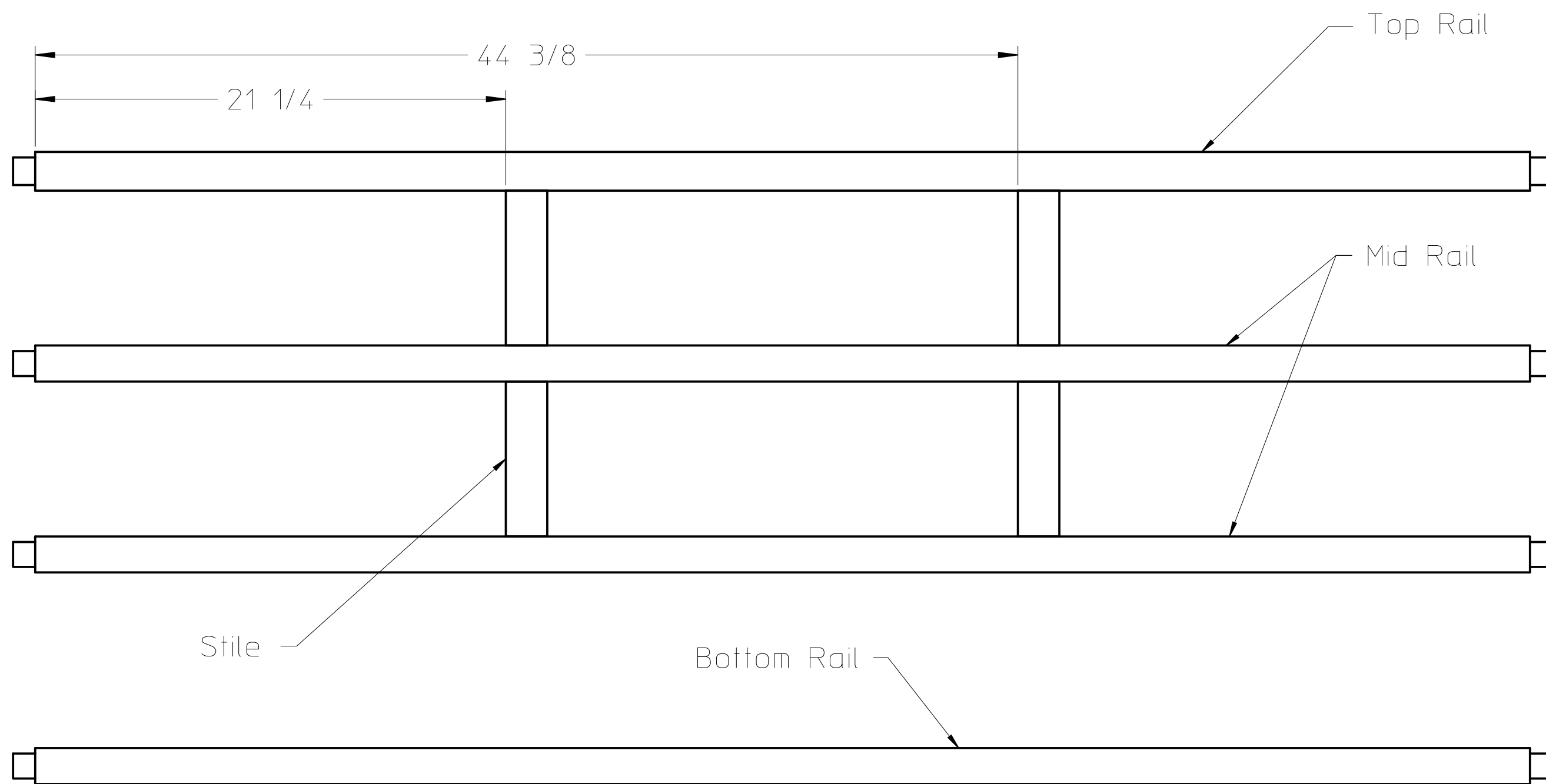
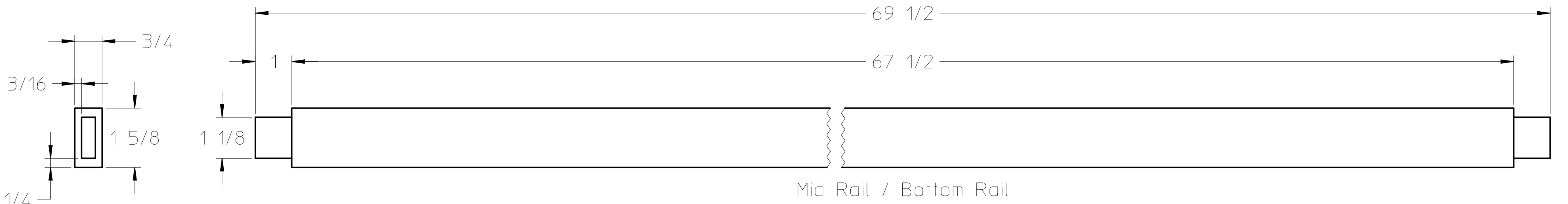
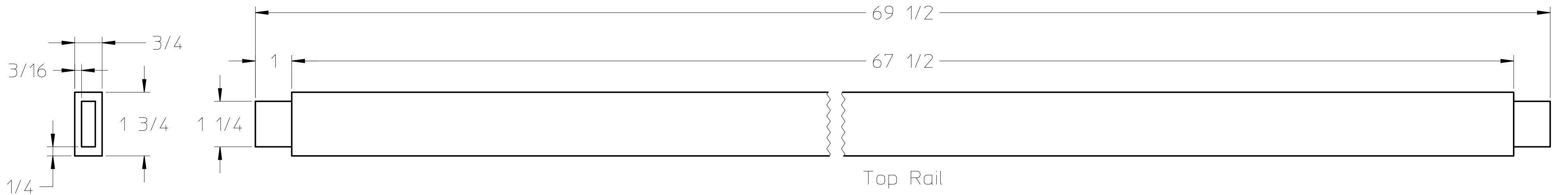
16 1/4



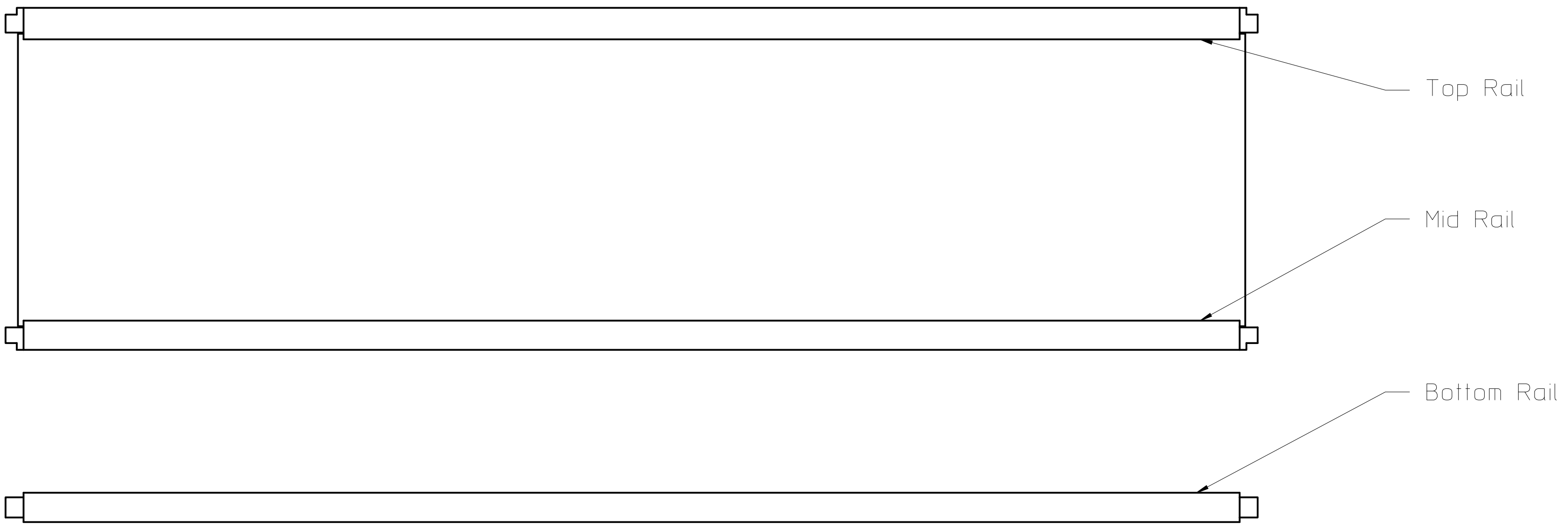
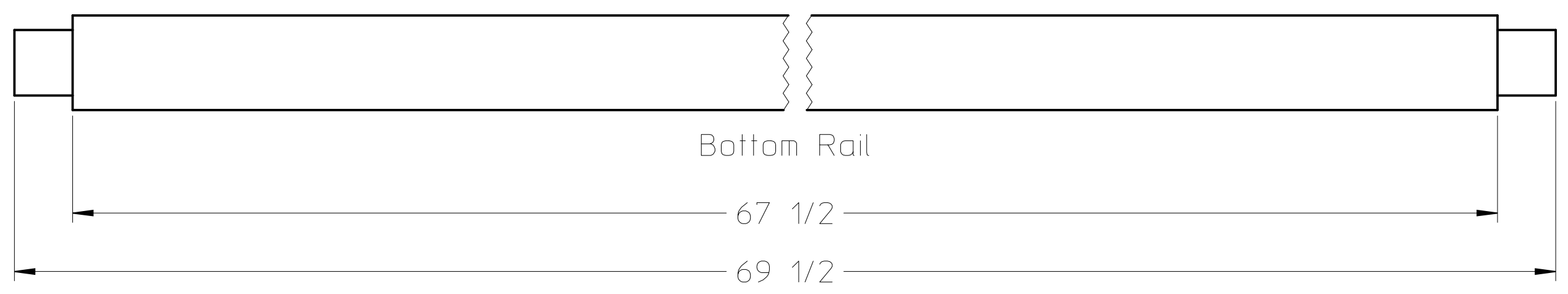
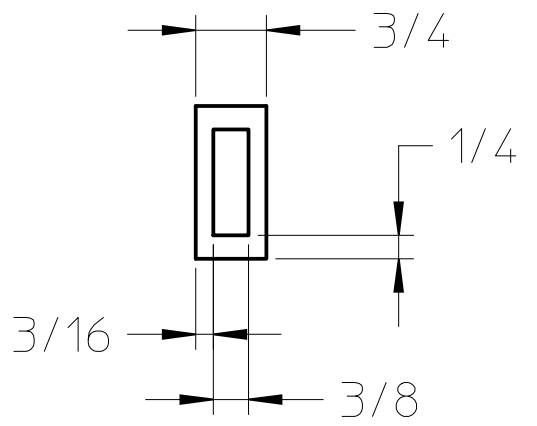
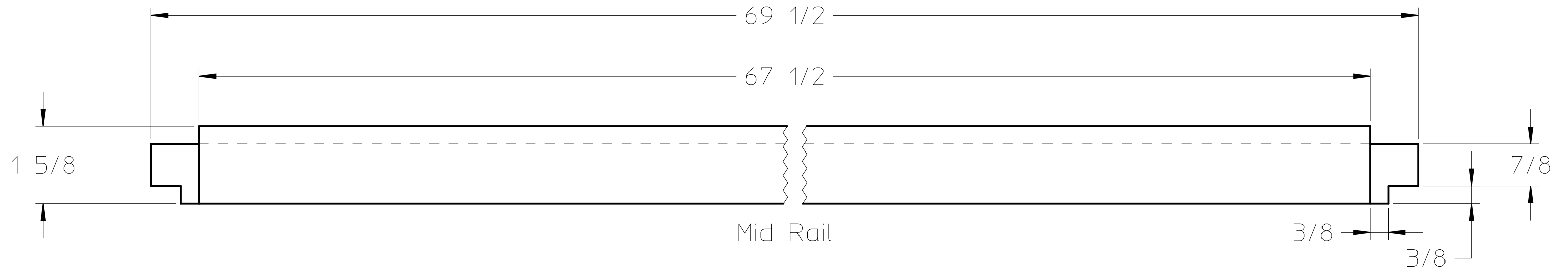
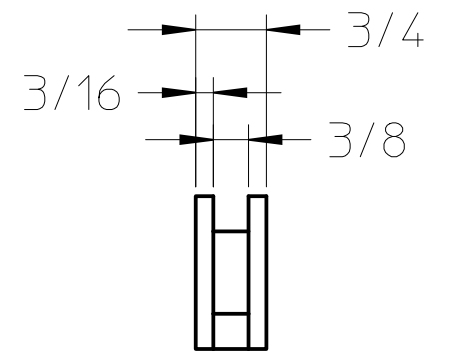
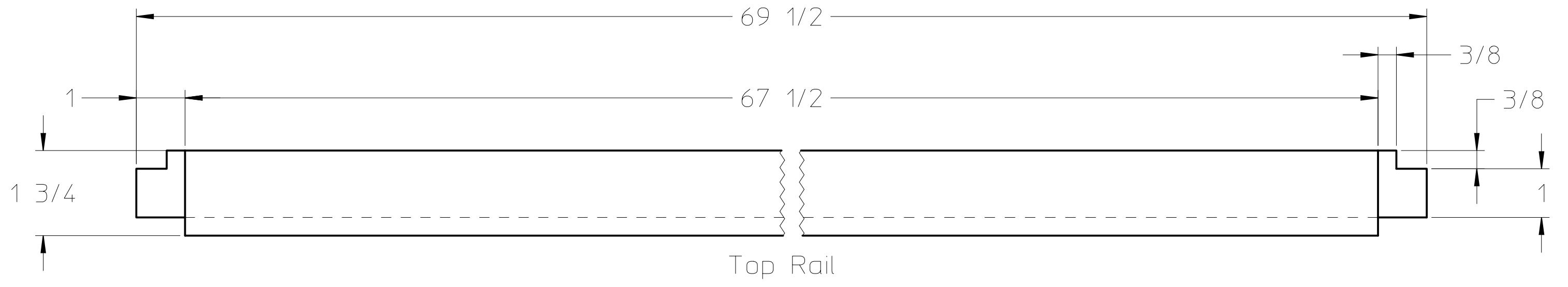
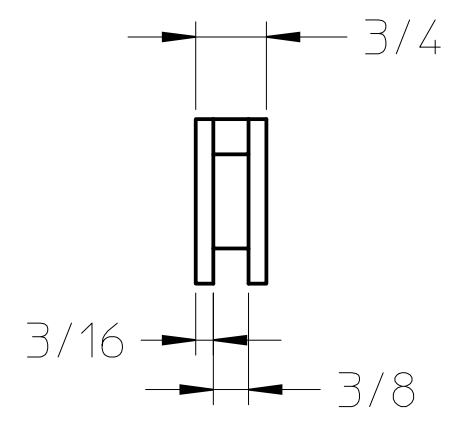
17 1/8



Side Panel
3/8 Ply or 1/2 w/ Reliefs



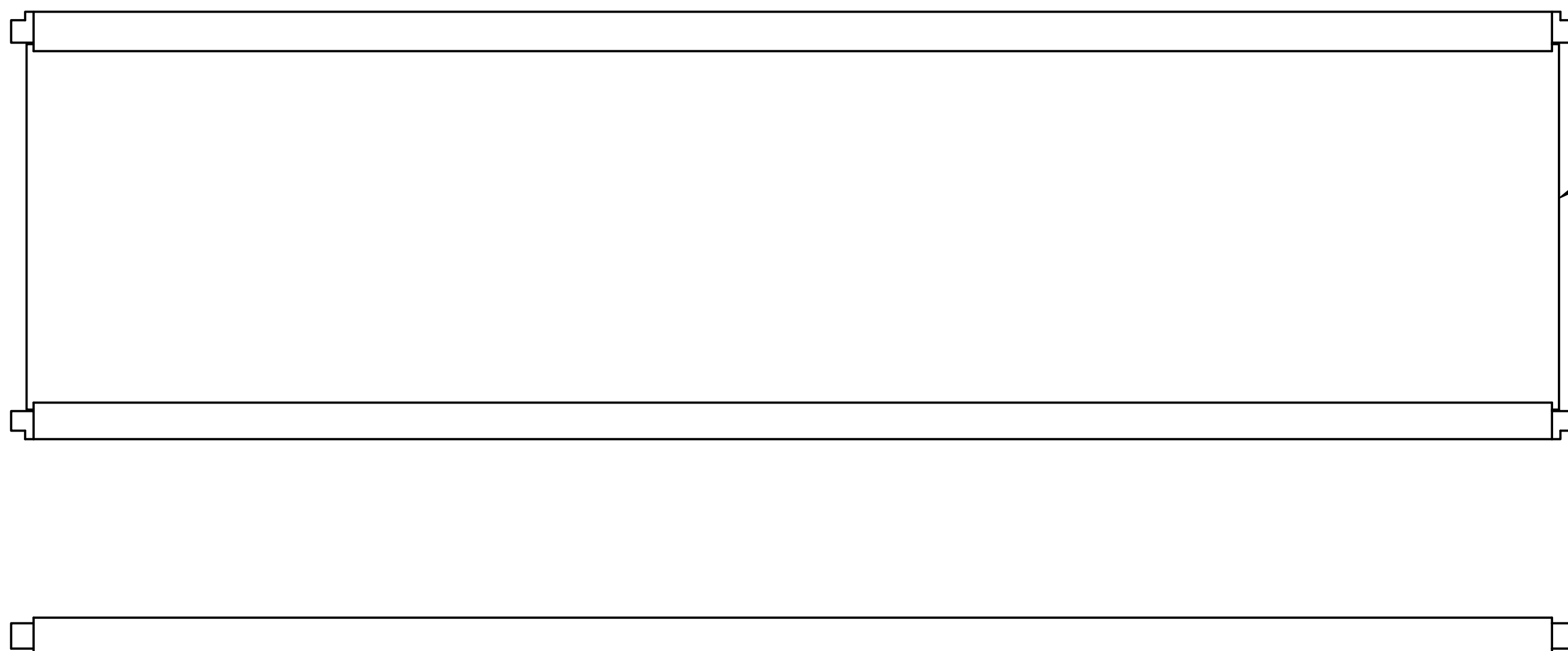
FRONT



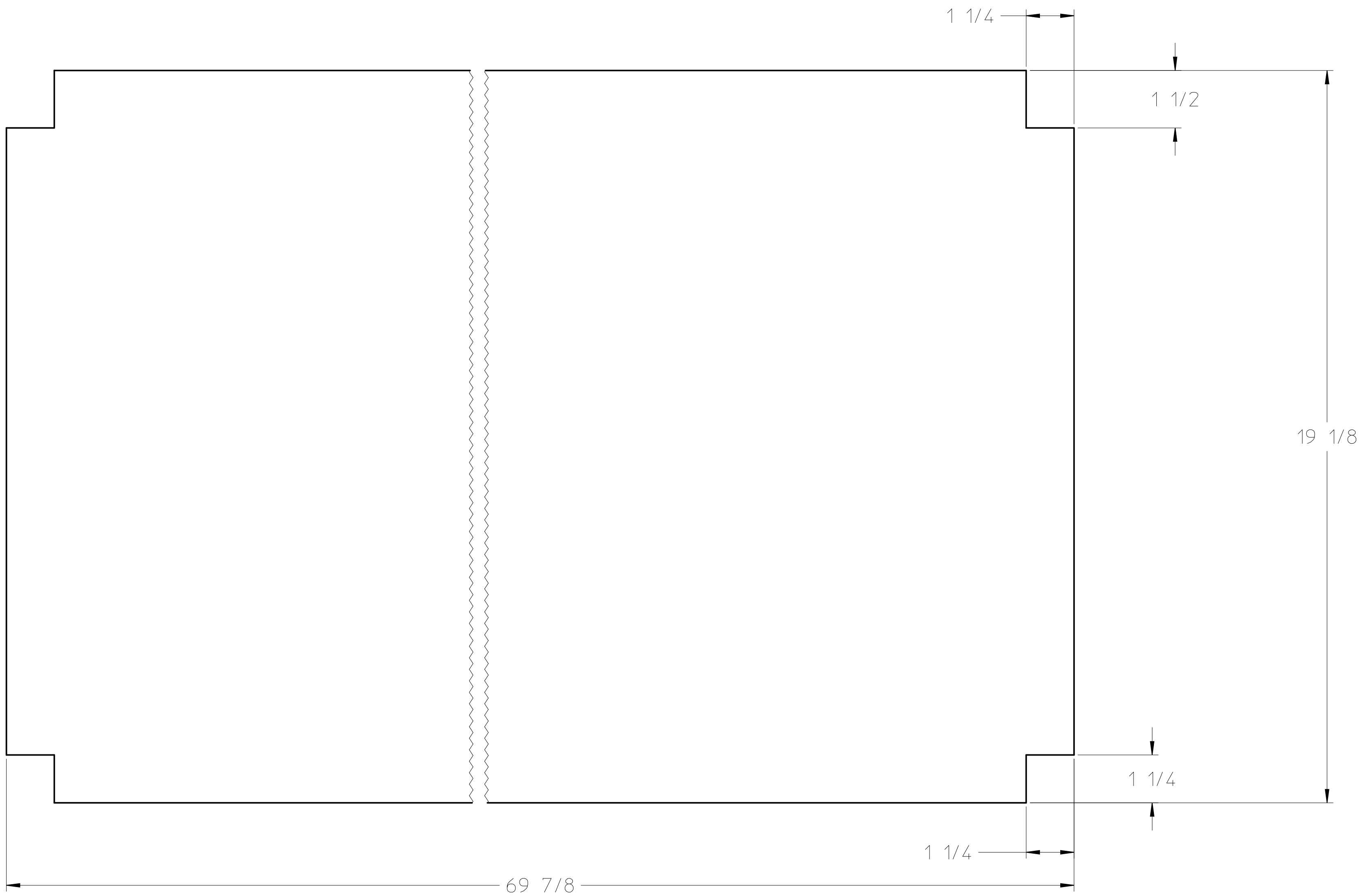
BACK



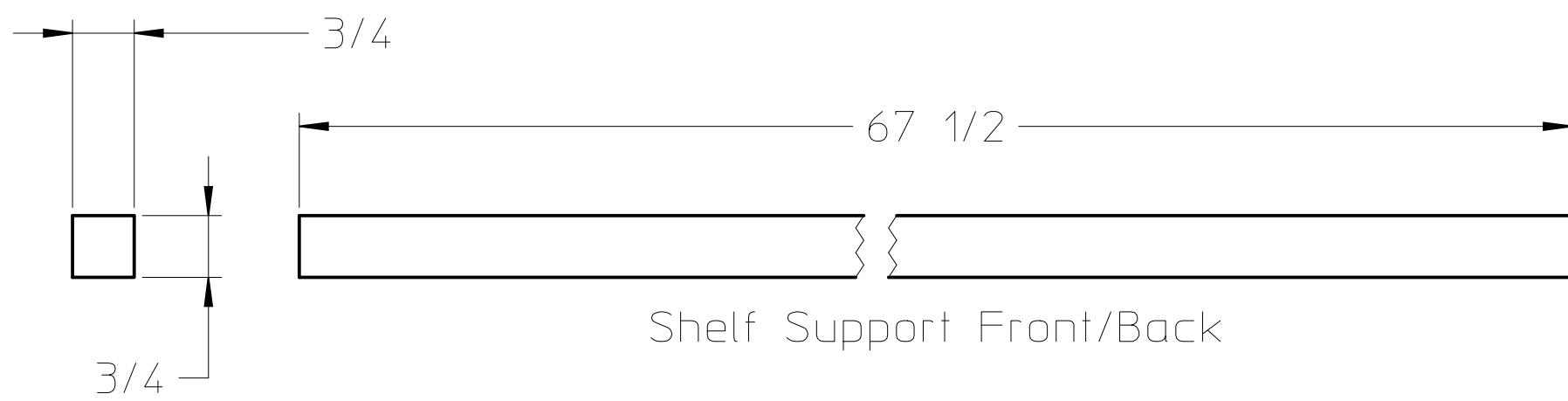
Back Panel
3/8 Ply or 1/2 w/ Reliefs



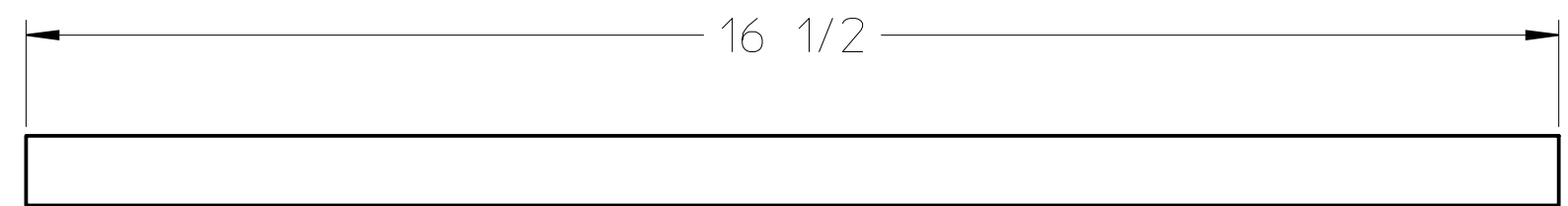
Back Panel



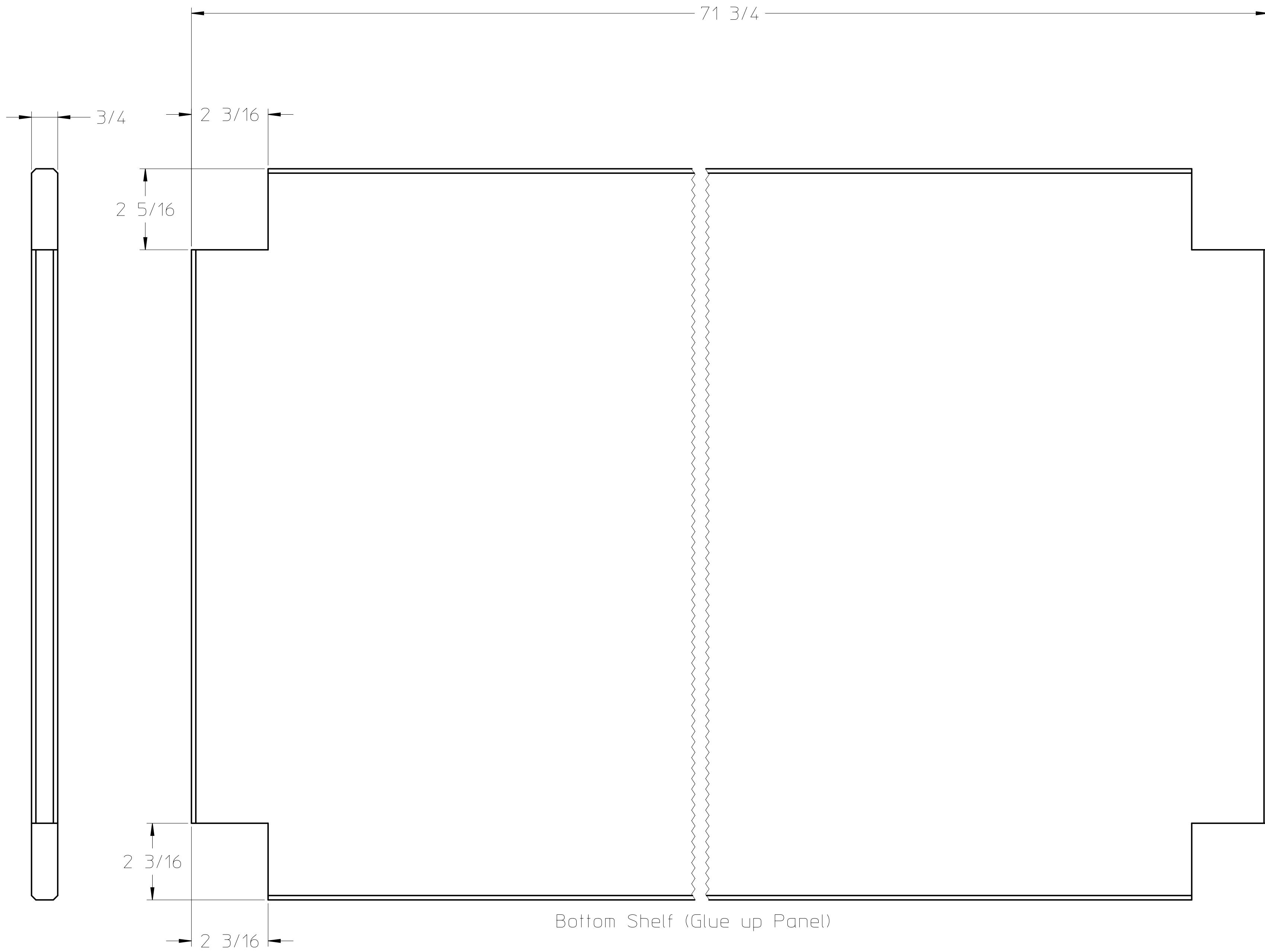
Mid-Shelf Panel
 $\frac{3}{8}$ Ply or $\frac{1}{2}$ Ply



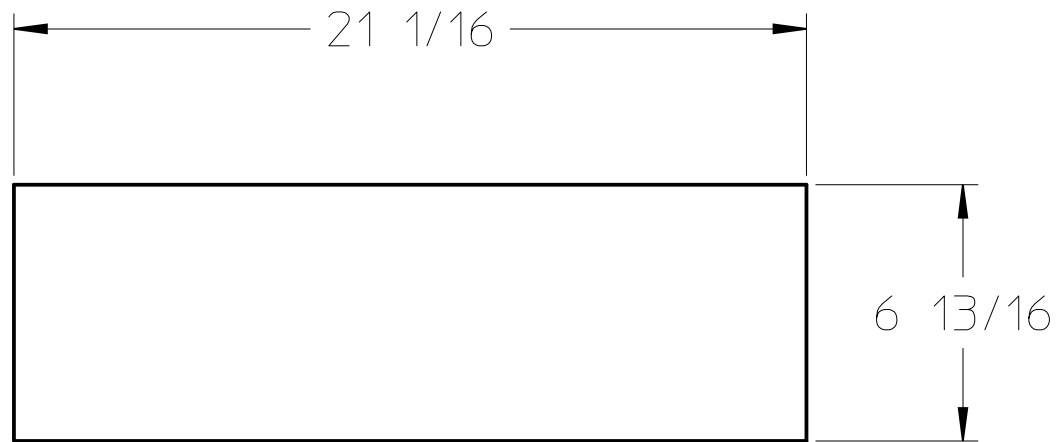
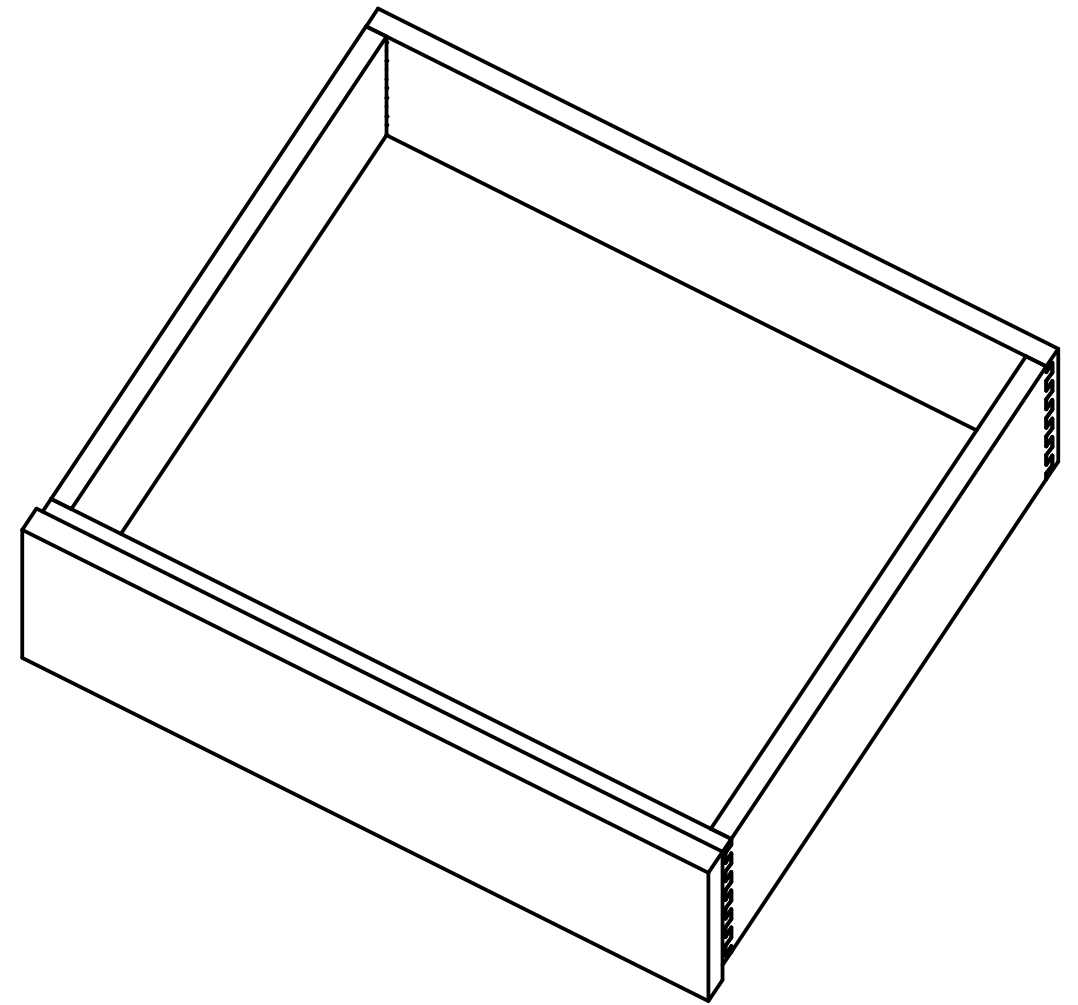
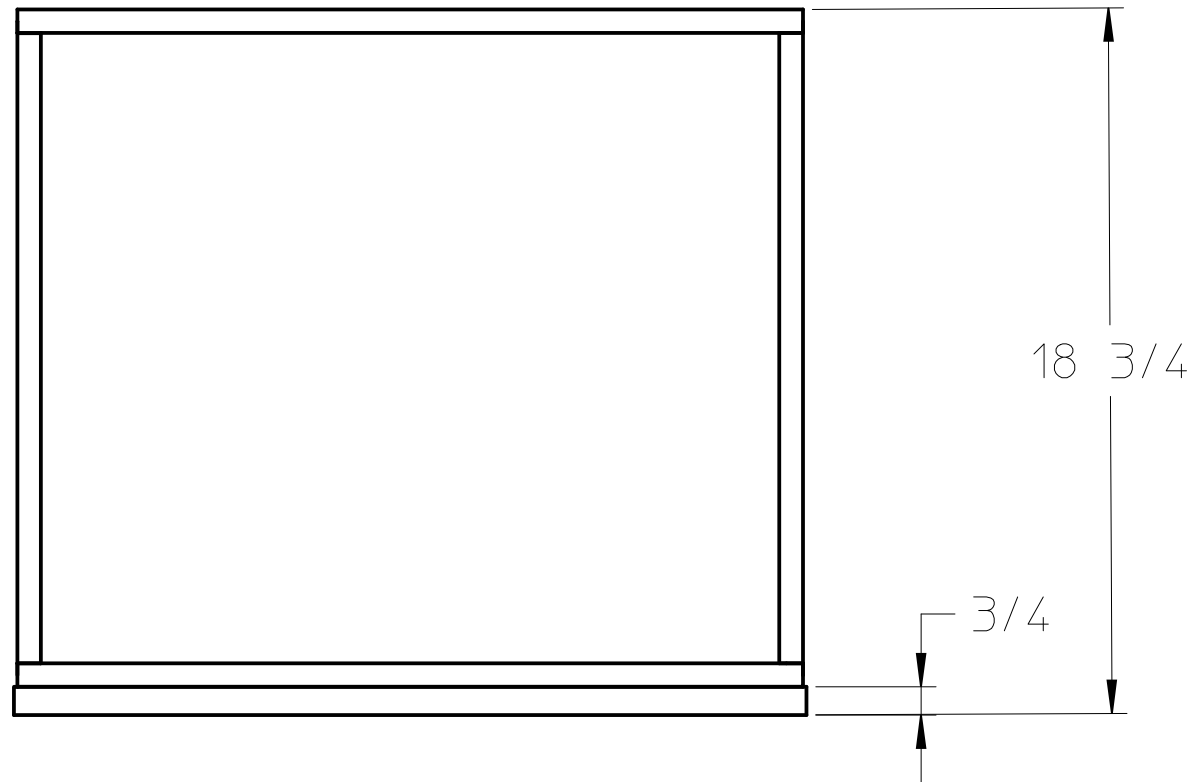
Shelf Support Front/Back

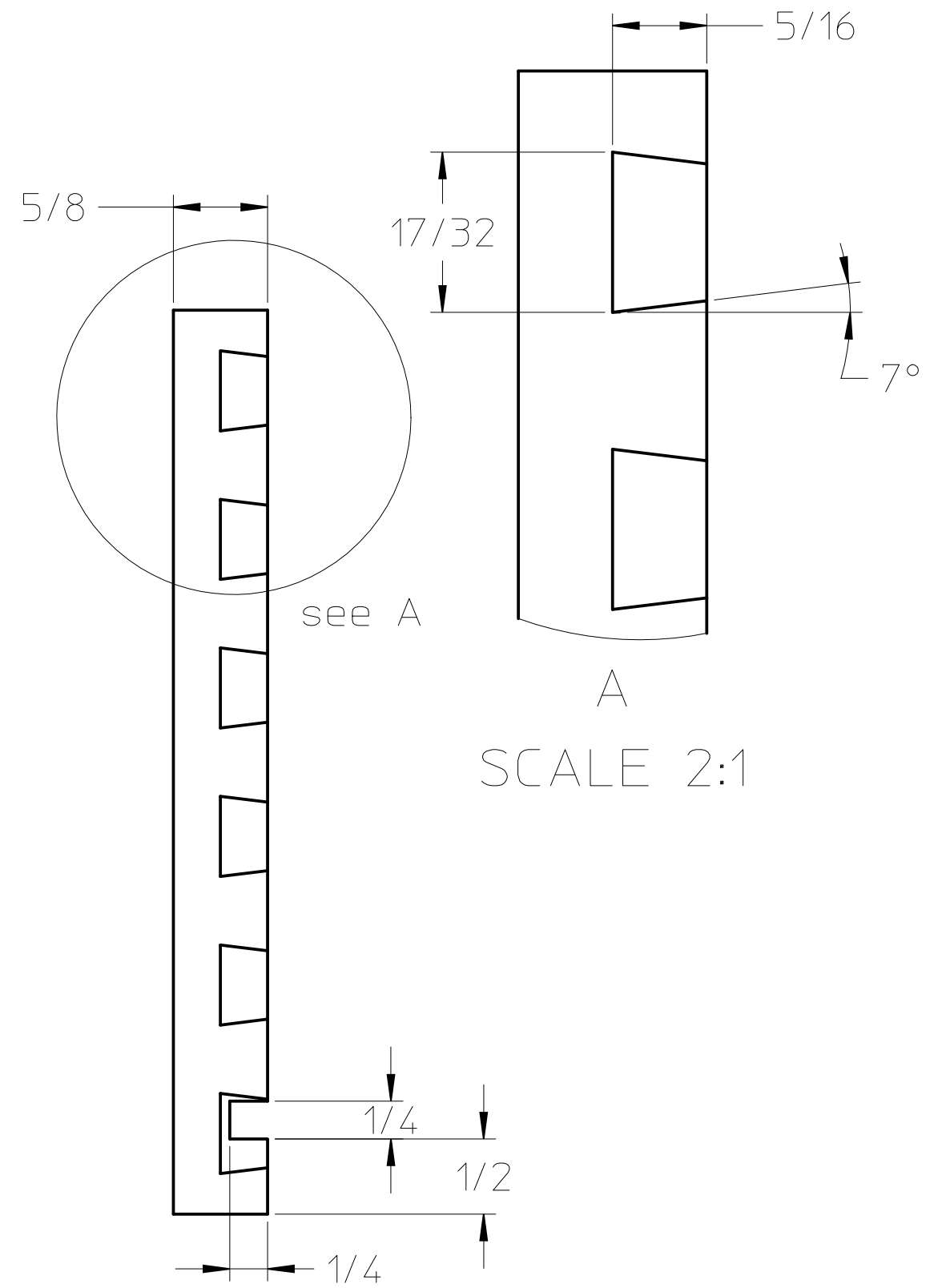
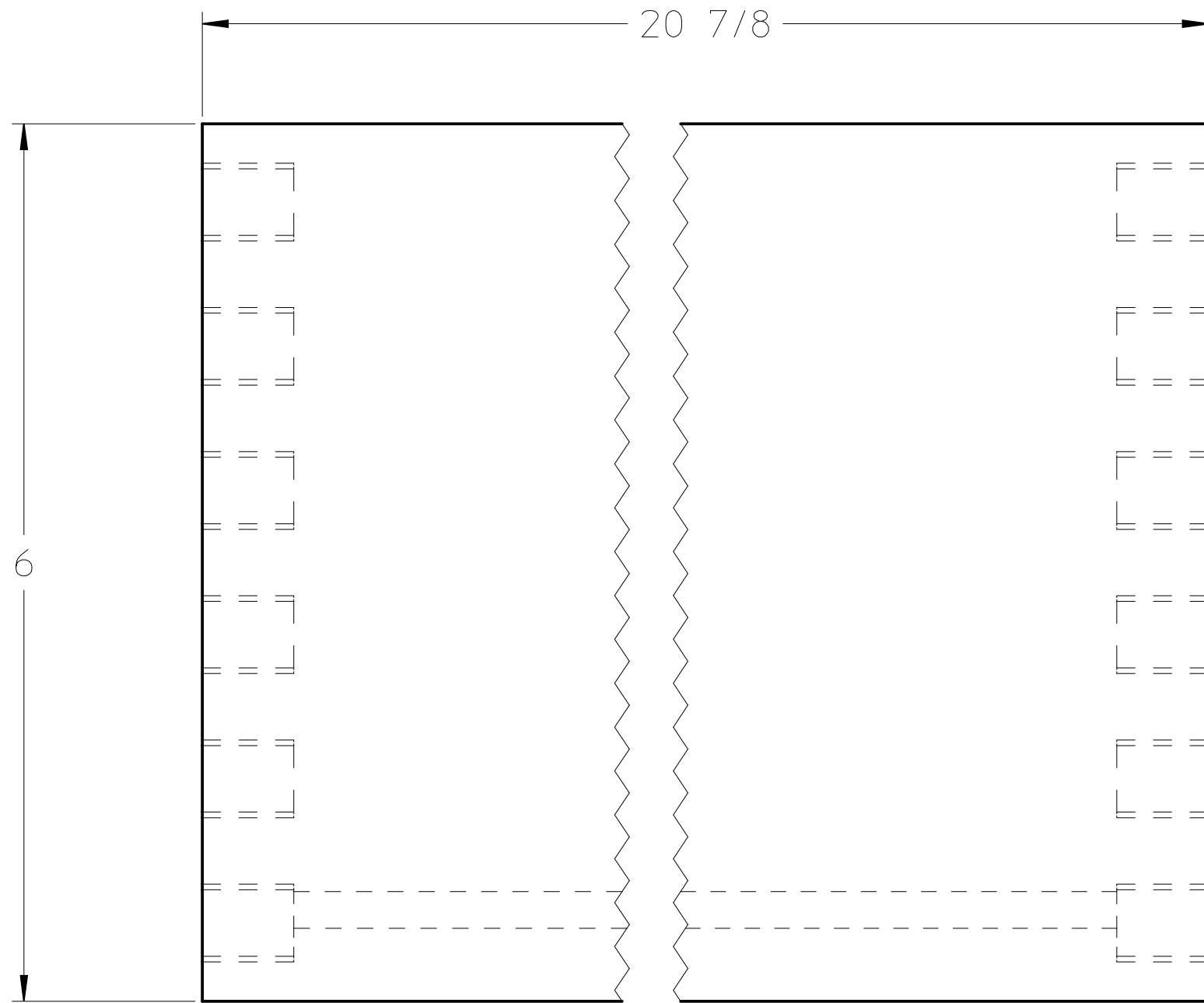


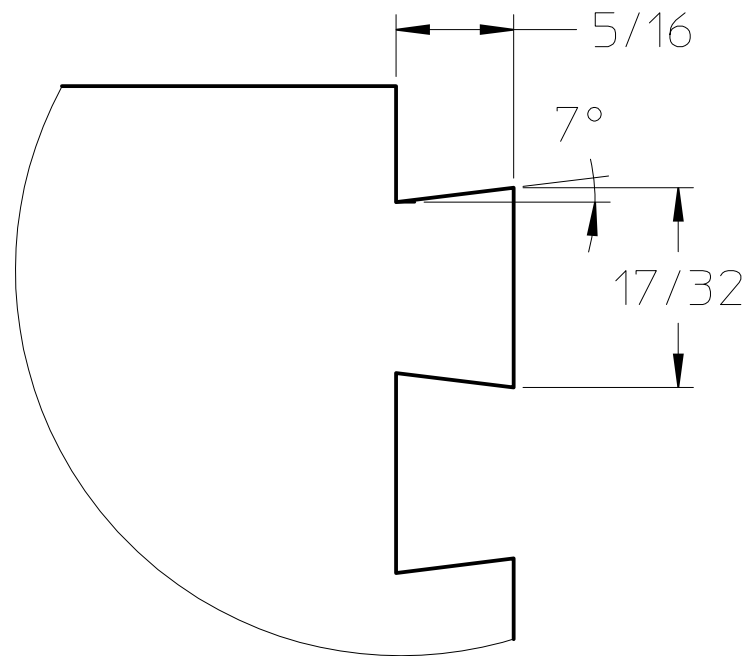
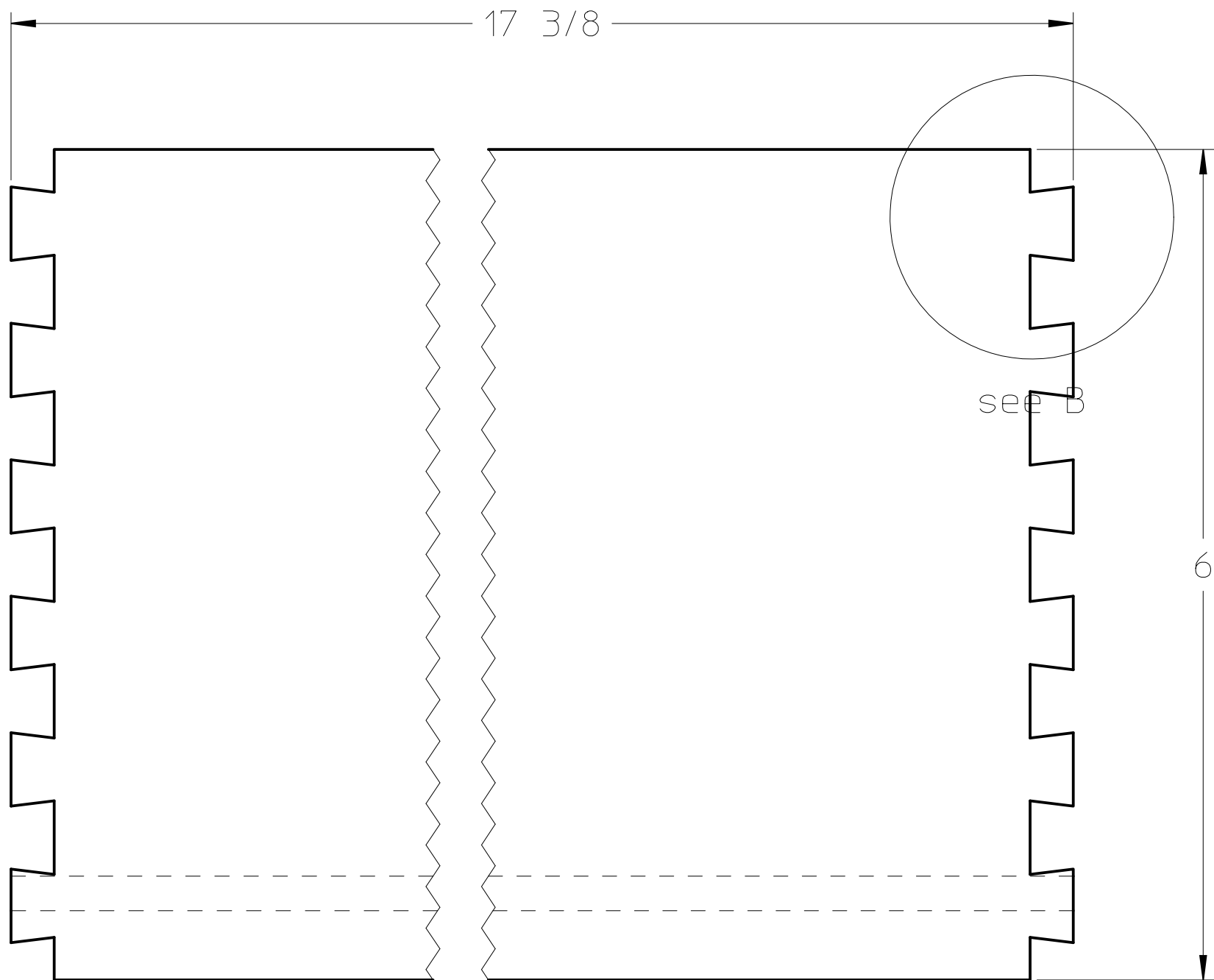
Self Support Sides



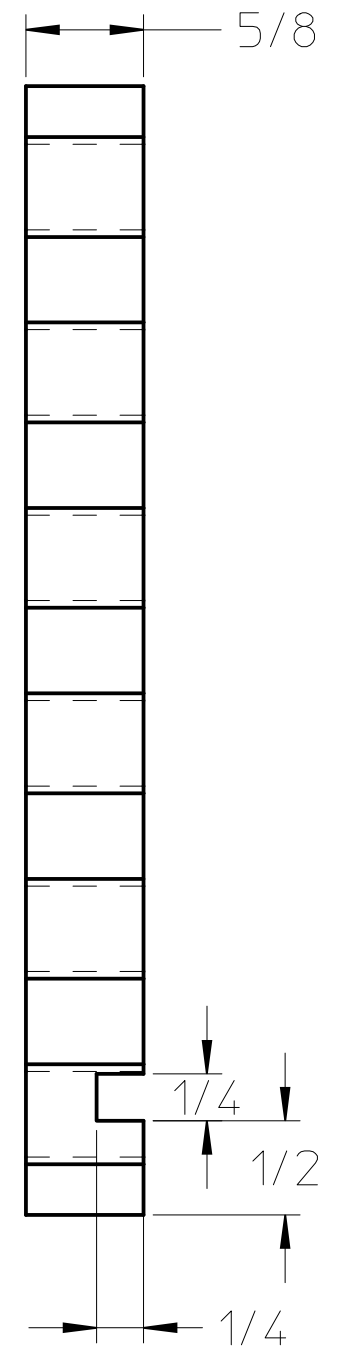
Bottom Shelf (Glue up Panel)







B
SCALE 2:1



17 1/8



20