

Balcony Bar



Perspective



Exploded View

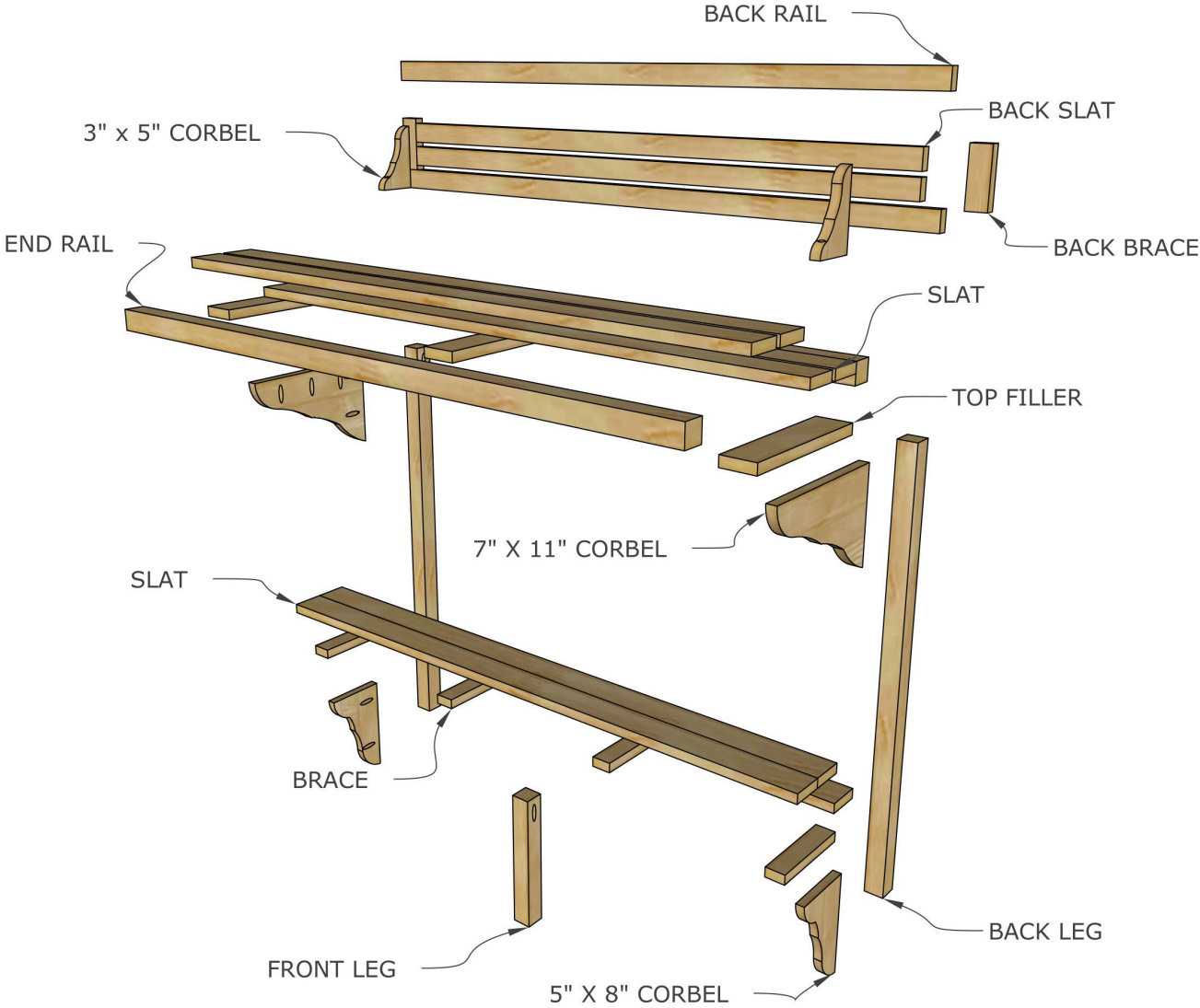
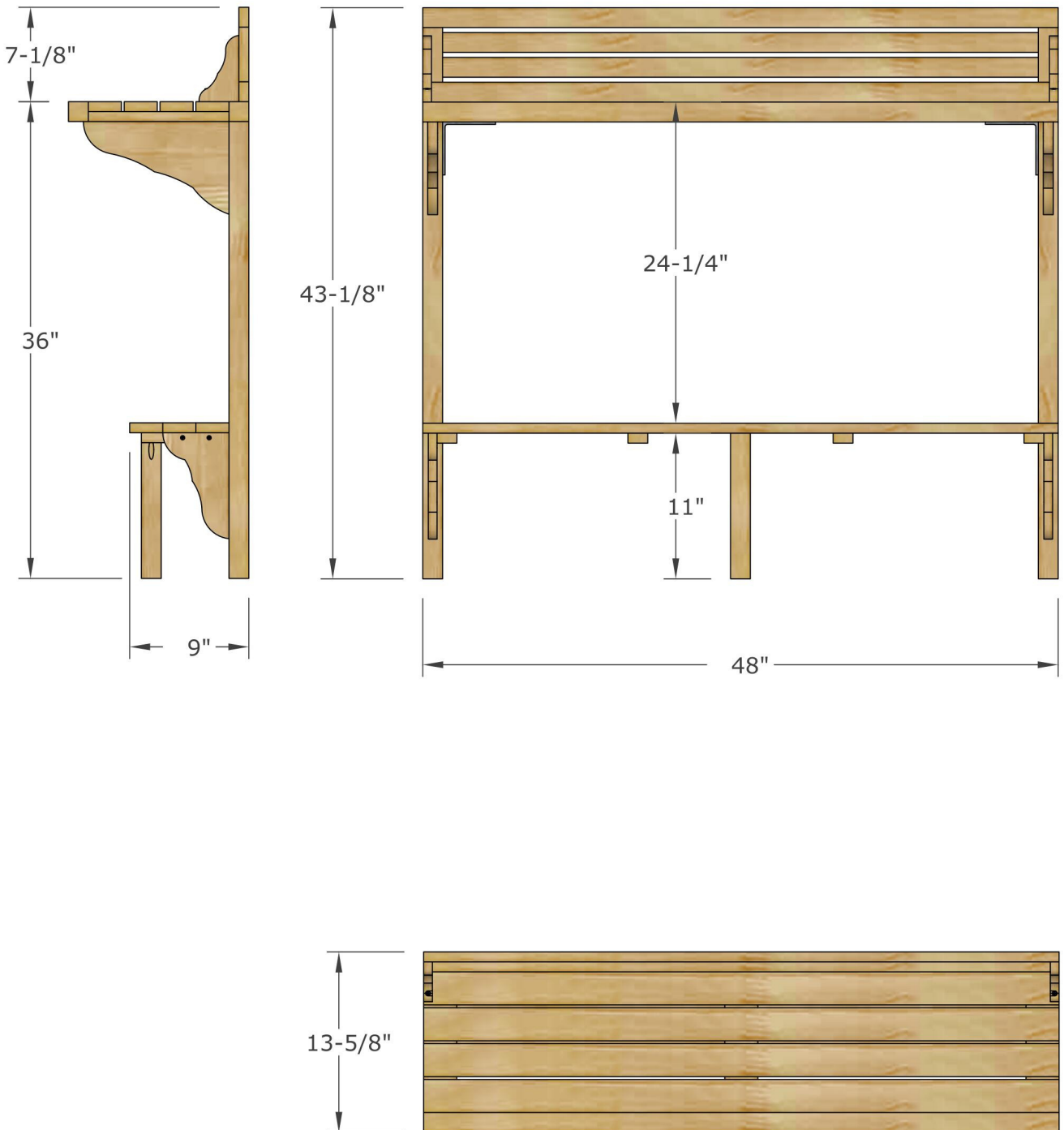


Table Overall Dimensions



Side Front & Top

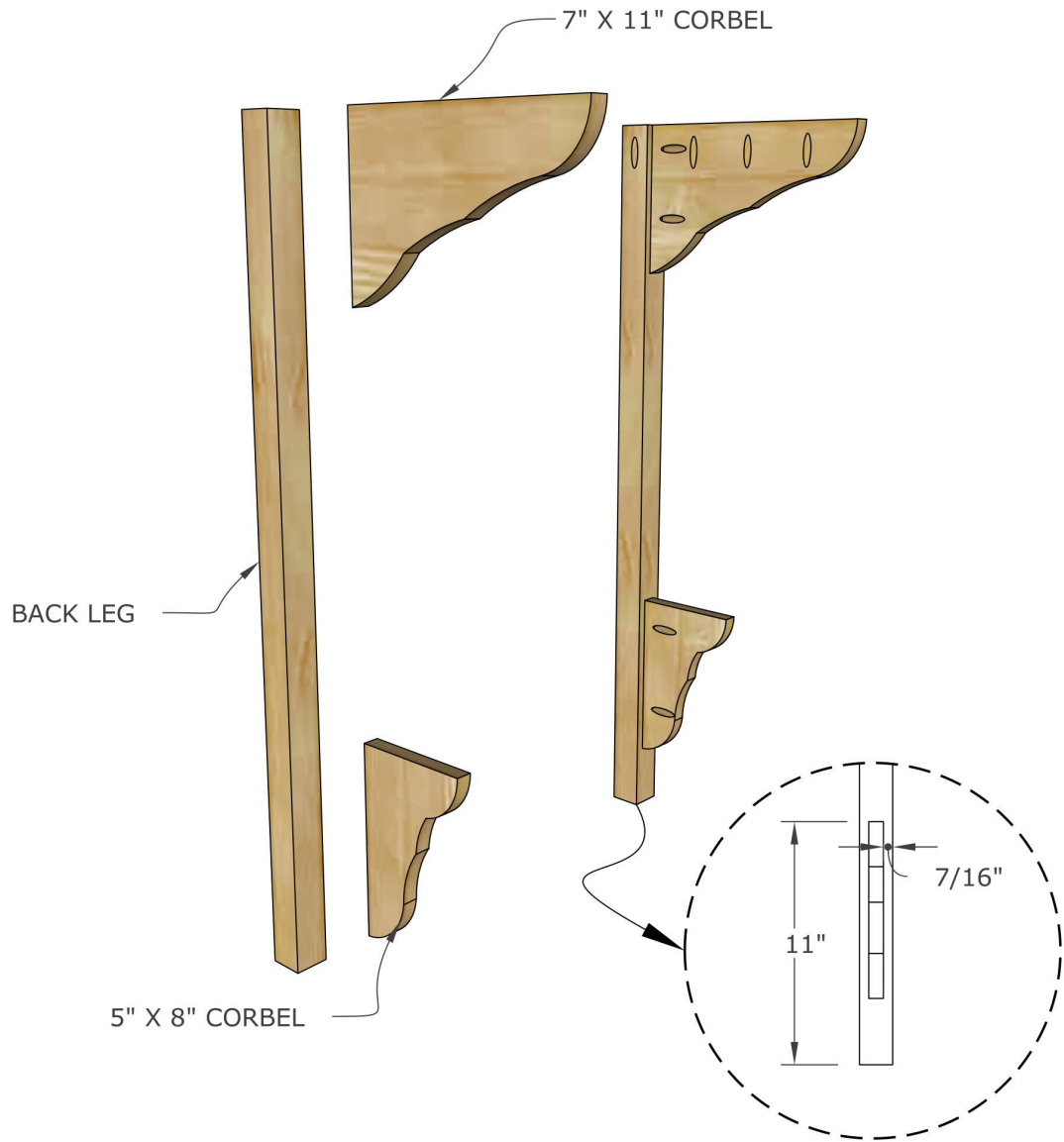
Scale: 1" = 1' (1:12)

Cut List & Materials

Part	Description	Quantity	Length	Width	Thickness	Material
A	BACK LEG	2	34 1/2"	1 1/2"	1 1/2"	2x2 Lumber
B	TOP FILLER	2	10 5/8"	2 1/2"	3/4"	1x3 Lumber
C	SLAT	7	48"	2 1/2"	3/4"	1x3 Lumber
D	END RAIL	2	48"	1 1/2"	1 1/2"	2x2 Lumber
E	BRACE	4	6 5/8"	1 1/2"	3/4"	1x2 Lumber
F	BACK BRACE	2	4 1/8"	1 1/2"	3/4"	1x2 Lumber
G	BACK SLAT	2	45"	1 1/2"	3/4"	1x2 Lumber
H	BACK RAIL	2	48"	1 1/2"	3/4"	1x2 Lumber
I	FRONT LEG	1	11"	1 1/2"	1 1/2"	2x2 Lumber

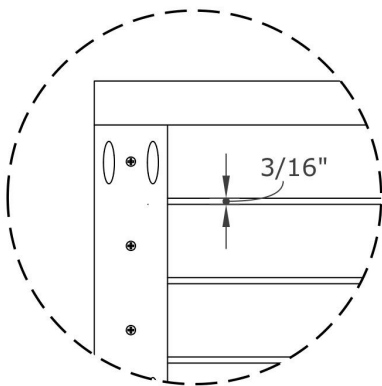
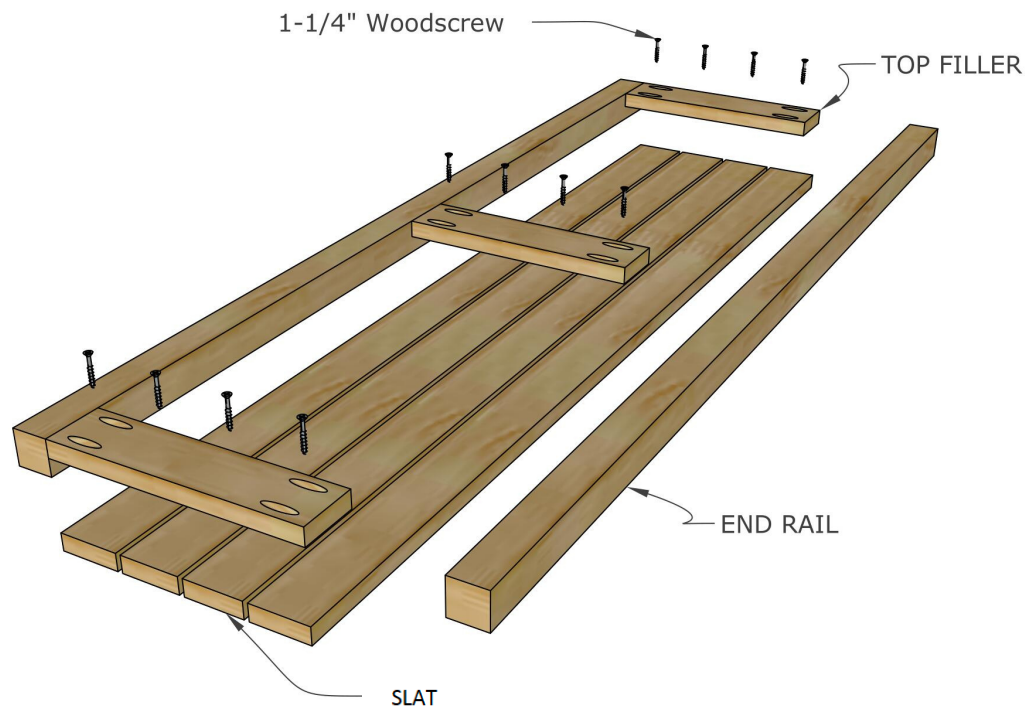
Description	Quantity
2" x 2" - 8' Wood Lumber	2
1" x 3" - 6' Wood Lumber	4
1" x 2" - 8" Wood Lumber	3
7 in. x 11 in. x 5/4 in. Wood Corbel	2
5 in. x 8 in. x 5/4 in. Wood Corbel	2
3 in. x 5 in. x 3/4 in. Wood Corbel	2
#8 x 1-1/4" Exterior Wood screws	54
#8 x 1" Exterior Wood screws	8
1-1/4" Pocket Hole screws (Std)	78
4" x 4" x 1.5" L BRACKET	2
U-bolt to secure to the deck	2

Step 1



Step 2a

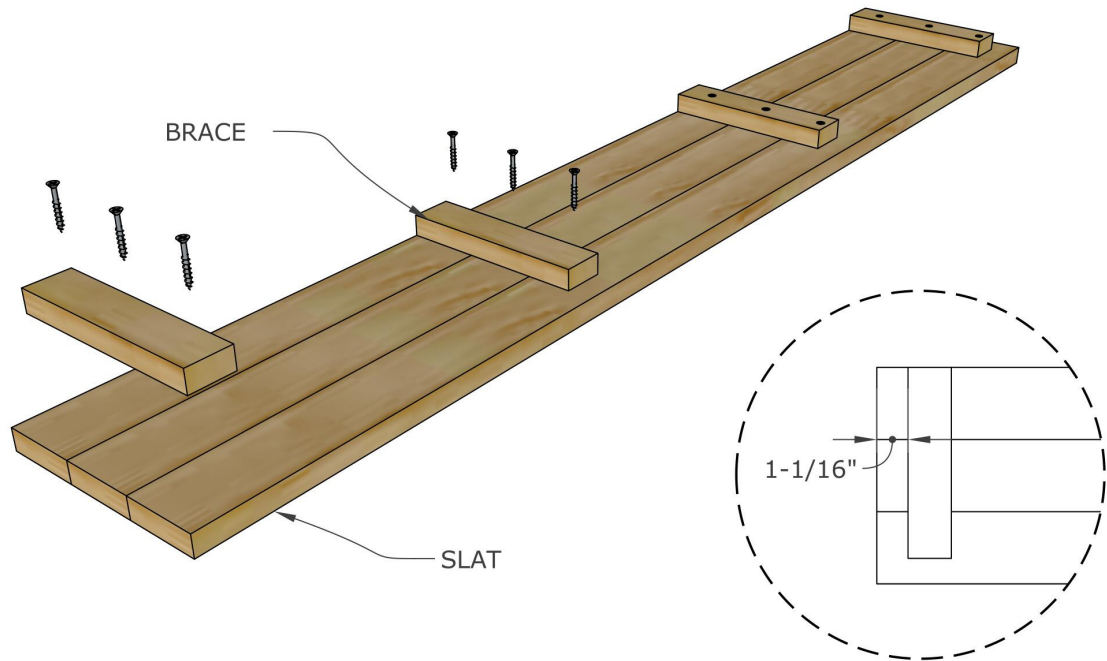
Bar Top Assembly



Note: pieces are shown upside down

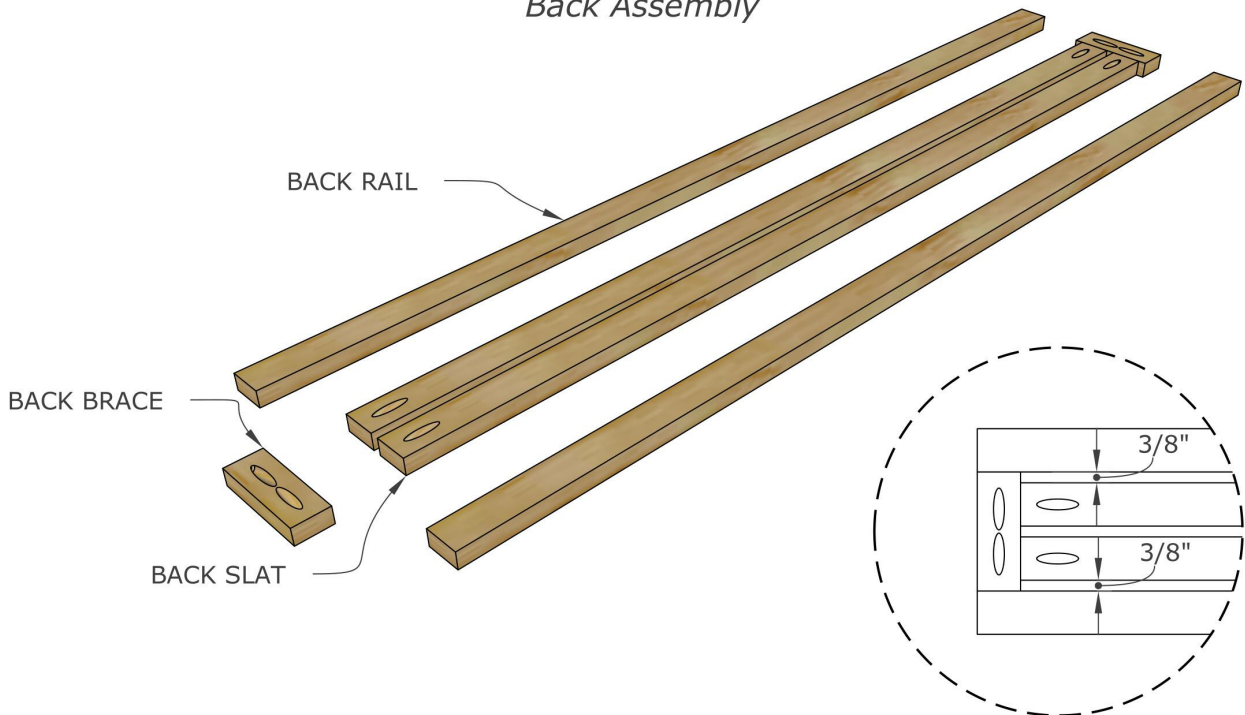
Step 2b

Foot Rest Assembly



Step 2c

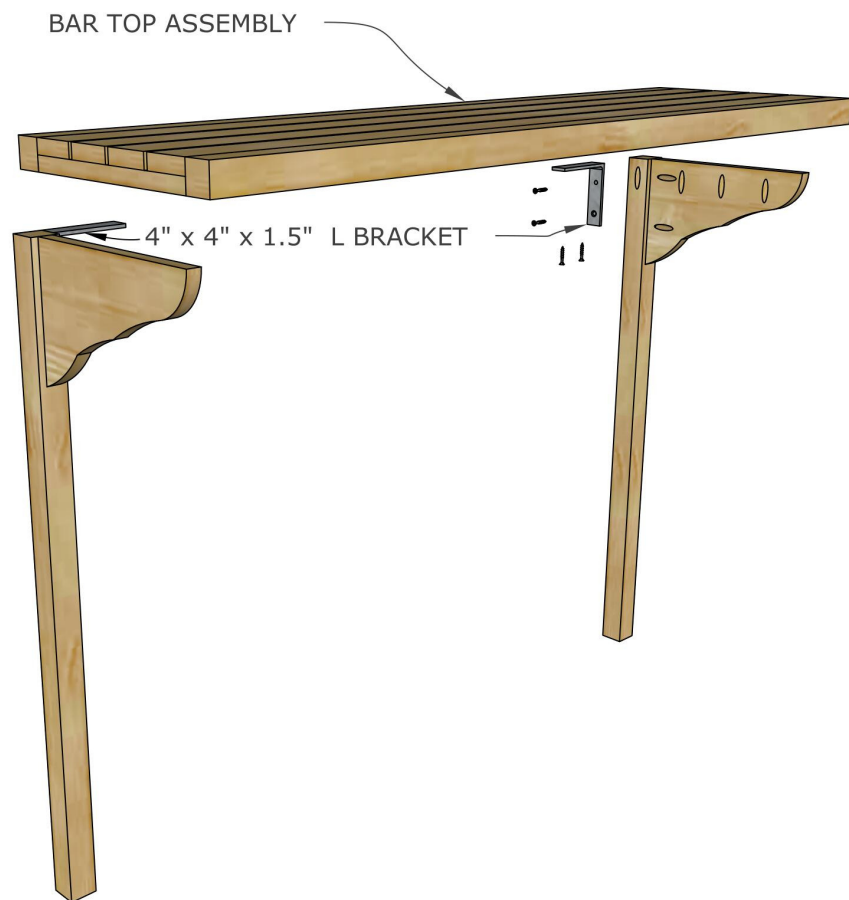
Back Assembly



Note: pieces are shown upside down

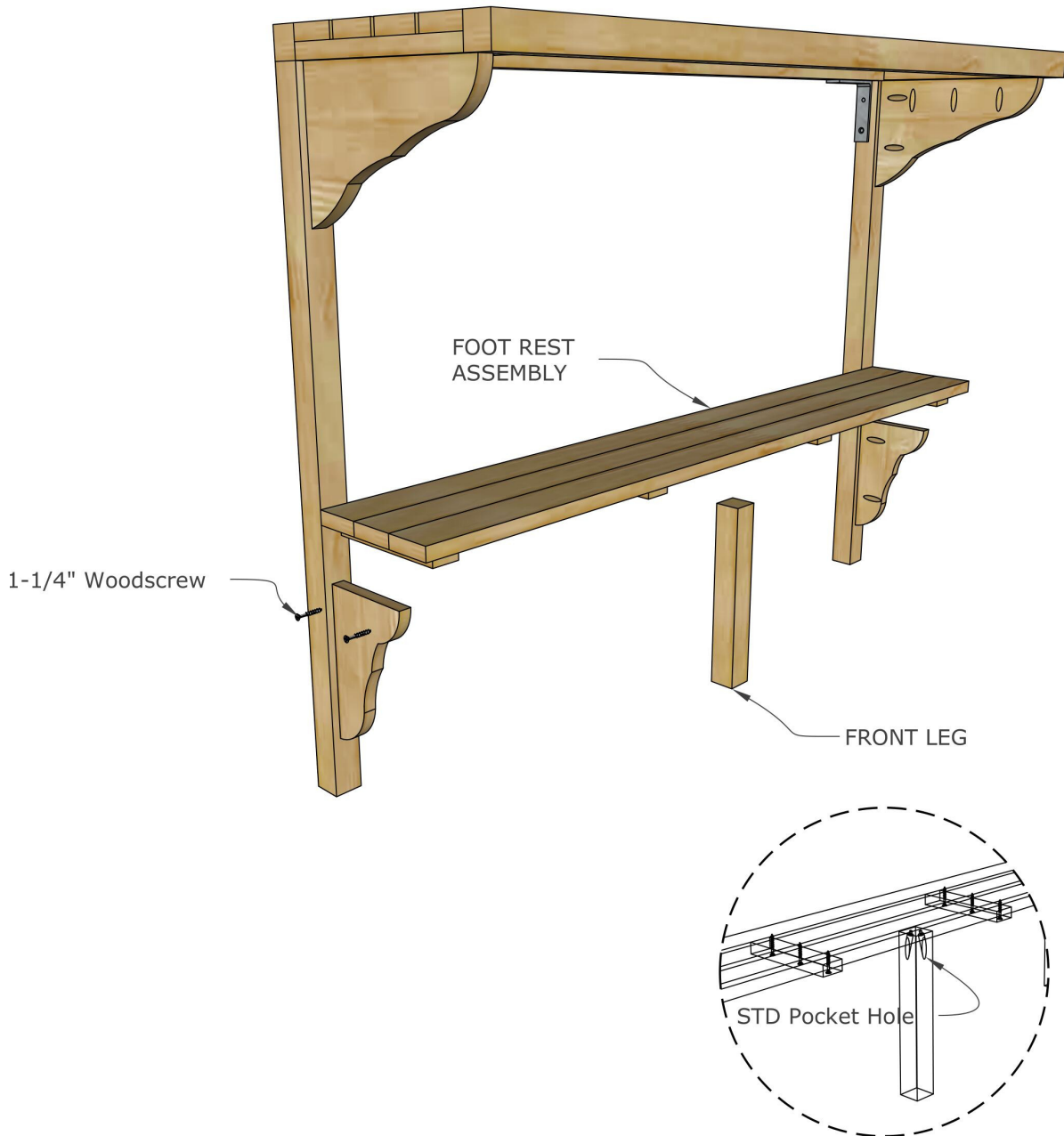
Step 3

Attaching the Bar



Step 4

*Attaching the
Foot Rest*



Step 5

Attaching the Back





ToolboxDivas