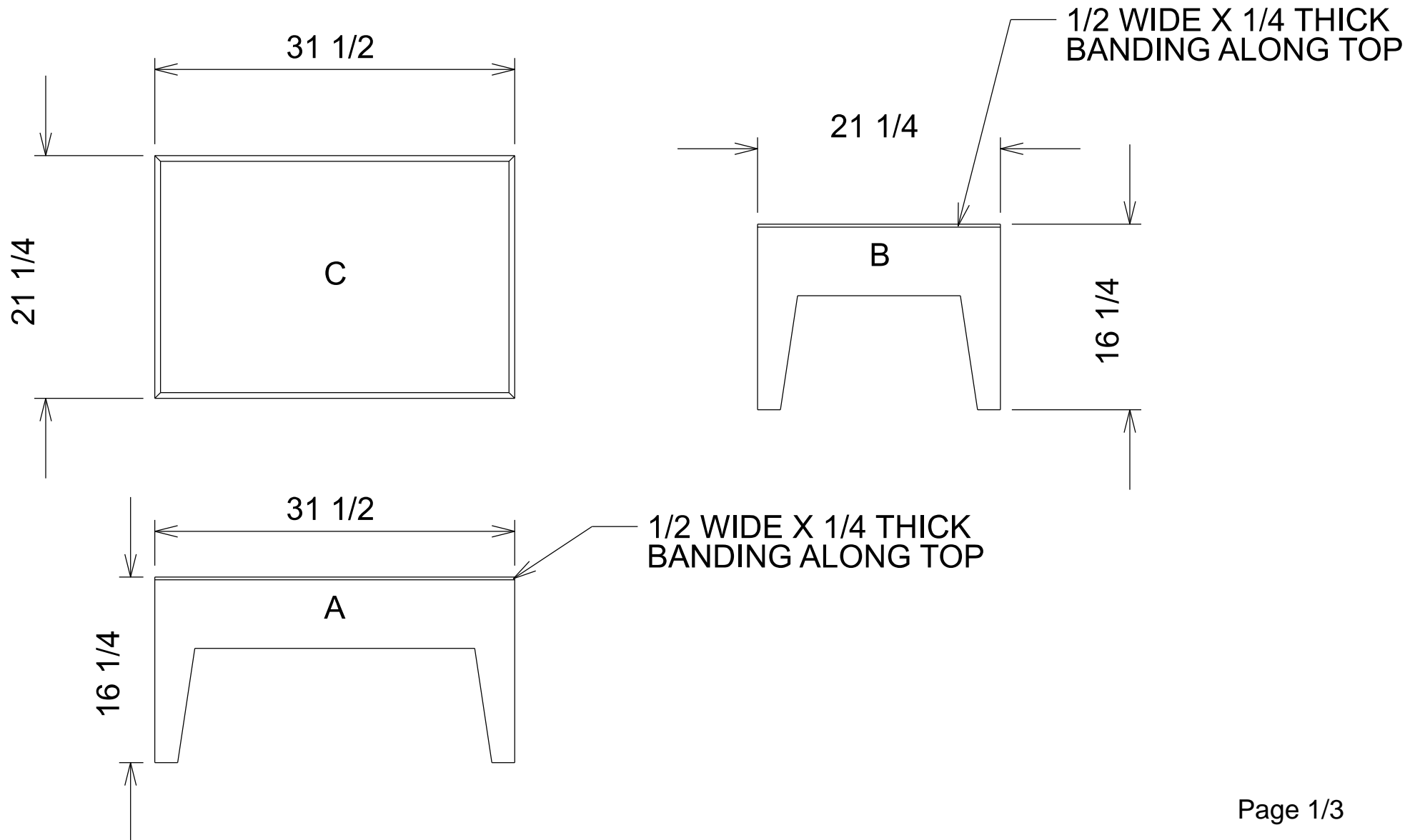
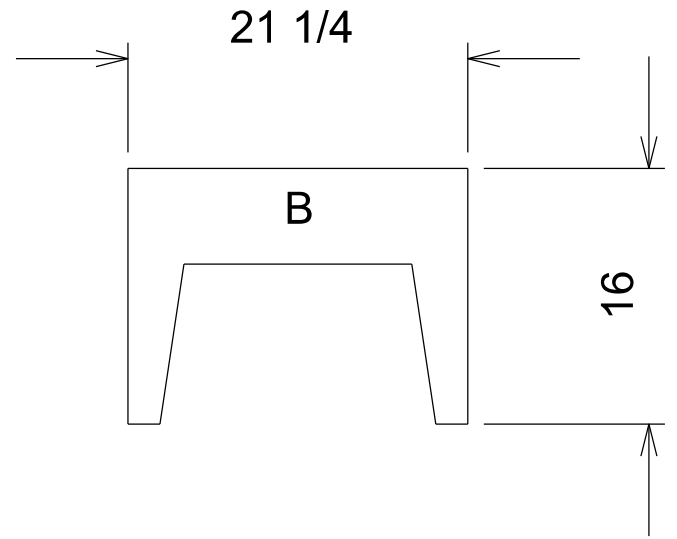
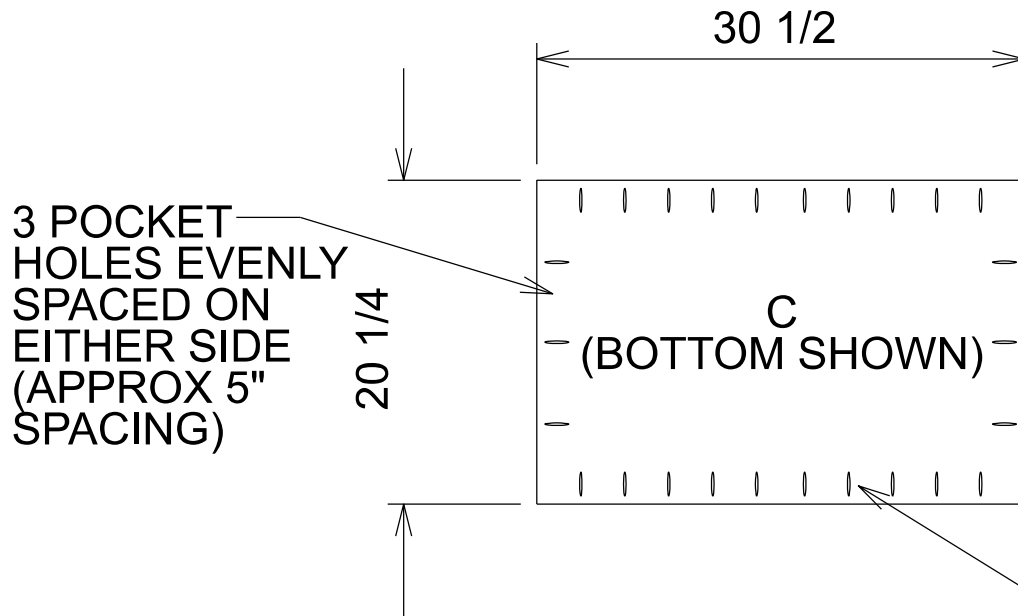
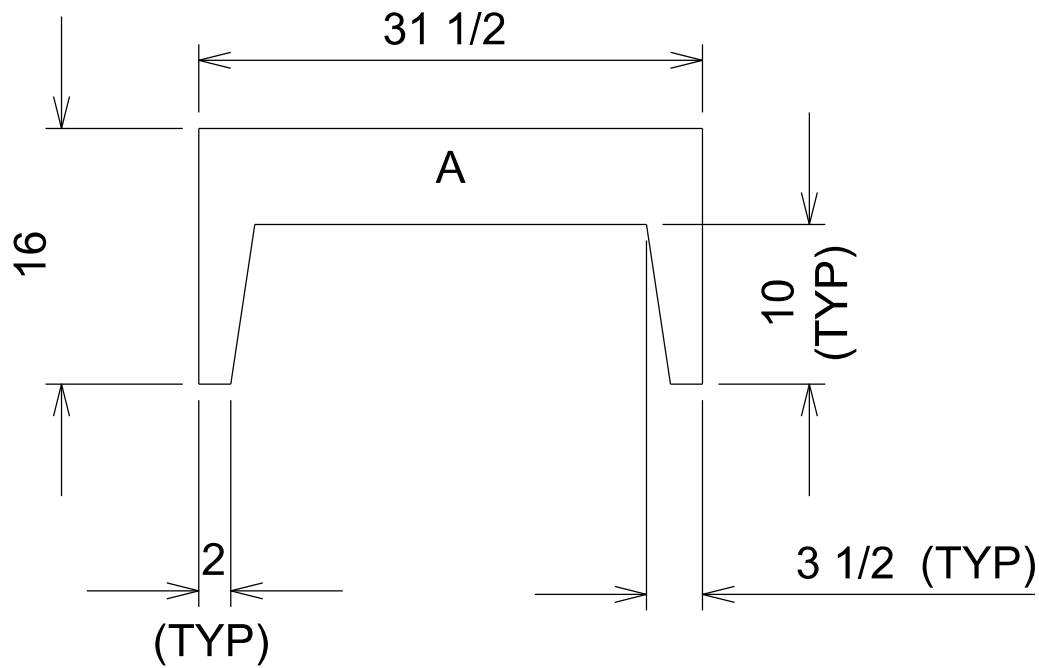


MODERN LEGO TABLE





10 POCKET HOLES EVENLY SPACED ON EITHER SIDE (APPROX 2 3/4" SPACING)



CUT LIST

PART	DESCRIPTION	SIZE
A	LONG SIDE	16" x 31 1/2"
B	SHORT SIDE	16" x 21 1/4"
C	TABLE TOP	20 1/4" x 30 1/2"



MATERIAL LIST

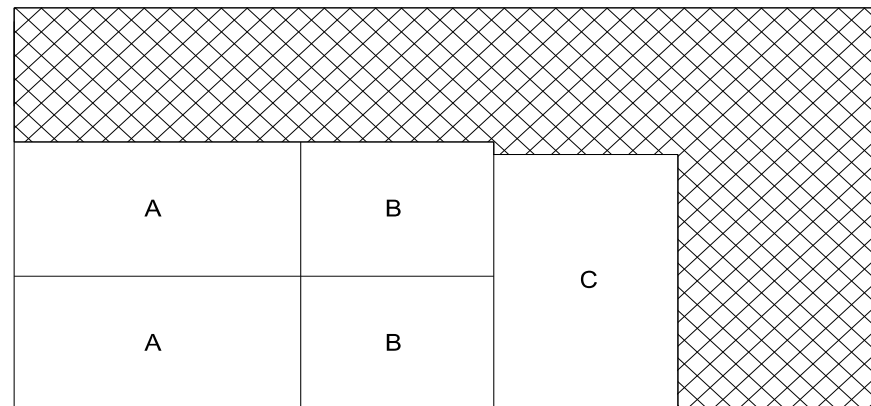
QUANTITY	DESCRIPTION
1	4' x 8' PLYWOOD - 1/2' THICK (GOOD BOTH FACE)
9'	1/2" WIDE x 1/4" THICK HARDWOOD (WE USED SOME SCRAP MAPLE)
6	10 x 10 LEGO BASE PLATES



SEE [HTTPS://LOVECREATECELEBRATE.COM/DIY-LEGO-TABLE/](https://lovecreatecelebrate.com/diy-lego-table/) FOR LINK FOR LEGO BASE PLATES

BUILDING SUPPLIES
Wood Glue
1" Kreg Screws
Varnish
Stain (optional)
Painters Tape

TOOLS
Mitre Saw
Table saw
Track Saw
Pull Saw
Kreg Work Stands
Kreg K5 Pocket Jig
Clamps
Pin Nailer
Router Table



☒ AREA NOT USED

