

TABLE OF CONTENTS	
SHT NO.	DESCRIPTION
1	COVER PAGE
2	ORTHO & ISO VIEWS
3	LEFT & RIGHT CABINET BASE ASSEM
4	LEFT & RIGHT CABINET PARTS
5	CABINET BASE ASSEM
6	DESK TOP & SPACERS
7	DRAWER & DOOR REVEAL
8	DRAWER & DOOR PARTS
9	3/4" PLYWOOD LAYOUT
10	1/2" PLYWOOD LAYOUT
11	1/4" PLYWOOD LAYOUT

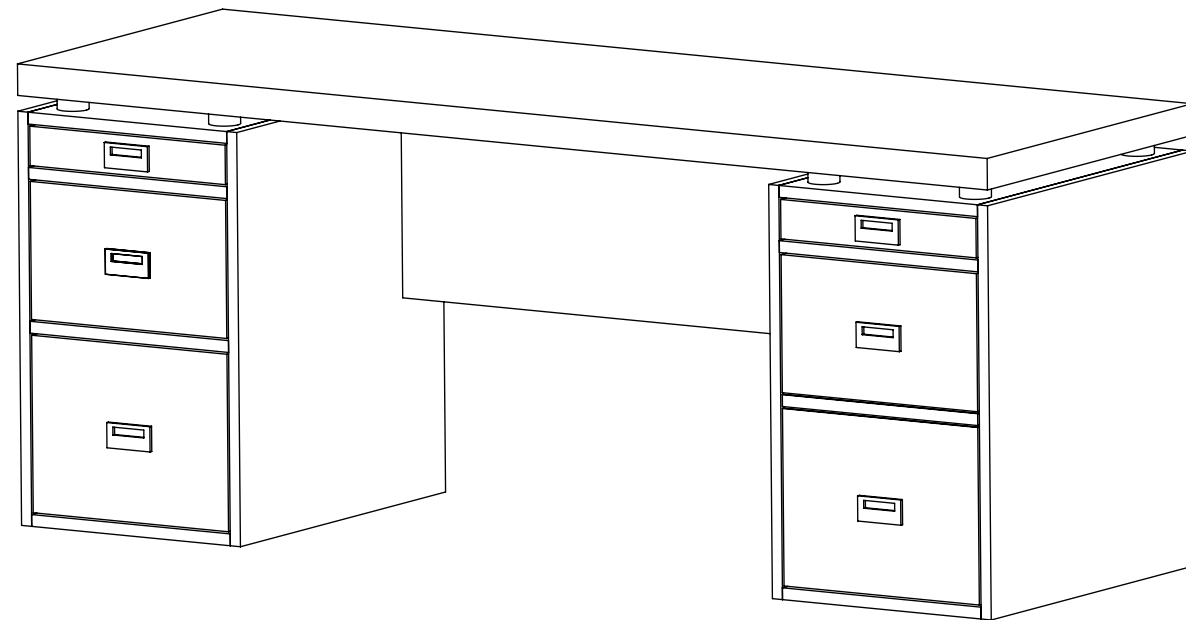


www.woodshopmike.com
mike@woodshopmike.com

www.woodshopmike.com
mike@woodshopmike.com

MODERN INDUSTRIAL DESK

WATCH THE BUILD VIDEO



MATERIALS	
ITEM	QTY
HARDWOOD 4/4 STOCK	~15 B.F.
3/4" PLYWOOD, 4' X 8'	2 SHEET
1/2" PLYWOOD, 4' X 8'	1 SHEET
1/4" LUAN, 4' X 8'	1 SHEET
STEEL PIPE, 2" OD X 2-1/8" LONG	8
DRAWER GLIDES, 22"	3 SETS
INSET EURO HINGE & MOUNTING PLATE	2 PAIRS
GLUE	1 qt
1-1/4" POCKET HOLES SCREWS	<100
1" PAN HEAD POCKET HOLE SCREWS	28
#10 X 3-1/2" SCREWS	8
#6 X 1/2" SCREWS	16
DRAWER HANDLES	6
ANTI-SLIP PADS	8
GENERAL FINISHES MILK PAINT	2 qt
GENERAL FINISHES HIGH PERFORMANCE TOP COAT: FLAT	1 qt

PROJECT NAME: MODERN INDUSTRIAL DESK
DRAWING NAME: COVER SHEET

REV	DATE	BY	DESCRIPTION
A	5-31-2020	MP	INITIAL RELEASE

Woodshop Mike, LLC and it's affiliates are not responsible for any damages that may come to persons or properties involved during the creation or use of this project or plans. The use of these plans and construction of this projects is acknowledgement that you as the fabricator assume all liability for proper construction and safe use of the project through all stages.

DWN BY:
MP

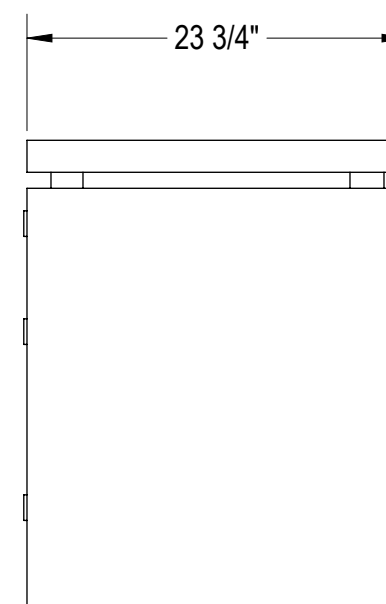
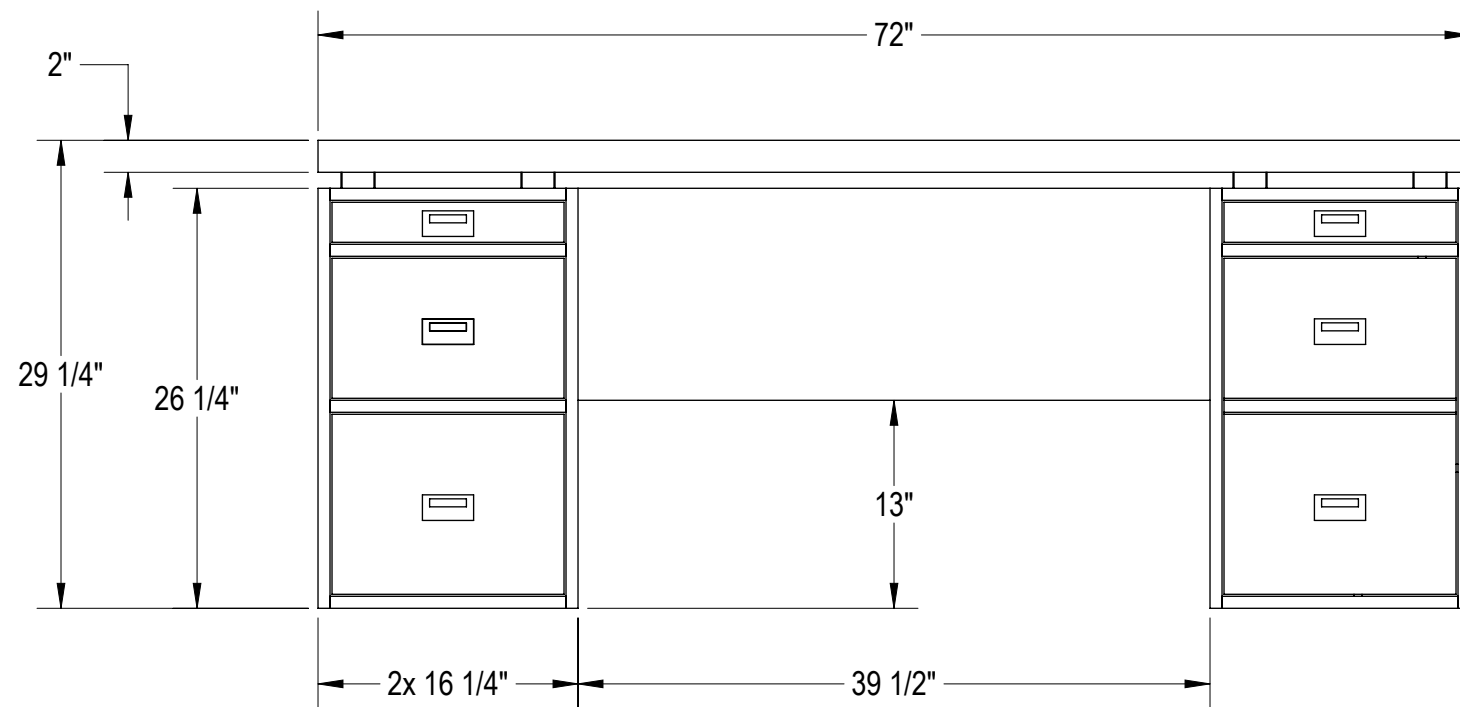
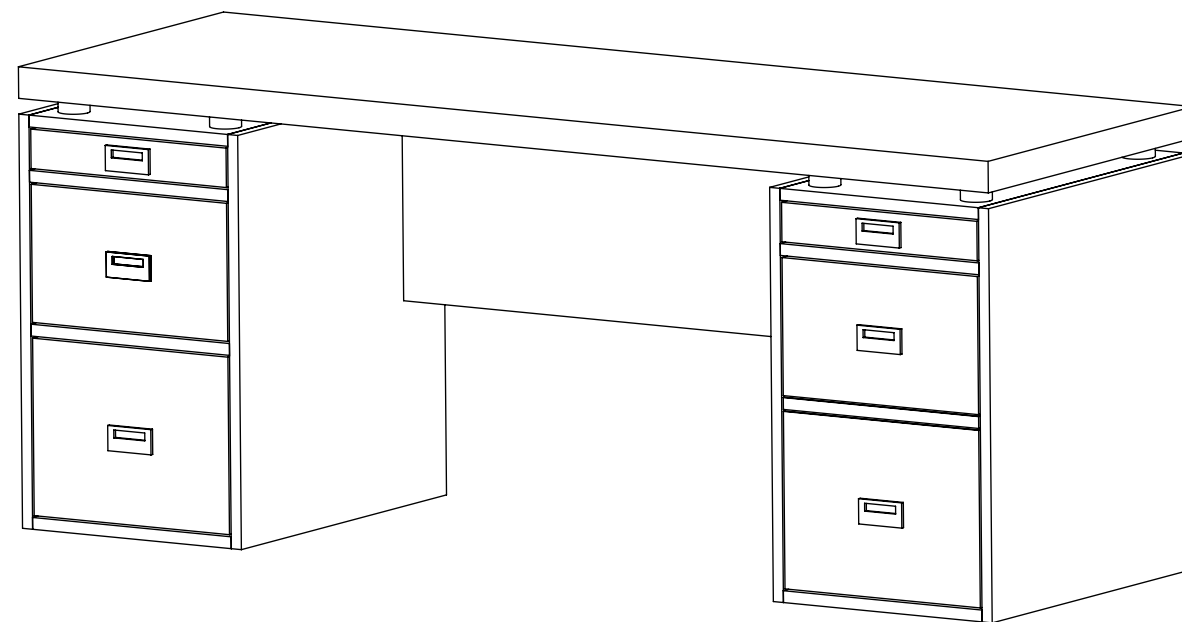
SCALE:

SHT. NO:

1



www.woodshopmike.com
mike@woodshopmike.com



PROJECT NAME: MODERN INDUSTRIAL DESK

DRAWING NAME: ORTHO & ISO VIEWS

REV	DATE	BY	DESCRIPTION
A	5-31-2020	MP	INITIAL RELEASE

Woodshop Mike, LLC and its affiliates are not responsible for any damages that may come to persons or properties involved during the creation or use of this project or plans. The use of these plans and construction of this projects is acknowledgement that you as the fabricator assume all liability for proper construction and safe use of the project through all stages.

DWN BY:
MP

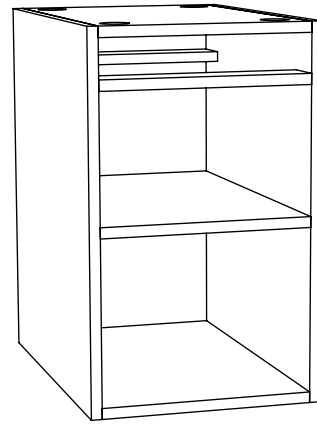
SCALE:

SHT. NO:

2

LEFT SIDE CABINET

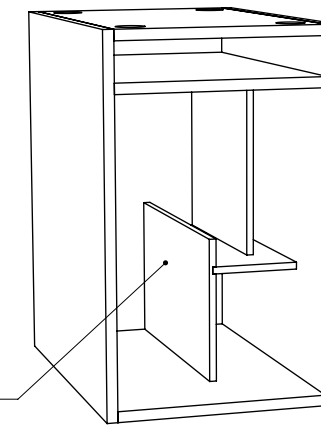
CONSTRUCT CABINET WITH 1-1/4" POCKET HOLE SCREWS. ORIENT COMPONENTS AS TO HIDE SCREWS WHEN PIECE IS COMPLETE.



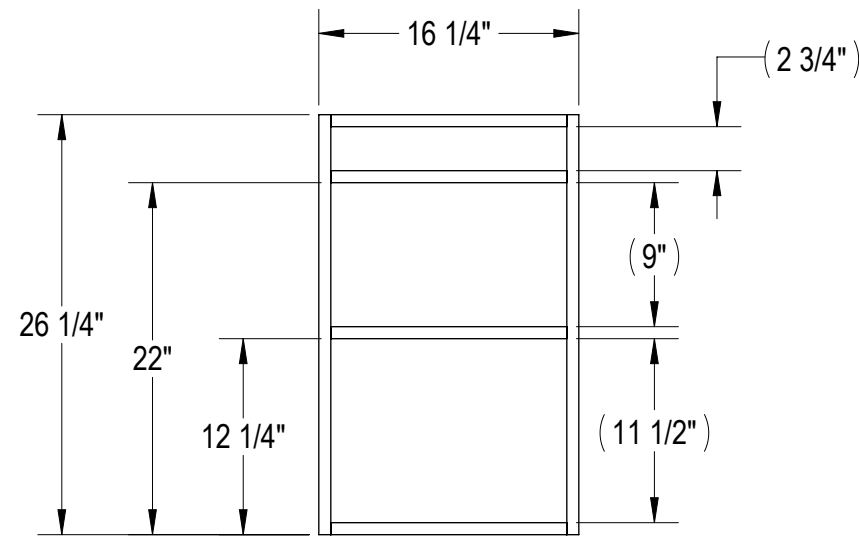
RIGHT SIDE CABINET

CONSTRUCT CABINET WITH 1-1/4" POCKET HOLE SCREWS. ORIENT COMPONENTS AS TO HIDE SCREWS WHEN PIECE IS COMPLETE.

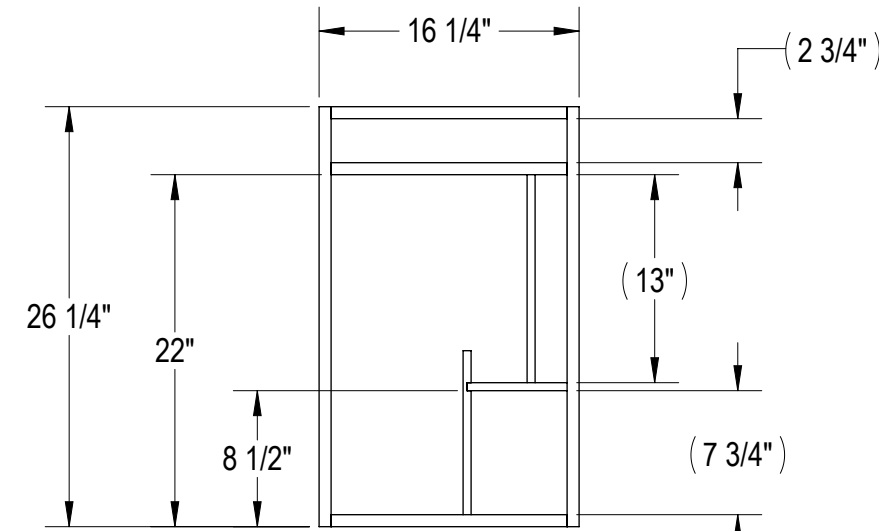
USE 1" POCKET HOLE SCREWS FOR INTERNAL DIVIDERS MADE FROM 1/2" PLY.



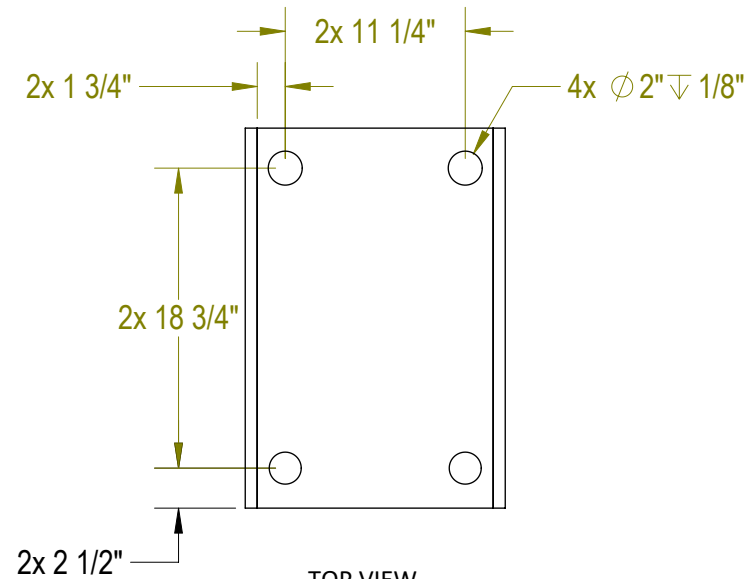
ALL INTERNAL DIVIDERS FLUSH WITH BACK



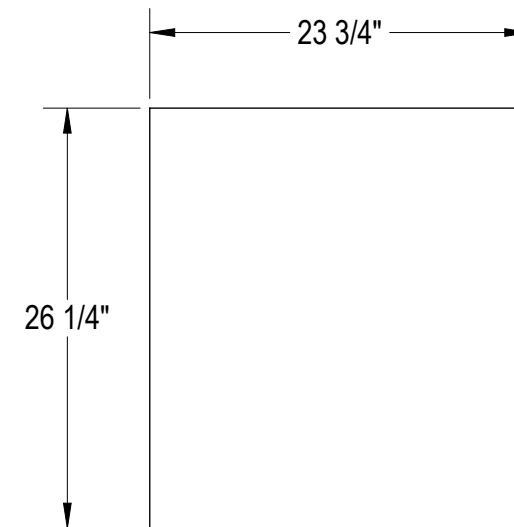
FRONT VIEW



FRONT VIEW



TOP VIEW
(BOTH CABINETS)



SIDE VIEW
(BOTH CABINETS)



www.woodshopmike.com
mike@woodshopmike.com

PROJECT NAME: MODERN INDUSTRIAL DESK
DRAWING NAME: LEFT & RIGHT CABINET BASE ASSEM

REV	DATE	BY	DESCRIPTION
A	5-31-2020	MP	INITIAL RELEASE

Woodshop Mike, LLC and its affiliates are not responsible for any damages that may come to persons or properties involved during the creation or use of this project or plans. The use of these plans and construction of this projects is acknowledgement that you as the fabricator assume all liability for proper construction and safe use of the project through all stages.

DWN BY:
MP

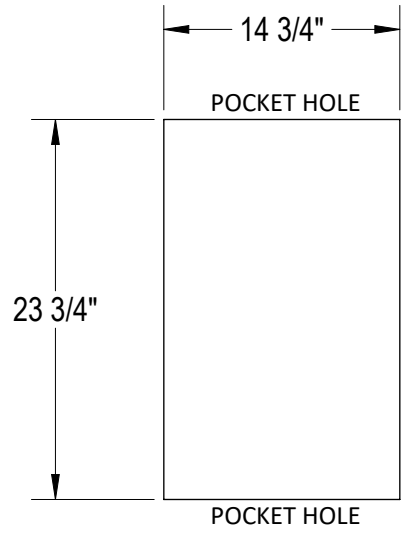
SCALE:

SHT. NO:

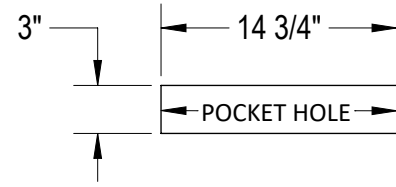
3

NOTE: POCKET HOLES TO BE DRILL ALONG EDGES AS NOTED.
 POCKET HOLES TO BE 2" FROM EDGE & EVENLY SPACED 6"-8" INBETWEEN EACH EDGE.
 THERE SHOULD BE A MINIMUM OF 2 POCKET HOLES IN EACH PIECE.

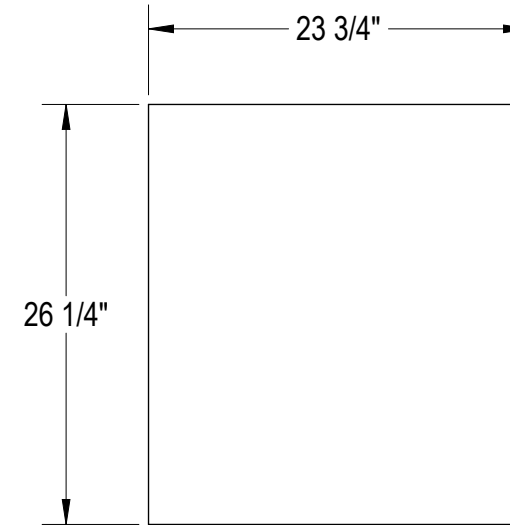
BE SURE TO USE THE PROPER DRILL AND SCREW FOR VARYING MATERIAL THICKNESSES.



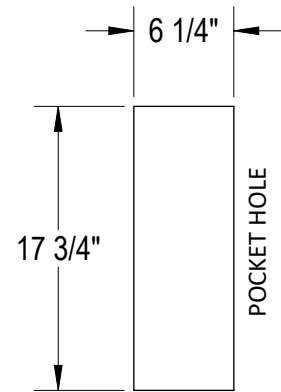
TOP, BOTTOM, & SHELF
 MATR'L: 3/4" PLY
 QTY: 6



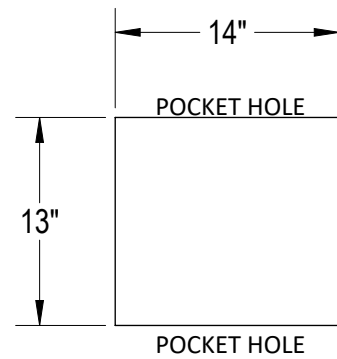
STRETCHER
 MATR'L: 3/4" PLY
 QTY: 2



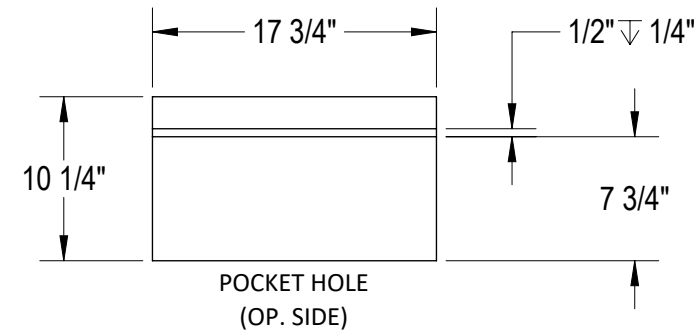
SIDE
 MATR'L: 3/4" PLY
 QTY: 4



DIVIDER SHELF
 MATR'L: 1/2" PLY
 QTY: 1



TOP VERTICAL DIVIDER
 MATR'L: 1/2" PLY
 QTY: 1



BOTTOM VERTICAL DIVIDER
 MATR'L: 1/2" PLY
 QTY: 1



www.woodshopmike.com
 mike@woodshopmike.com

PROJECT NAME: MODERN INDUSTRIAL DESK

DRAWING NAME: LEFT & RIGHT CABINET PARTS

REV	DATE	BY	DESCRIPTION
A	5-31-2020	MP	INITIAL RELEASE

Woodshop Mike, LLC and it's affiliates are not responsible for any damages that may come to persons or properties involved during the creation or use of this project or plans. The use of these plans and construction of this projects is acknowledgement that you as the fabricator assume all liability for proper construction and safe use of the project through all stages.

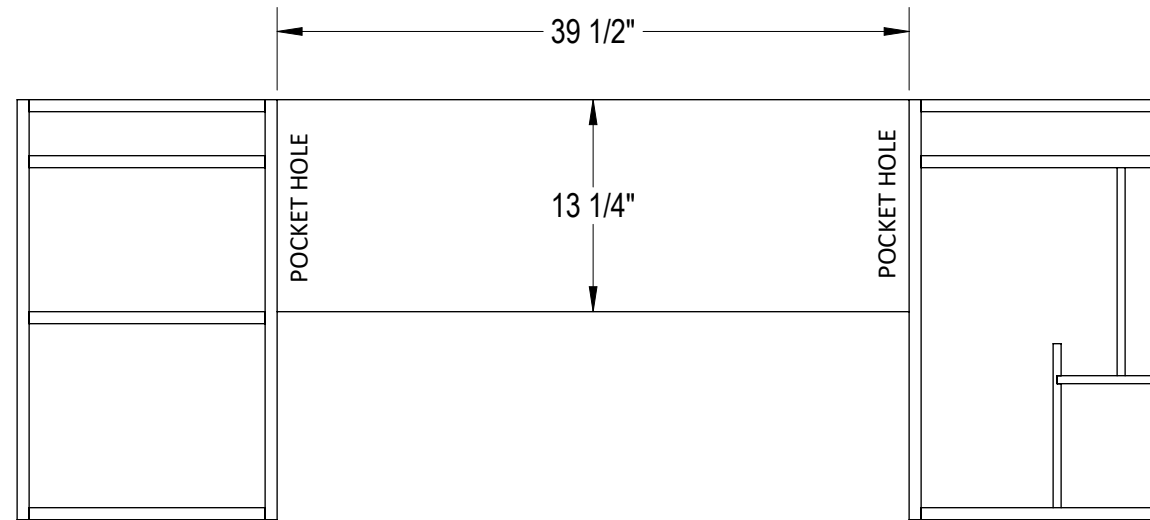
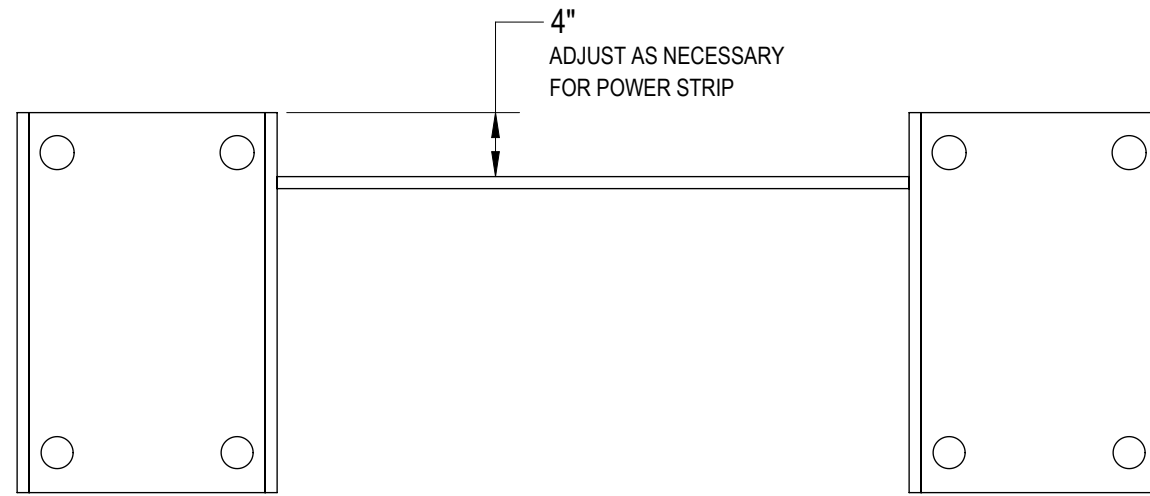
DWN BY:
 MP

SCALE:

SHT. NO:

4

NOTE: SECURE BACK PANEL WITH 1-1/4" POCKET HOLE SCREWS



www.woodshopmike.com
mike@woodshopmike.com

PROJECT NAME: MODERN INDUSTRIAL DESK

DRAWING NAME: CABINET BASE ASSEM

REV	DATE	BY	DESCRIPTION
A	5-31-2020	MP	INITIAL RELEASE

Woodshop Mike, LLC and it's affiliates are not responsible for any damages that may come to persons or properties involved during the creation or use of this project or plans. The use of these plans and construction of this projects is acknowledgement that you as the fabricator assume all liability for proper construction and safe use of the project through all stages.

DWN BY:
MP

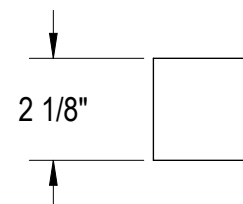
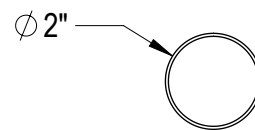
SCALE:

SHT. NO:

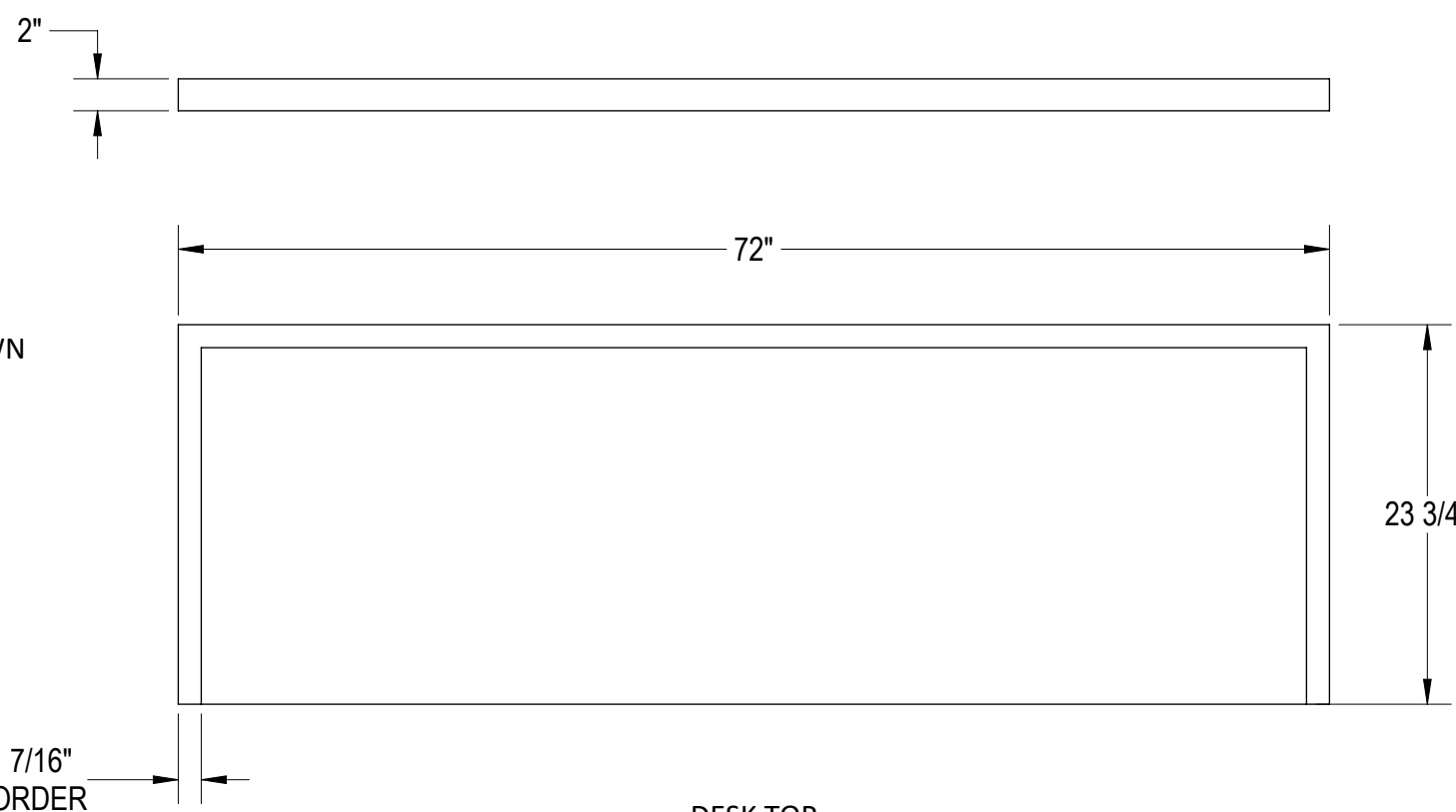
5



www.woodshopmike.com
mike@woodshopmike.com



SPACERS
MATR'L: 2" PIPE
QTY: 8



NOTE: LAMINATE BORDER TO TOP AS SHOWN TO MAKE TOP DESIRED THICKNESS.

DESK TOP
MATR'L: 4/4 HARDWOOD OF CHOICE
QTY: 1

PROJECT NAME: MODERN INDUSTRIAL DESK
DRAWING NAME: DESK TOP & SPACERS

REV	DATE	BY	DESCRIPTION
A	5-31-2020	MP	INITIAL RELEASE

Woodshop Mike, LLC and it's affiliates are not responsible for any damages that may come to persons or properties involved during the creation or use of this project or plans. The use of these plans and construction of this projects is acknowledgement that you as the fabricator assume all liability for proper construction and safe use of the project through all stages.

DWN BY:
MP

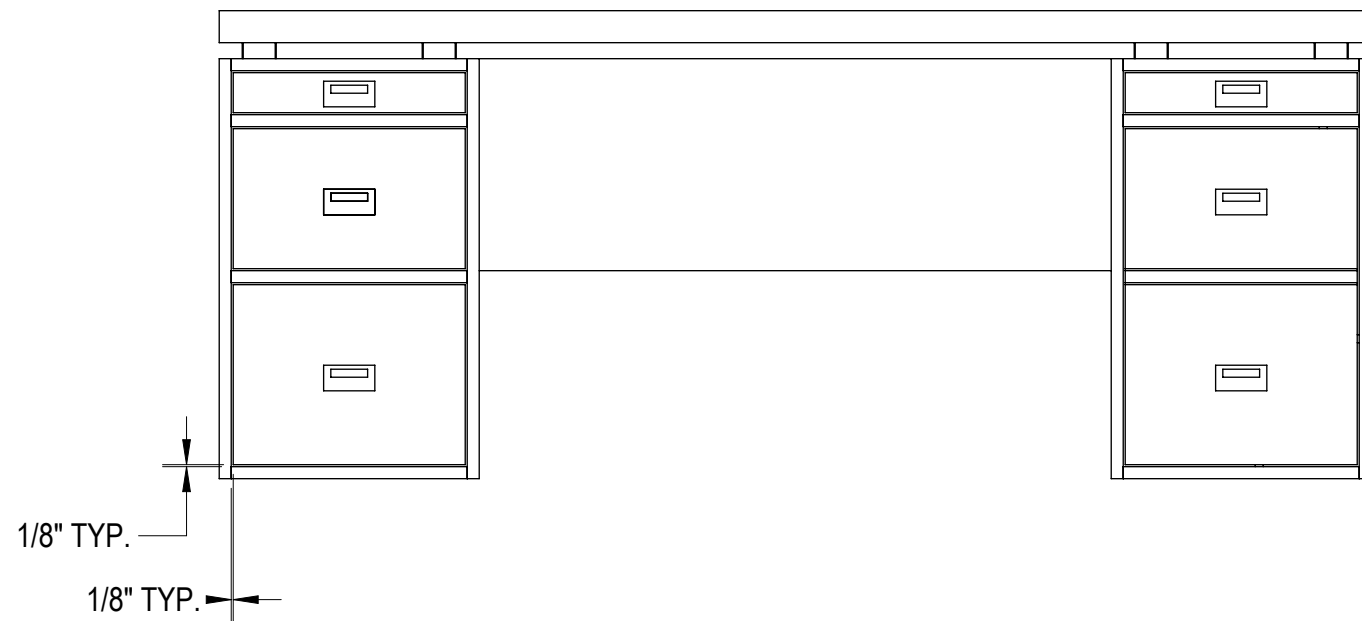
SCALE:

SHT. NO:

6



www.woodshopmike.com
mike@woodshopmike.com



PROJECT NAME: MODERN INDUSTRIAL DESK
DRAWING NAME: DRAWER & DOOR REVEAL

REV	DATE	BY	DESCRIPTION
A	5-31-2020	MP	INITIAL RELEASE

Woodshop Mike, LLC and it's affiliates are not responsible for any damages that may come to persons or properties involved during the creation or use of this project or plans. The use of these plans and construction of this projects is acknowledgement that you as the fabricator assume all liability for proper construction and safe use of the project through all stages.

DWN BY:
MP

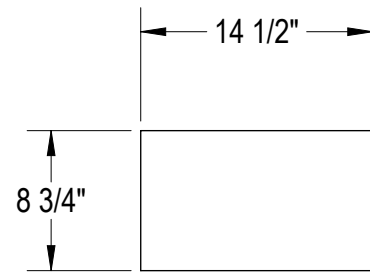
SCALE:

SHT. NO:
7

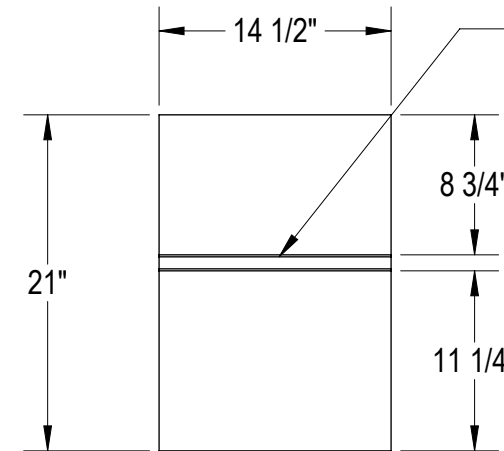
NOTE: DRILL FOR HINGES PER MFG INSTRUCTIONS



www.woodshopmike.com
mike@woodshopmike.com



LEFT CABINET DOOR
MATR'L: 3/4" PLY
QTY: 1



RIGHT CABINET DOOR
MATR'L: 3/4" PLY
QTY: 1

GROOVES CUT WITH A
1/8" TABLESAW BLADE
OR ROUTER BIT 1/8" DEEP
TO MIMIC DRAWERS AND
DOORS ON LEFT SIDE CABINET

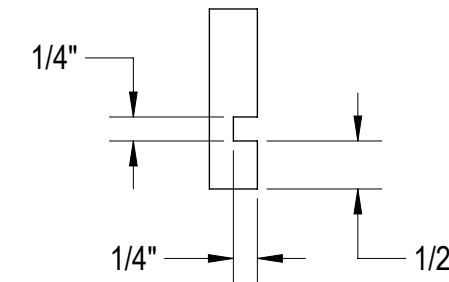
DRAWER BOX ASSEMBLY

DRILL 2 POCKET HOLES (FOR TOP DRAWERS) AND 3 POCKET HOLES (FOR BOTTOM DRAWER) IN EACH END OF DRAWER BOX FRONTS/BACKS.

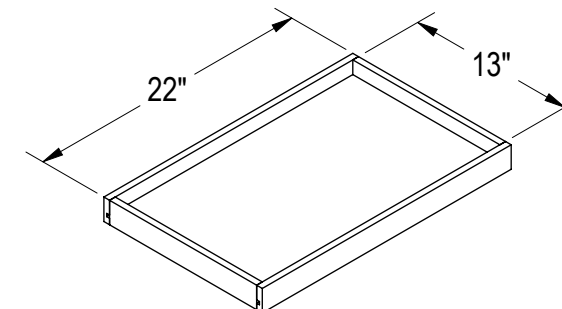
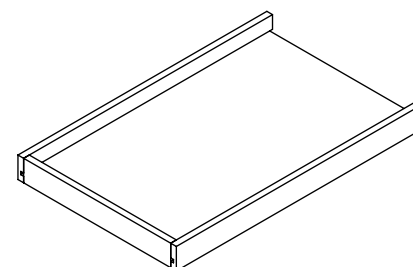
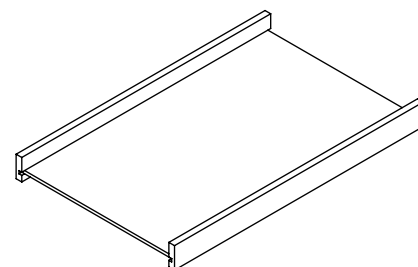
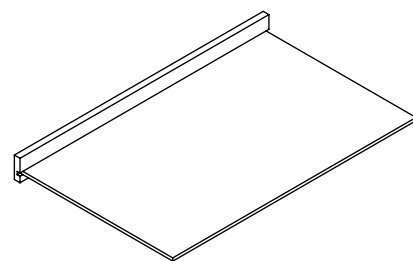
EXACT PLACEMENT OF HOLES IS NOT CRITICAL, SPACE HOLES ROUGHLY 1/2" FROM EDGE.

****DO NOT DRILL THROUGH GROOVE FOR THE DRAWER BOTTOM****

ASSEMBLE DRAWER BOXES AS SHOWN BELOW.
CLAMP BOX TOGETHER AND USE 1" PAN HEAD POCKET HOLE SCREWS TO SECURE



DRAWER BOTTOM GROOVE



PROJECT NAME: MODERN INDUSTRIAL DESK

DRAWING NAME: DRAWER & DOOR PARTS

REV	DATE	BY	DESCRIPTION
A	5-31-2020	MP	INITIAL RELEASE

Woodshop Mike, LLC and it's affiliates are not responsible for any damages that may come to persons or properties involved during the creation or use of this project or plans. The use of these plans and construction of this projects is acknowledgement that you as the fabricator assume all liability for proper construction and safe use of the project through all stages.

DWN BY:
MP

SCALE:

SHT. NO:

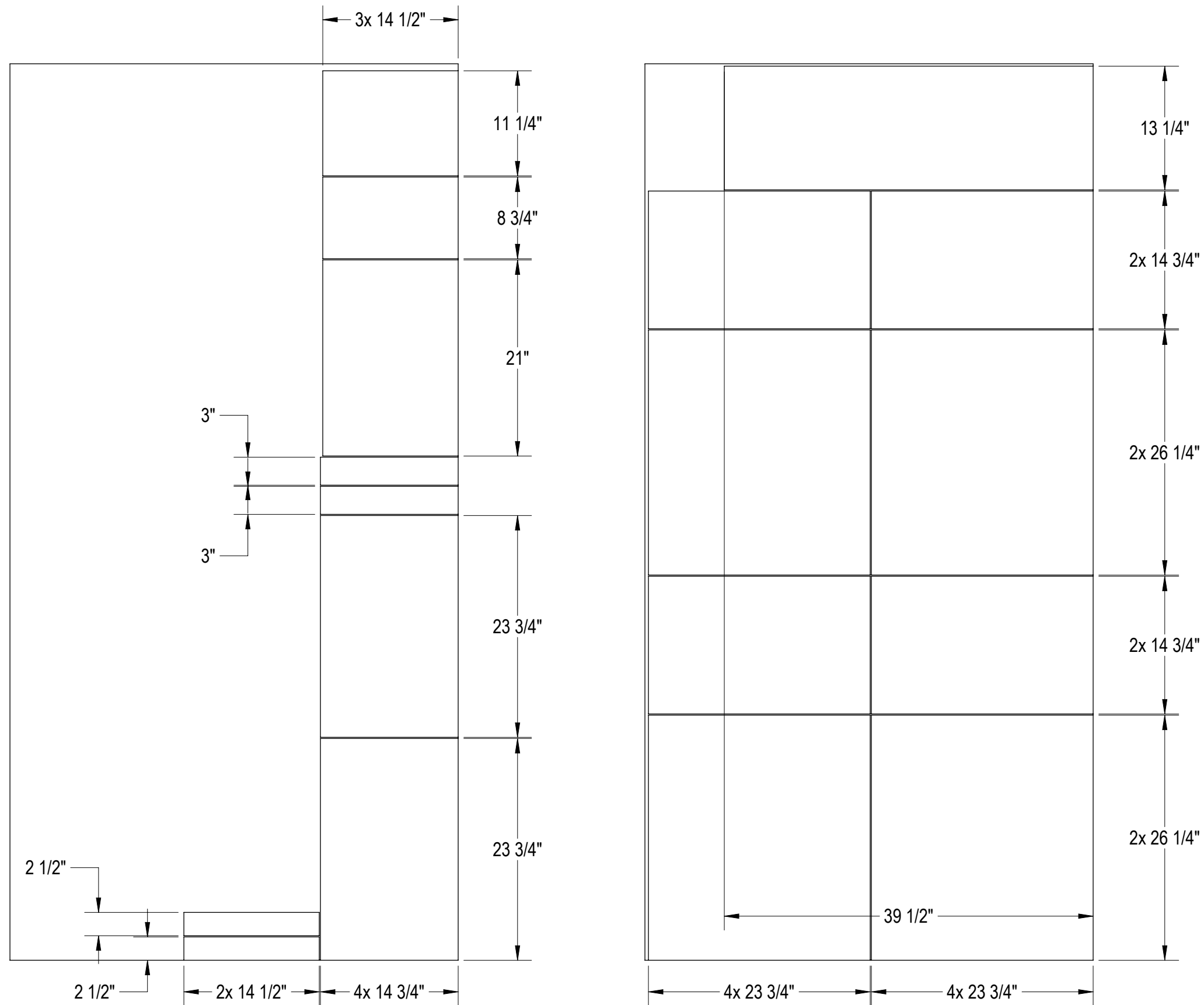
8

Reproduction of this document without the written authorization of Woodshop Mike, LLC is strictly prohibited Copyright 2020, Woodshop Mike, LLC

MTR'L: 3/4"



www.woodshopmike.com
mike@woodshopmike.com



PROJECT NAME: MODERN INDUSTRIAL DESK

DRAWING NAME: 3/4" PLYWOOD LAYOUT

REV	DATE	BY	DESCRIPTION
A	5-31-2020	MP	INITIAL RELEASE

Woodshop Mike, LLC and it's affiliates are not responsible for any damages that may come to persons or properties involved during the creation or use of this project or plans. The use of these plans and construction of this projects is acknowledgement that you as the fabricator assume all liability for proper construction and safe use of the project through all stages.

DWN BY:
MP

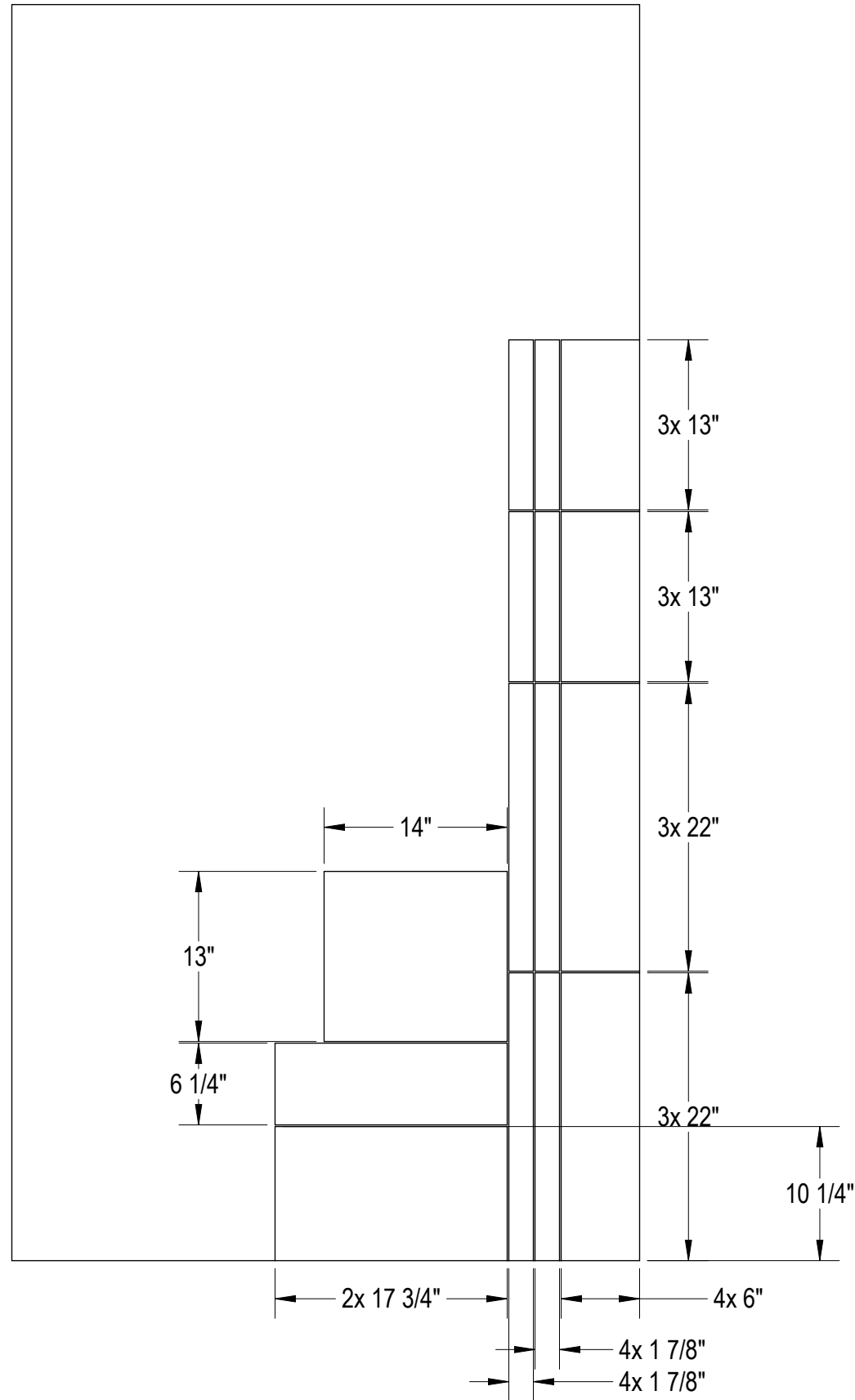
SCALE:

SHT. NO:

9

Reproduction of this document without the written authorization of Woodshop Mike, LLC is strictly prohibited Copyright 2020, Woodshop Mike, LLC

MTR'L: 1/2"



www.woodshopmike.com
mike@woodshopmike.com

PROJECT NAME: MODERN INDUSTRIAL DESK

DRAWING NAME: 1/2" PLYWOOD LAYOUT

REV	DATE	BY	DESCRIPTION
A	5-31-2020	MP	INITIAL RELEASE

Woodshop Mike, LLC and it's affiliates are not responsible for any damages that may come to persons or properties involved during the creation or use of this project or plans. The use of these plans and construction of this projects is acknowledgement that you as the fabricator assume all liability for proper construction and safe use of the project through all stages.

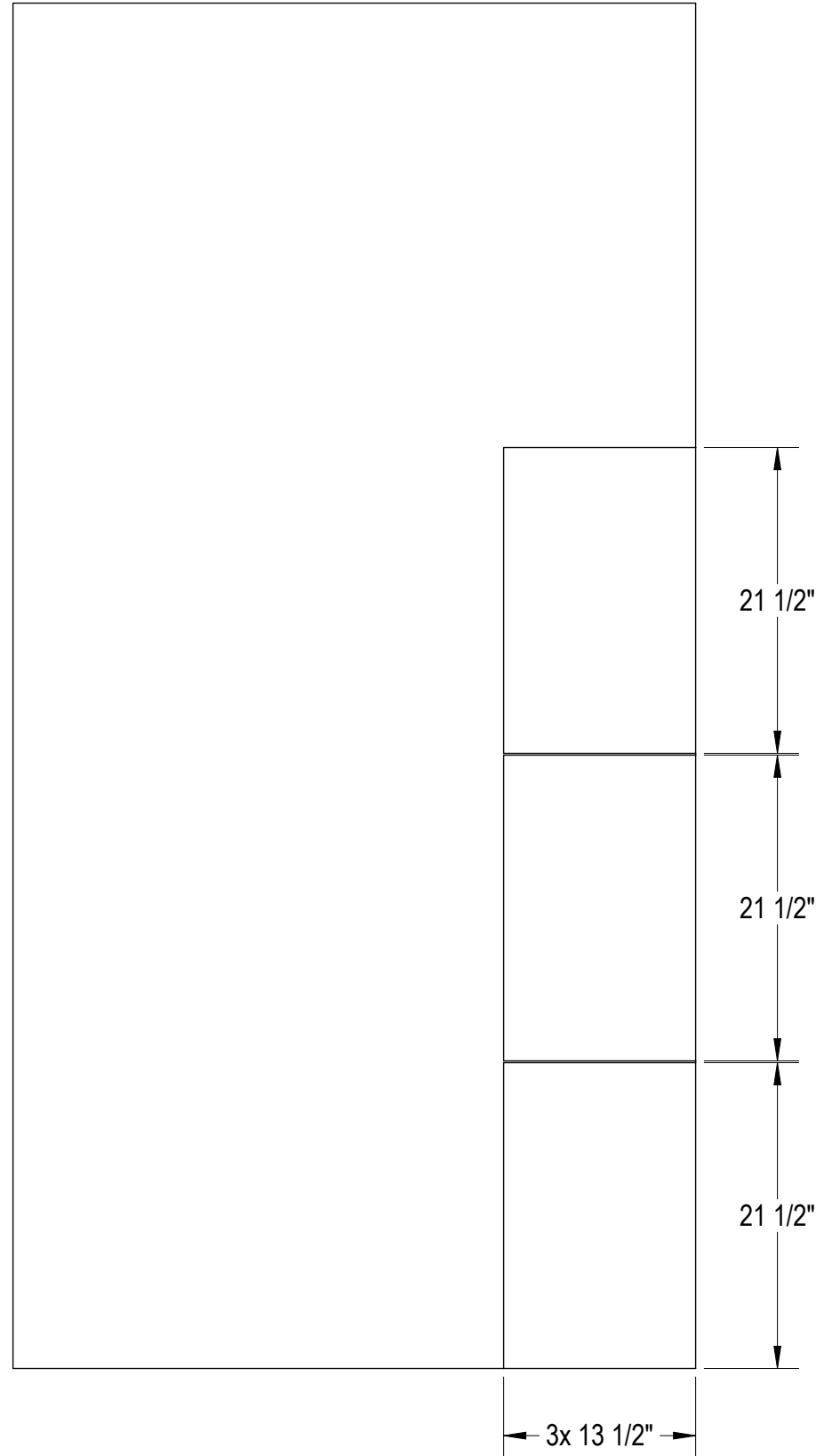
DWN BY:
MP

SCALE:

SHT. NO:

10

MTR'L: 1/4"



www.woodshopmike.com
mike@woodshopmike.com

PROJECT NAME: MODERN INDUSTRIAL DESK

DRAWING NAME: 1/4" PLYWOOD LAYOUT

REV	DATE	BY	DESCRIPTION
A	5-31-2020	MP	INITIAL RELEASE

Woodshop Mike, LLC and it's affiliates are not responsible for any damages that may come to persons or properties involved during the creation or use of this project or plans. The use of these plans and construction of this projects is acknowledgement that you as the fabricator assume all liability for proper construction and safe use of the project through all stages.

DWN BY:
MP

SCALE:

SHT. NO:

11

Reproduction of this document without the written authorization of Woodshop Mike, LLC is strictly prohibited Copyright 2020, Woodshop Mike, LLC