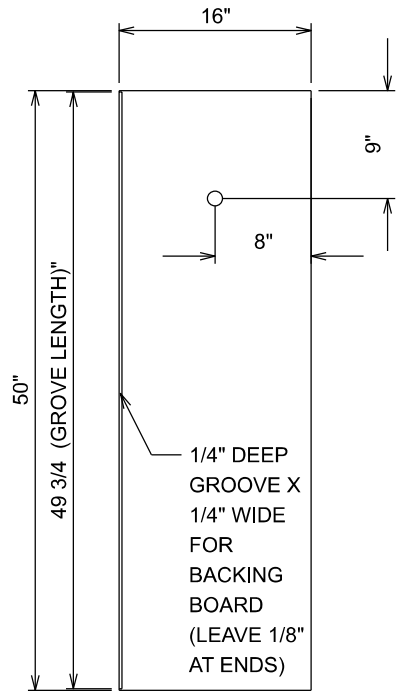
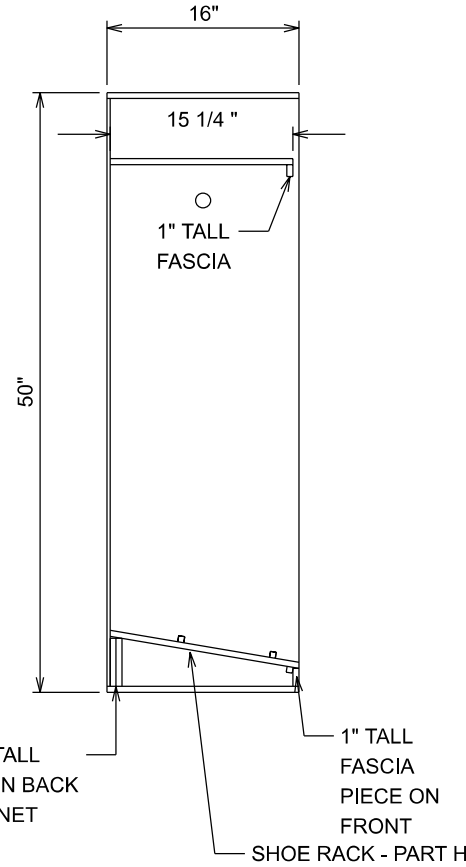


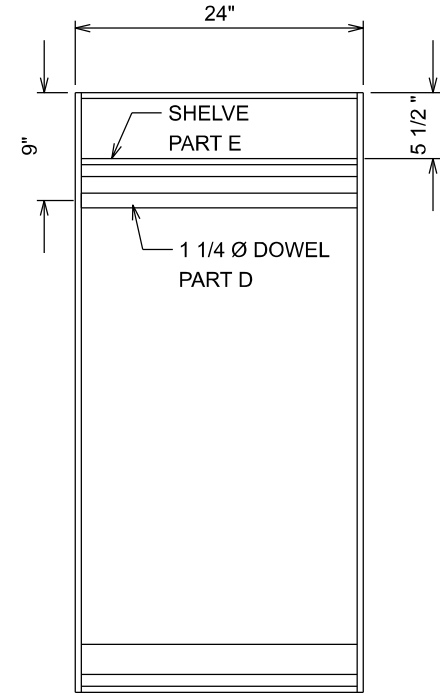
KIDS DRESS UP WARDROBE



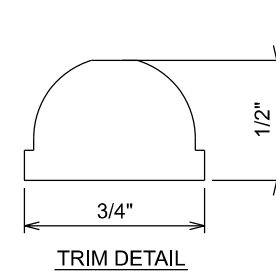
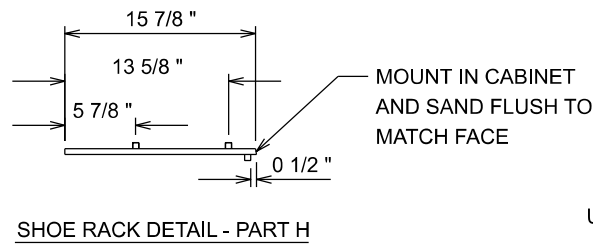
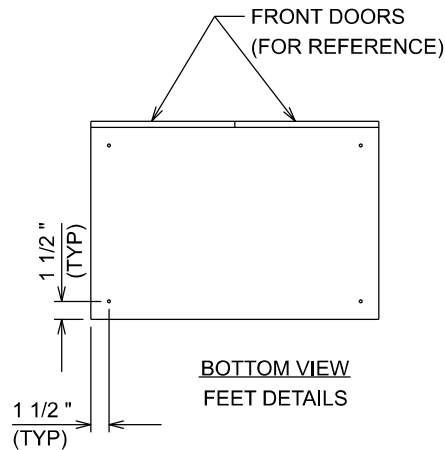
SIDE PIECE - PART B
MIRROR FOR OPPOSITE SIDE



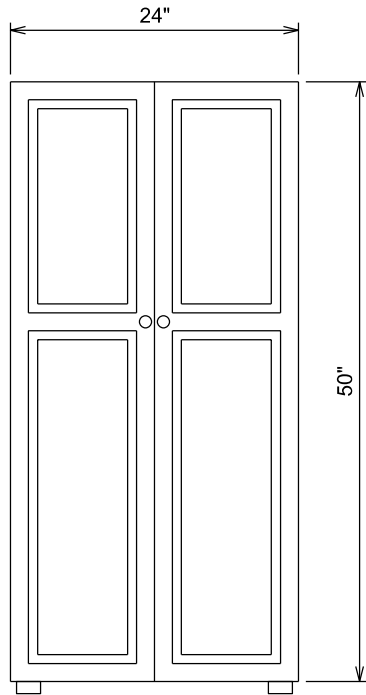
CABINET SIDE VIEW
(NO DOORS)



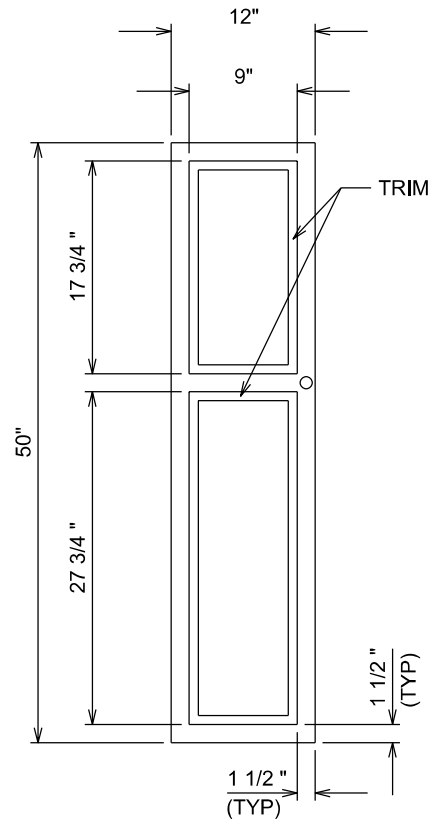
CABINET FRONT VIEW
(NO DOORS)



USED 1/4" ROMAN OGEE BIT ON EITHER SIDE OF 3/4" WIDE X 1/2" TALL PIECE OF MDF

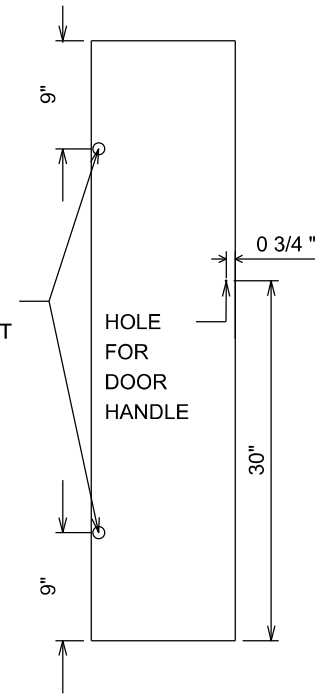


CABINET DIMENSION
(16 1/2" DEEP)

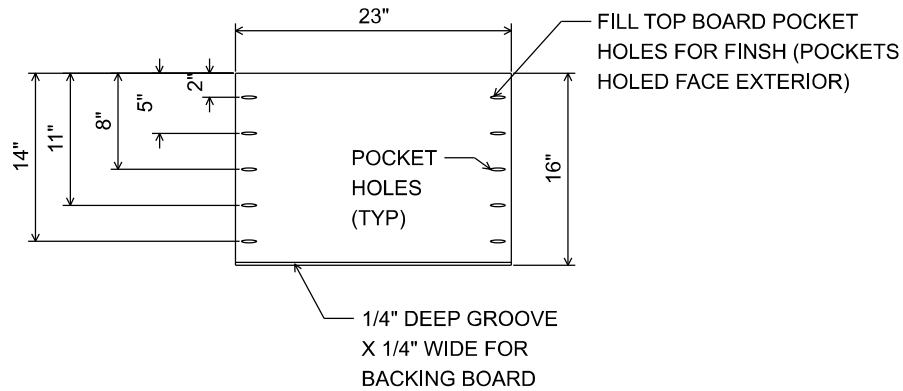


DOOR DETAILS
FRONT FACE
OPPOSITE SIDE MIRRORED

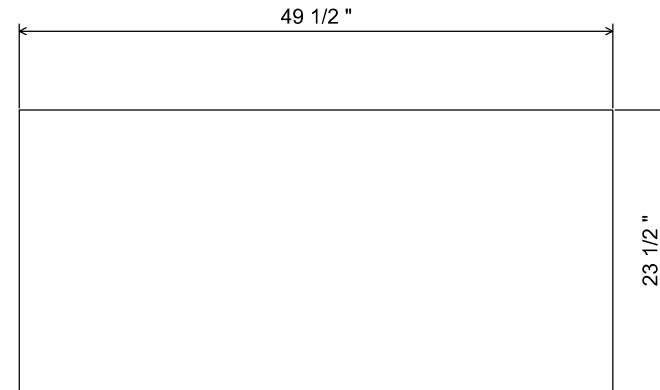
HOLE FOR FULL
DISPLAY CABINET
OR HINGE



DOOR DETAILS
BACK FACE
OPPOSITE SIDE MIRRORED



TOP/BOTTOM - PART C
DETAILS

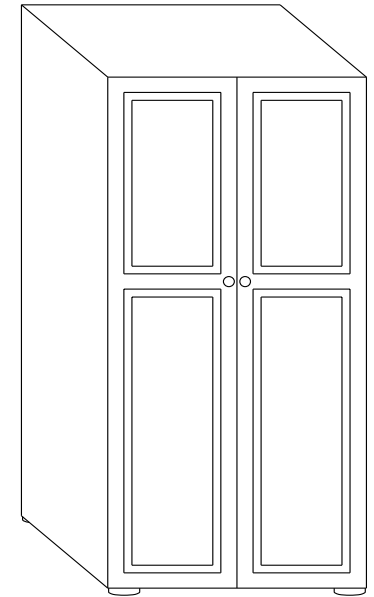


BACKING BOARD - PART K

MATERIAL LIST

Quantity	Material/Item	Dimensions
2	1/2" thick MDF	4' X8'
1	pine dowel	24 " long
1	1/4" hardboard	50" x24"
1	Door Trim	1/2" x 3/4" x 22' (approx.)
2	Door Pulls	-
4	Cabinet Feet	-
4	Door Hinges	-

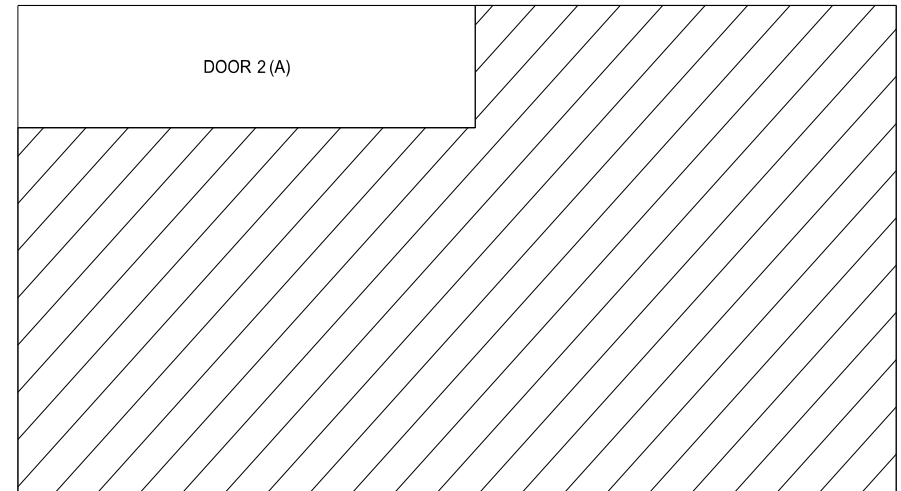
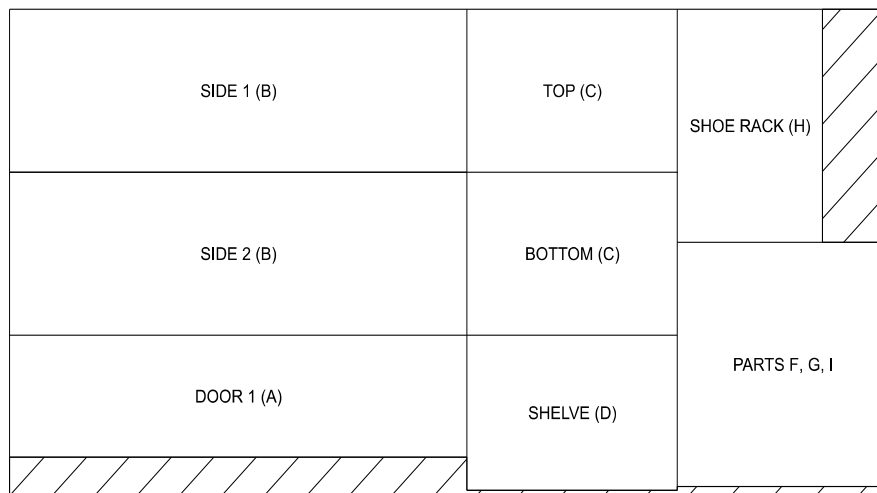
love
create celebrate



PART LIST

Component	Quantity	Description	Material	Dimensions	*Notes*
A	2	Doors	1/2" thick MDF	50" x 12"	
B	2	Side	1/2" thick MDF	50" x 16'	
C	2	Top/Bottom	1/2" thick MDF	16" x 23"	
D	1	1 1/4" Dowel	pine dowel	23 1/2 " long	
E	1	Shelve	1/2" thick MDF	15 1/4" x 23"	
F	2	Fascia	1/2" thick MDF	1" x 23"	for bottom and shelve
G	2	Back Shim	1/2" thick MDF	4" x 23"	
H	1	Shoe Rack	1/2" thick MDF	15 7/8" x 22 7/8"	
I	3	Shoe Rack Bars	1/2" thick MDF	1/2" x 22 7/8"	
J	1	Trim	1/2" thick MDF	1/2" x 3/4" x 22' (approx.)	profile as noted in drawings
K	1	Backing	1/4" hardboard	49 1/2" x 23 1/2"	
L	2	Door Pulls	-	-	
M	4	Cabinet Feet	-	-	
N	4	Door Hinges	-	-	Full Overlay Cabinet Door Hinge

CUT LIST



UNUSED MATERIAL