

NATE CRILLY  
WOODWORKS

LEGO TABLE

MATERIALS LIST

Item	Description	Quantity
Plywood	3/4" Plywood - Full Sheet of Baltic Birch or Half Sheet of Any Other Good Plywood	1
Plywood	1/4" Plywood or MDF - 1/4 Sheet	1
Drawer Slides	14" Full Extension	1 set
Screws	1-1/4" Kreg Pocket Screws	1 box
Lego Plate	15" x 15" Lego Duplo Building Plate	2



NATE CRILLY  
WOODWORKS

LEGO TABLE

# PARTS LIST

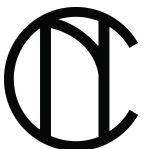
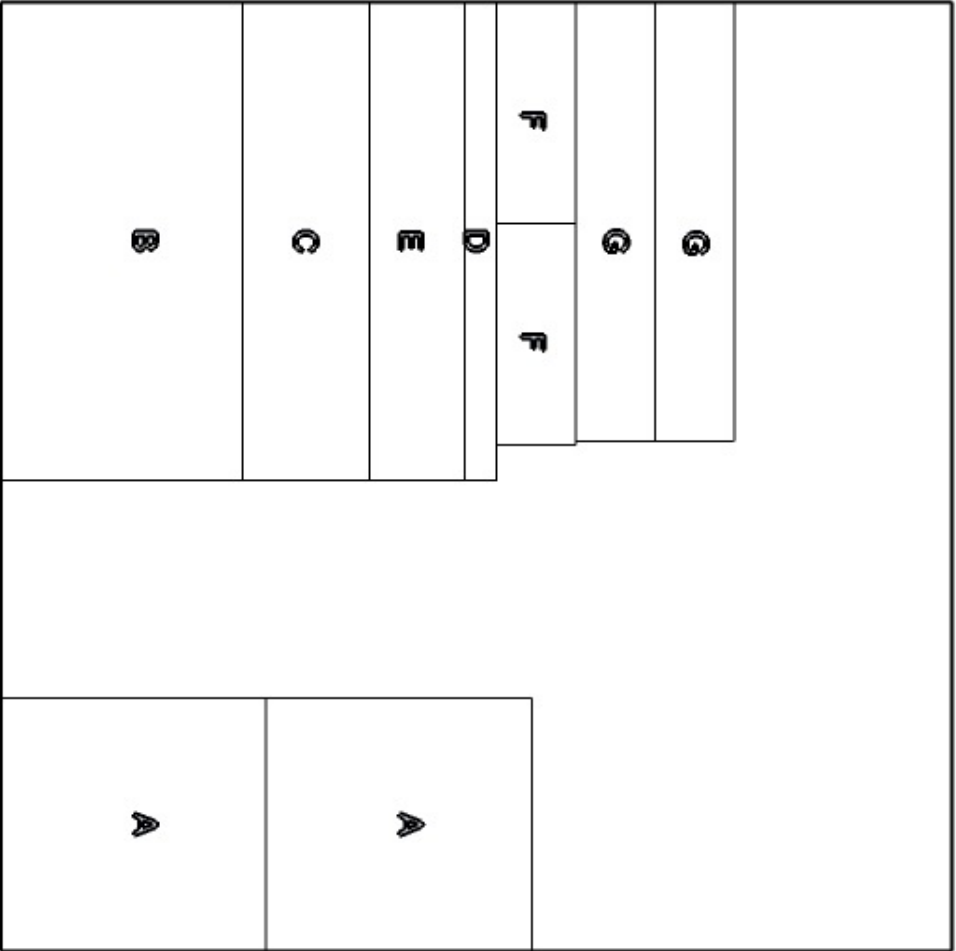
Part	Name	Description	Quantity
A	Side	16-3/4" x 16" x 3/4"	2
B	Top	30-1/4" x 15-1/4" x 3/4"	1
C	Back	30-1/4" x 8" x 3/4"	1
D	Front Trim	30-1/4" x 2" x 3/4"	1
E	False Drawer Front	30-1/4" x 6" x 3/4"	1
F	Drawer Sides	14" x 5" x 3/4"	2
G	Drawer Front/Back	27-3/4" x 5" x 3/4"	2
H	Drawer Bottom	28-3/4" x 13.5" x 1/4"	1



NATE CRILLY  
WOODWORKS

LEGO TABLE

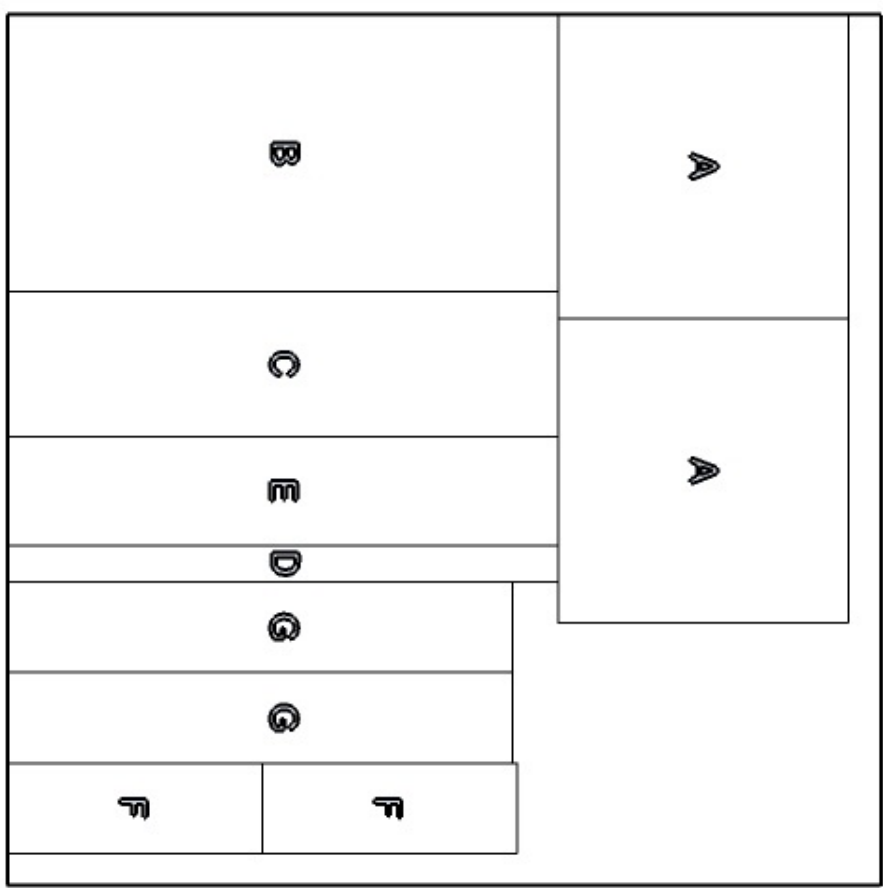
CUT DIAGRAM · 3/4" BAL TIC BIRCH · 5' X 5' SHEET



NATE CRILLY  
WOODWORKS

LEGO TABLE

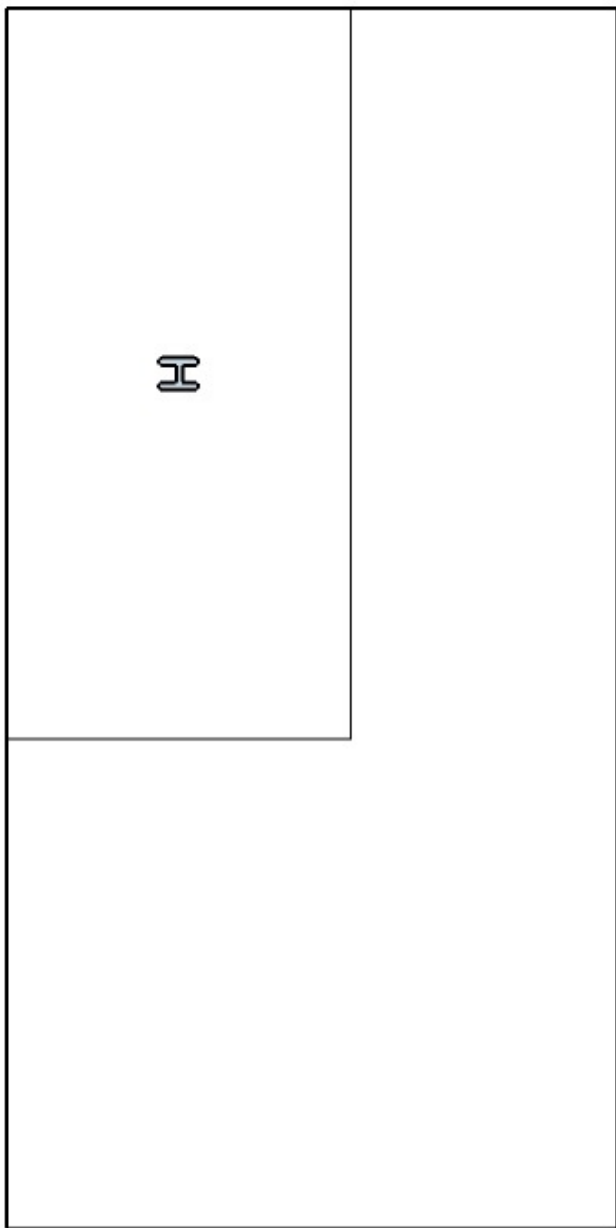
CUT DIAGRAM · ALTERNATE · HALF SHEET 3/4" PLYWOOD



NATE CRILLY  
WOODWORKS

LEGO TABLE

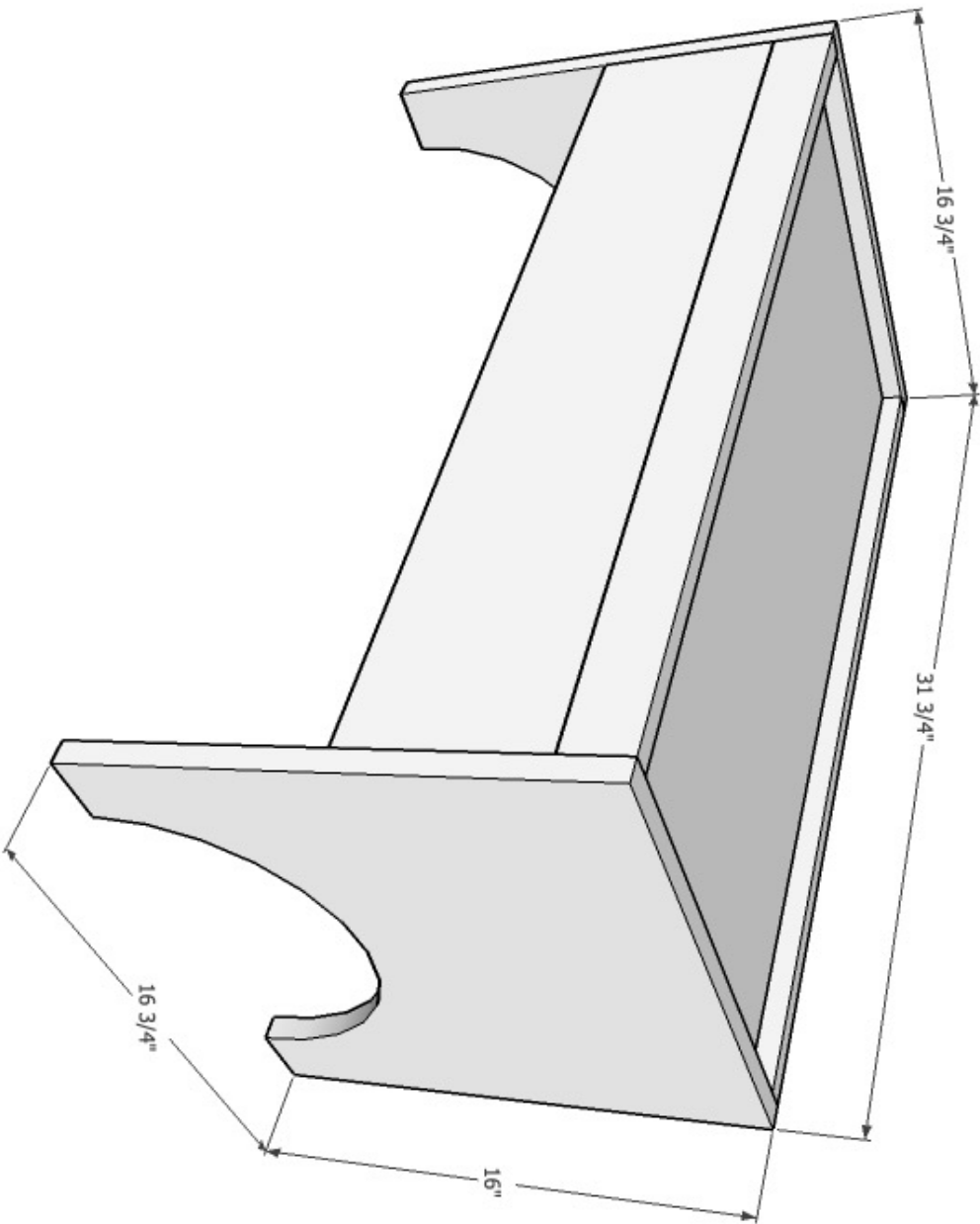
CUT DIAGRAM · QUARTER SHEET OF 1/4" MATERIAL



NATE CRILLY  
WOODWORKS

LEGO TABLE

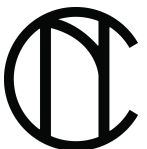
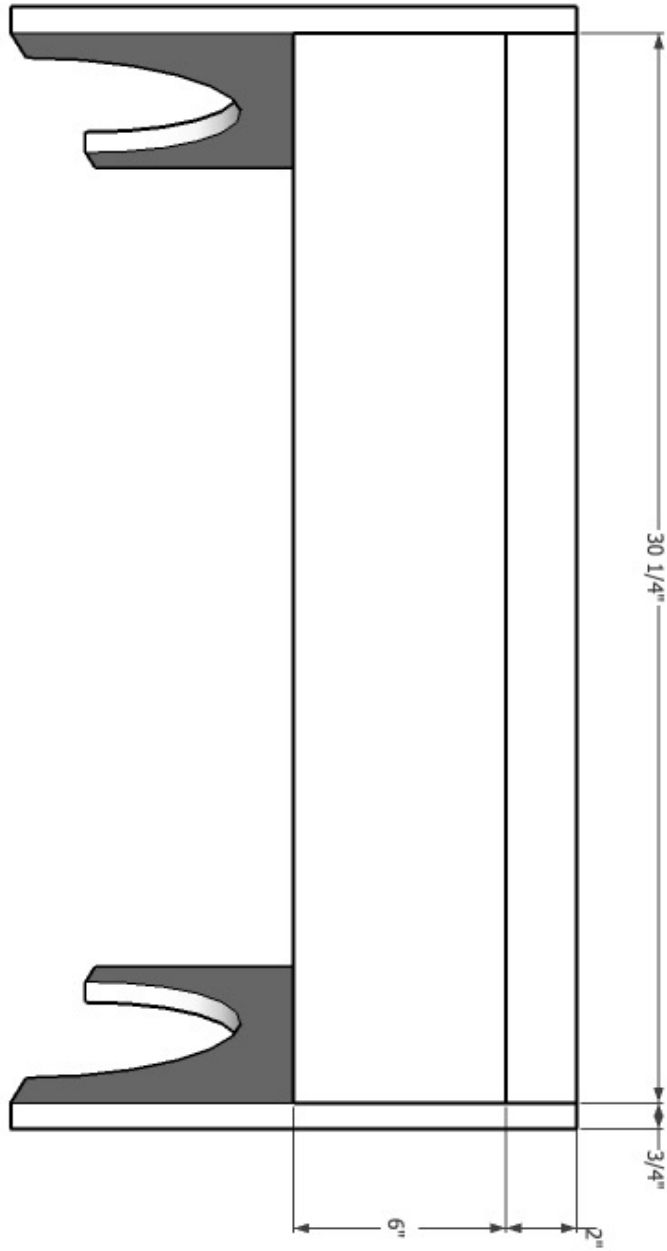
OVERVIEW



NATE CRILLY  
WOODWORKS

LEGO TABLE

FRONT VIEW

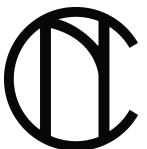
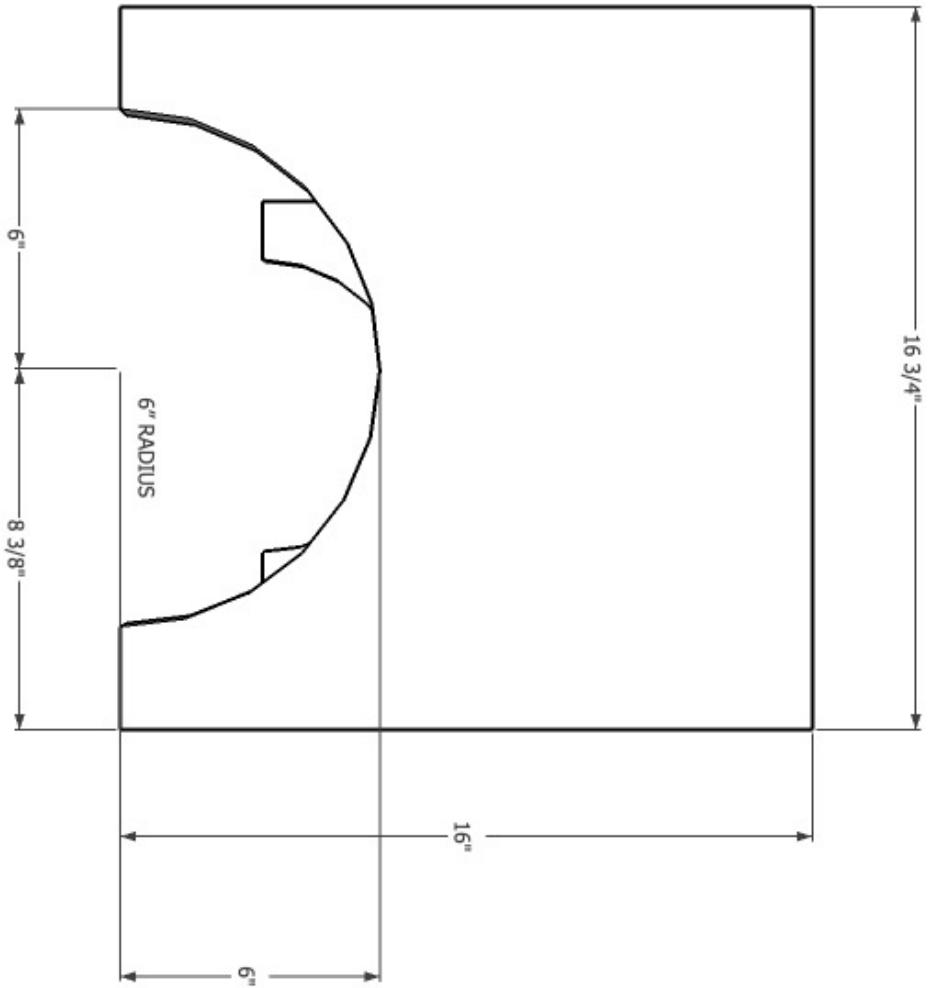


NATE CRILLY  
WOODWORKS

LEGO TABLE



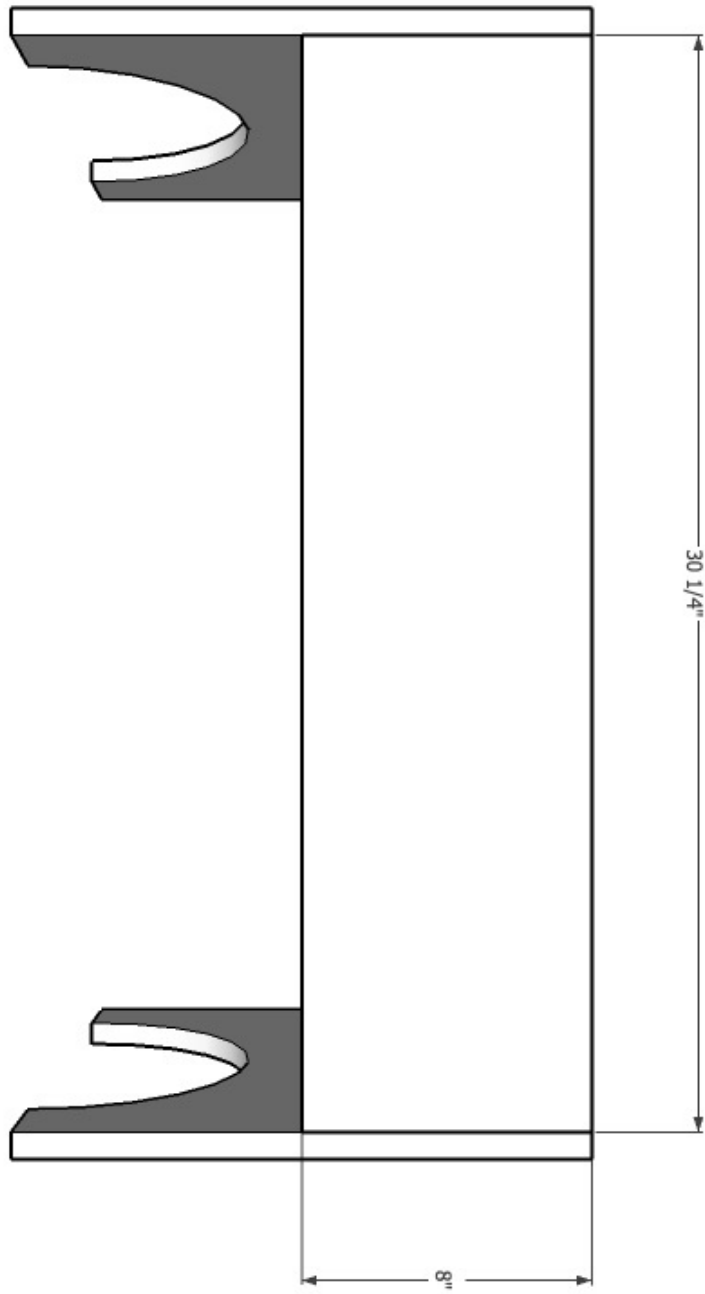
SIDE VIEW



NATE CRILLY  
WOODWORKS

LEGO TABLE

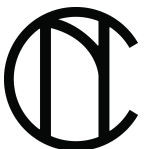
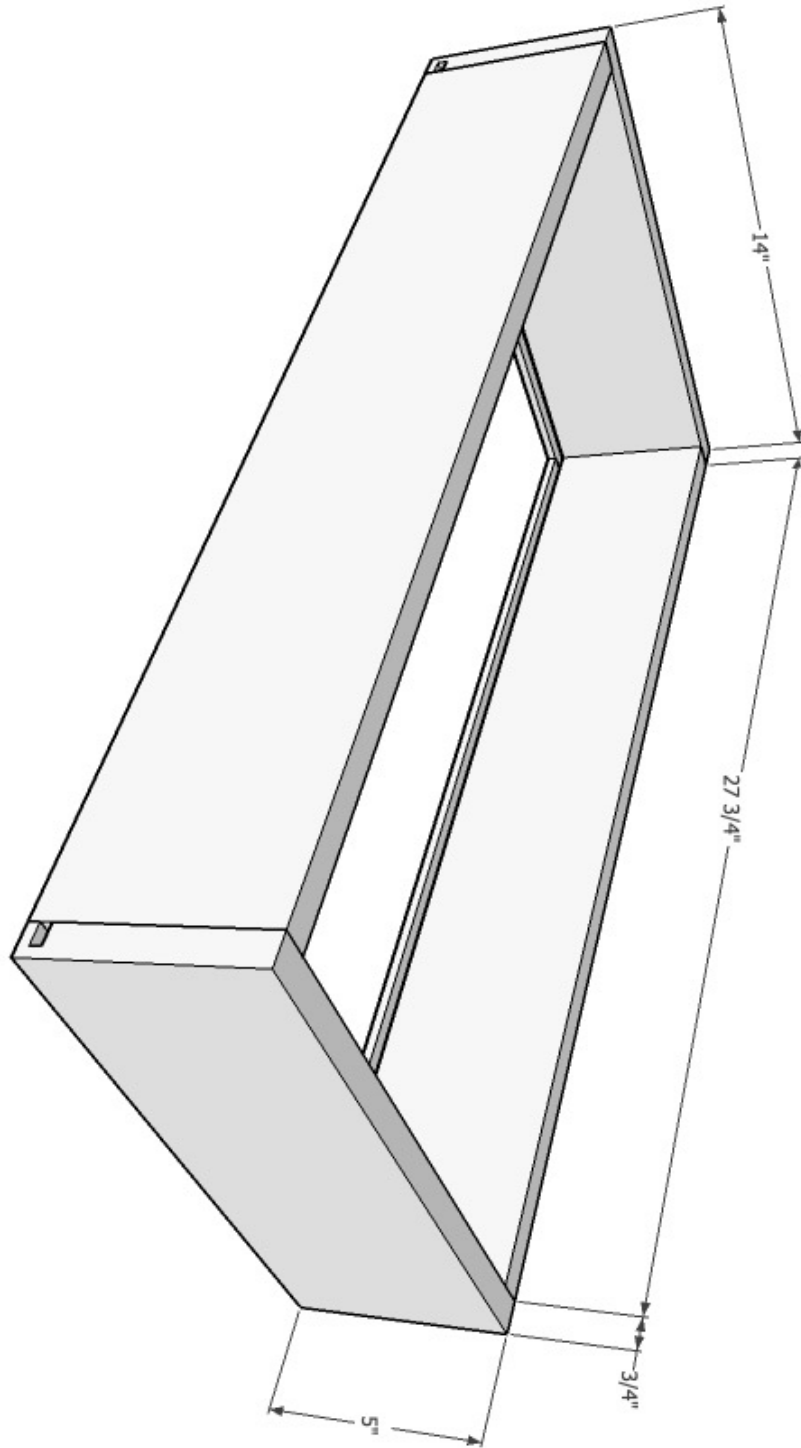
BACK VIEW



NATE CRILLY  
WOODWORKS

LEGO TABLE

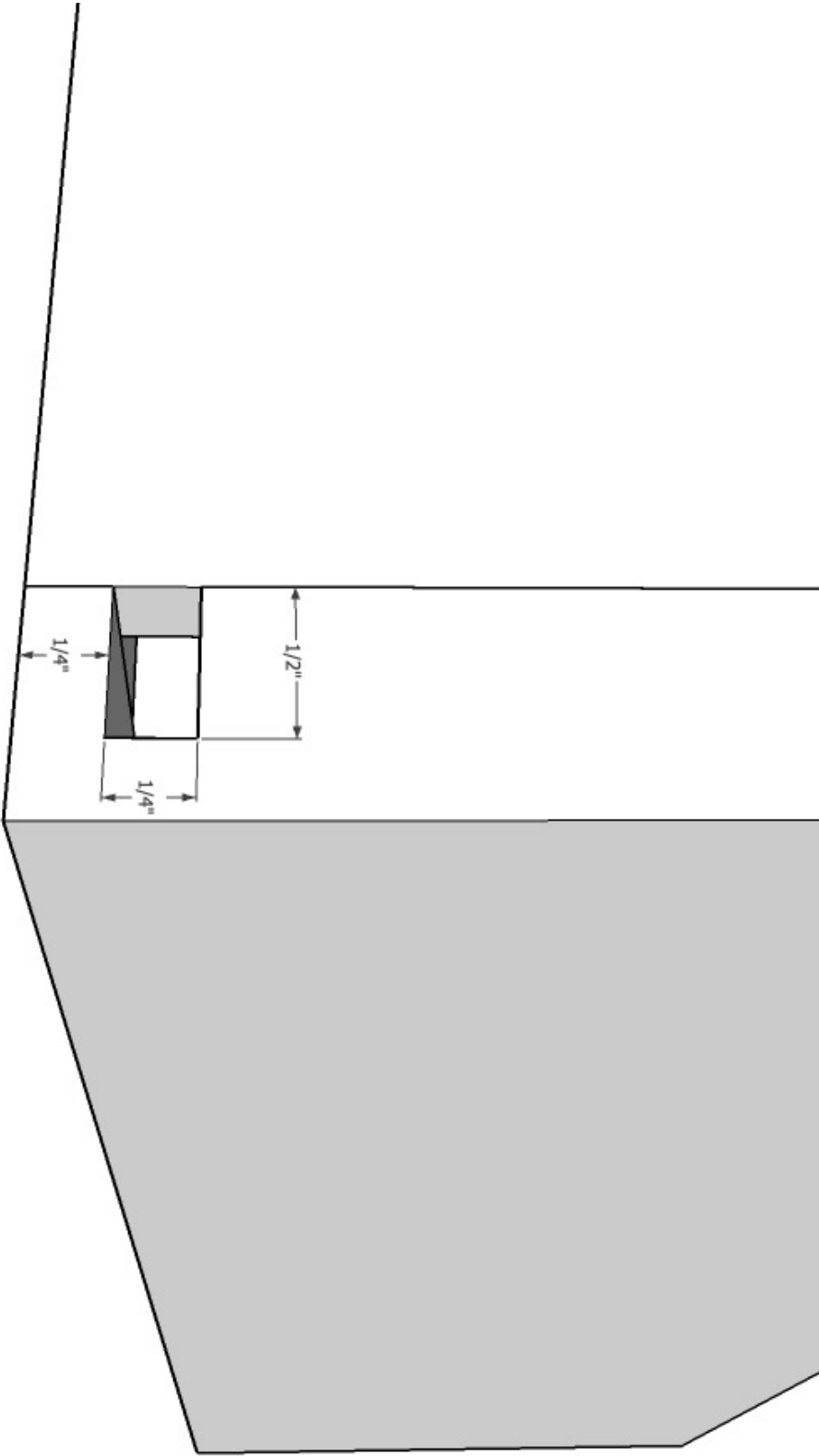
DRAWER BOX



NATE CRILLY  
WOODWORKS

LEGO TABLE

DRAWER · GROOVE DETAIL



NATE CRILLY  
WOODWORKS

LEGO TABLE