

TABLE OF CONTENTS	
SHT NO.	DESCRIPTION
1	COVER PAGE
2	SLIDING DOOR LAYOUT
3	EXPLODED VIEW
4	CABINET BASE ASSEMBLY
5	CABINET FRAME
6	CABINET ASSEMBLY PROCESS



www.woodshopmike.com
mike@woodshopmike.com

www.woodshopmike.com
mike@woodshopmike.com

PROJECT NAME:		
DRAWING NAME: COVER SHEET		
REV	DATE	DESCRIPTION

DIRECTIONS

1. MEASURE OPENING AND ADJUST DIMENSIONS OF DOORS AS NECESSARY FOR YOUR SPACE.
2. STARTING WITH 2X6s MILL UNTIL STRAIGHT AND TRUE TO CONSTRUCT FRAME.
3. CUT DADO IN RAILS TO ACCEPT 1/2" MDF CENTER PANEL AS SHOWN ON PAGE 4.
4. DRILL HOLES IN TOP RAILS ONLY AS SHOWN ON PAGE 4.
5. DRILL FOR HD POCKET HOLES IN TOP AND BOTTOM RAIL PIECES.
6. CUT GROOVES IN CENTER PANEL.
7. ASSEMBLE
8. IF USING THE SAME SLIDING DOOR HARDWARE AS SHOWN IN BUILD VIDEO, CUT POCKETS AS SHOWN ON PAGE 6.
9. PAINT & FINISH AS DESIRED.
10. INSTALL DOOR.

MATERIALS (per door)	
ITEM	QTY
2"X6" X 8'	3
1/2" MDF, 4' X 8'	1 SHEET
HD POCKET HOLE SCREWS	8
GLUE (OPTIONAL)	16 oz
SLIDING DOOR HARDWARE	1 SET
SLIDING DOOR TRACK	VARIES ON WIDTH OF DOOR
FLOOR ROLLER	1
HANDLE	1
FINISH OF CHOICE	2 QUARTS

Woodshop Mike, LLC and it's affiliates are not responsible for any damages that may come to persons or properties involved during the creation or use of this project or plans. The use of these plans and construction of this projects is acknowledgement that you as the fabricator assume all liability for proper construction and safe use of the project through all stages.

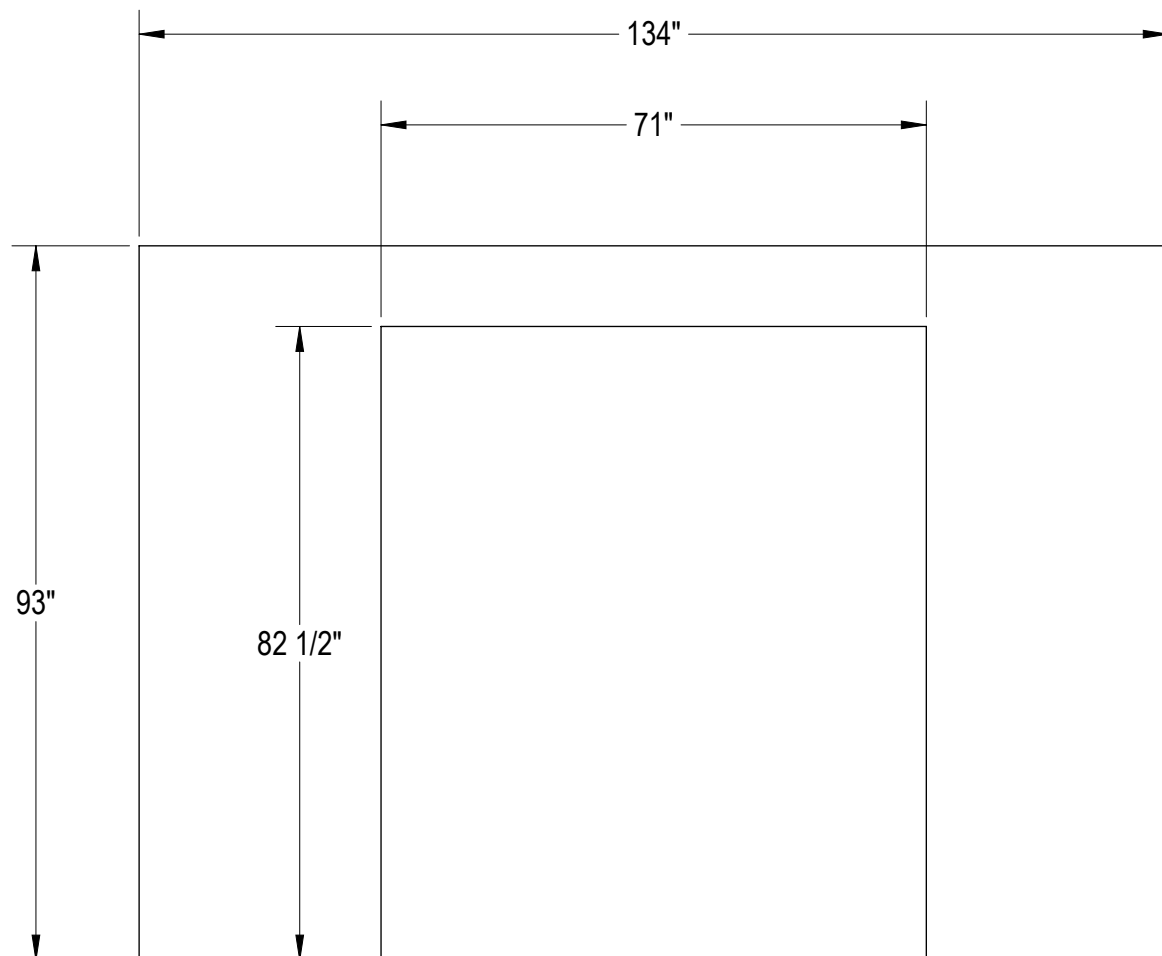
DWN BY:

SCALE:

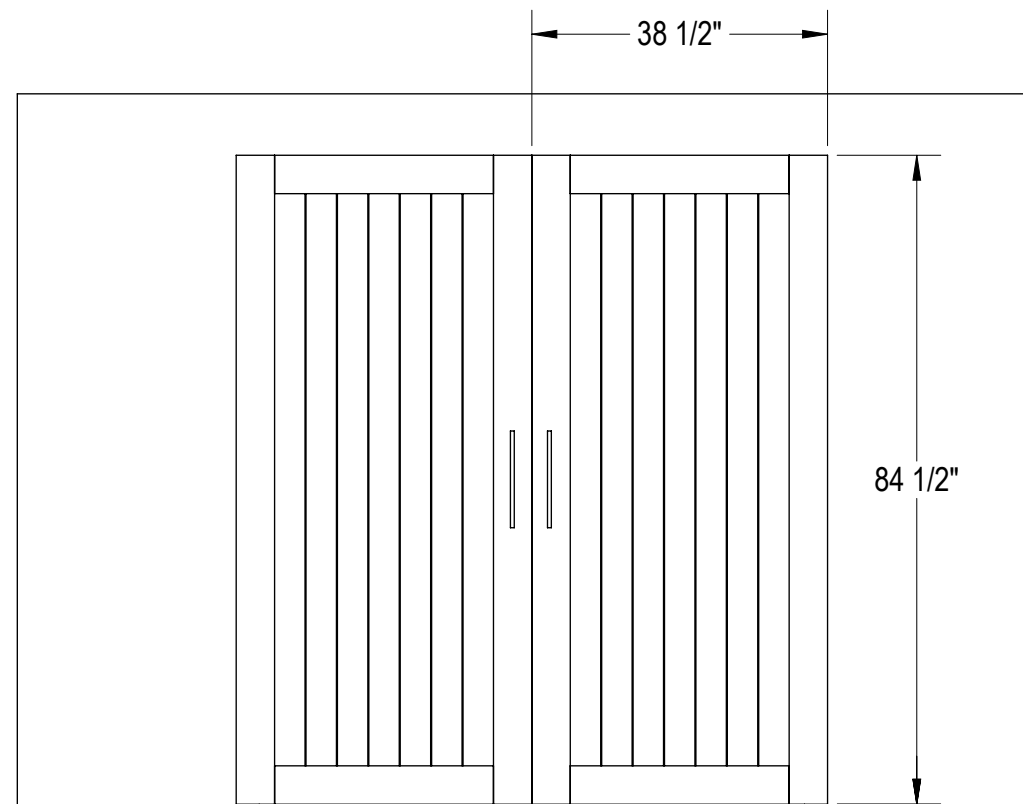
SHT. NO: **1**



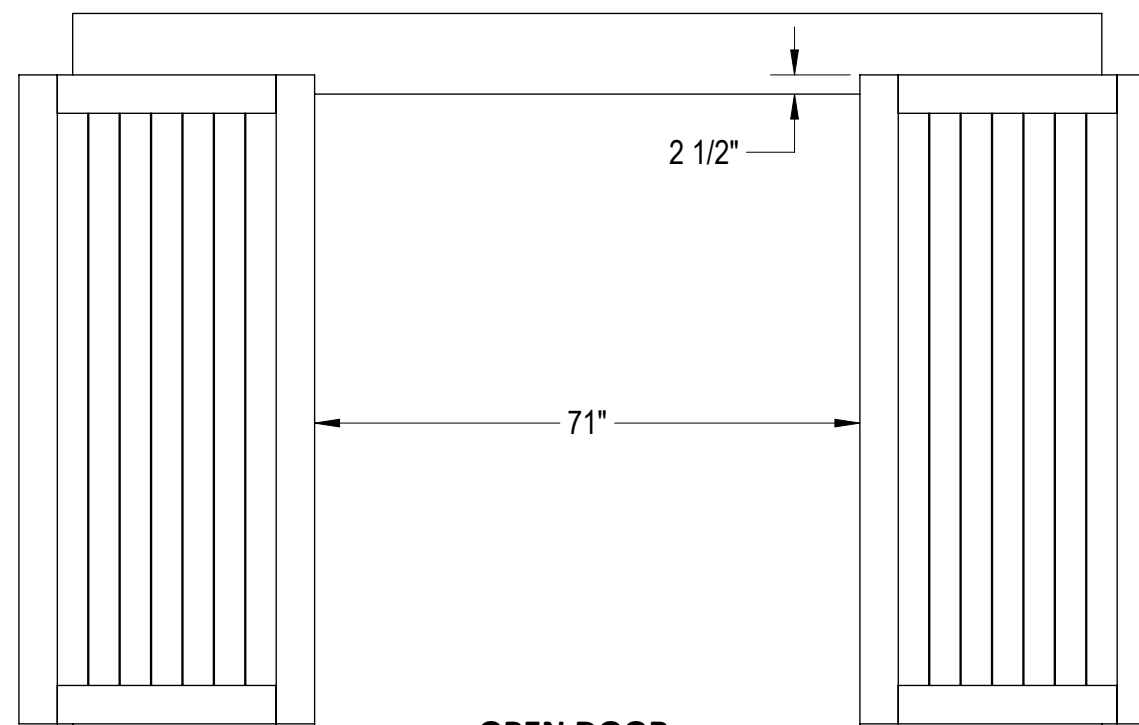
www.woodshopmike.com
mike@woodshopmike.com



NO DOOR



CLOSED DOOR



OPEN DOOR

PROJECT NAME: SLIDING DOOR LAYOUT

REV	DATE	BY	DESCRIPTION

Woodshop Mike, LLC and it's affiliates are not responsible for any damages that may come to persons or properties involved during the creation or use of this project or plans. The use of these plans and construction of this projects is acknowledgement that you as the fabricator assume all liability for proper construction and safe use of the project through all stages.

DWN BY:

SCALE:

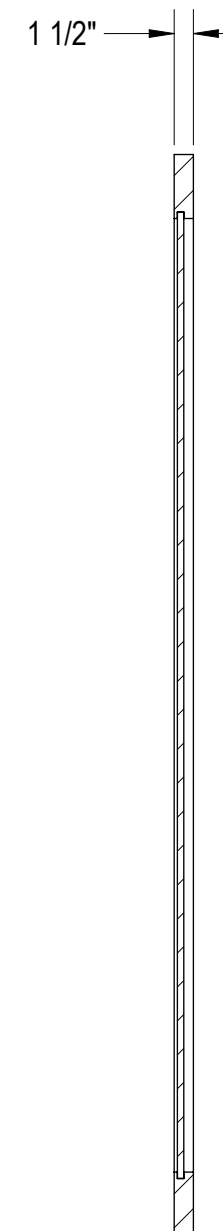
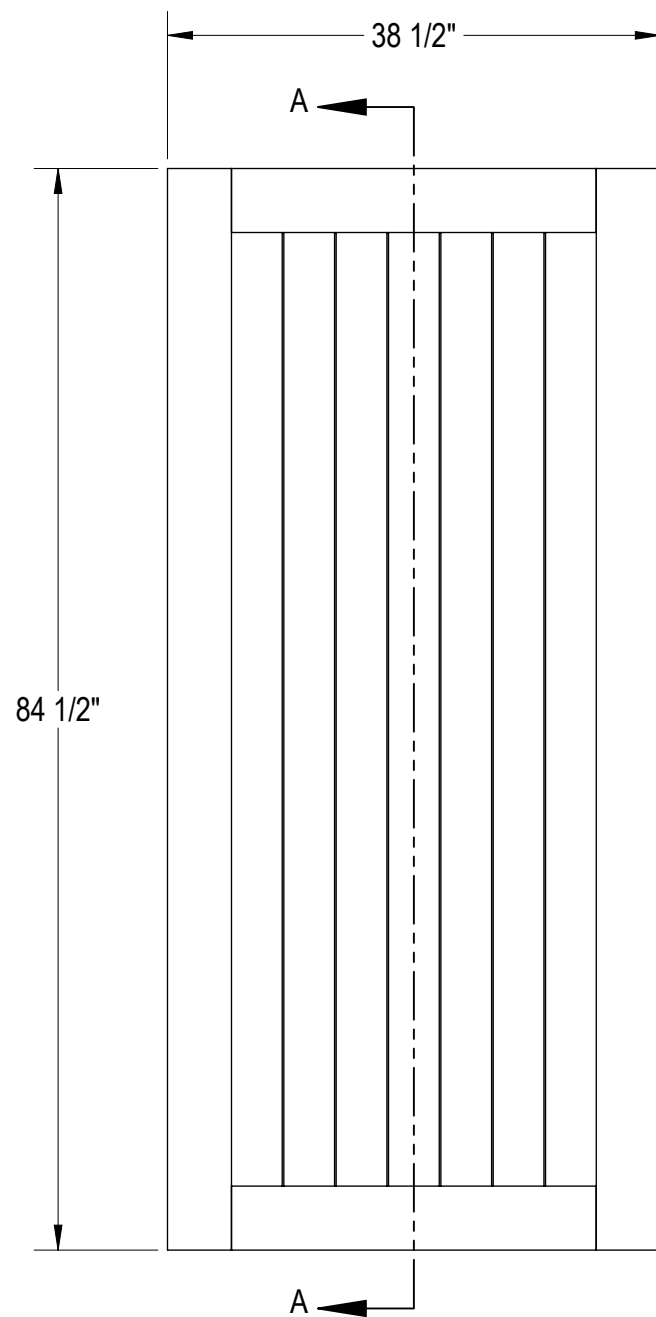
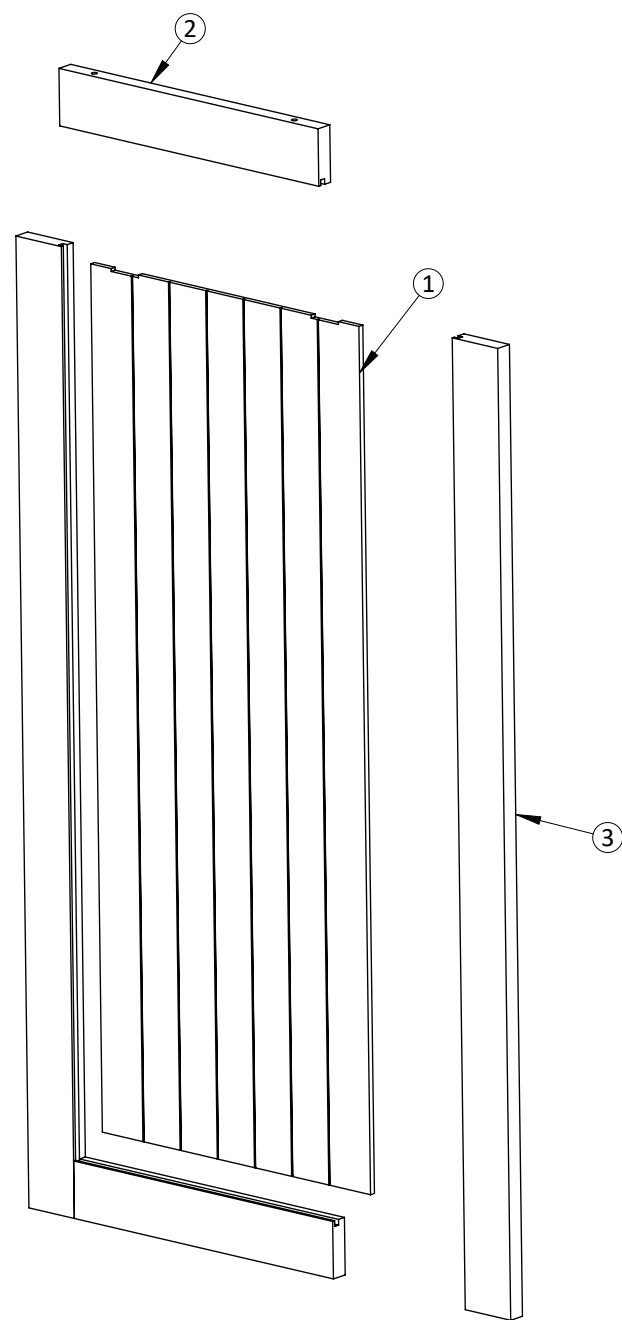
SHT. NO:

Part	Description	Qty	Material
1	CENTER PANEL	1	MDF
2	TOP & BOTTOM RAIL	1	2X6
3	SIDE RAIL	2	2X6

*QUANTITIES ARE TO MAKE ONE DOOR



www.woodshopmike.com
mike@woodshopmike.com



SECTION A-A

PROJECT NAME:
DRAWING NAME: BARN DOOR OVERALL DIMENSIONS

REV	DATE	BY	DESCRIPTION

Woodshop Mike, LLC and it's affiliates are not responsible for any damages that may come to persons or properties involved during the creation or use of this project or plans. The use of these plans and construction of this projects is acknowledgement that you as the fabricator assume all liability for proper construction and safe use of the project through all stages.

DWN BY:

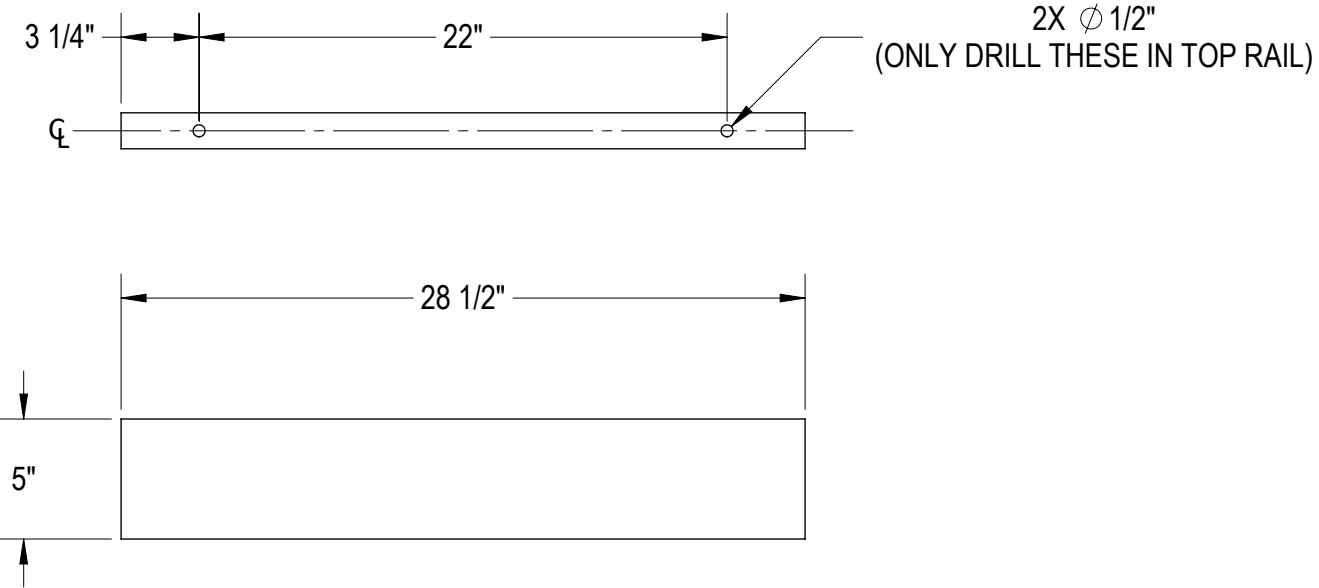
SCALE:

SHT. NO:

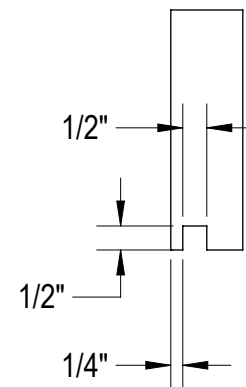
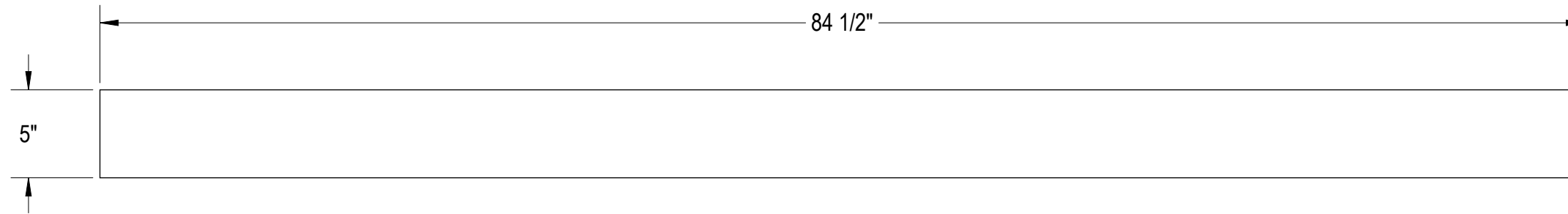
TOP & BOTTOM RAIL

DRILL 2 POCKET HOLES ON EACH END.
(HD POCKET HOLES ARE RECOMMENDED)

REFER TO PAGE 6 AND PLACE POCKET HOLES OUTSIDE
OF POCKETS MACHINED FOR BARN DOOR HARDWARE
(IF USING SAME HARDWARE AS DISPLAYED IN VIDEO)



SIDE RAIL



GROOVE CUT IN ALL FRAME PIECES



www.woodshopmike.com
mike@woodshopmike.com

PROJECT NAME:
DRAWING NAME: DOOR FRAME PARTS

REV	DATE	BY	DESCRIPTION

Woodshop Mike, LLC and it's affiliates are not responsible for any damages that may come to persons or properties involved during the creation or use of this project or plans. The use of these plans and construction of this projects is acknowledgement that you as the fabricator assume all liability for proper construction and safe use of the project through all stages.

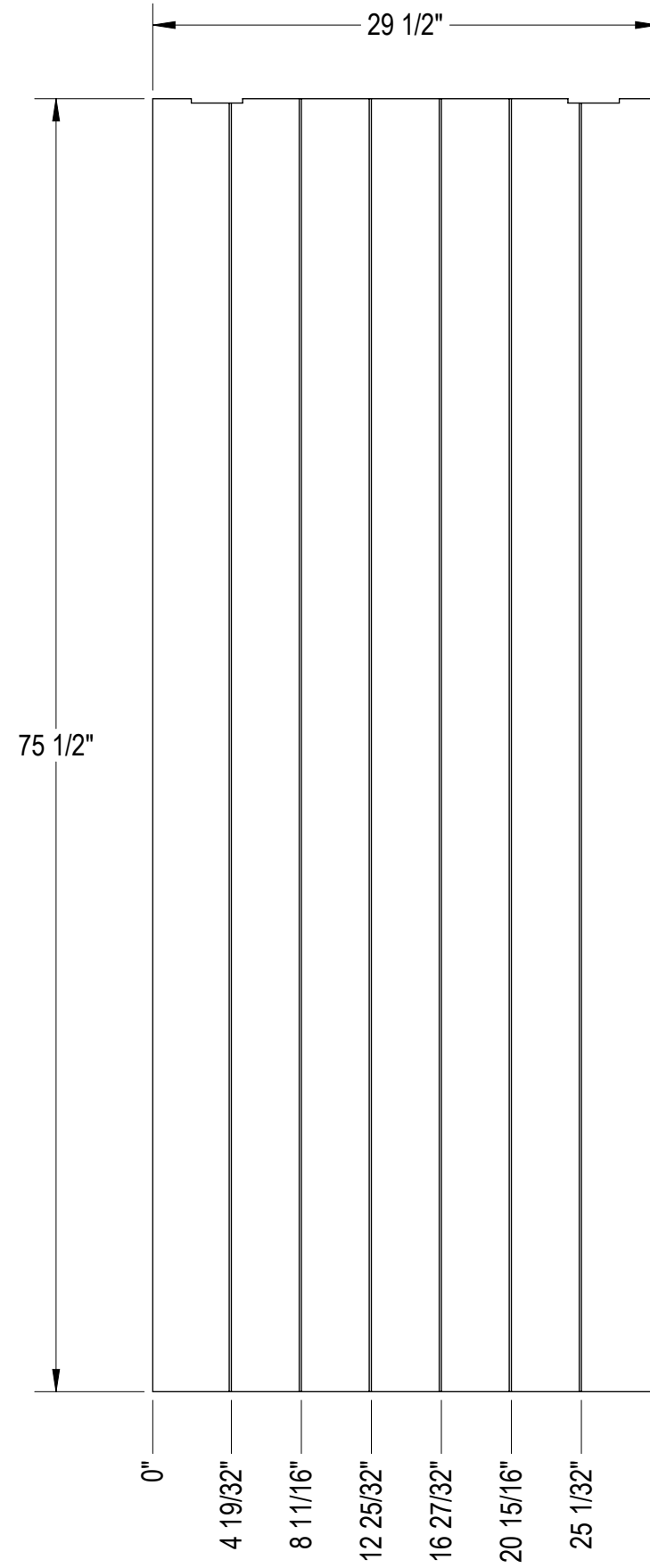
DWN BY:

SCALE:

SHT. NO:

4

GROOVES ARE CUT 1/8" DEEP WITH TRACK SAW.
A ROUTER CAN BE USED AS AN ALTERNATIVE.



www.woodshopmike.com
mike@woodshopmike.com

PROJECT NAME:

DRAWING NAME: CENTER PANEL

REV	DATE	BY	DESCRIPTION

Woodshop Mike, LLC and it's affiliates are not responsible for any damages that may come to persons or properties involved during the creation or use of this project or plans. The use of these plans and construction of this projects is acknowledgement that you as the fabricator assume all liability for proper construction and safe use of the project through all stages.

DWN BY:

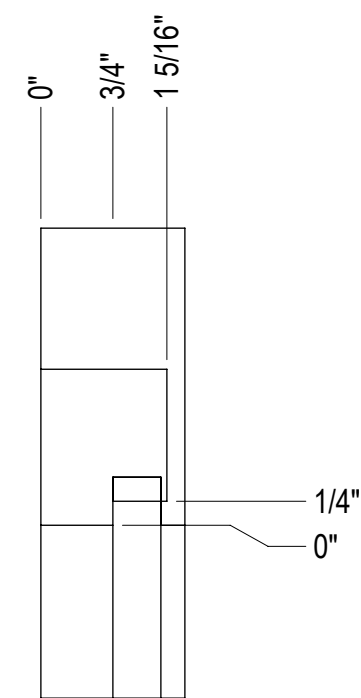
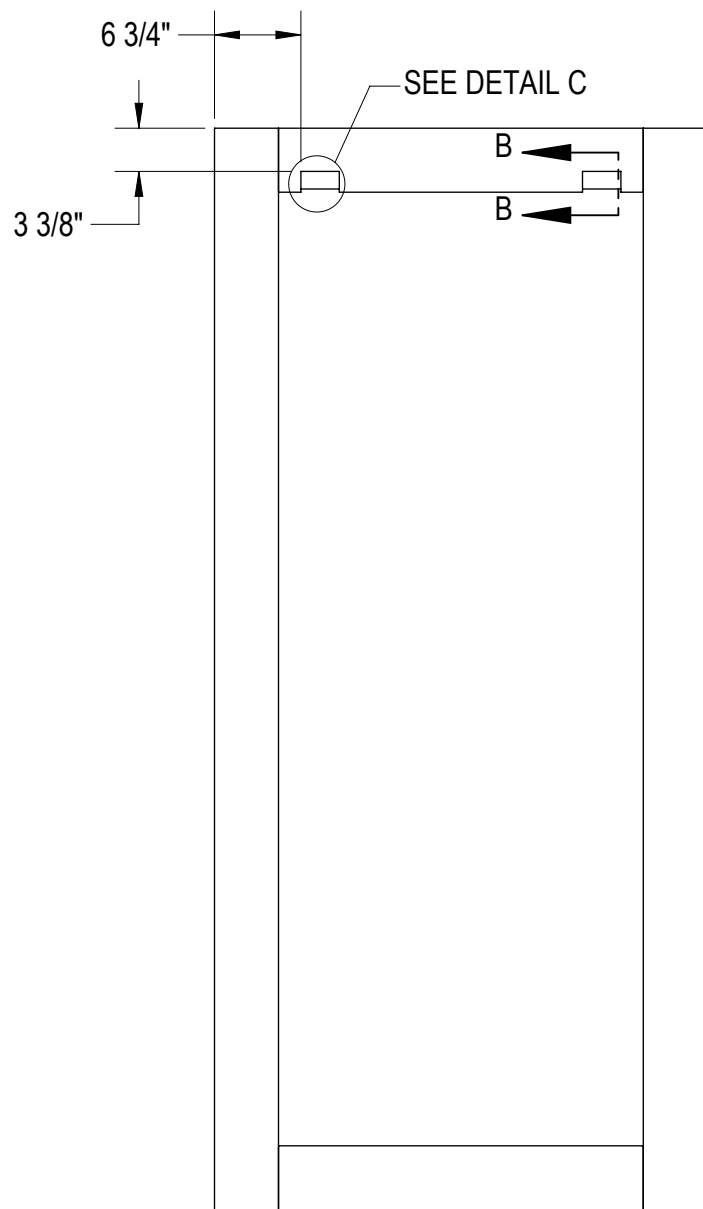
SCALE:

SHT. NO:

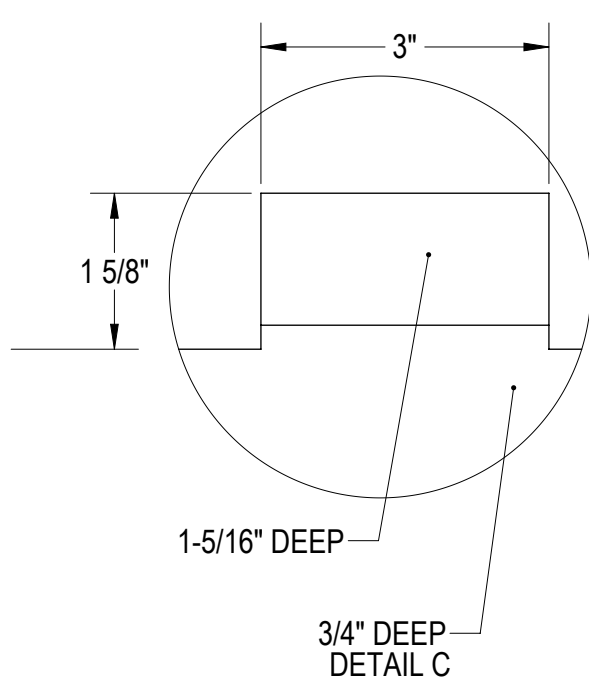
5



www.woodshopmike.com
mike@woodshopmike.com



SECTION B-B



PROJECT NAME:

DRAWING NAME: POCKET DETAIL FOR SLIDING DOOR HARDWARE

REV	DATE	BY	DESCRIPTION

Woodshop Mike, LLC and it's affiliates are not responsible for any damages that may come to persons or properties involved during the creation or use of this project or plans. The use of these plans and construction of this projects is acknowledgement that you as the fabricator assume all liability for proper construction and safe use of the project through all stages.

DWN BY:

SCALE:

SHT. NO: **6**

Reproduction of this document without the written authorization of Woodshop Mike, LLC is strictly prohibited Copyright 2020, Woodshop Mike, LLC