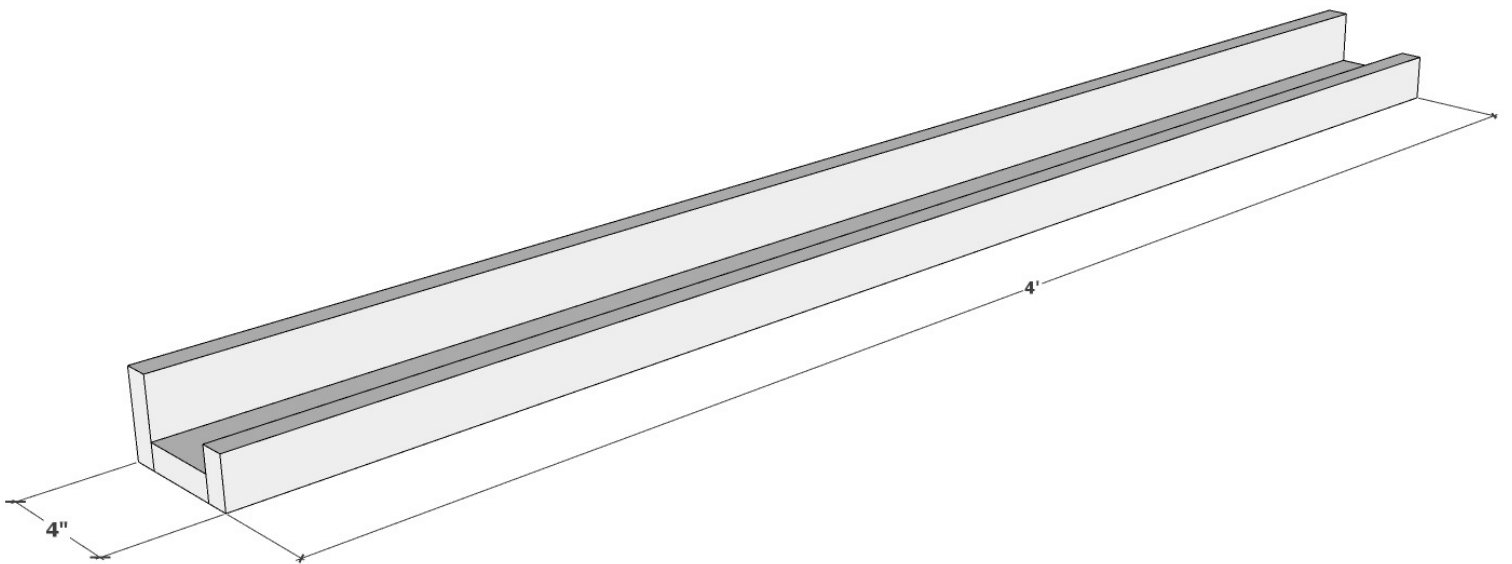


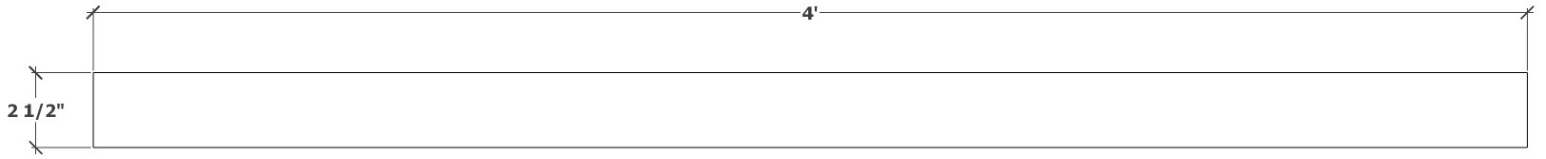
PICTURE LEDGE SHELF

Woodworking Plans

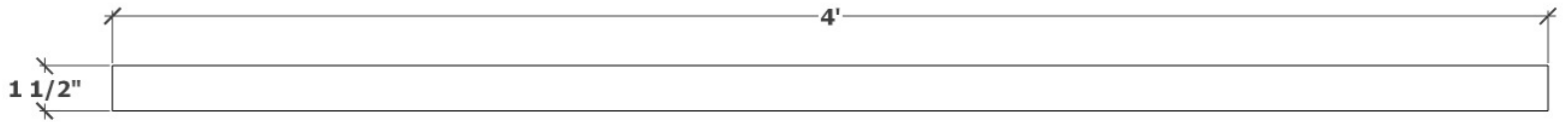
By: Making Manzanita



PICTURE LEDGE SHELF: VISUAL CUT LIST

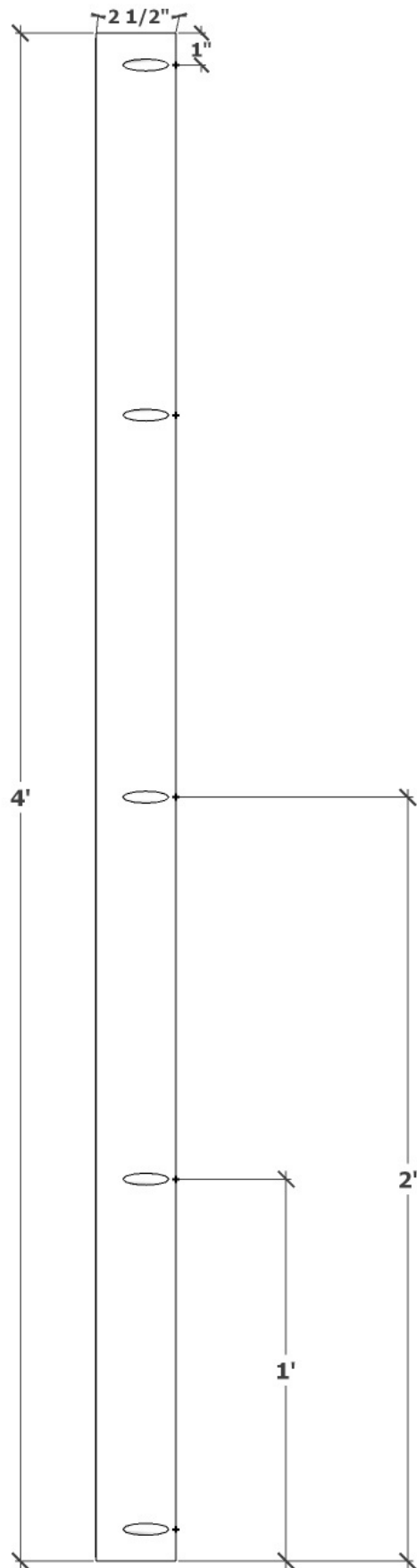


BACK AND BOTTOM PIECE - QTY 2

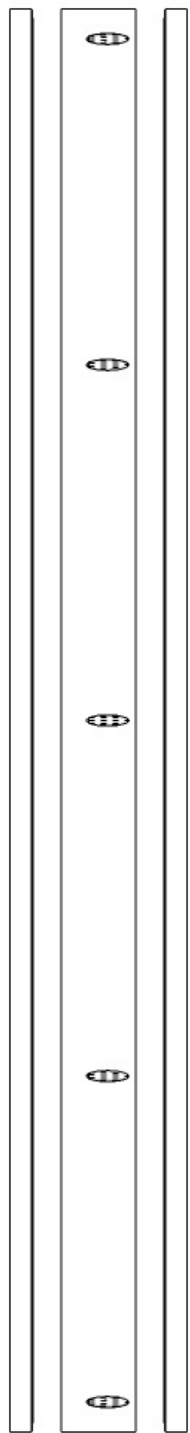


FRONT PIECE - QTY 1

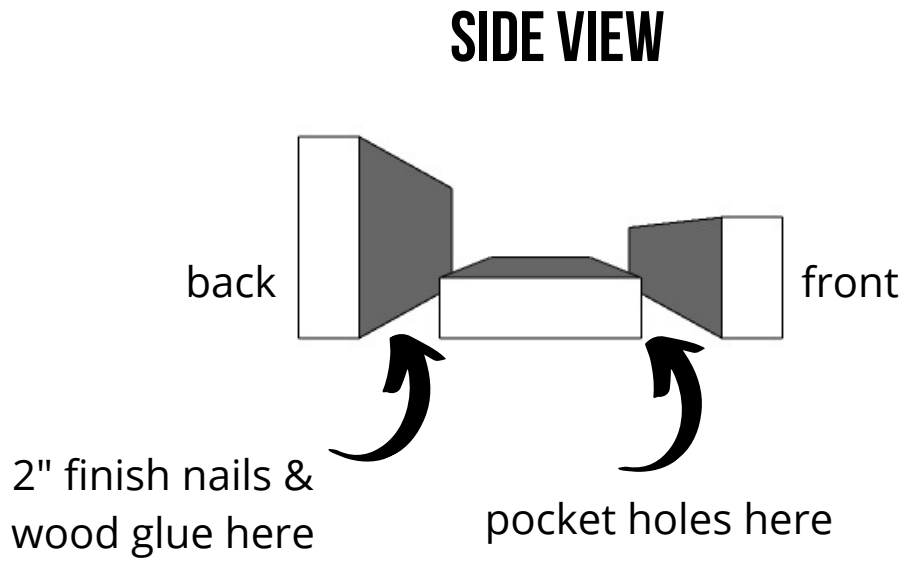
PICTURE LEDGE SHELF: POCKET HOLE PLACEMENT



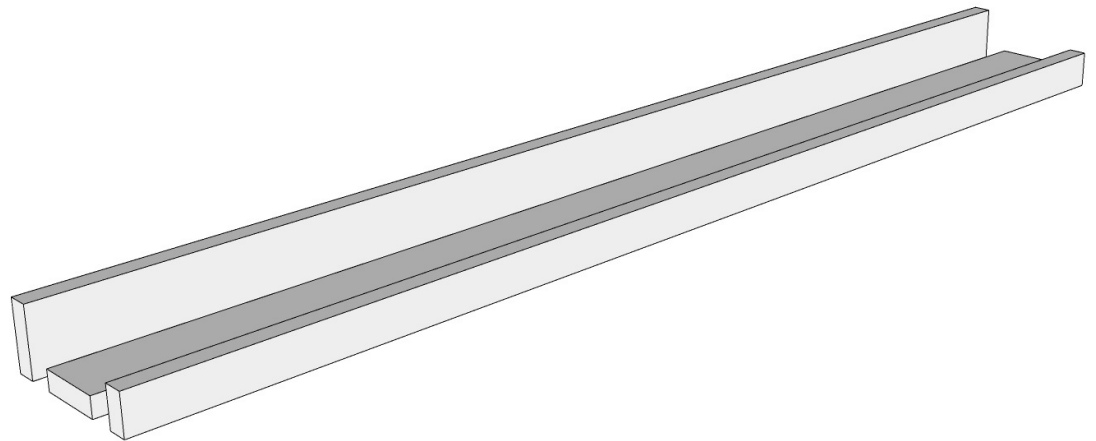
PICTURE LEDGE SHELF: ASSEMBLY



BOTTOM VIEW



SIDE VIEW



PICTURE LEDGE SHELF

