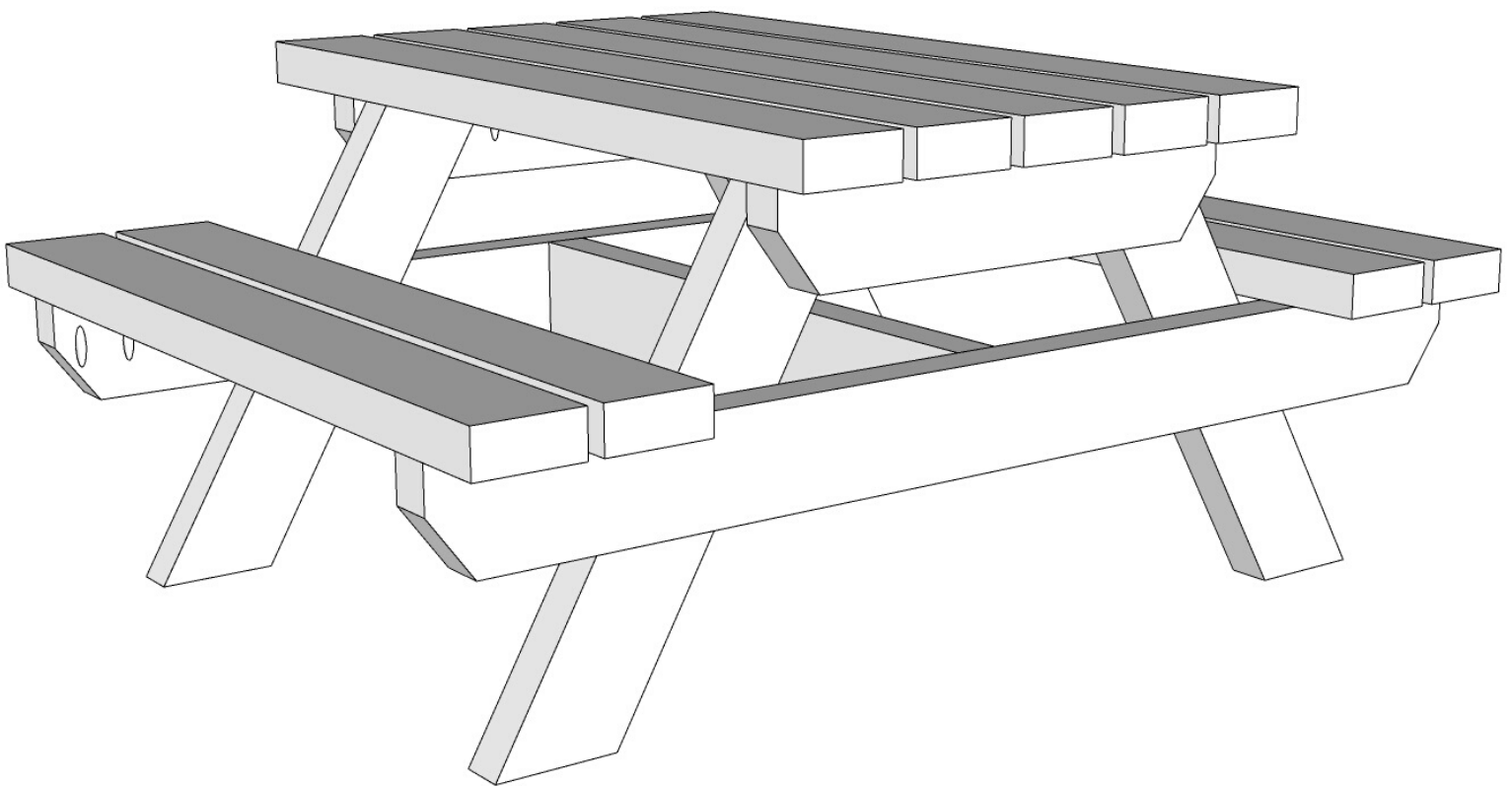


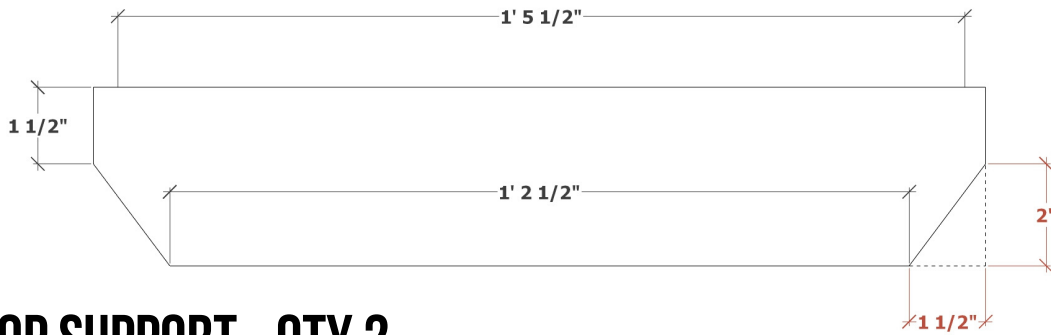
KIDS PICNIC TABLE

Woodworking Plans

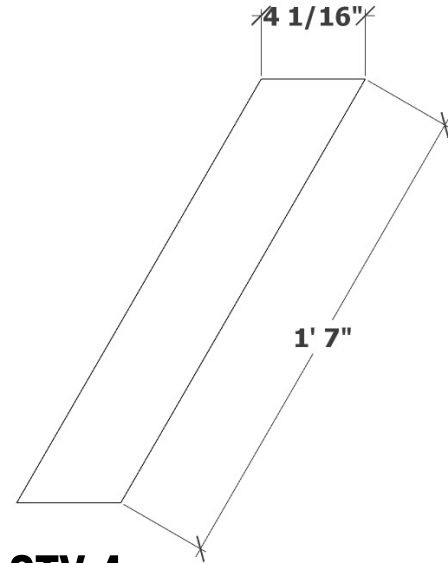
By: Making Manzanita



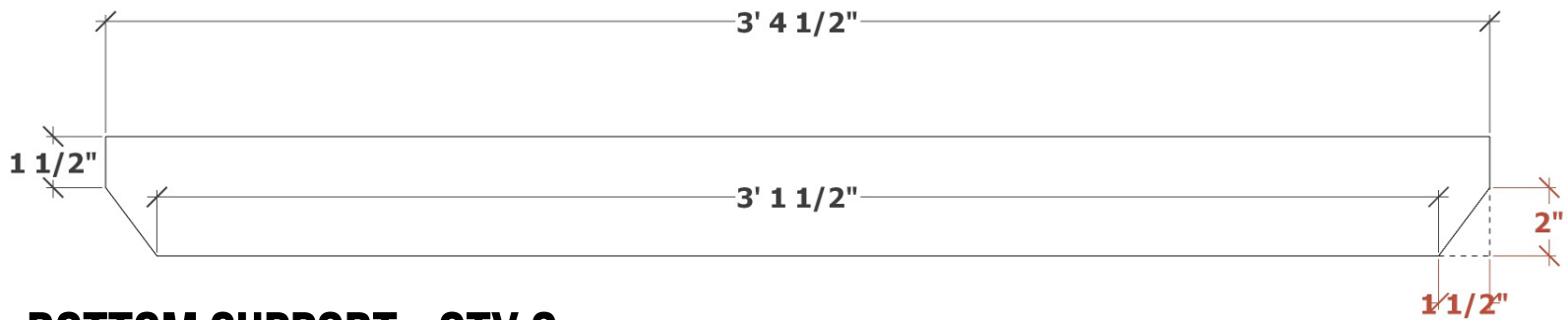
KIDS PICNIC TABLE: VISUAL CUT LIST



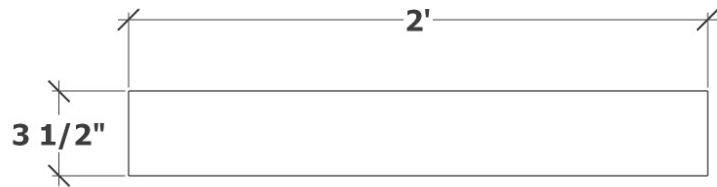
TOP SUPPORT - QTY 2



LEG - QTY 4



BOTTOM SUPPORT - QTY 2



MIDDLE SUPPORT - QTY 1

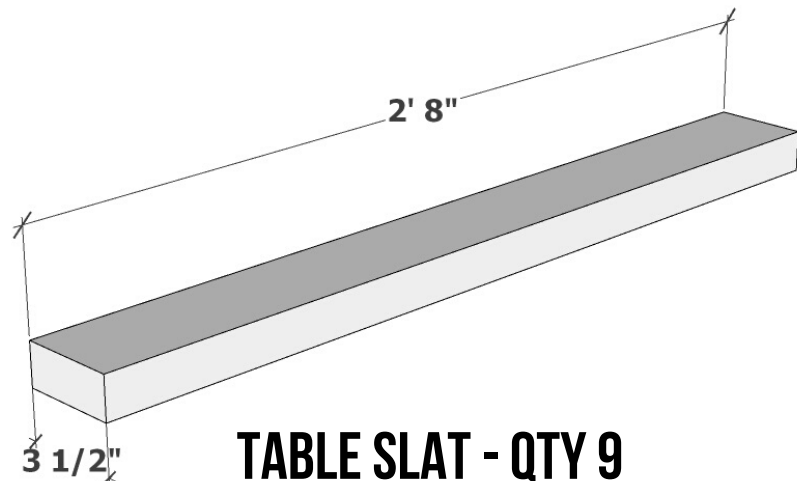
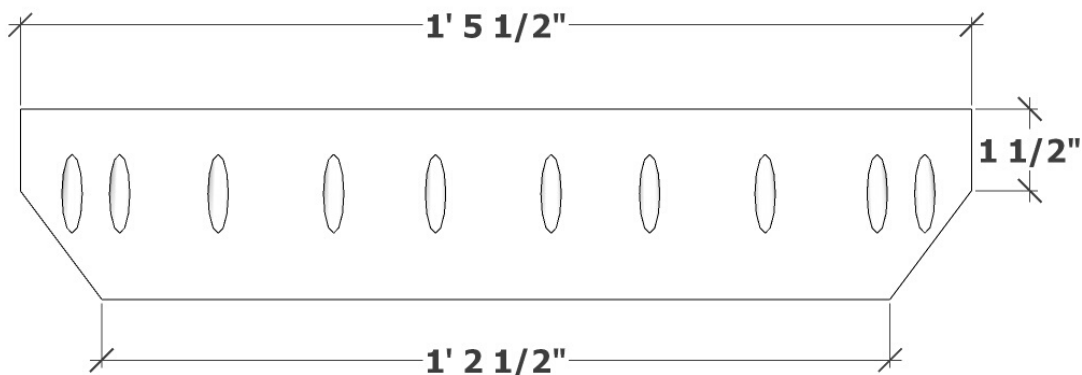


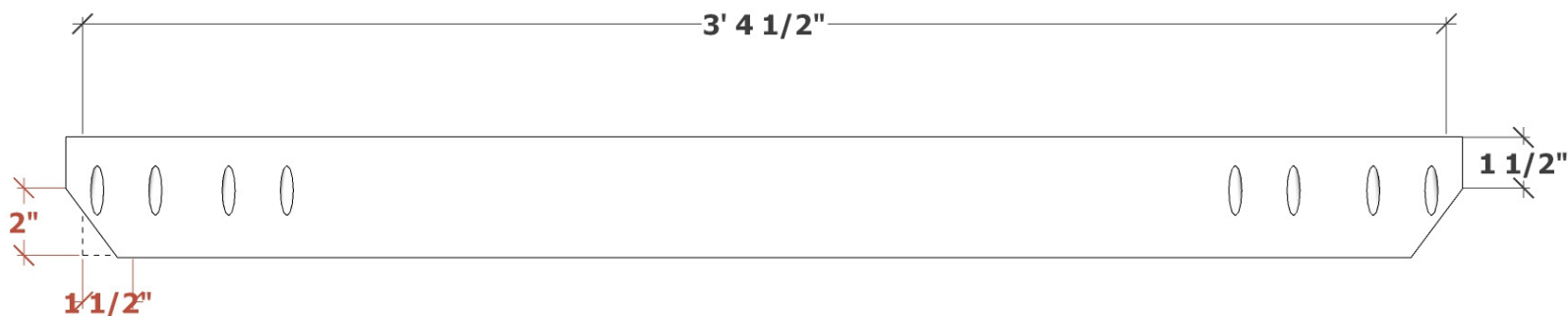
TABLE SLAT - QTY 9

KIDS PICNIC TABLE: POCKET HOLE PLACEMENT



TOP SUPPORT

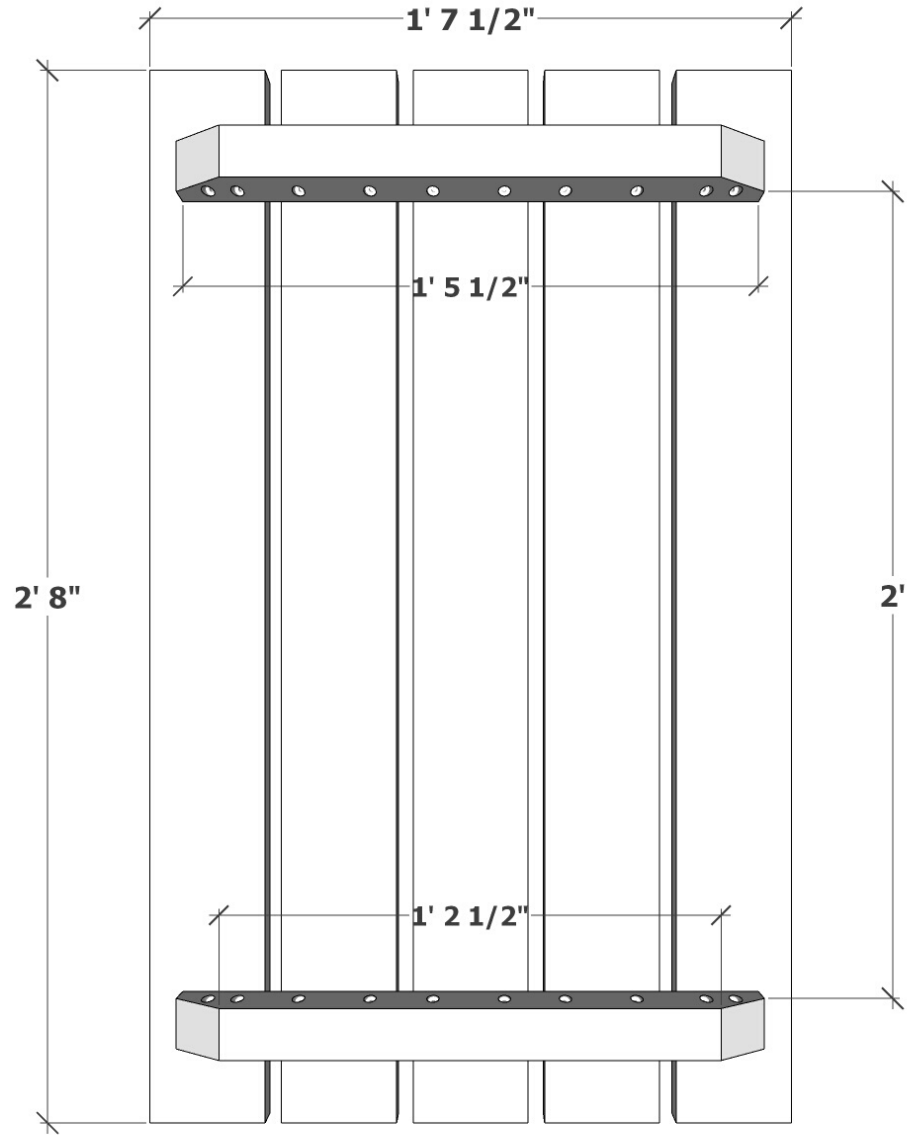
Lay out table slats on flat surface with 1/2" spaces in between. Place top support on top of table slats and mark pocket hole placement for 2 pocket holes per slat.



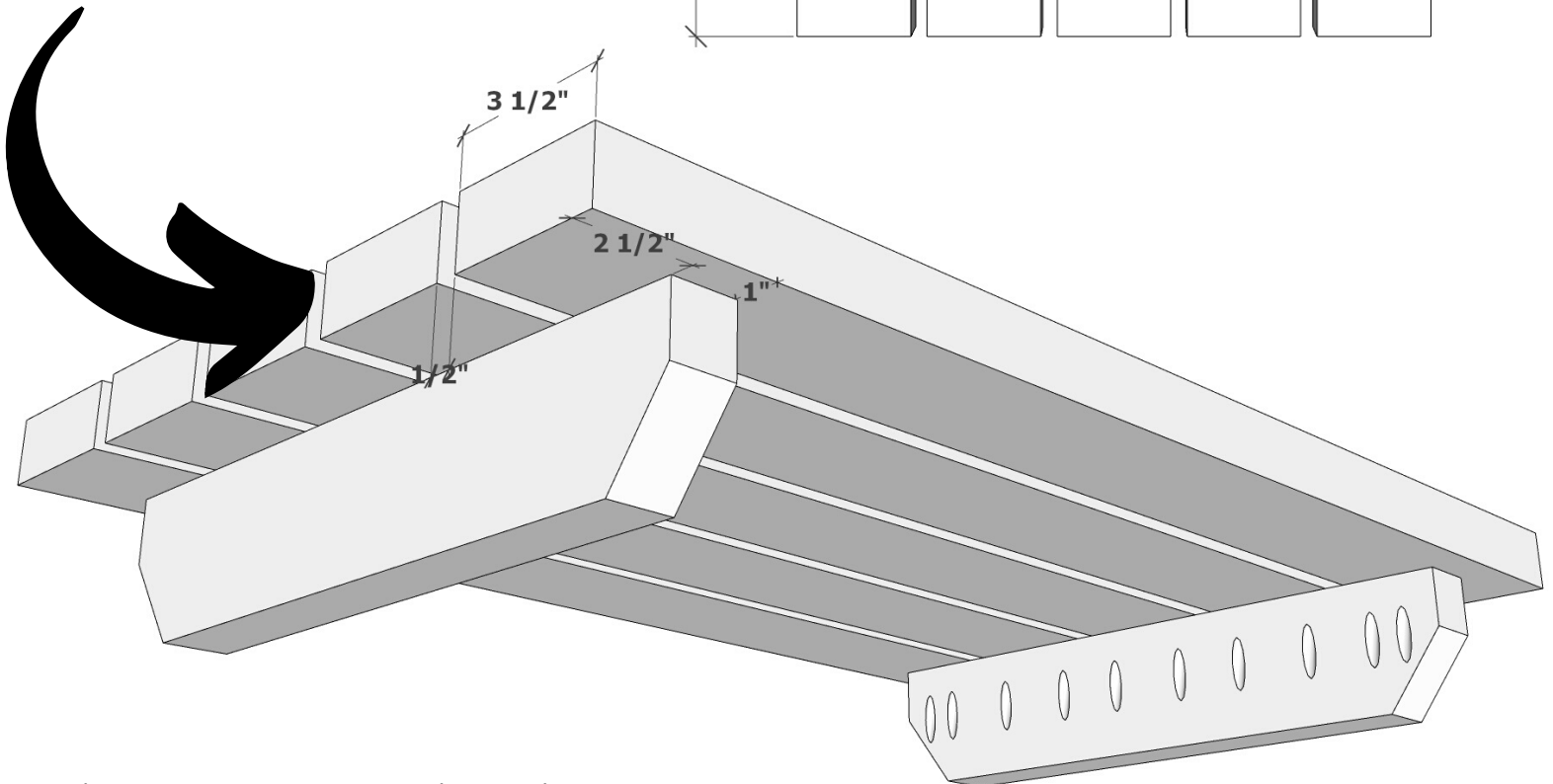
BOTTOM SUPPORT

For the bottom support, place two pocket holes on each end of the board. Then measure 4 inches in and make two more pocket holes.

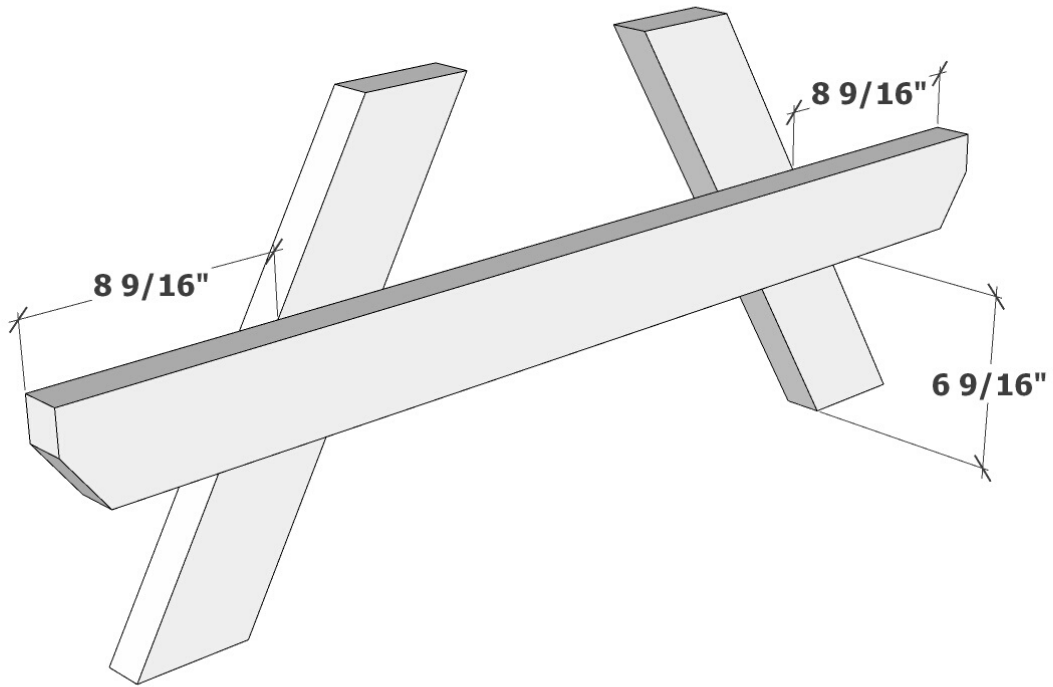
KIDS PICNIC TABLE: TOP ASSEMBLY



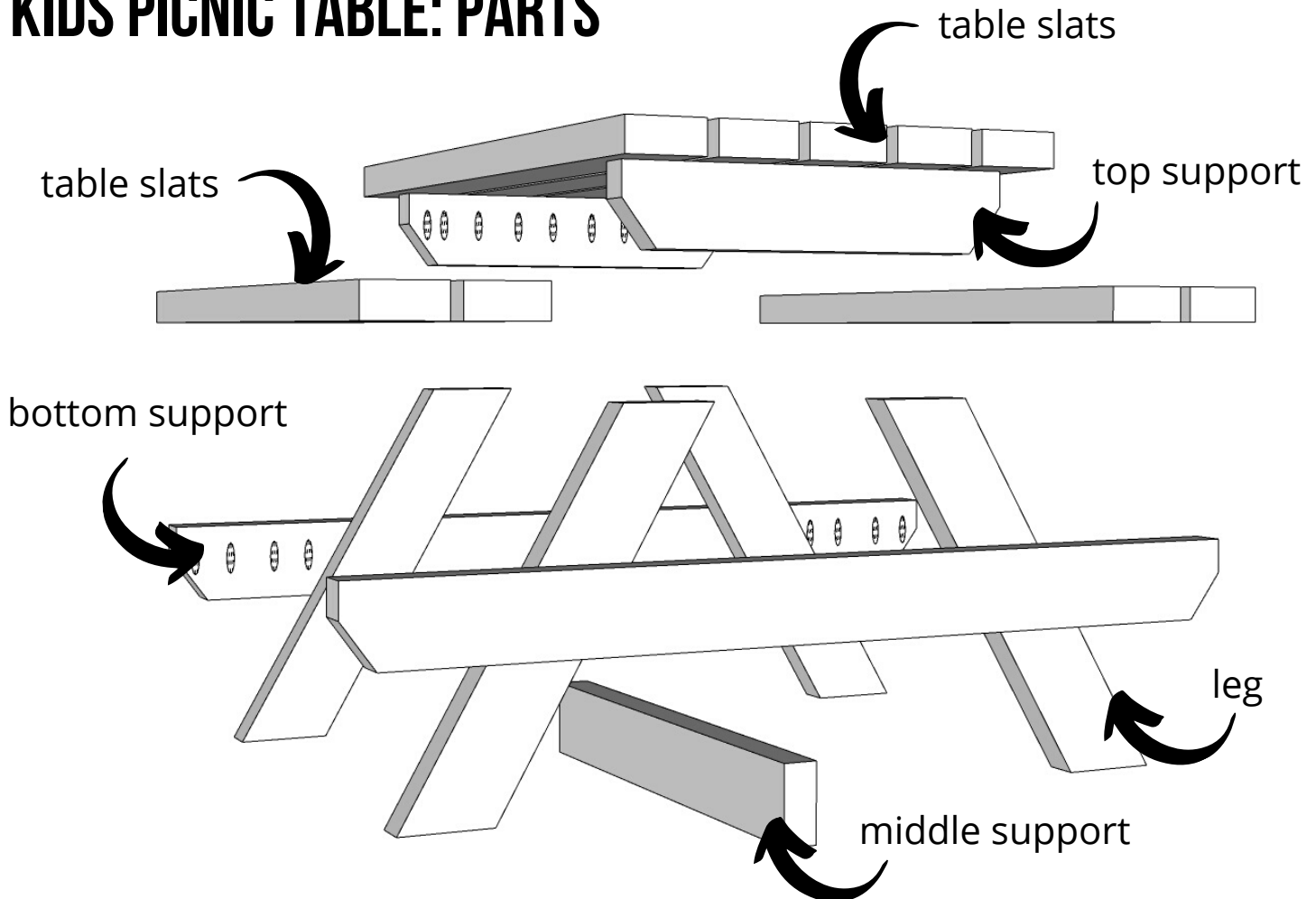
1/2" SPACING BETWEEN SLATS



KIDS PICNIC TABLE: LEG ASSEMBLY DETAIL



KIDS PICNIC TABLE: PARTS



KIDS PICNIC TABLE: OVERALL MEASUREMENTS

