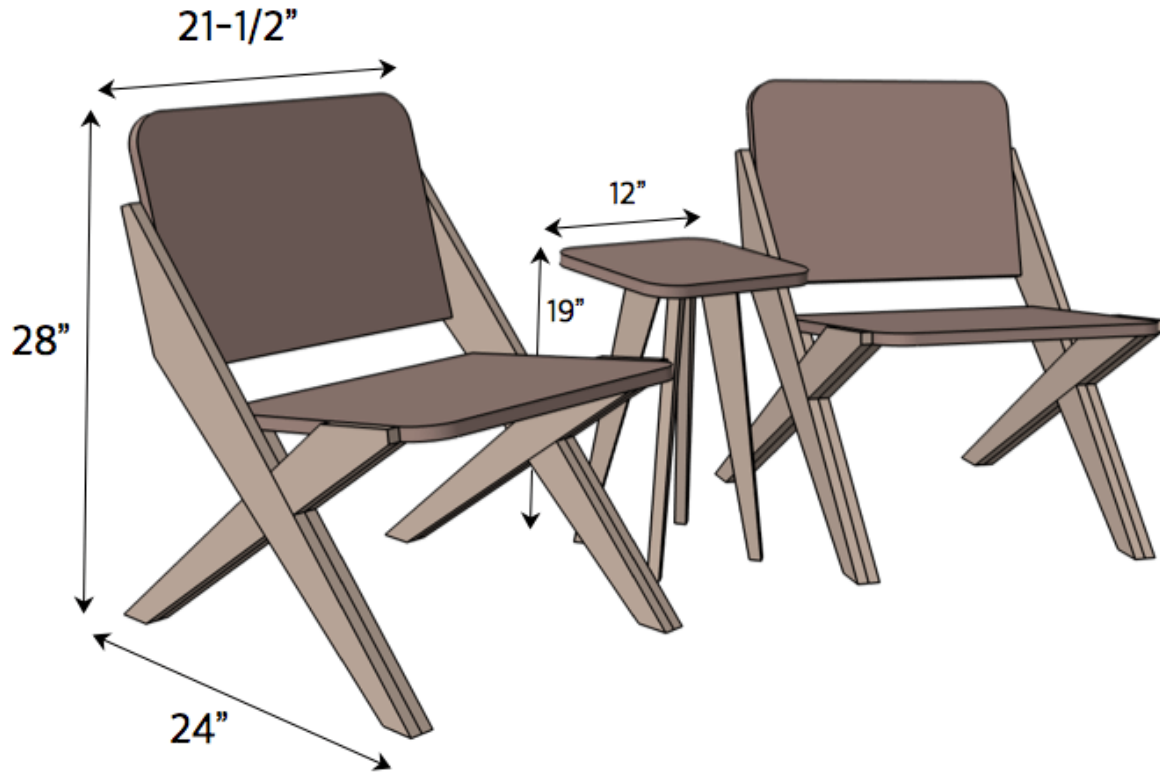


# PLYWOOD CHAIR SET

BUILD TIME = 1 WKND | EST. COST TO BUILD = \$50 | SKILL LEVEL = ADVANCED

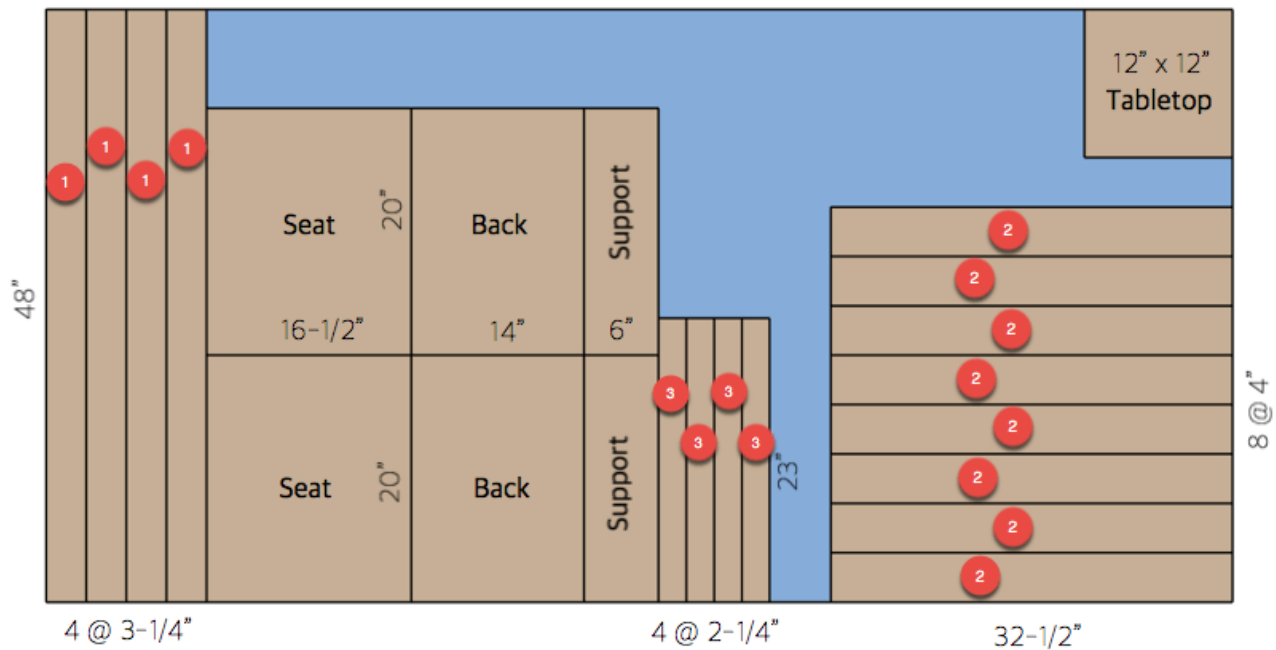


## REQUIRED TOOLS

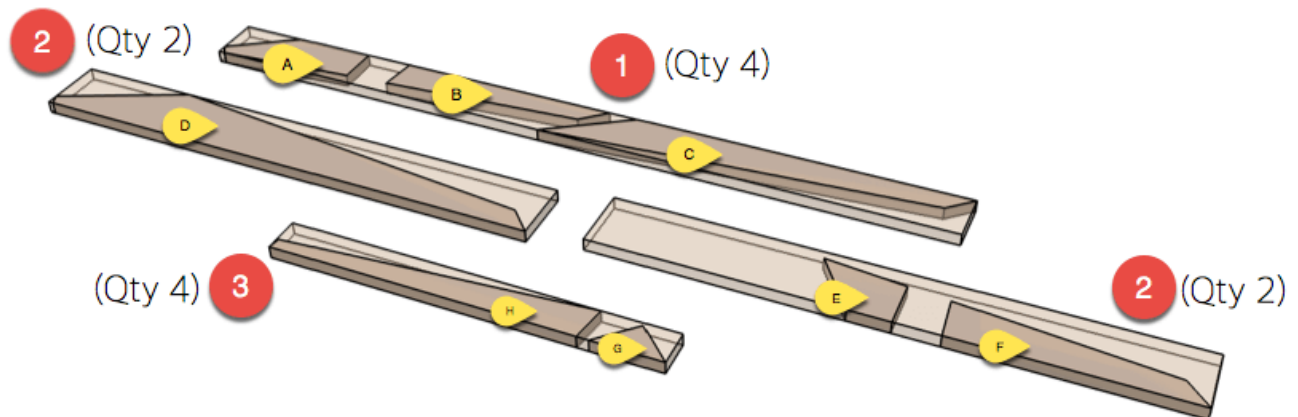
- Pocket Hole Jig
- Drill / Driver
- Circular Saw
- Brad Nailer (optional)
- Tape Measure
- Pencil
- Safety Glasses
- Hearing Protection

## MATERIALS

- Qty 1 - 3/4" x 4' x 8' Plywood
- 1-1/4" Brad Nails (optional)
- 1-1/4" Pocket Screws
- Wood Glue



# Step 1: Cut Out Detail Parts

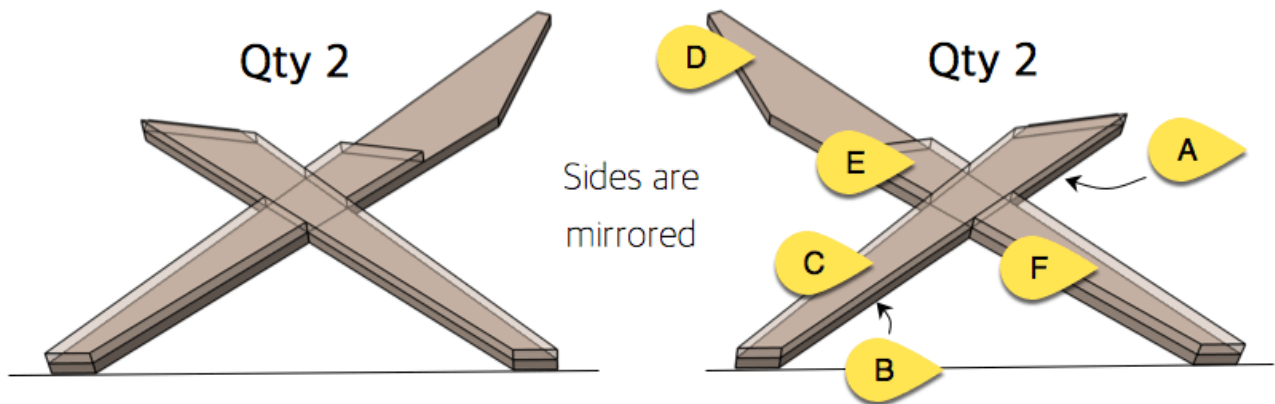


Adhere the supplied templates to boards 1 thru 4.  
Then, using a circular saw, cut out parts A thru G as shown.

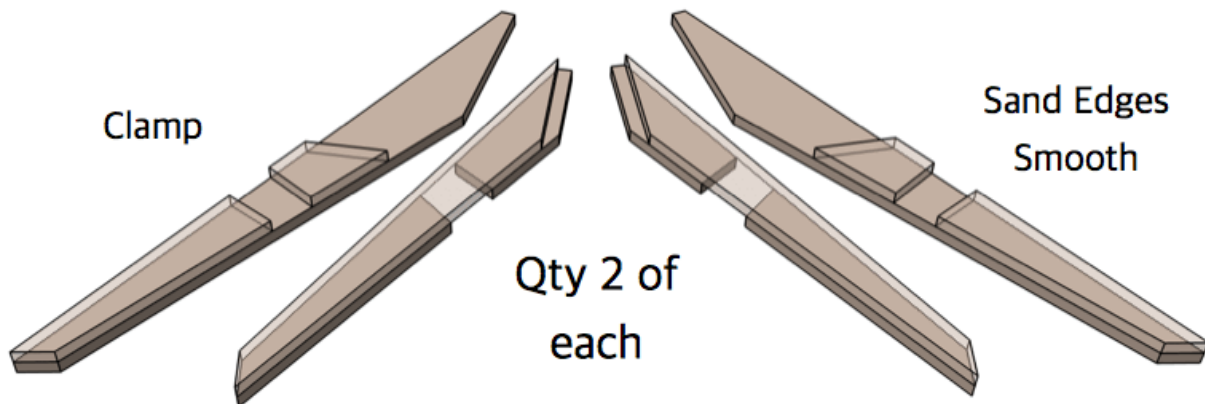


## Step 2: Assemble Legs

Start by aligning all the parts as shown. Use a straight edge to make sure the bottom of the feet are on the same plane. Try to get the half lap joint as tight as possible. **No gluing yet!**



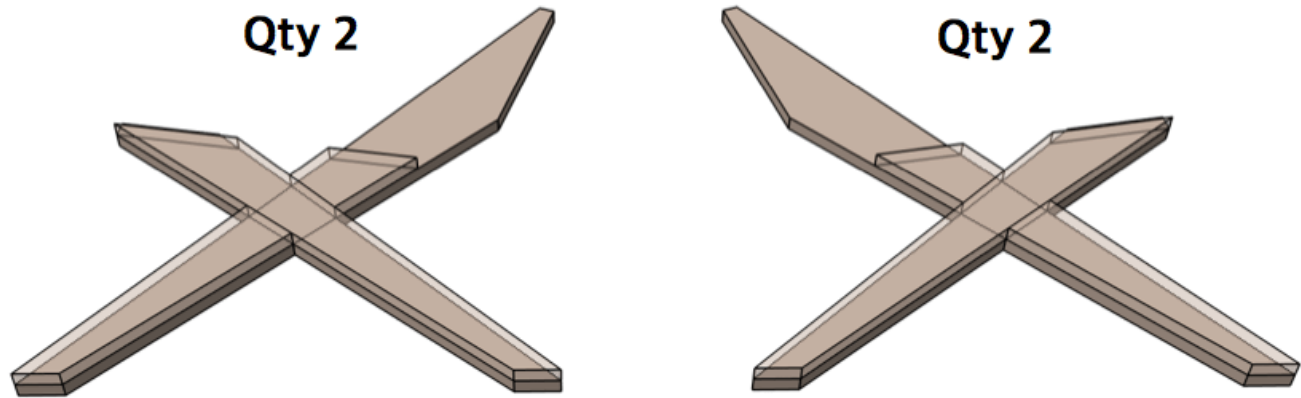
Once you feel comfortable with the alignment then take off parts E, F and C, **apply wood glue to parts A and B and the back of E and F** and set back in place. **Do not apply glue to lap joint!** Once again, check alignment of the bottom of the feet and keeping the lap joint and tight as possible. If using a traditional wood glue then you may opt to secure each leg together with 1-1/4" brad nails. If using RapidFuse, this step can be skipped, just wait a few mins to set up completely.



Now remove each leg from the joint and clamp up until wood glue has fully cured. Then sand all edges smooth.



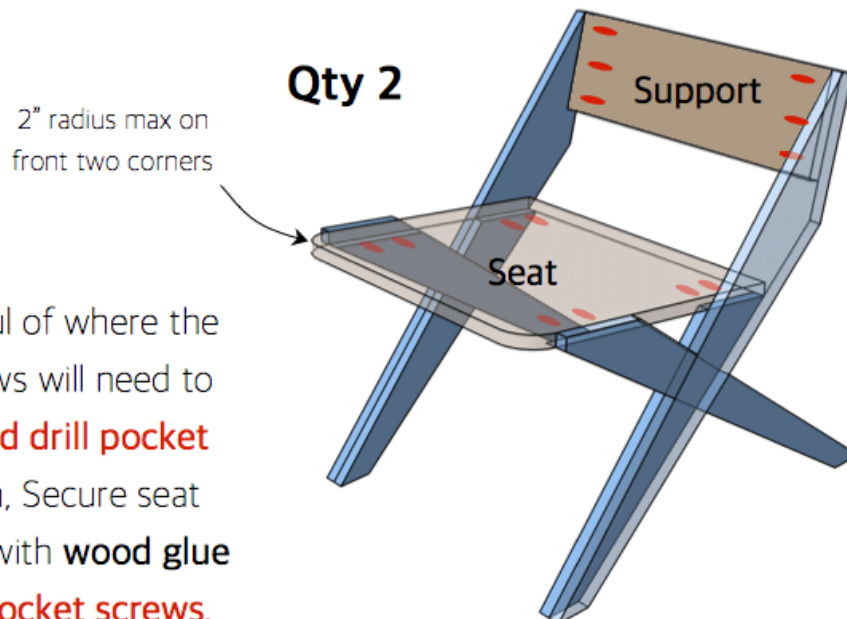
## Step 3: Assemble Sides



Apply **wood glue** to the lap joints and clamp until wood glue has fully cured. Optional to also use 1-1/4" barn nails at joint.



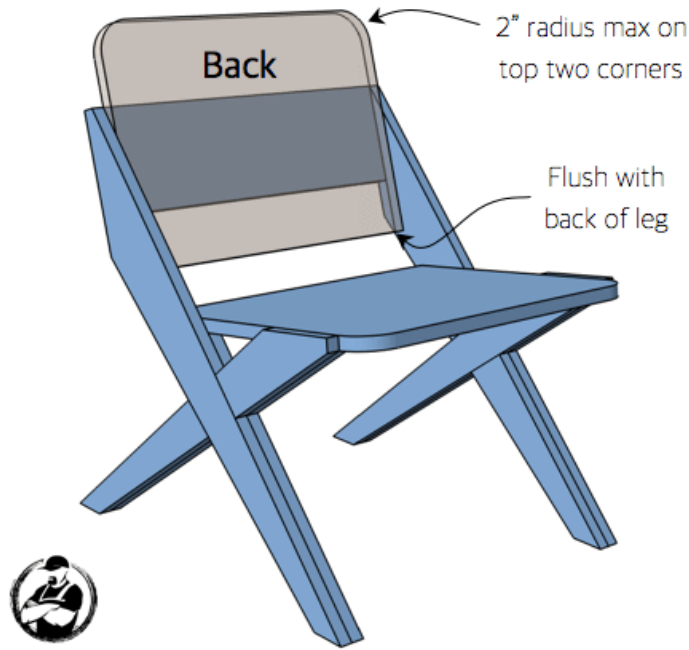
## Step 4: Seat and Support



Being mindful of where the pocket screws will need to go, **mark and drill pocket holes**. Then, Secure seat and support with **wood glue** and 1-1/4" **pocket screws**.



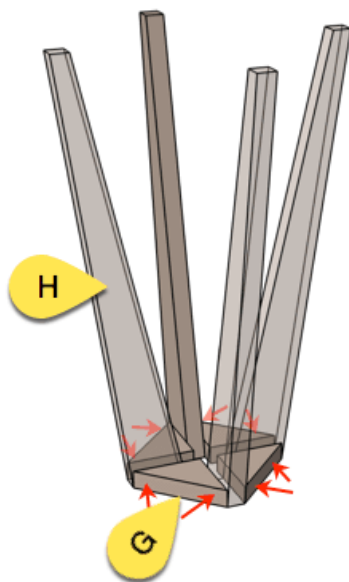
# Step 5: Install Back



Secure the back to the support with **wood glue**. It is optional to add 1-1/4" brad nails through the support and into the back.

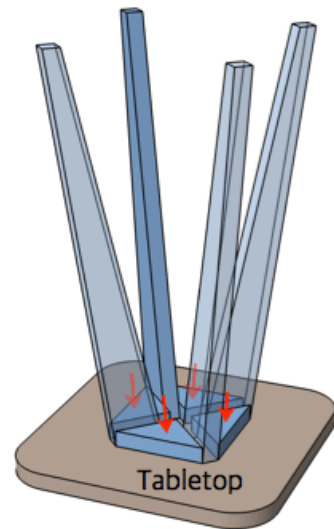
**Note:** I ended up sliding my back in from the top so I didn't scar up the inside of the sides and it worked pretty well. I got it a couple inches from where I wanted it, pulled it away from the support, squirted some wood glue in between the back and support and finished setting it in place. Then clamping with face clamps until the glue cured.

# Step 6: Side Table Assembly

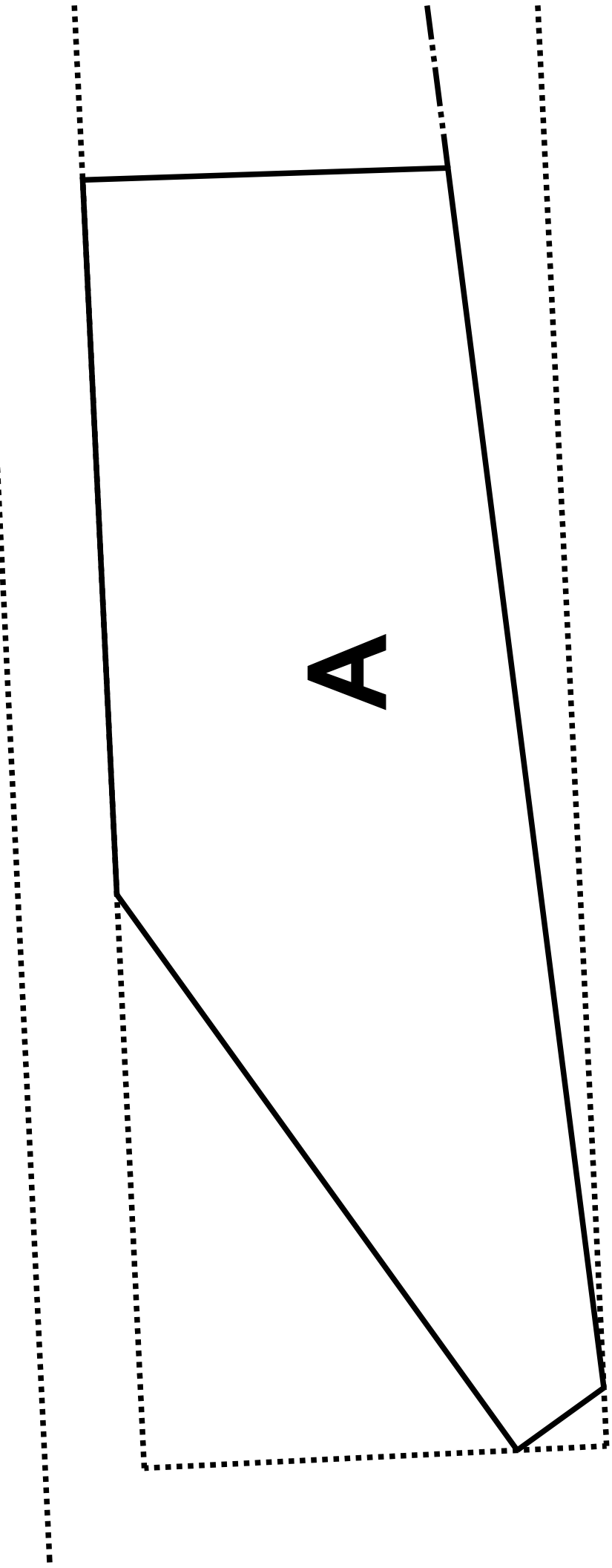
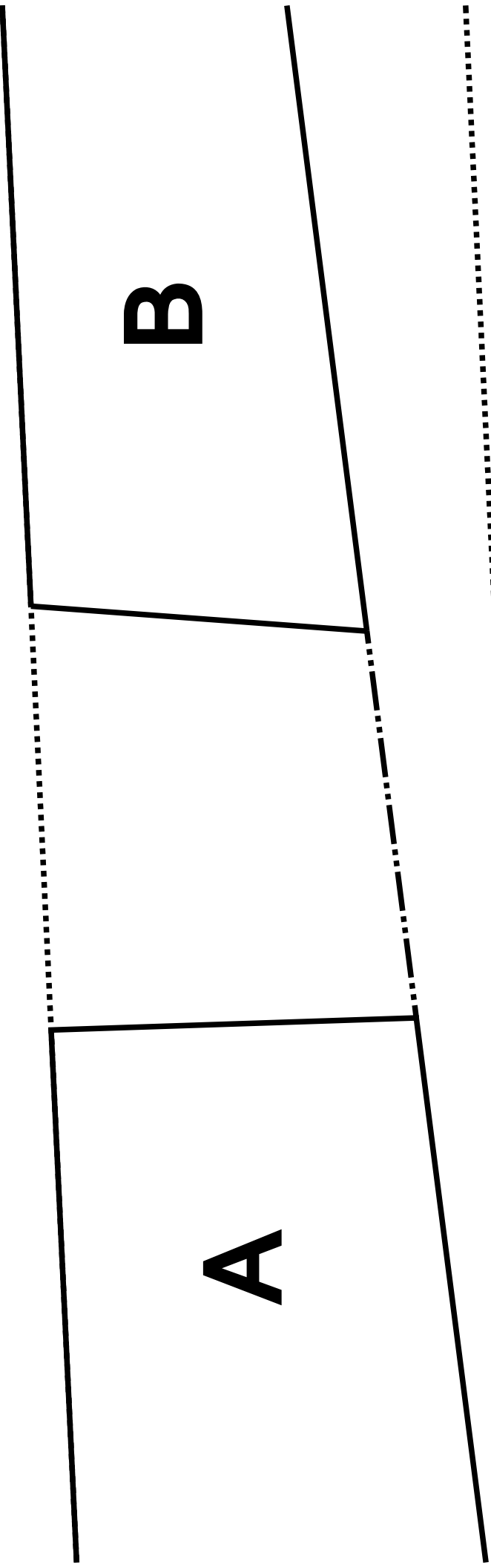


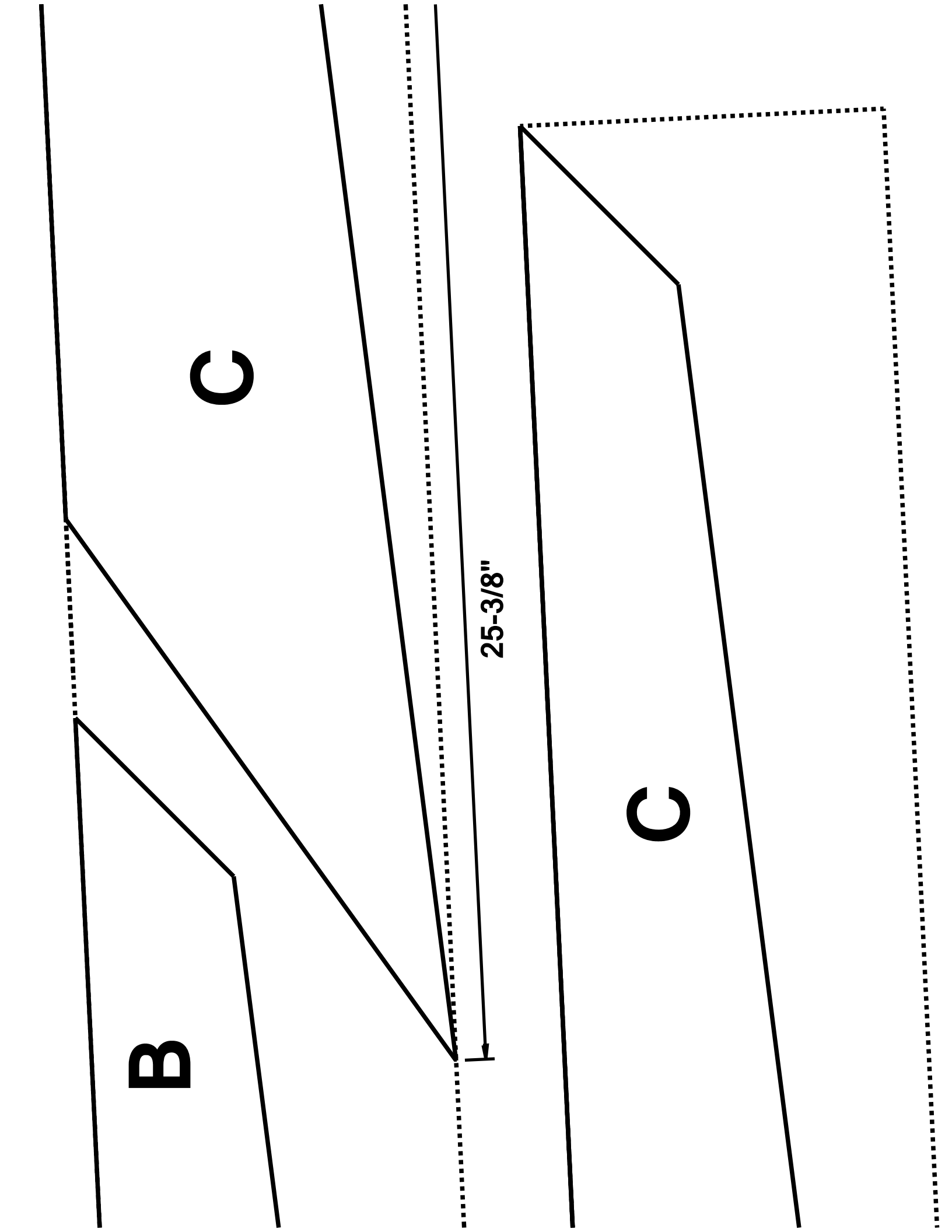
Assemble table base with **wood glue** and **1-1/4" brad nails**. Assure legs are level by flipping upright and aligning until there is no wobble. Let glue cure fully.

Then, center base and attach tabletop using **wood glue** and **1-1/4" brad nails**.



Add radius up to 2" to each corner



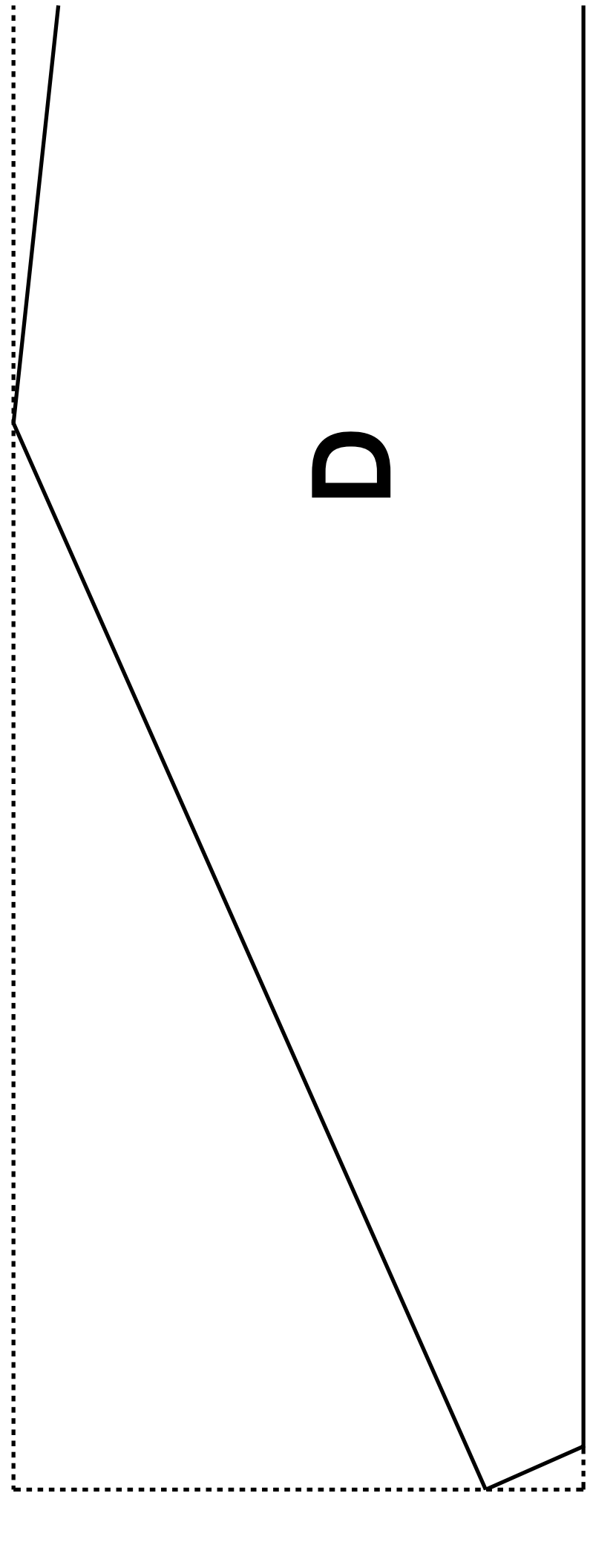
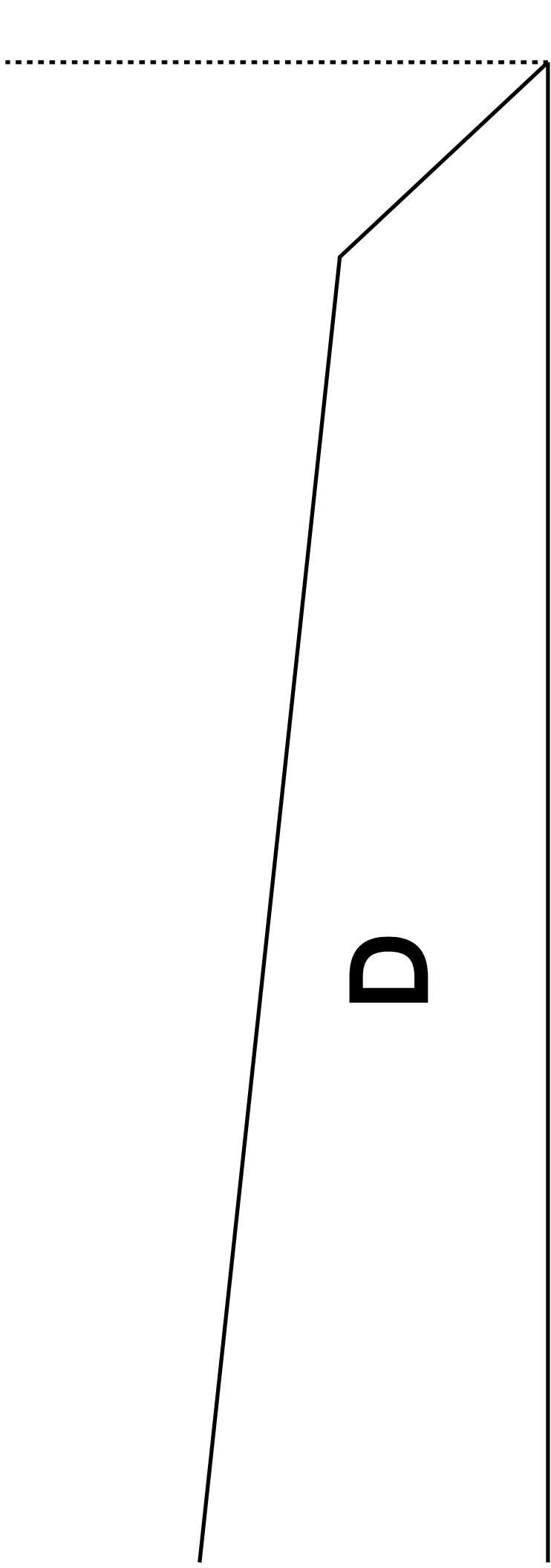


**B**

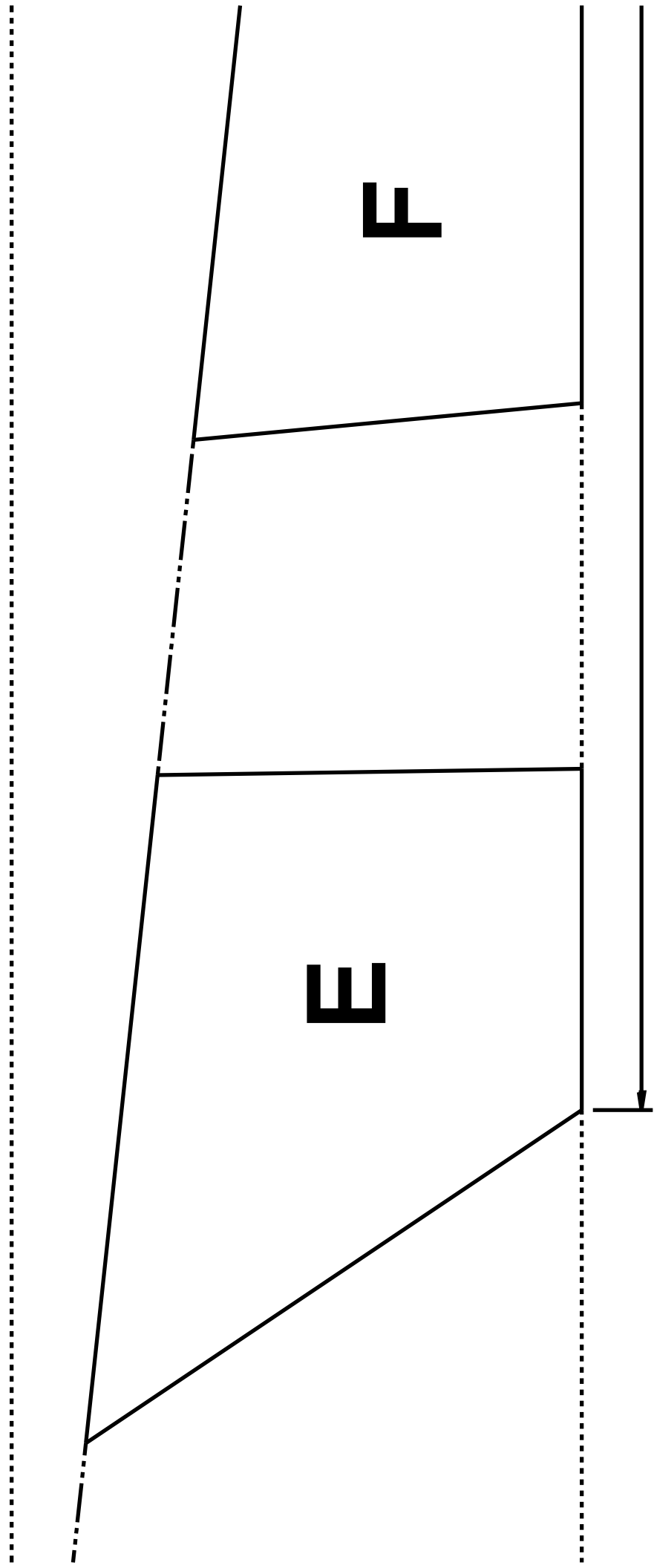
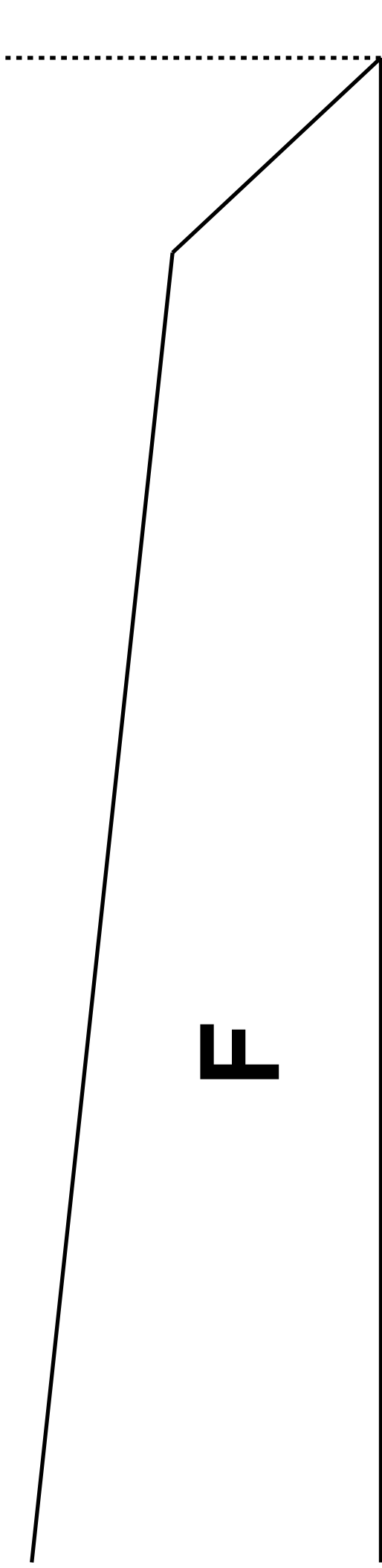
**C**

$25\frac{3}{8}$ "

**C**







$17-13/16$ "

