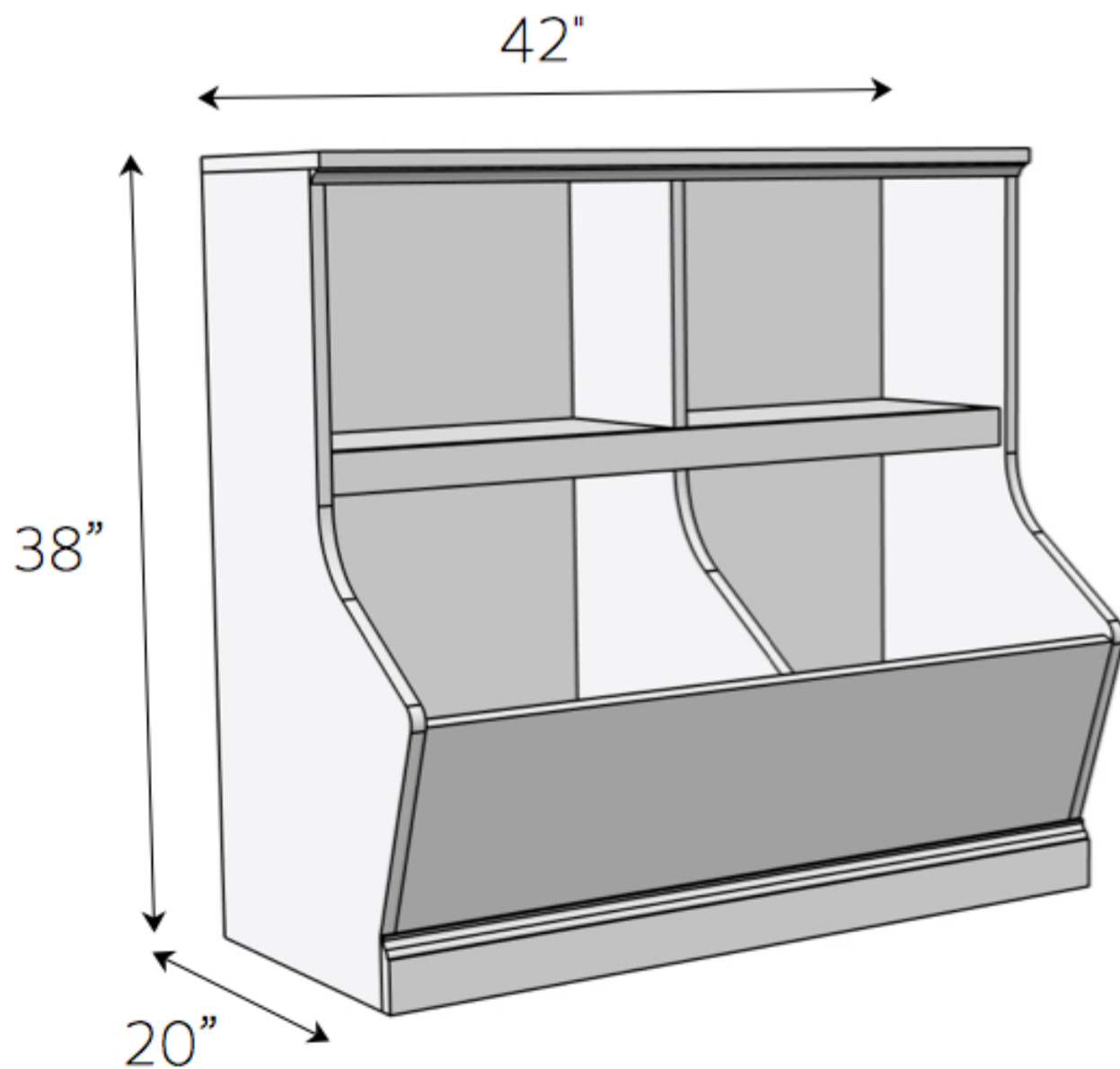
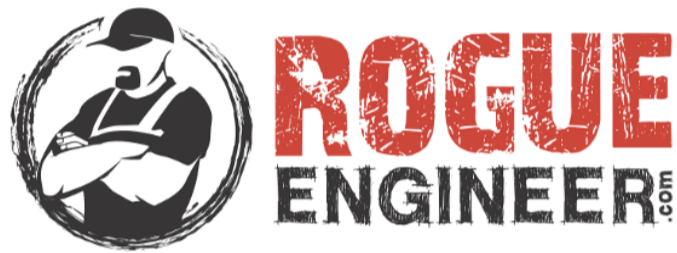
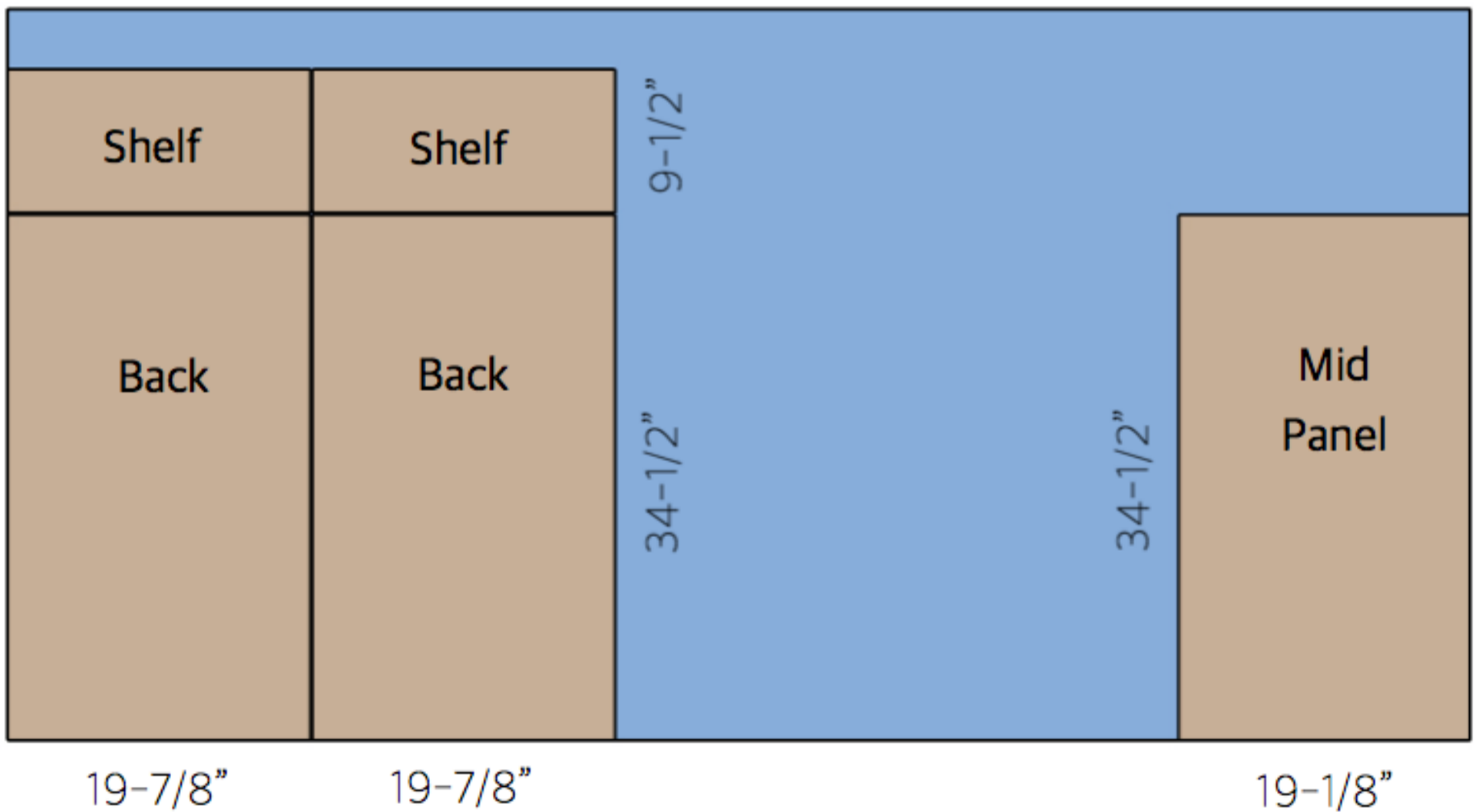
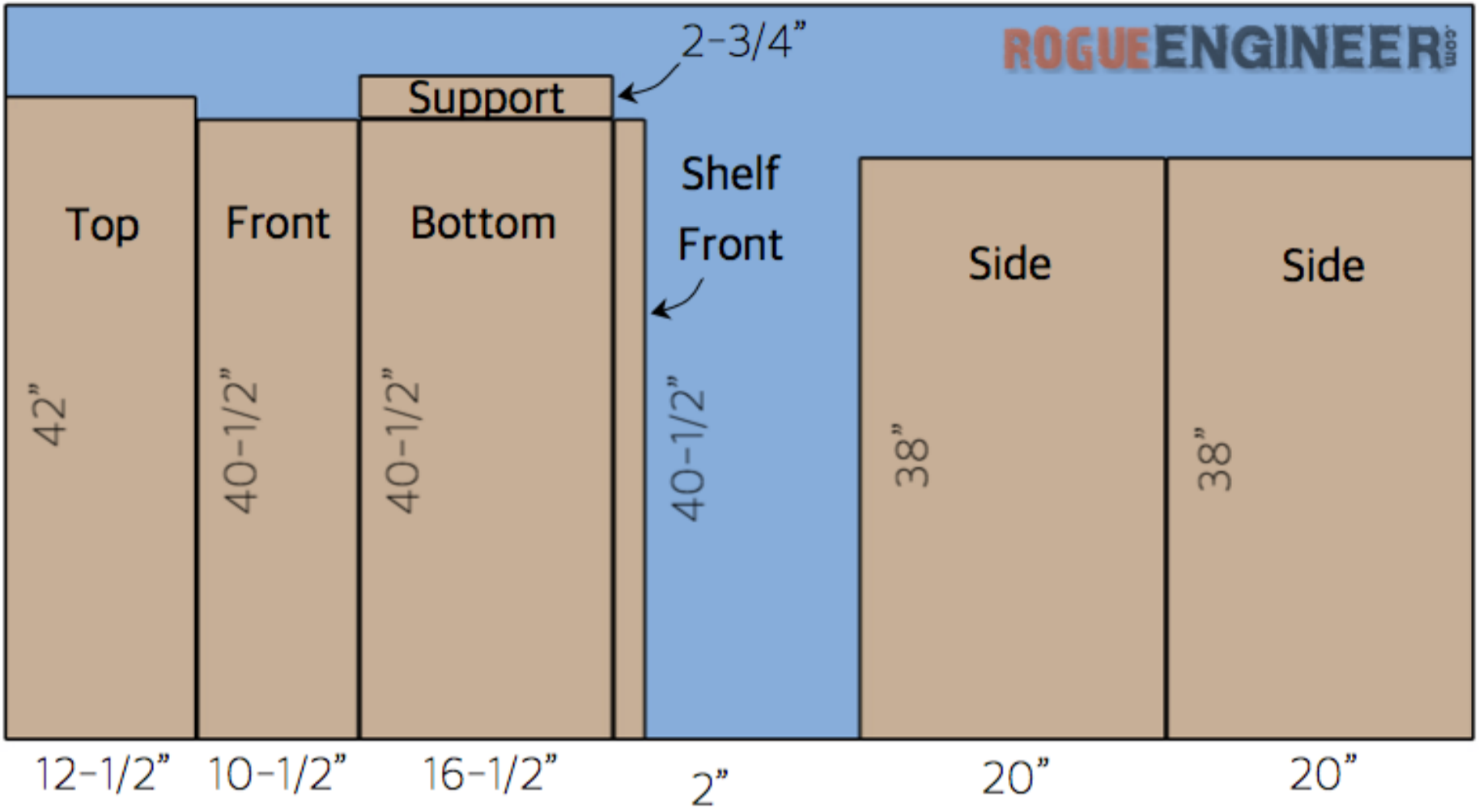


Bookcase with Toy Storage

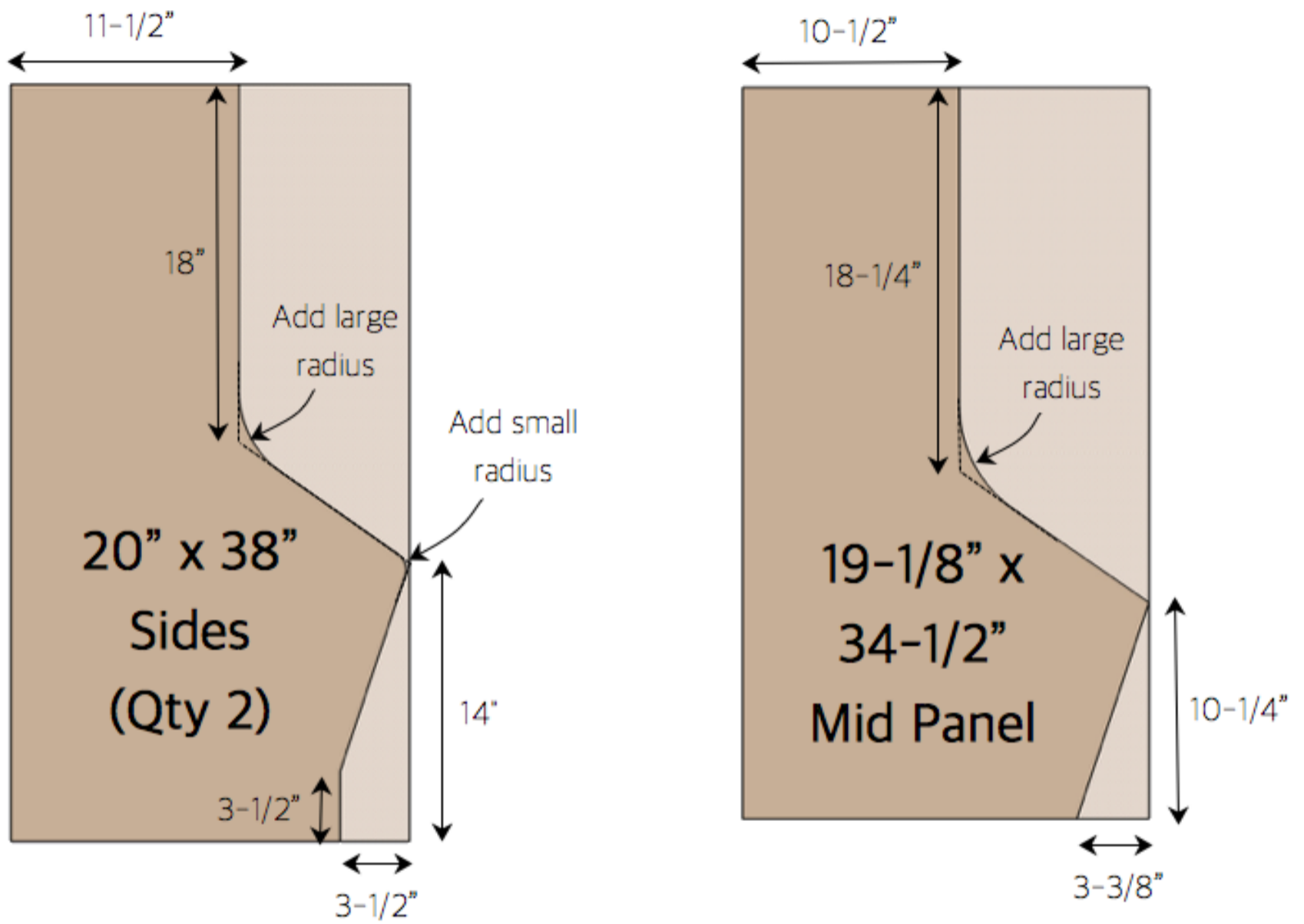
DIY Plans By:



3/4" x 48" x 96" (Qty 2)



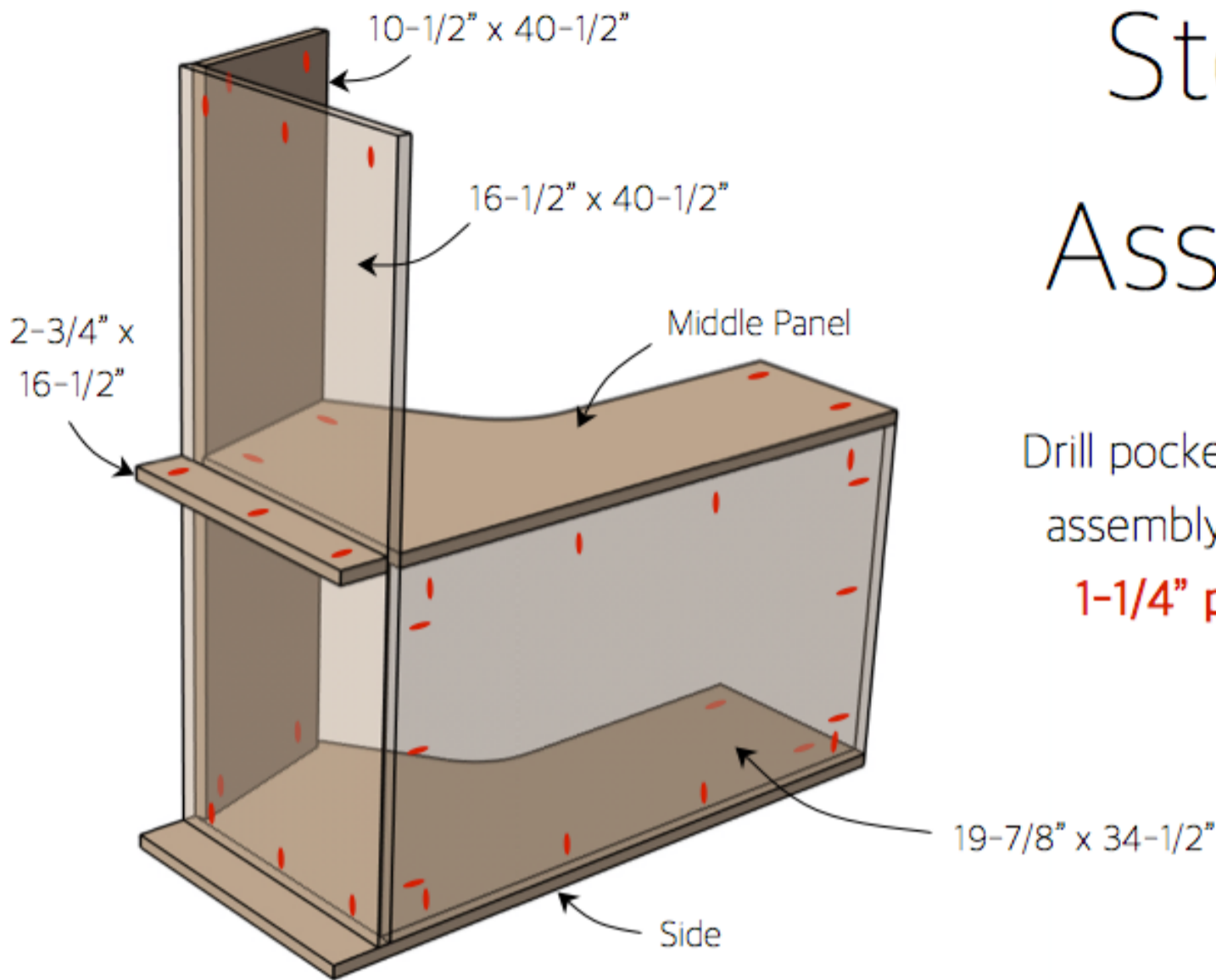
Step 1: Cut Sides and Mid Panel



Cut sides and middle panel as shown using jig saw and/or circular saw.

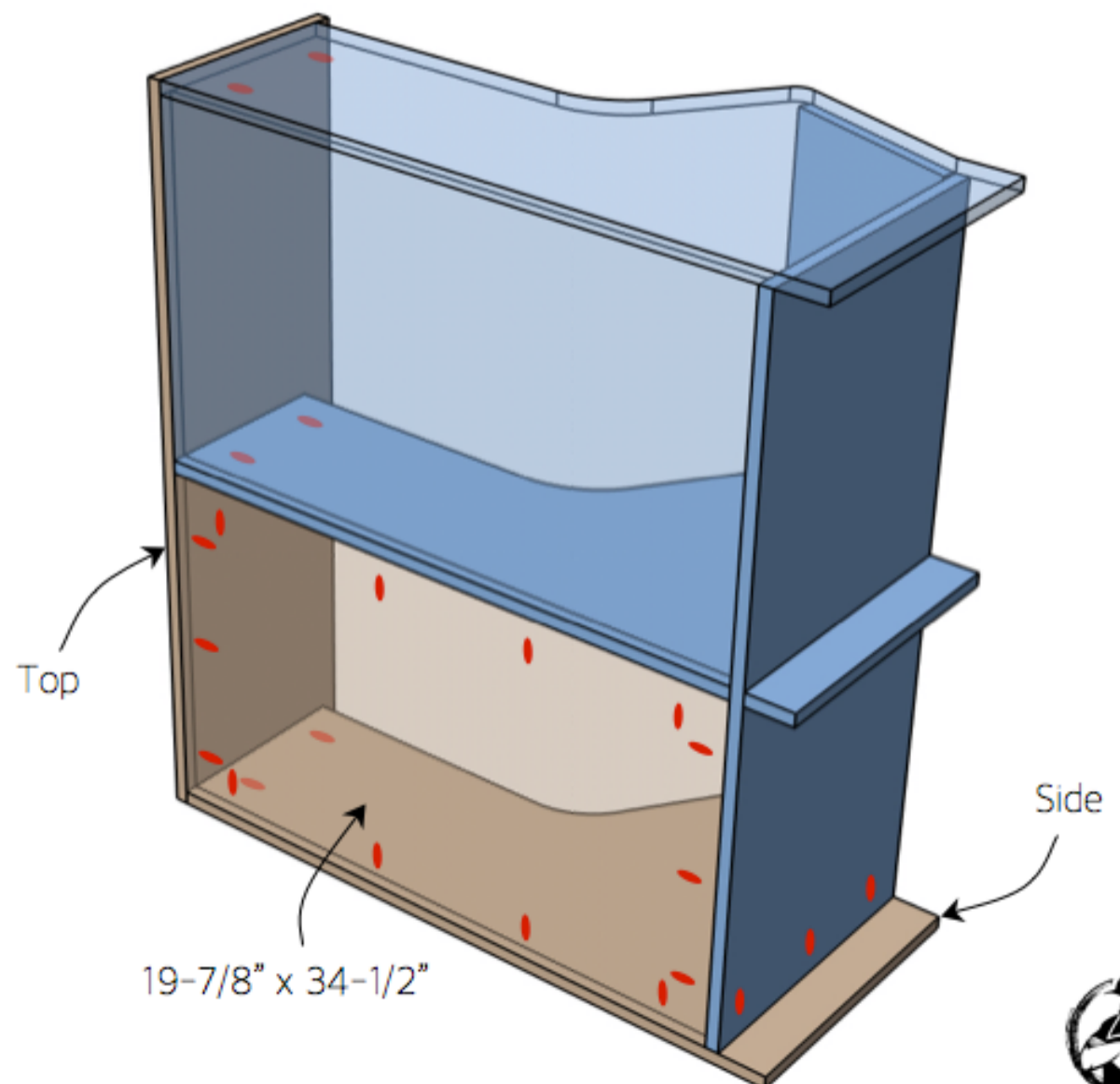
Step 2: Assembly

Drill pocket holes and begin assembly as shown using **1-1/4" pocket screws**.

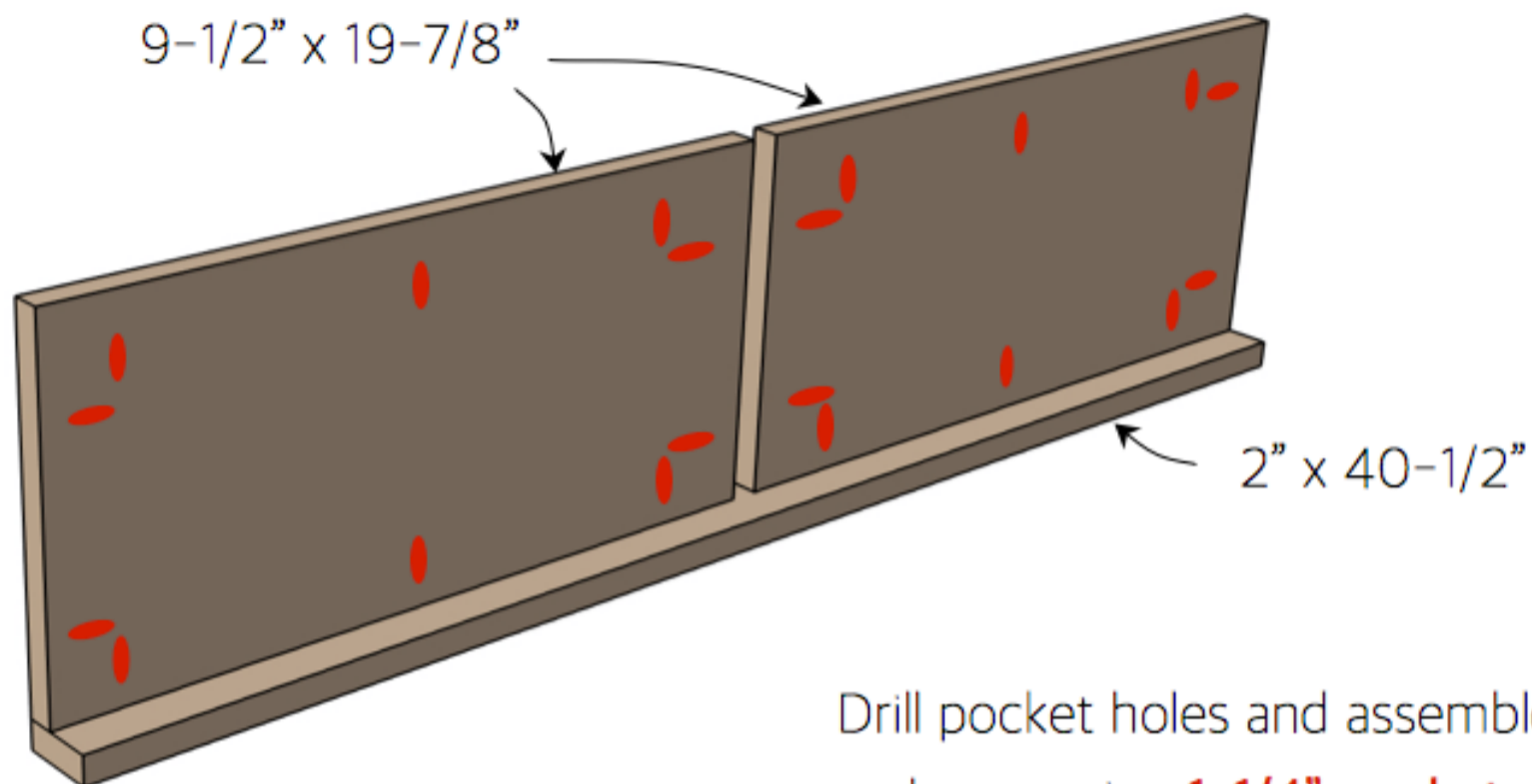


Step 3: Assembly

Drill pocket holes and continue assembly as shown using **1-1/4" pocket screws**.



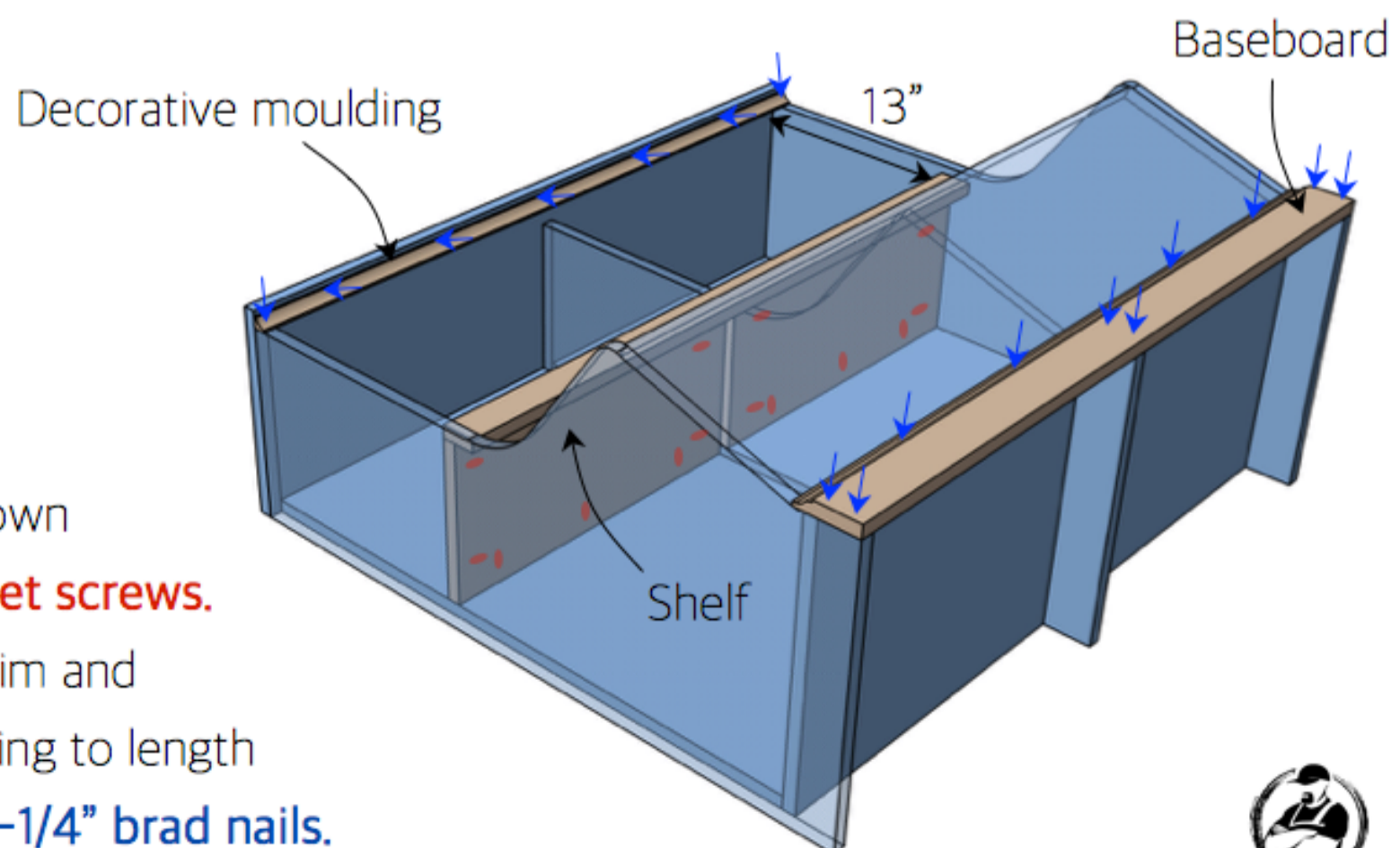
Step 4: Assemble Shelf



Drill pocket holes and assemble shelf as shown using **1-1/4" pocket screws**.



Step 5: Install Shelf & Trim



Install shelf as shown using **1-1/4" pocket screws**.

Cut base board trim and decorative moulding to length and install using **1-1/4" brad nails**.

