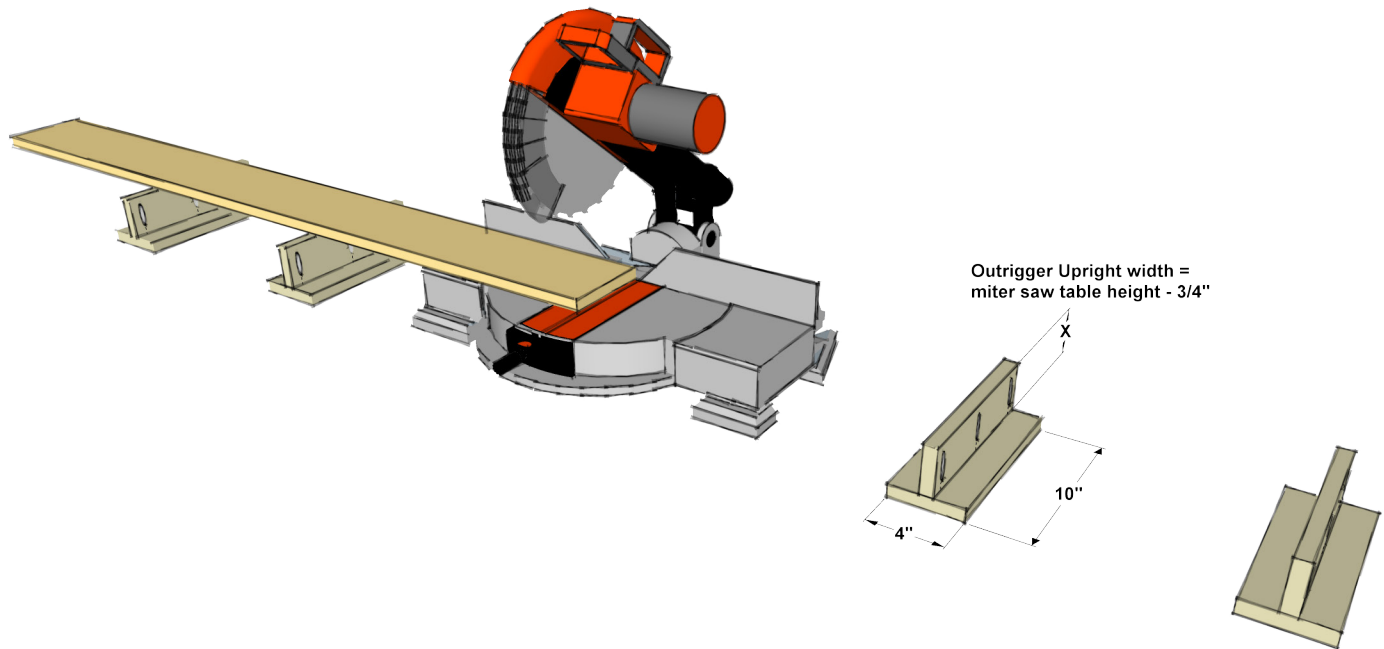




Project Plans

Miter Saw Outriggers

Make any miter saw more versatile and get better cutting results by building a simple set of "outriggers" to support long pieces while you cut.



It's no surprise that a miter saw is one of the favorite tools that woodworkers and DIYers have. A miter saw versatile, powerful, compact, and affordable. But this tool has a major shortcoming: The small saw table just won't support long boards, so you end up having to try to hold them down, and to try to prevent pieces from falling when you cut.

Of course, you can create a dedicated miter saw station, which is the ultimate setup. But what if you don't have space, or you want your saw to remain portable?

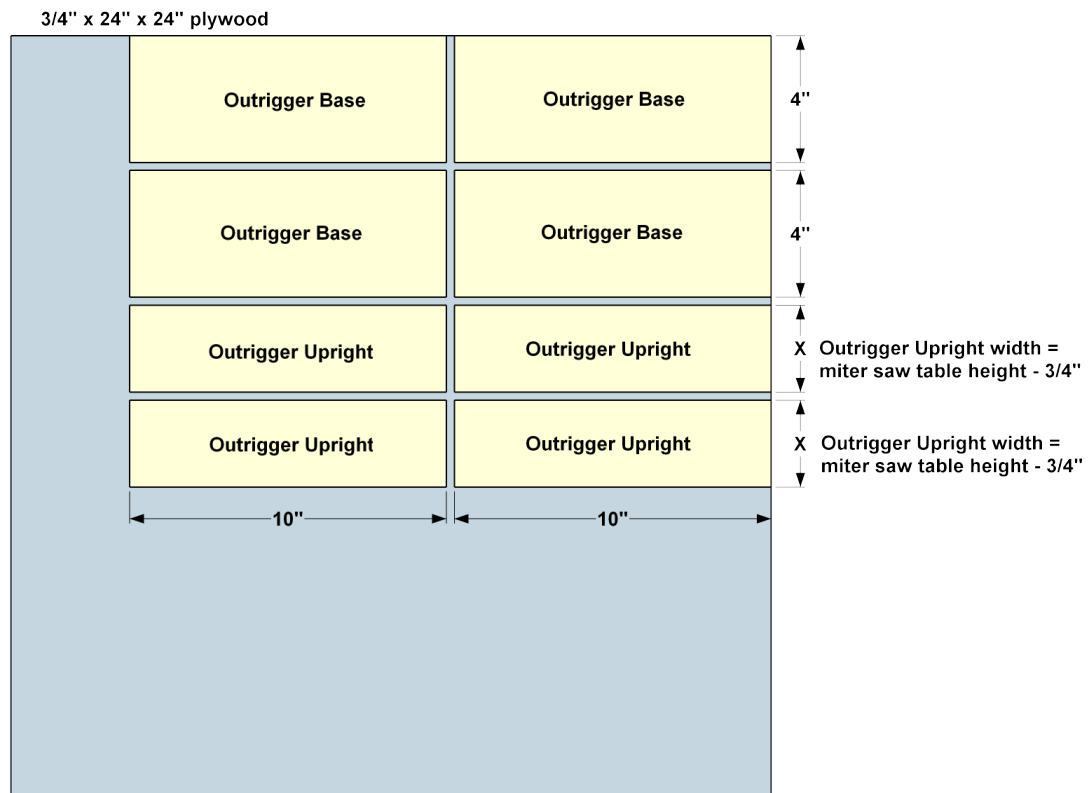
The answer is surprisingly easy: Just build these simple outriggers. They're cut from a 24"-square piece of 3/4" plywood, they don't take much space, and they can be setup anywhere from on a workbench to a table, a deck, or a driveway.



What You'll Need:

Materials	Tools	Supplies
• (1) 3/4" plywood, 24" x 24"	• Miter Saw	• (12) 1 1/4" coarse-thread pocket-hole screws
	• Drill	
	• Circular Saw	
	• Circular-Saw Guide	
	• Kreg Pocket-Hole Jig	
	• Tape Measure	
	• Clamps	
	• Workbench	

Cutting Diagram



Parts List:

Quantity	Part Name	Dimensions
(4)	Outrigger Base	3/4" x 4" x 10"
(4)	Outrigger Upright	3/4" x cut to fit x 10"

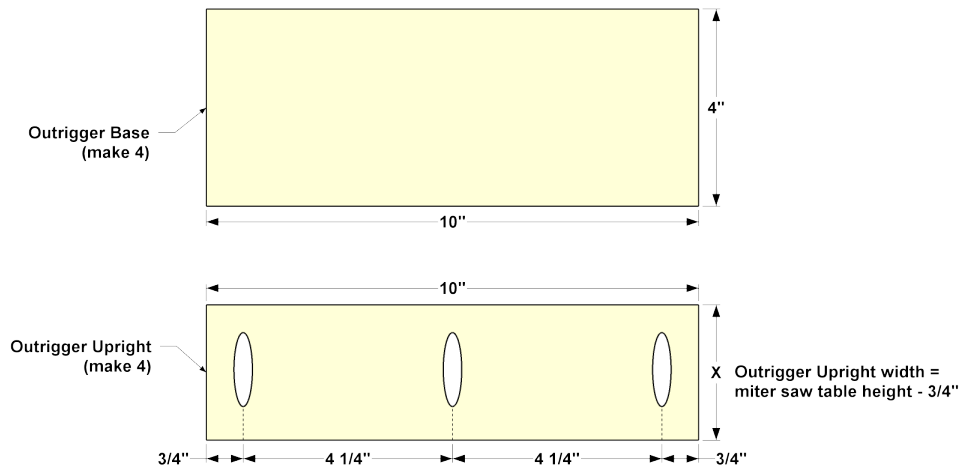


Step 1: Make the Parts

Making the outriggers is easy. You can just cut the pieces from a small piece of $\frac{3}{4}$ "-thick plywood. Start by cutting four Base pieces to size using a circular saw, as shown in the cutting diagram and illustration. To make straight, smooth cuts easily, use a Kreg circular-saw cutting guide, such as the Accu-Cut™ or Rip-Cut™.

To make the Uprights, though, you'll need to do a bit of measuring. That's because the table height of every brand and model of miter saw seems to be different. So, start by placing your miter saw on a flat surface. Place one of your base pieces alongside the saw, and then measure from the top of the saw table to the face of the plywood. This is the most accurate way to measure, because the plywood will likely be slightly thinner than its stated $\frac{3}{4}$ " thickness. You can rip the Uprights to the width you measured, and then cut them to length.

With your Kreg Pocket-Hole Jig set up for $\frac{3}{4}$ "-thick material, drill three pocket holes along one edge of each upright, as shown. Then you can sand the faces and edges of the Uprights and the Bases smooth.



Step 2: Assemble the Outriggers

All that's left to do is attach the Uprights to the Bases. Center each Upright on the width of the base, and then attach it using $1\frac{1}{4}$ " coarse-thread pocket-hole screws. Now you're ready to cut long boards more confidently with your miter saw.

