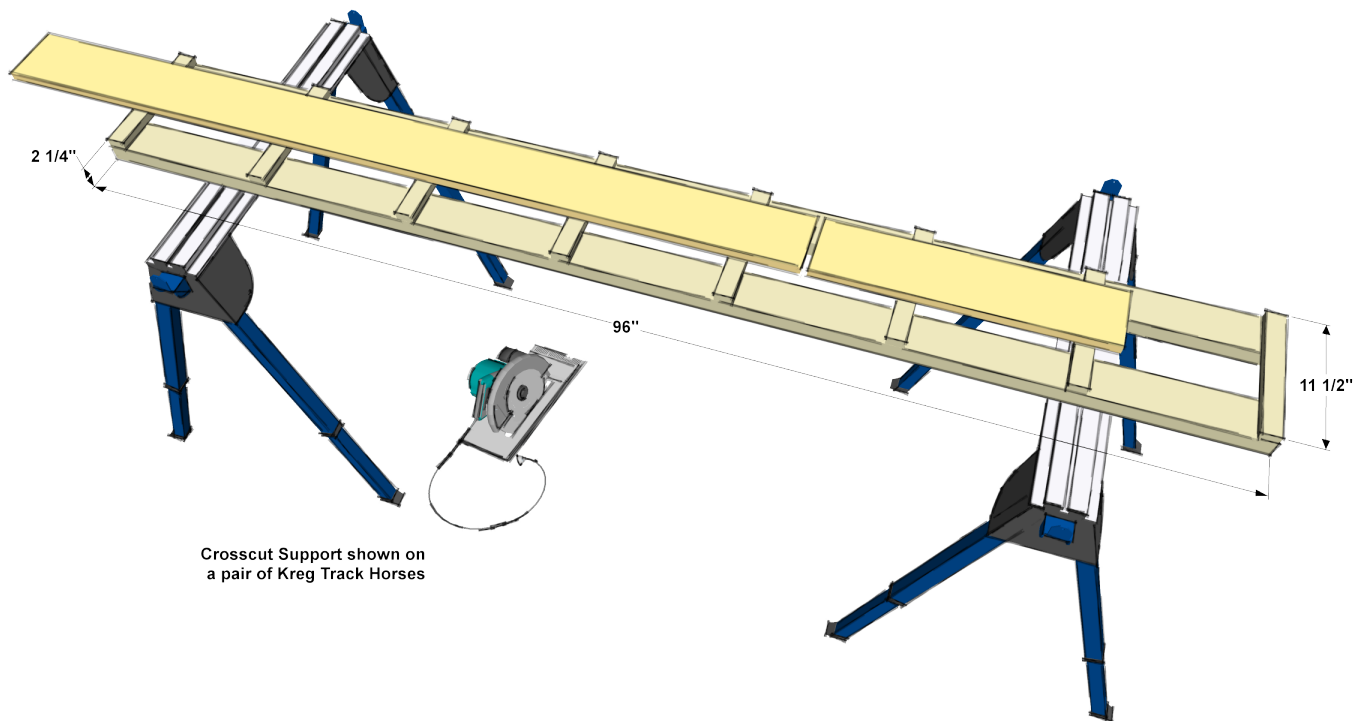




Project Plans

Crosscut Support

Make cutting boards to length easy and eliminate the hassle of dealing with unsupported workpieces with this easy-to-build cutting support.



When you're cutting boards with a circular saw it's common to use a couple of sawhorses to hold the board. If you've done it, though, you know there are two inevitable problems.

First, the piece you cut off is almost always unsupported, so it falls to the ground and gets banged up as you complete the cut. That's fine if you're just trimming the end off. But when building projects, you'll usually need to cut more pieces from that cutoff piece. Second, you can't always space the sawhorses at the proper distance to support both ends of the piece you are cutting.

This simple support takes care of both problems. It's just two 2x4 rails that have 1x2 crossbars spanning between. This assembly can sit on a pair of works supports, such as Kreg® Track Horses or Mobile Project Centers, on sawhorses, or even on the ground.

The crossbars hold the piece you are cutting, as well as the remaining part of the board, securely. Because the crossbars are spaced above the rails, you can cut without the saw blade contacting the rails. With this setup, you'll have a much easier time holding the board, and you don't need to worry about it falling or binding. With the board supported, you'll also have an easier time using a saw guide, such as the Kreg Square-Cut™, to get a straight, square cut.



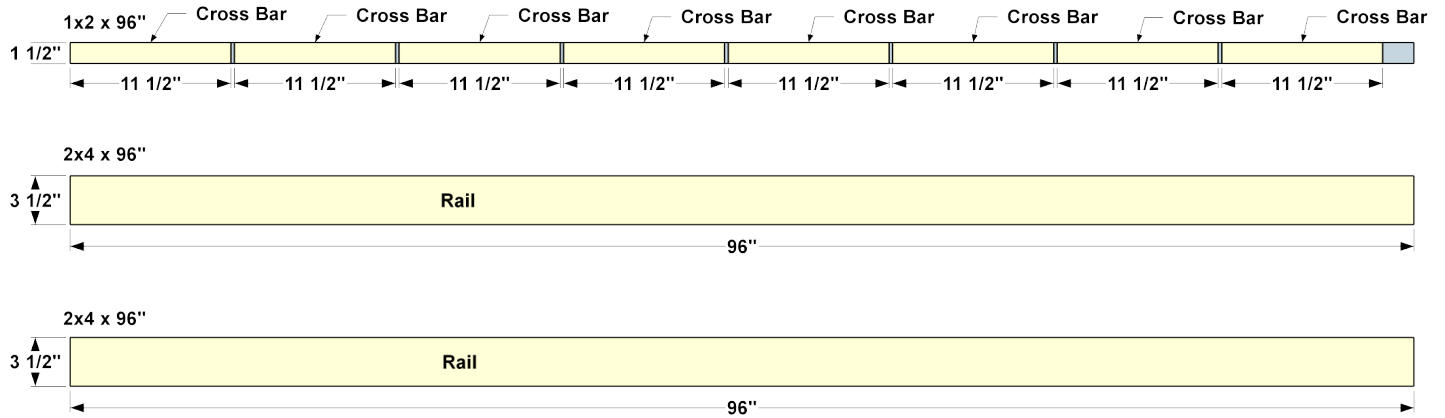
Project Plan: Crosscut Support

©2019 Kreg Tool Company. All Rights Reserved.

What You'll Need:

Materials	Tools	Supplies
• (2) 2x4 x 96"	• Miter Saw or Circular Saw	• Wood Glue
• (1) 1x2 x 96"	• Tape Measure	
• (2) Track Horse or Sawhorse	• Clamps	
	• Workbench	

Cutting Diagram

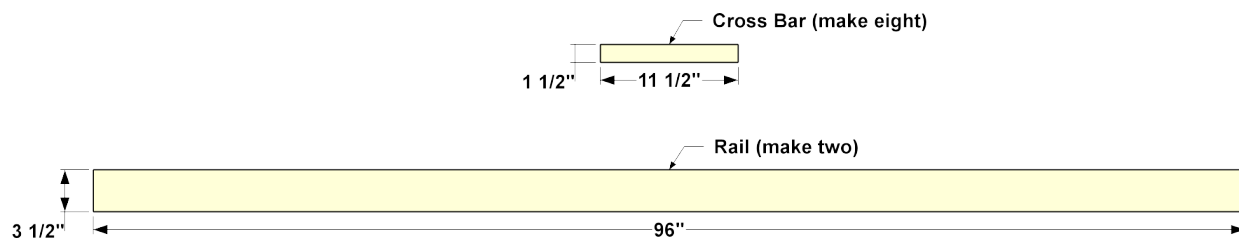


Parts List:

Quantity	Part Name	Dimensions
(2)	Rail	1 1/2" x 3 1/2" x 96"
(8)	Crossbar	3/4" x 1 1/2" x 11 1/2"

Step 1: Make the Parts

With just three boards needed, finding lumber for this project is a snap. As you shop, though, take time to find boards that are as flat and straight as possible. Then you can cut the parts to length, as shown in the cutting diagram and illustration. By the way, don't take for granted that your 2x4s will be exactly 96" long. They may be slightly longer and need to be trimmed to final length.



Step 2: Attach the Cross Bars to the Rails

Now you can assemble the parts to create the completed rails and cross bars. First, lay the parts out on your work surface, or on the floor, and make sure you have them all oriented correctly. Then you can glue all the rail assemblies together, as well as the cross bars.

