

Grandkids' Stool

By Ifrost

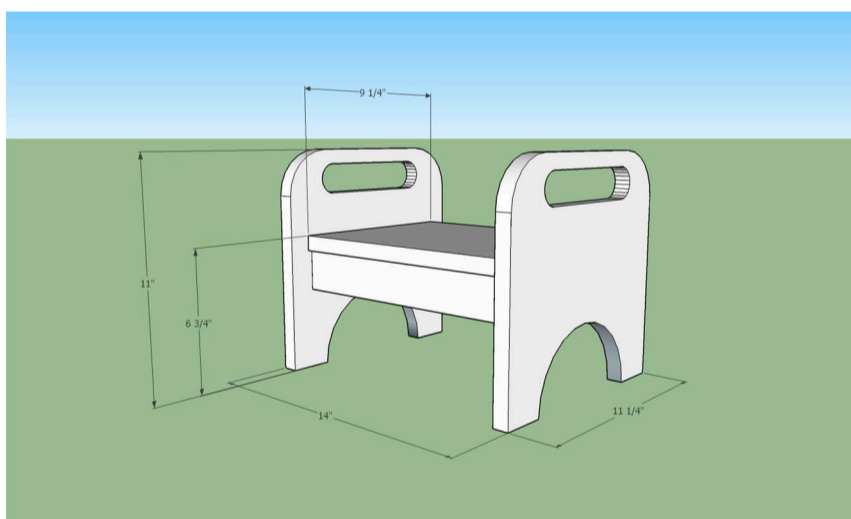
Difficulty

Moderate

Easy to make stool utilizing one 12" wide board. Modified the Kreg Kids' Step Stool to reduce the number of pieces of wood that needed to be joined.

Constructed three stools, one for each grandchild, and one for our home. Added grandkids' initials to each end to personalize.





Tools

Kreg Tools



[Kreg® Pocket-Hole Jig 720](#)

Other Tools

Jigsaw

Miter Saw

Table Saw

Tape Measure

Drill (cordless)

Router

Router Table

Sander

Shop Vacuum

Materials

Wood Products

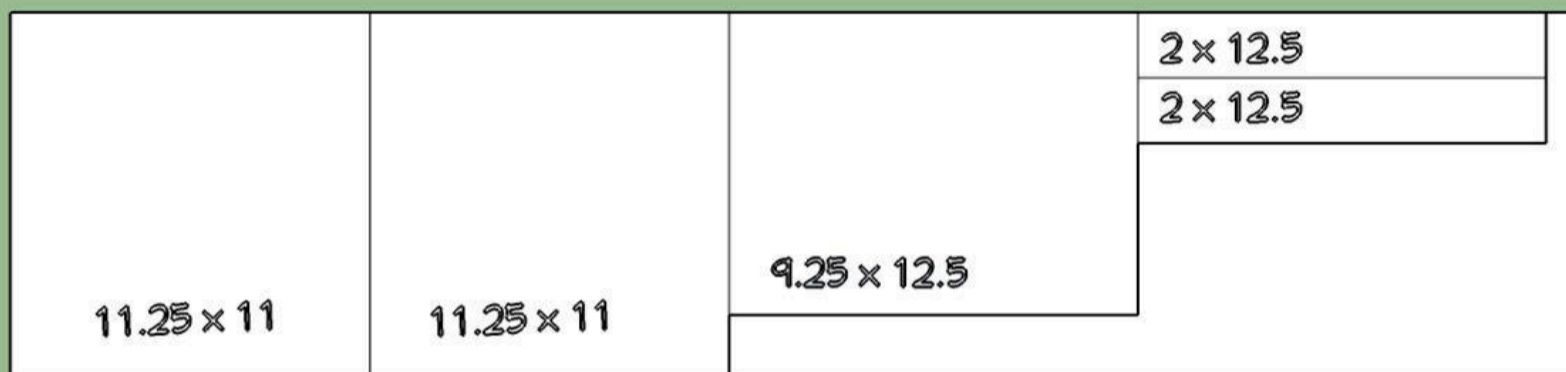
1 Board , 1x12 , 48"

Hardware & Supplies

18 1 1/4" Pocket Hole Screws

Cut List & Parts

1 Board, 3/4"x 12 X 48



1 x 12 x 48" poplar board

Directions

1

Cut the side pieces

Cut (2) side pieces - 11 1/4" x 11".

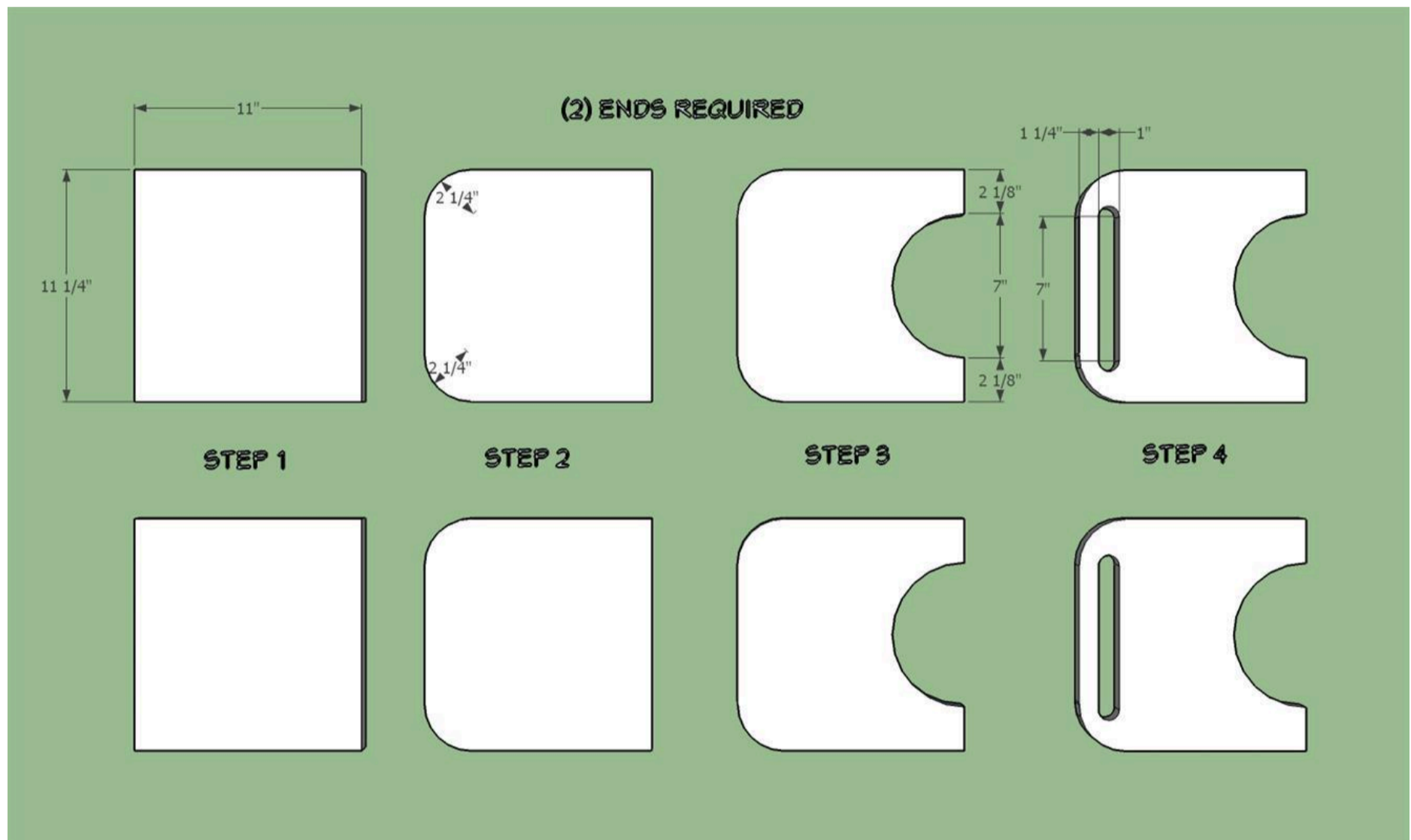
Cut 2 1/4" radius' to the upper edges with a jig saw.

Cut a 3 1/2" radius centered on the bottom edge with a jig saw.

Use a router to create the hand holes.

Use spindle sander to sand the radius' and the hand hold.

Round over all edges except the bottom 'feet' with a router round over bit.

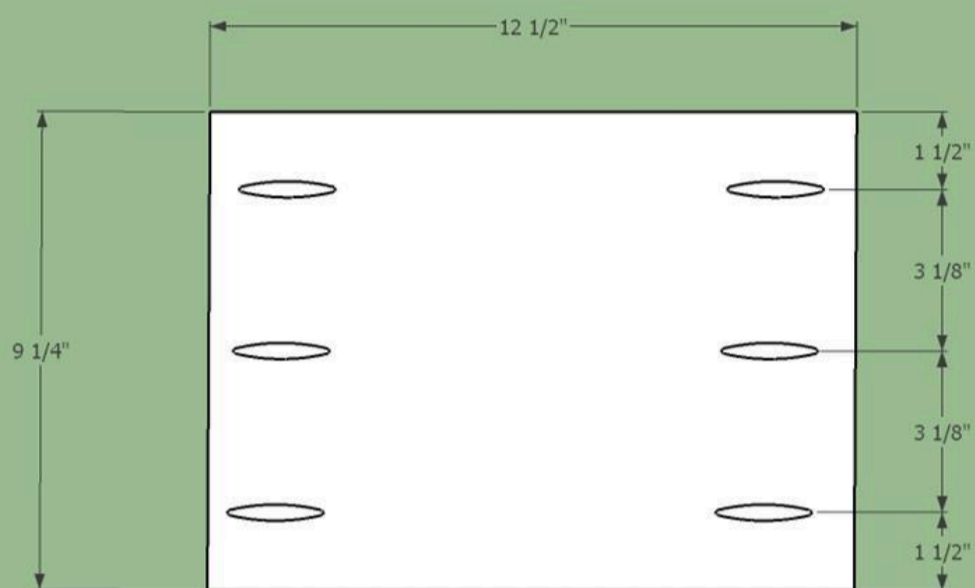


2**Cut the seat/step**

Cut one seat/step piece - 9 1/4" x 12 1/2".

Use a pocket hole jig to drill pocket holes as shown.

Round over the Outside edges with a router round over bit.



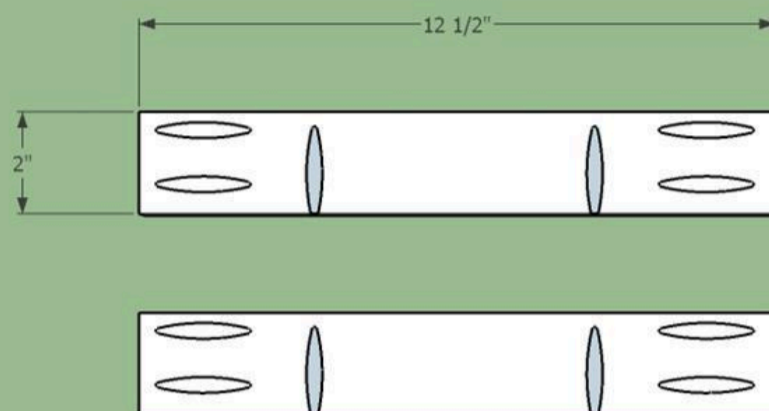
(1) SEAT REQUIRED

3**Cut the seat/step supports**

Cut (2) 2" x 12 1/2" x 3/4" step/seat supports.

Use a pocket hole jig to drill the holes as shown.

Round over the bottom edge with a router round over bit.

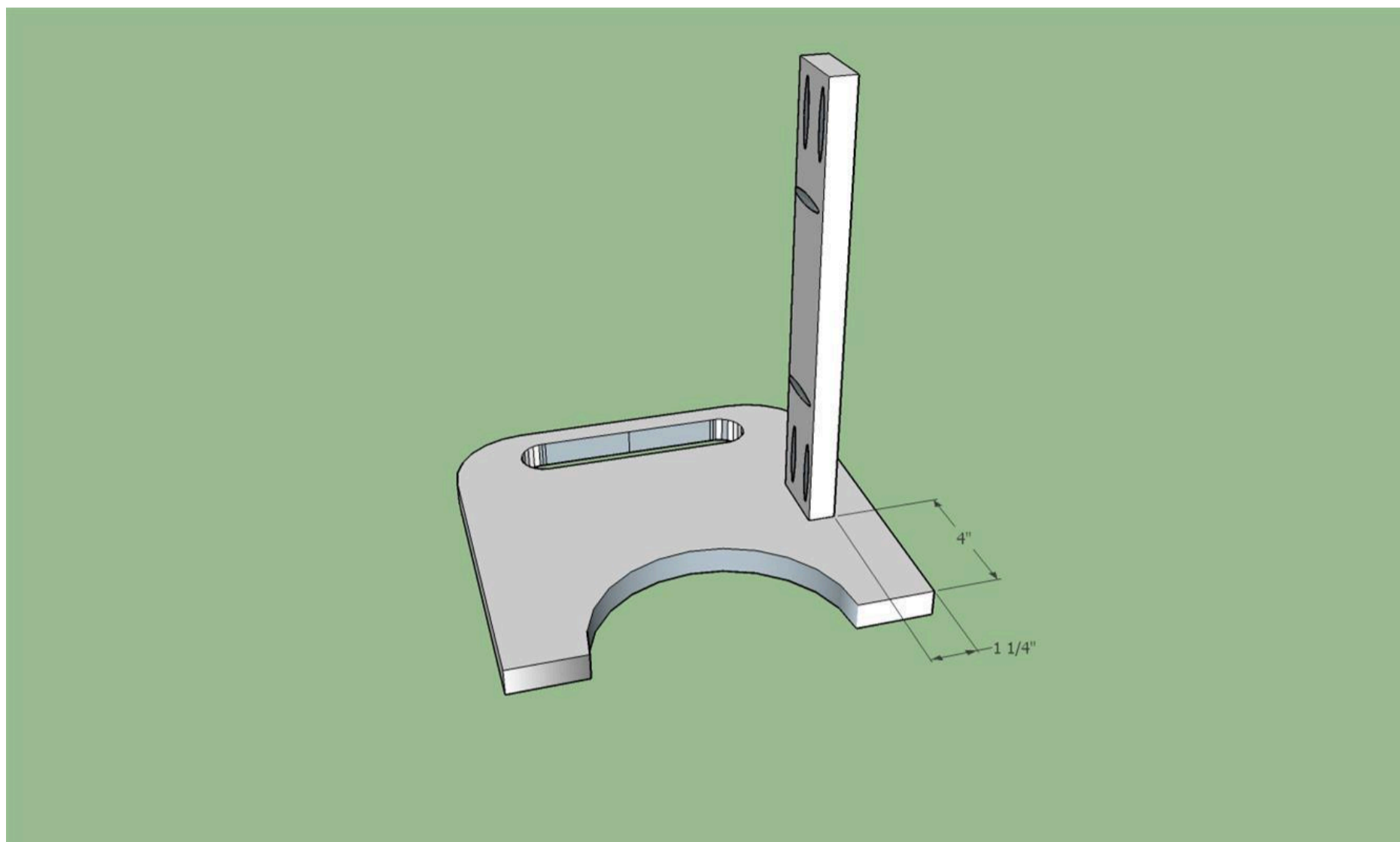


(2) SUPPORTS REQUIRED

4

Assemble the parts - support 1

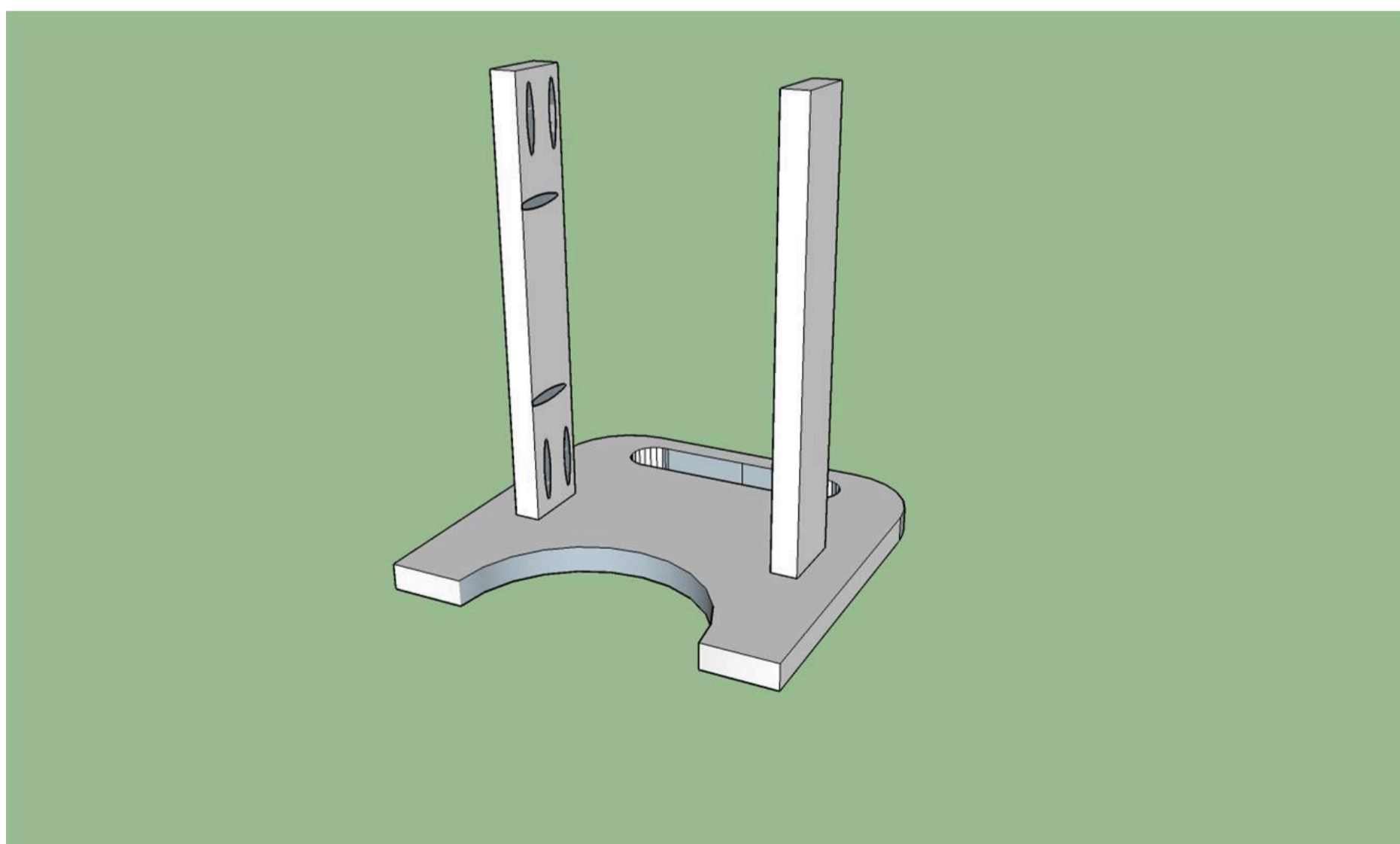
Secure one support as shown with 1/4" pocket hole screws.



5

Assemble the parts - support 2

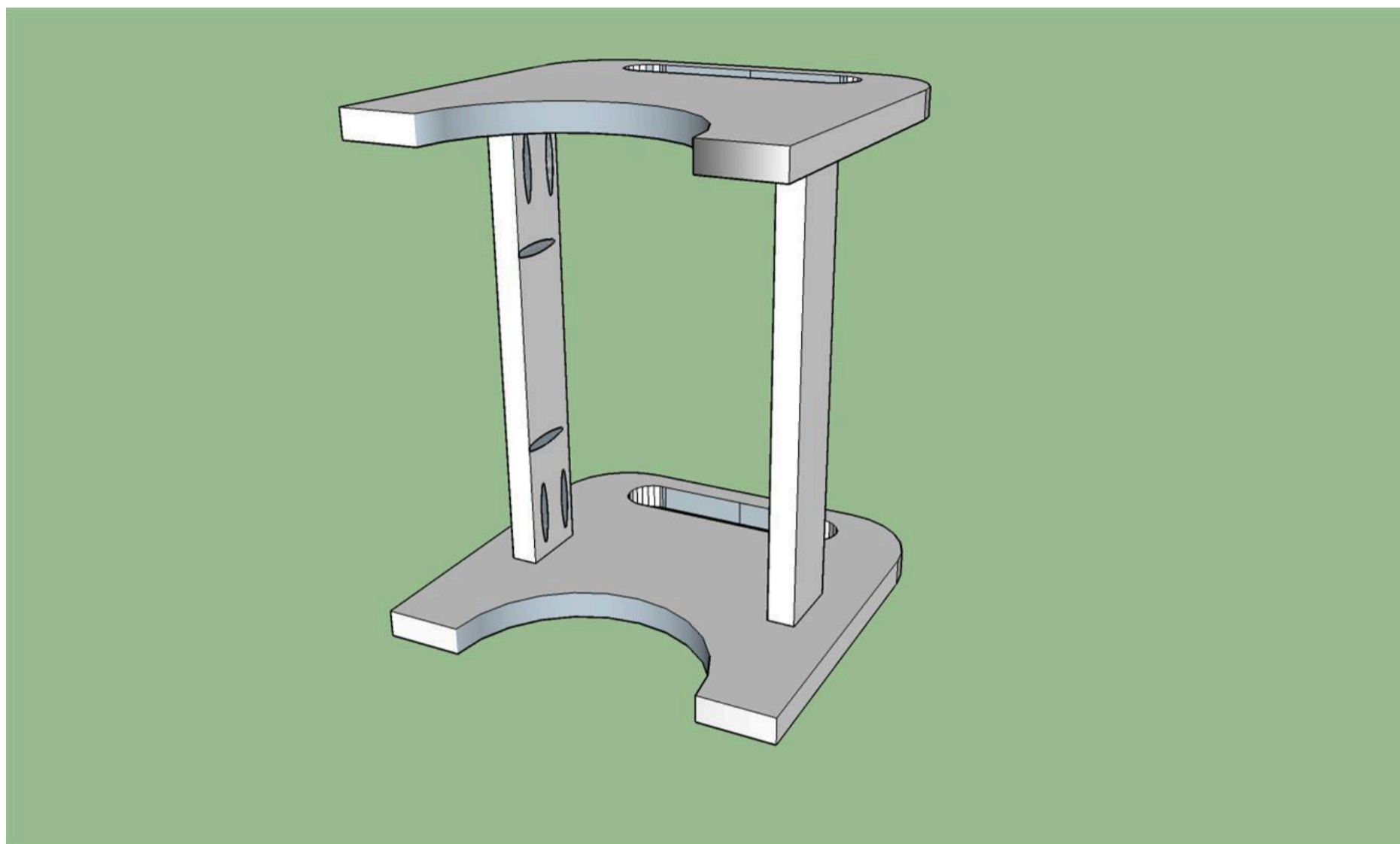
Secure one support as shown with 1/4" pocket hole screws.



6

Assemble the parts - end piece

Add the final side piece and secure with 1 1/4" pocket hole screws.

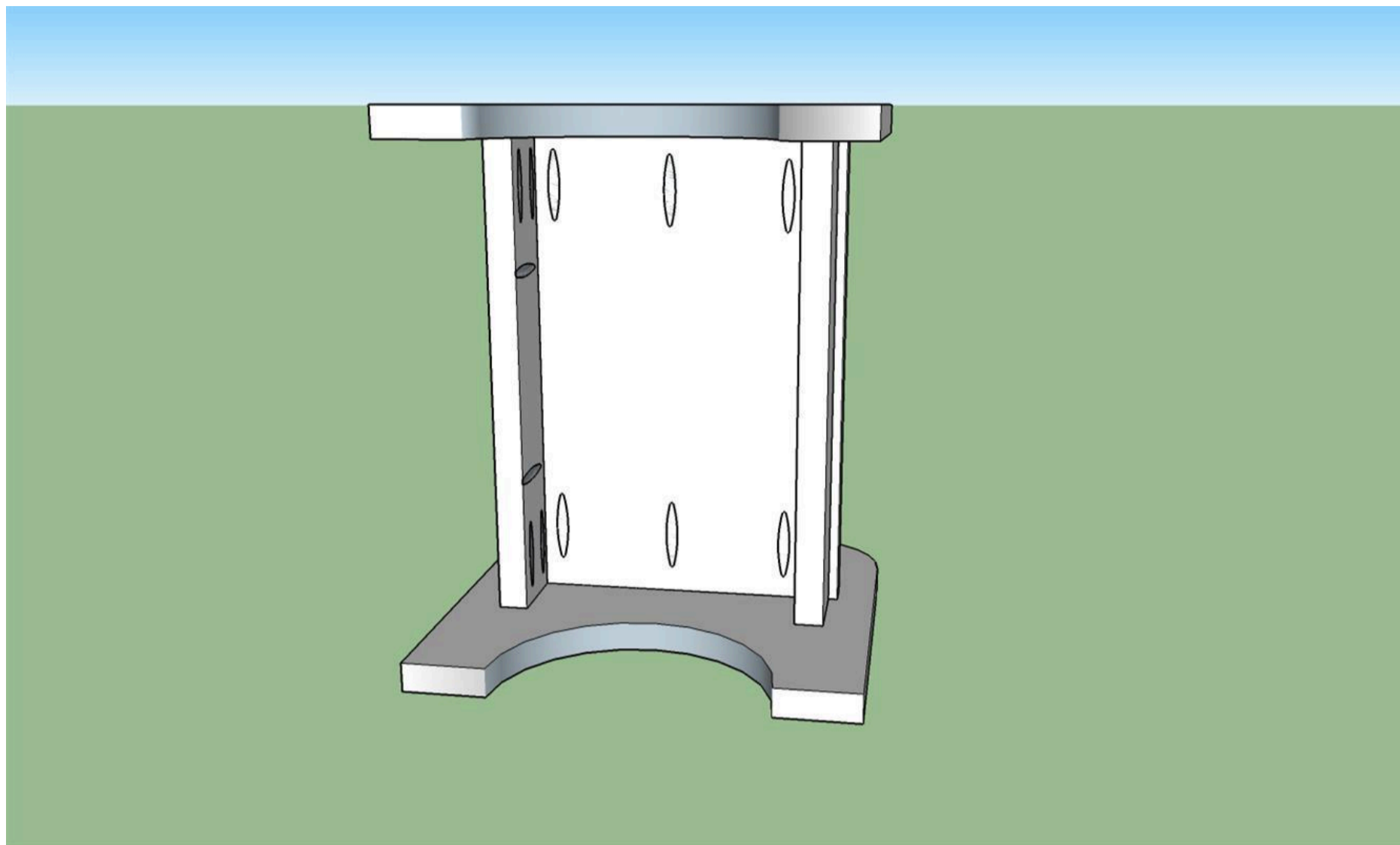


7

Add the seat

Add the seat and secure to the side pieces with 1 1/4" pocket hole screws.

Also screw the supports to the seat with 1 1/4" pocket hole screws.



8

Paint or Stain the step stool

With assembly complete, paint or stain as desired.
Also add floor protection to the bottom of each foot.
I used a 1/2" x 1 3/4" piece of 1/8" cork on each foot.

