

# Garage/Mudroom Storage and Organizer

By **Ifrost**

Difficulty  
Advanced

We needed a broom closet and storage in our garage. Bench area to put on shoes or boots, with shoe/boot storage below. We live in a northern climate and use our garage as a refrigerator in the winter time, so the shelves are to store items on, and drawers to install misc. outdoor items.





# Tools

## Kreg Tools



[Kreg® Pocket-Hole Jig 720](#)

## Other Tools

Circular Saw (corded)

Miter Saw

Square

Table Saw

Tape Measure

Nail Gun

Sander

Shop Vacuum

Workbench

# Materials

## Wood Products

**3** Board , 2x4 , 96"

**1** Plywood , 3/4" Thick , 96"

**2** Board , 1x2 , 96"

**2** Board , 1x12 , 96"

**1** Plywood , 1/4" Thick , Quarter Sheet

**2** Board , 1x8 , 72"

**4** Plywood , 3/4" Thick , Half Sheet

**2** Board , 1x2 , 96"

**2** Board , 1x8 , 96"

**1** Plywood , 1/4" Thick , 24"

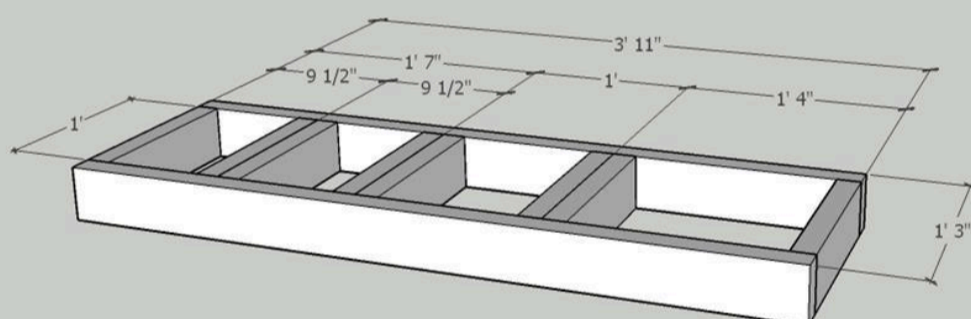
## Hardware & Supplies

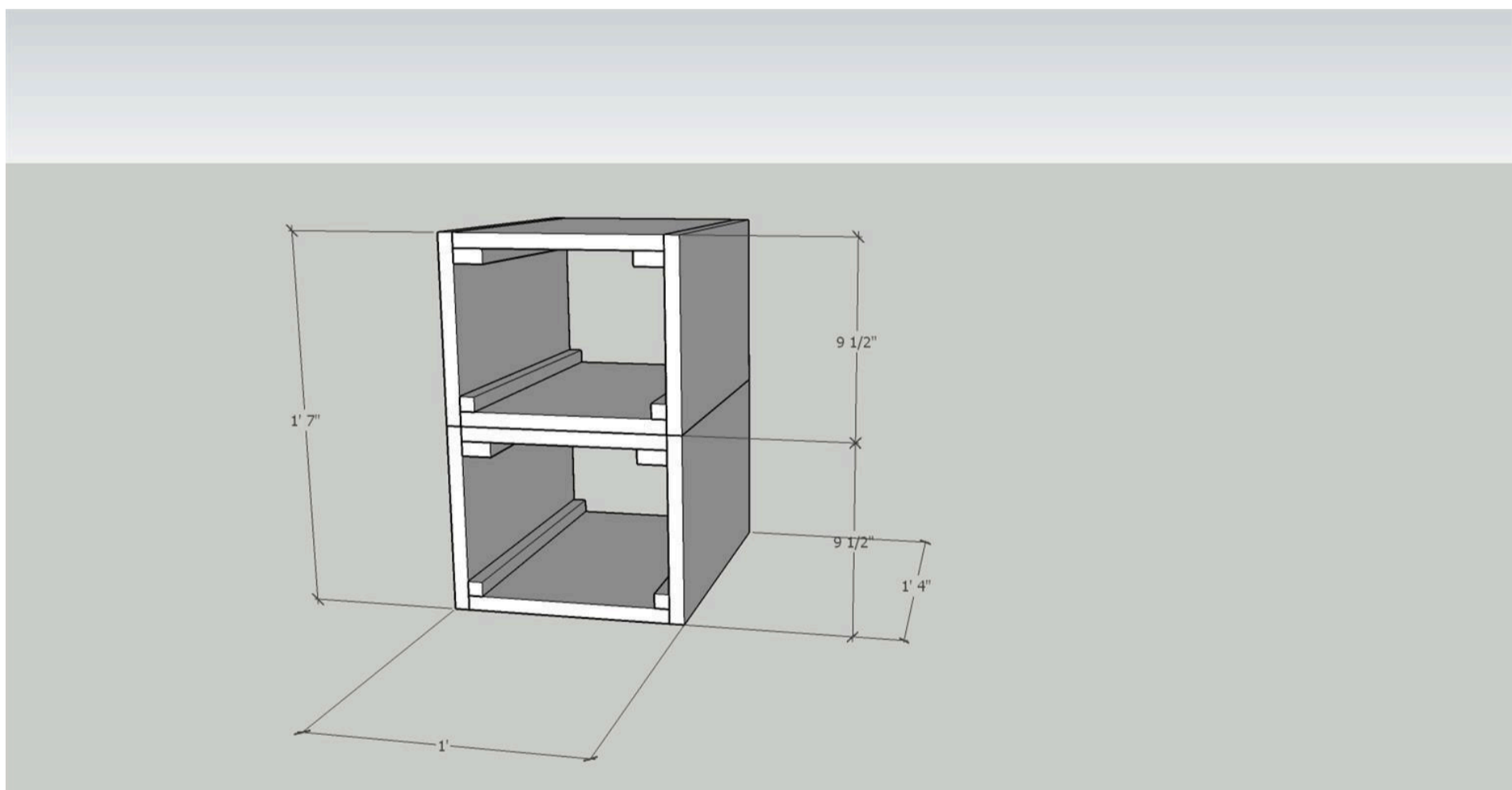
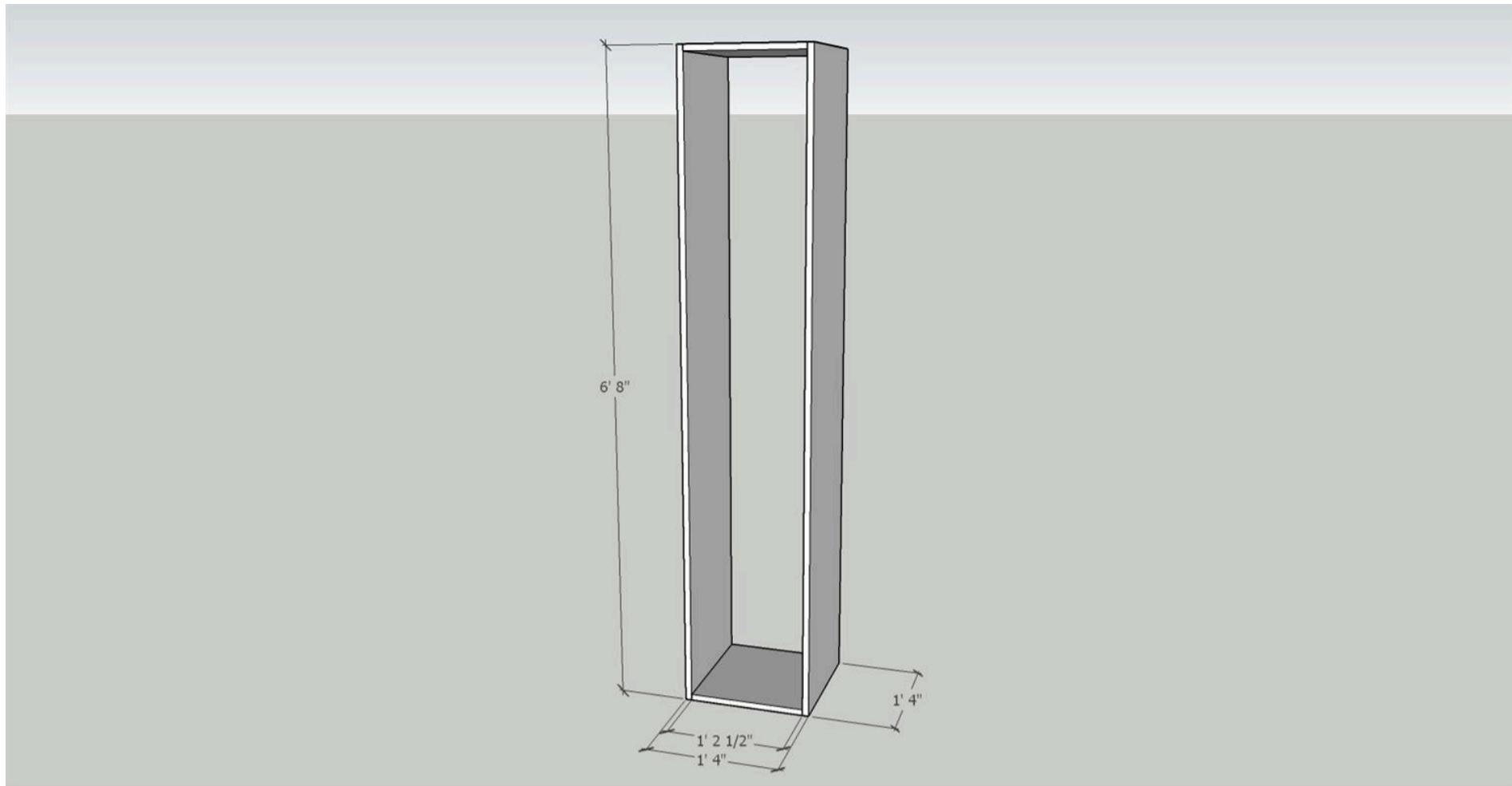
**2** Drawer Pulls

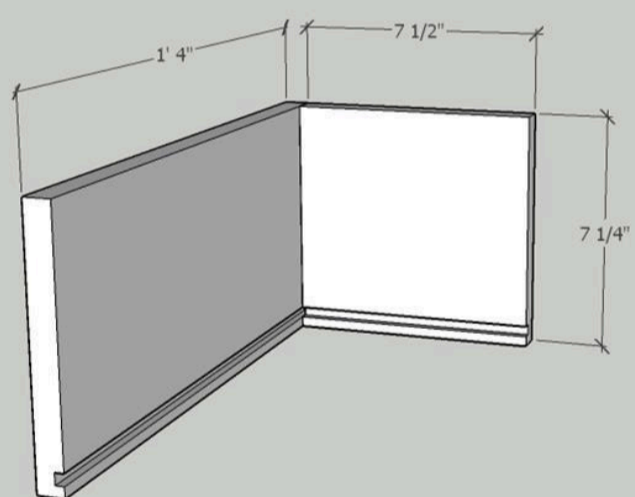
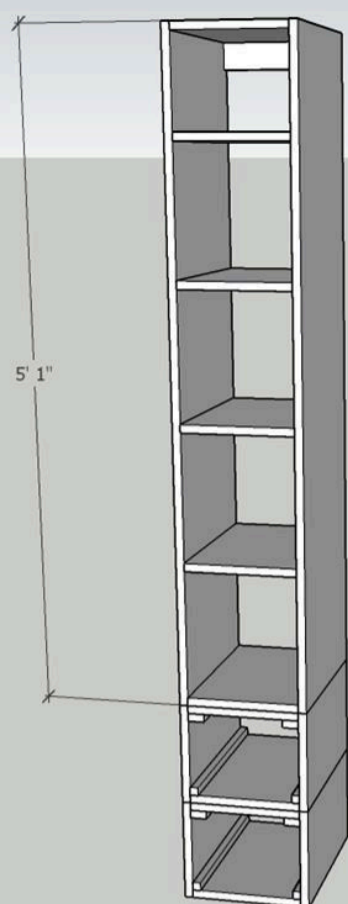
**16** Adjustable Shelf Pins

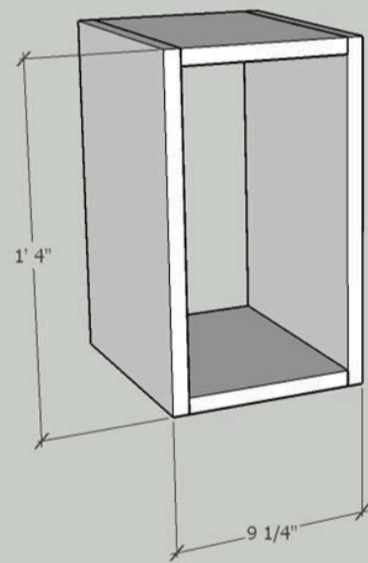
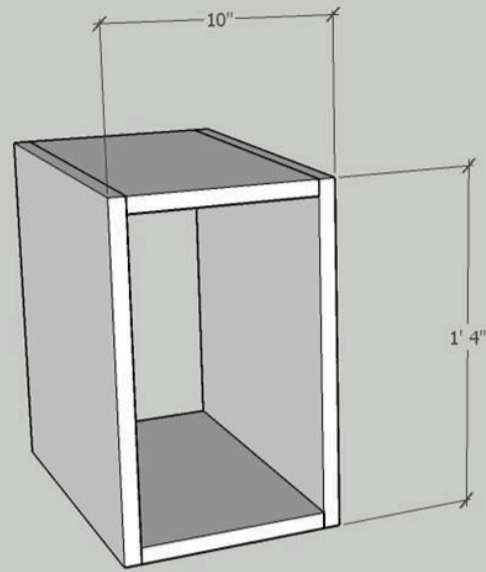
# Cut List & Parts

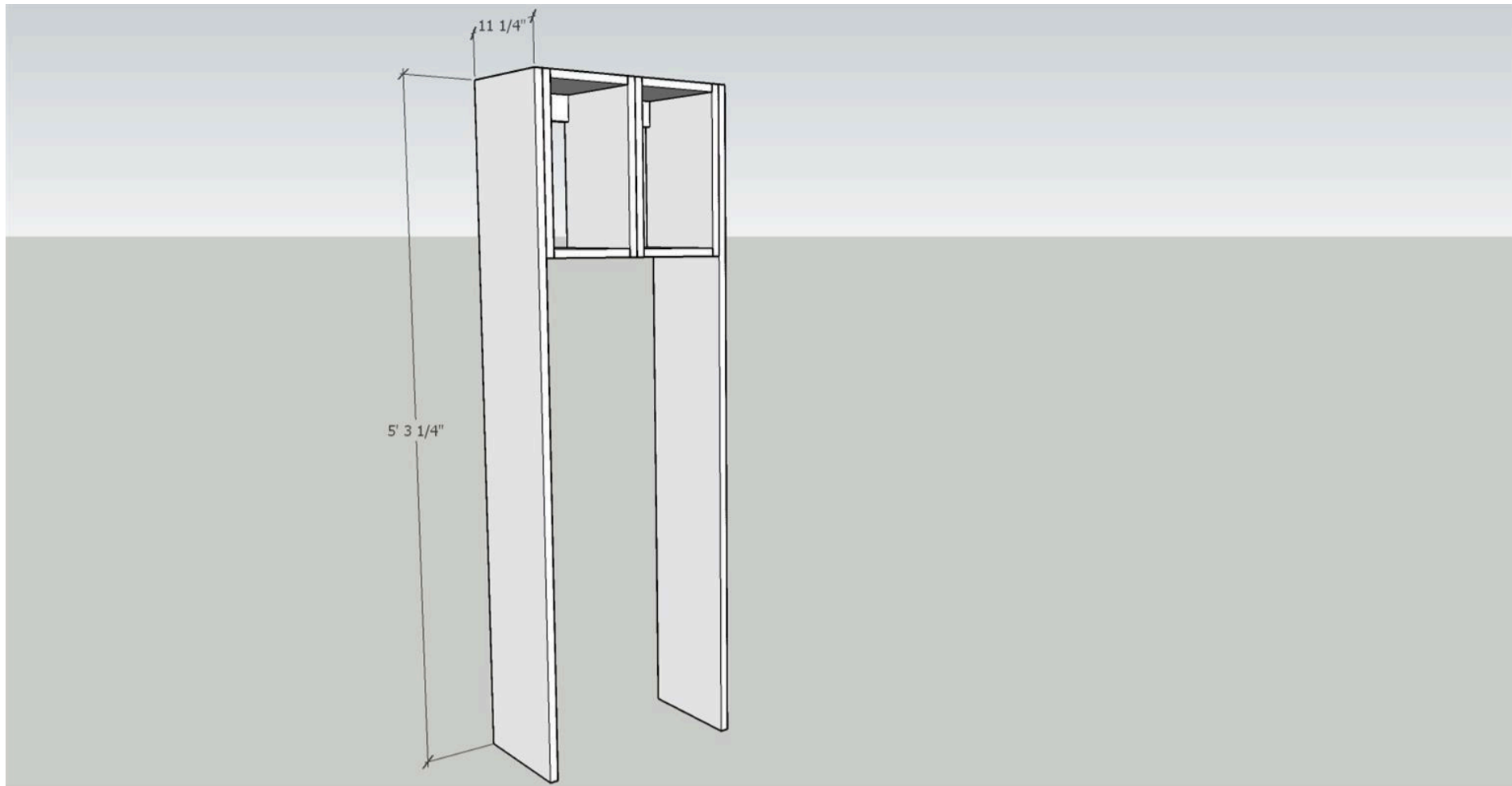
- 2 Base Framing , 2"x4"x8' Stud
- 2 Closet Framing , 24"x96"x3/4" Plywood
- 1 Nailers , 1"x3"x8' Board
- 2 Drawer Sub-framing , 1"x12"x6' Board
- 2 Shelf Framing , 24"x96"x3/4" Plywood
- 2 Drawer Constrution , 1"x10"x4'
- 1 Drawer Bottoms , 1/4"x2'x2' Plywood
- 4 Closet/Shelf Face Frames , 1"x2"x8' Board
- 1 Drawer Fronts , 1"x10"x4' B0ard
- 4 Shoe Boxes , 3/4"x16"x30" Plywood
- 1 Seat , 1"x12"x4' Board
- 4 Upper Boxes , 3/4"x12"x30" Plywood
- 2 Upper Box Sides , 1"x12"x6" Board
- 3 Seat Area Face Framing , 1"x2"x8'











REFER TO EACH STEP FOR ADDITIONAL DIMENSIONS FOR ALL PARTS



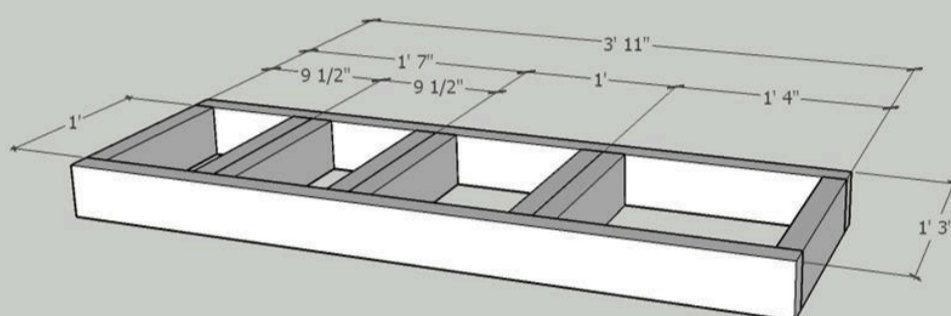
# Directions

**1**

## Construct base

The base is constructed of (3) 2x4's 8' long cut as shown.

I had to taper my base because the garage floor slopes

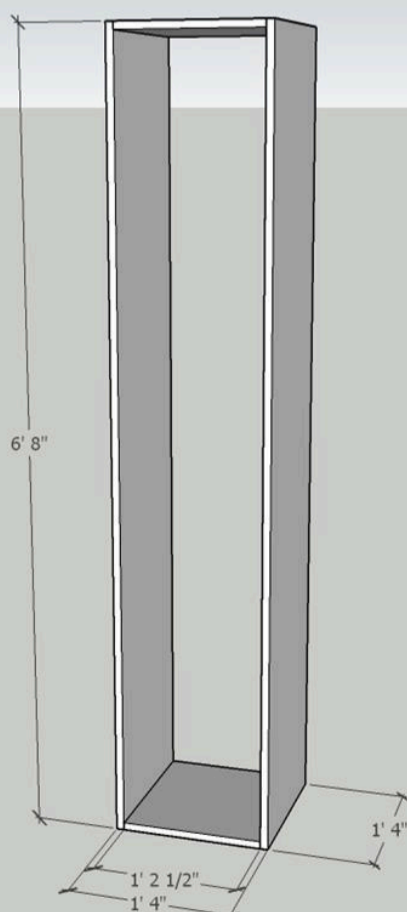


**2**

## Construct the closet box

Construct the closet with dimensions as shown.

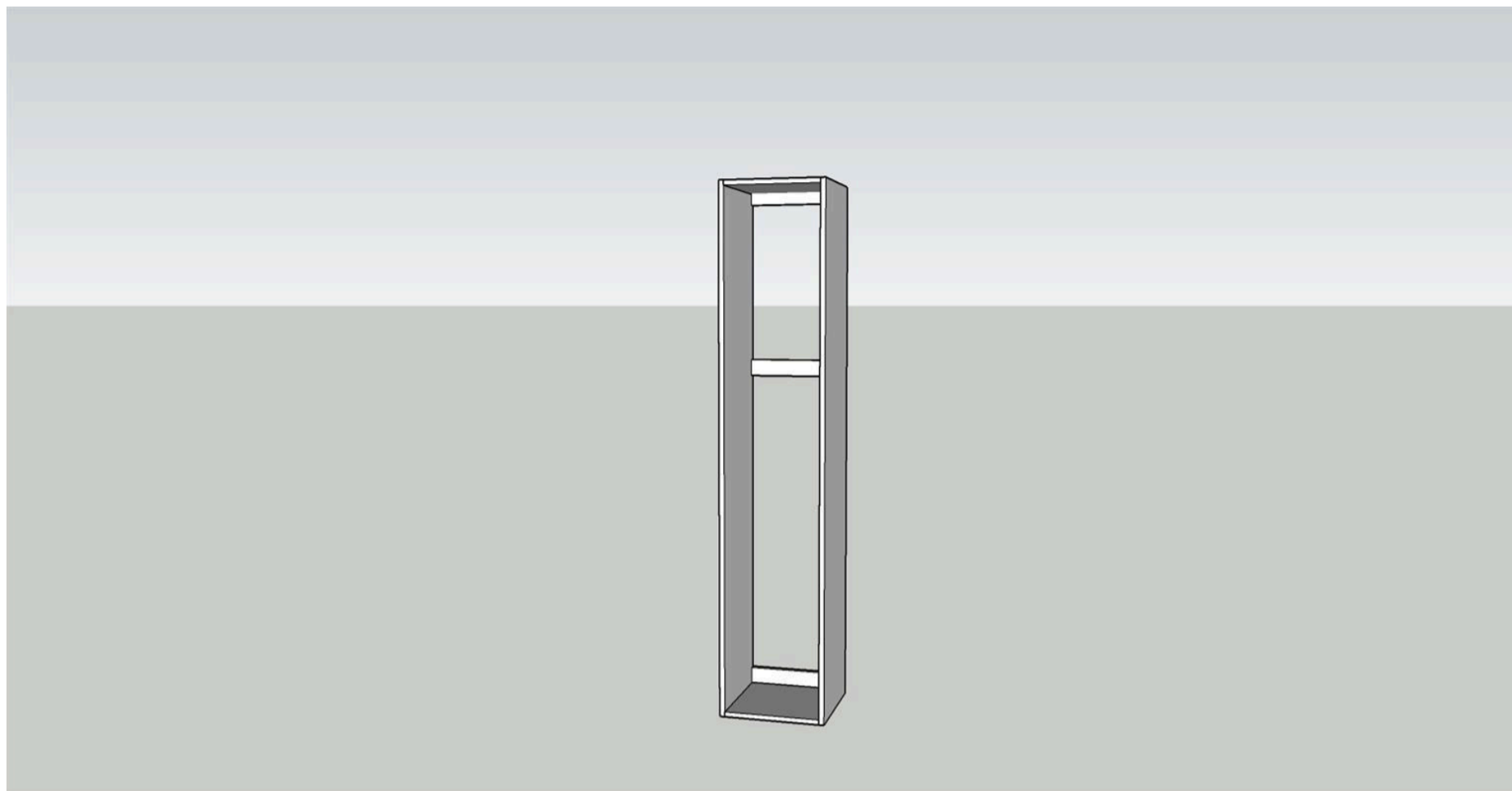
Use pocket holes and 1 1/4" pocket hole screws to attached the top and bottom the the side panels. Locate the pocket holes on the top and bottom so that they are concealed



3

### Attach wall nailers

Attach wall nailers at the the top and bottom of the box as shown. Also add one near the middle to keep the tall box square and straight.

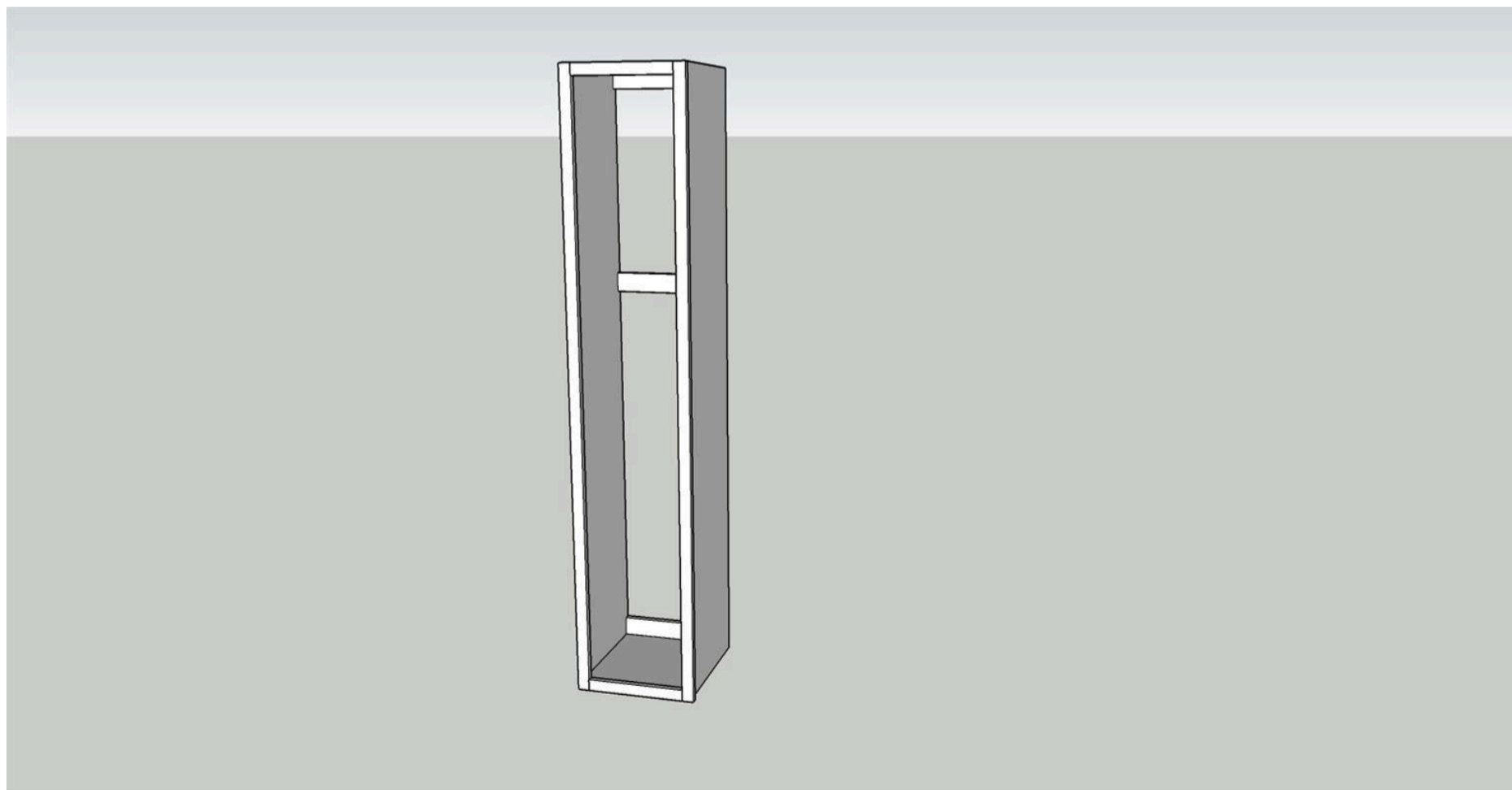


4

### Add the face frame

Construct a face frame from 1x2's as shown.

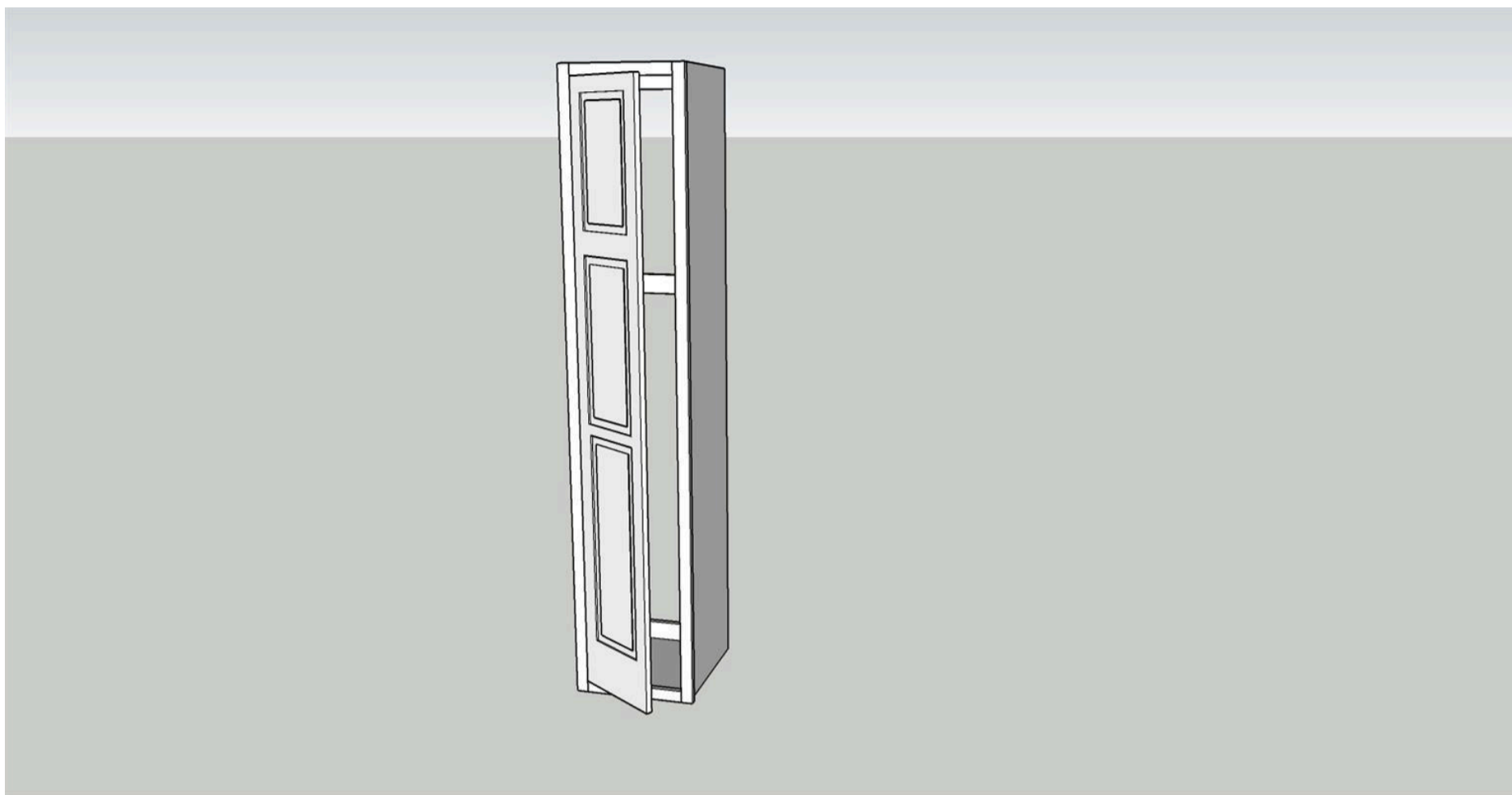
Join the frame with pocket holes and 1 1/4" pocket hole screws and brad nail and glue the face frame to the closet box



## 5

### Add a door

I purchased an old three panel door that was  $3/4"$  x  $6'-8"$  from a recycling store. I had to trim it slightly to fit the height. If you cannot find a door you can construct one to fit the face frame opening that is  $13"$  wide x  $78\ 1/2"$  with  $1\times 8$ 's joined together and cut to correct width.



## 6

### Construct drawer boxes

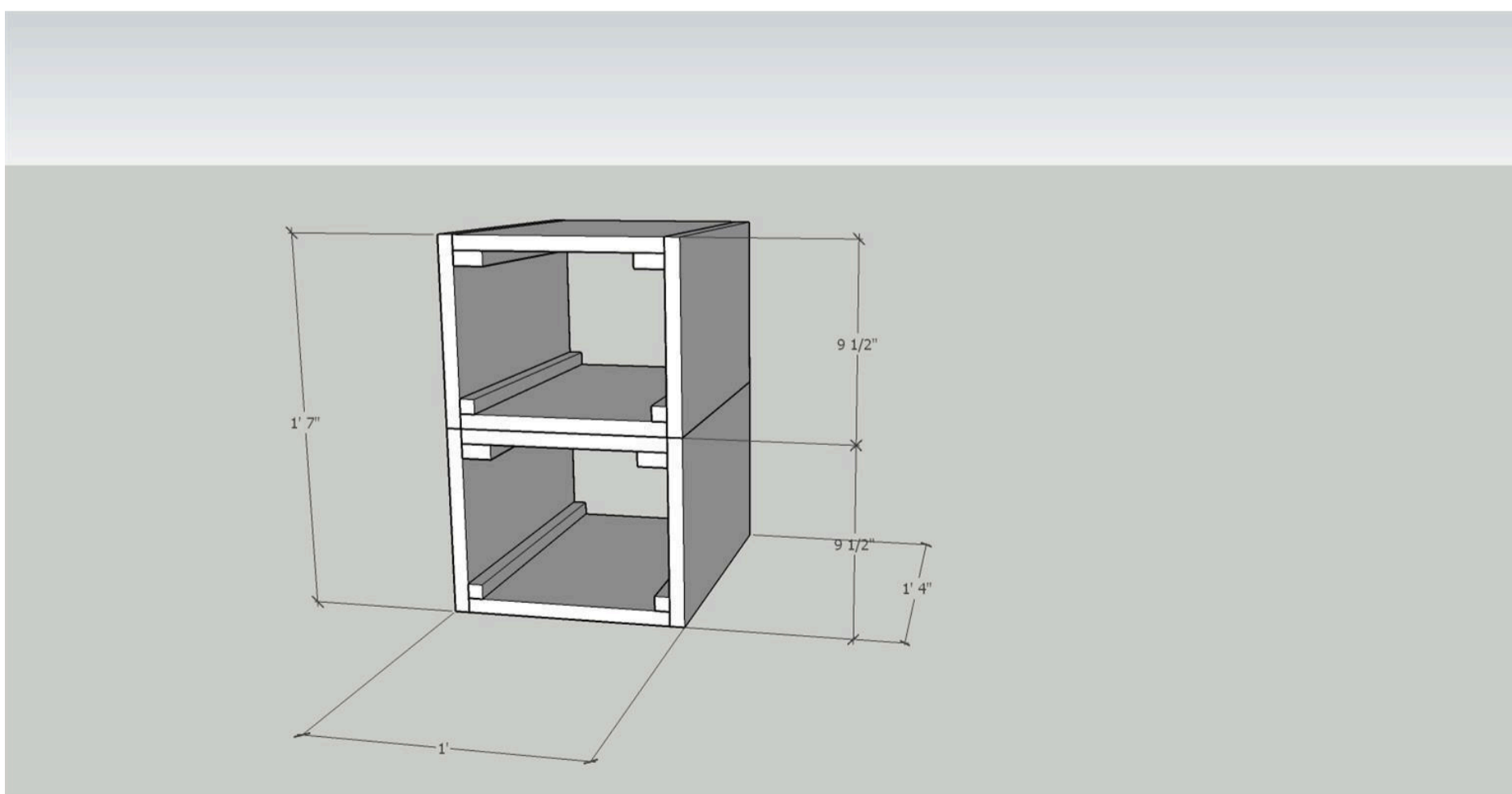
Construct drawer boxes with dimensions as shown.

Add  $3/4" \times 3/4"$  blocking at the bottom of each box by glueing and nailing. These are the guides for the drawer.

Add  $3/4" \times 1/2"$  blocking at the top of each box by glueing and nailing.

These are the guides to keep the drawers level as they are pulled out.

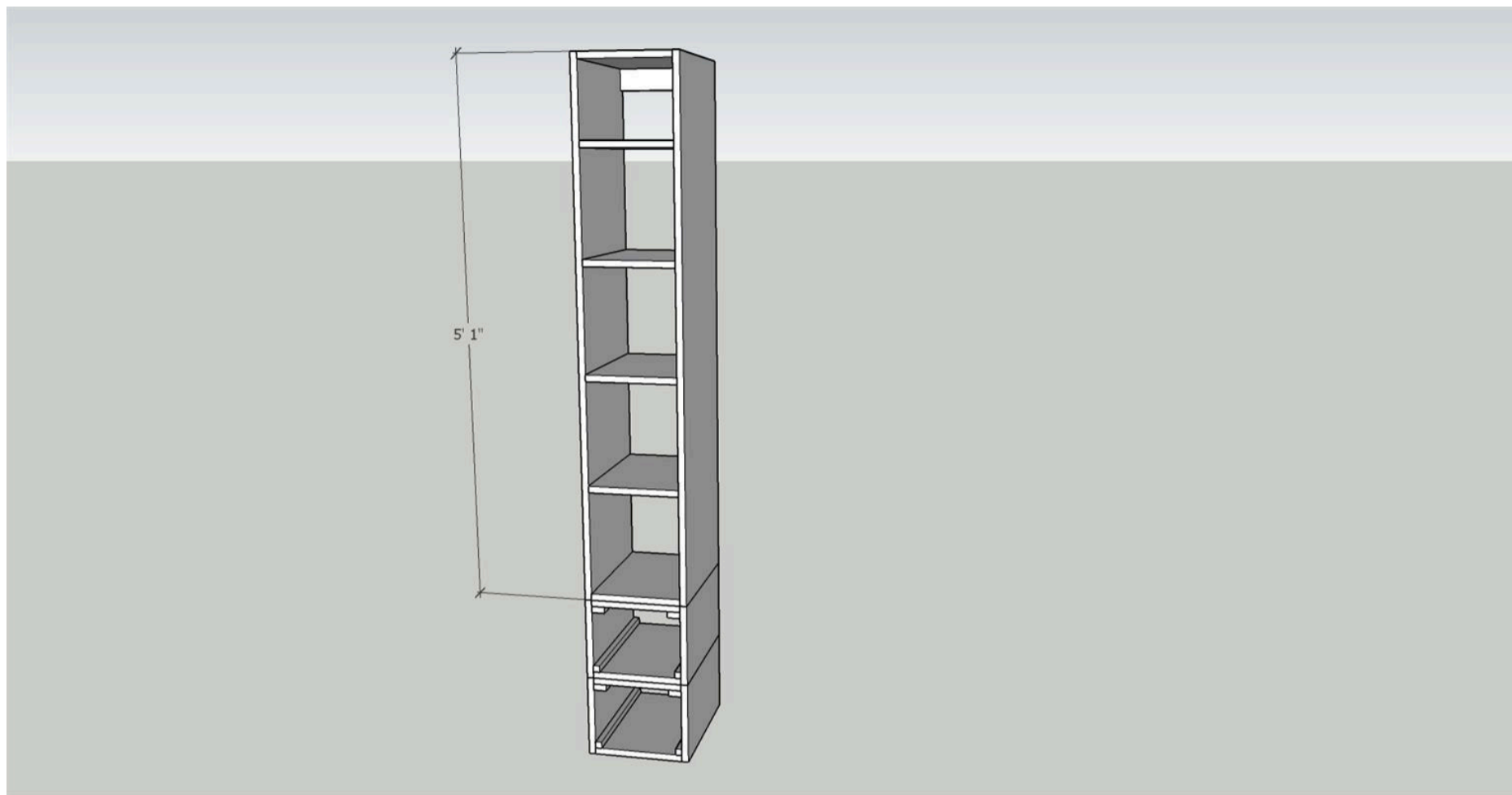
Screw the boxes together. I used (3)  $1\ 1/4"$  pocket hole screws front and back of the bottom box into the top box.



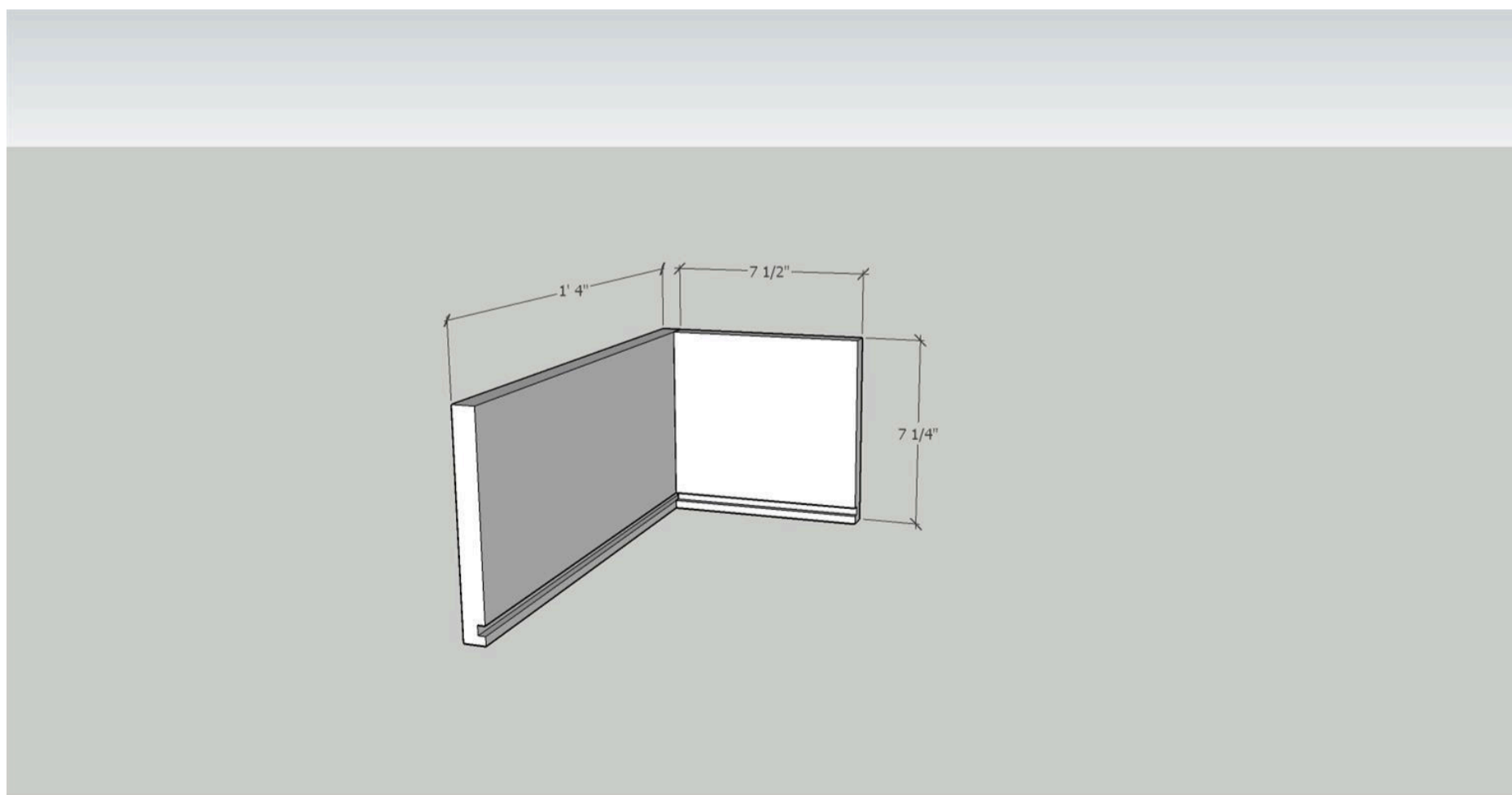
**7****Construct the shelf box**

Construct the shelf box with dimensions as shown. Join with pocket holes and 1 1/4" pocket hole screws in the top and bottom pieces.

I drilled shelf pin holes down each side of the sides of the plywood box so that we could have adjustable shelves. Screw the shelf box to the drawer box with (3) 1 1/4" pocket hole screws front and back from the top drawer box into the bottom of the shelf box.

**8****Construct the drawers**

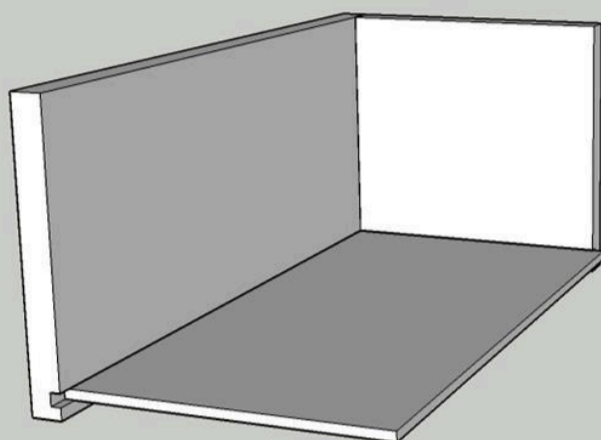
Cut four side pieces and 4 front/back pieces with dimensions as shown. Cut rabbit into bottom edge of all pieces.



9

### Add the plywood bottom

Install the plywood bottom to the drawer parts

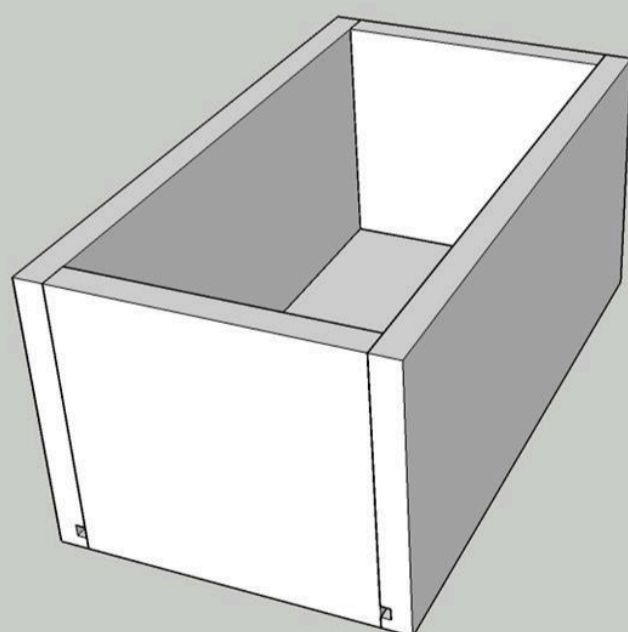


10

### Final assembly of drawers

Install the other side and back/front to the drawer box.

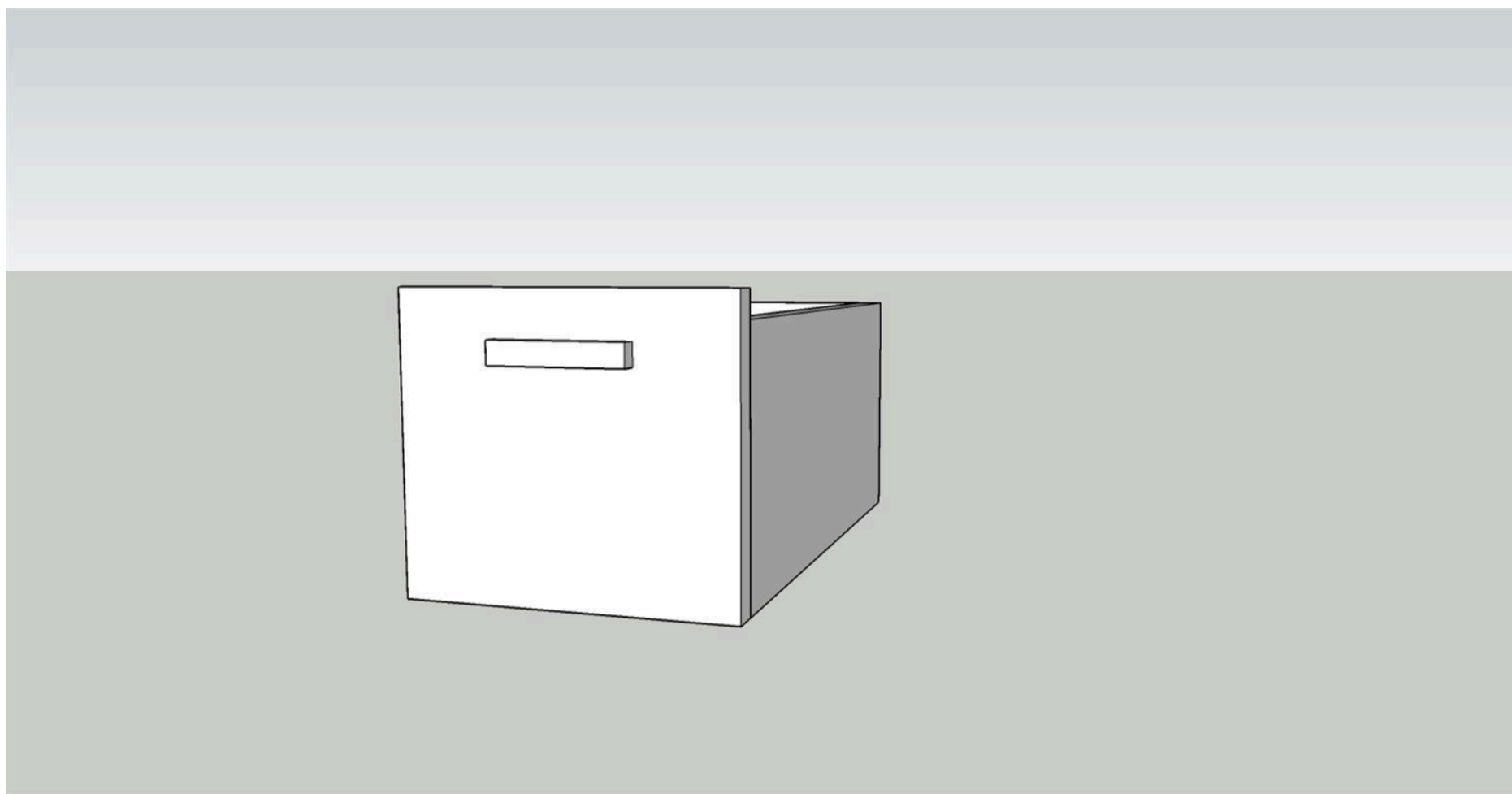
Assemble all with pocket holes and 1 1/4" pocket hole screws. Locate the screws so they are not visible when the drawers are completed.



11

### Add drawer front to boxes

Add a drawer front to the drawer boxes with dimensions as shown. Add your choice of hardware

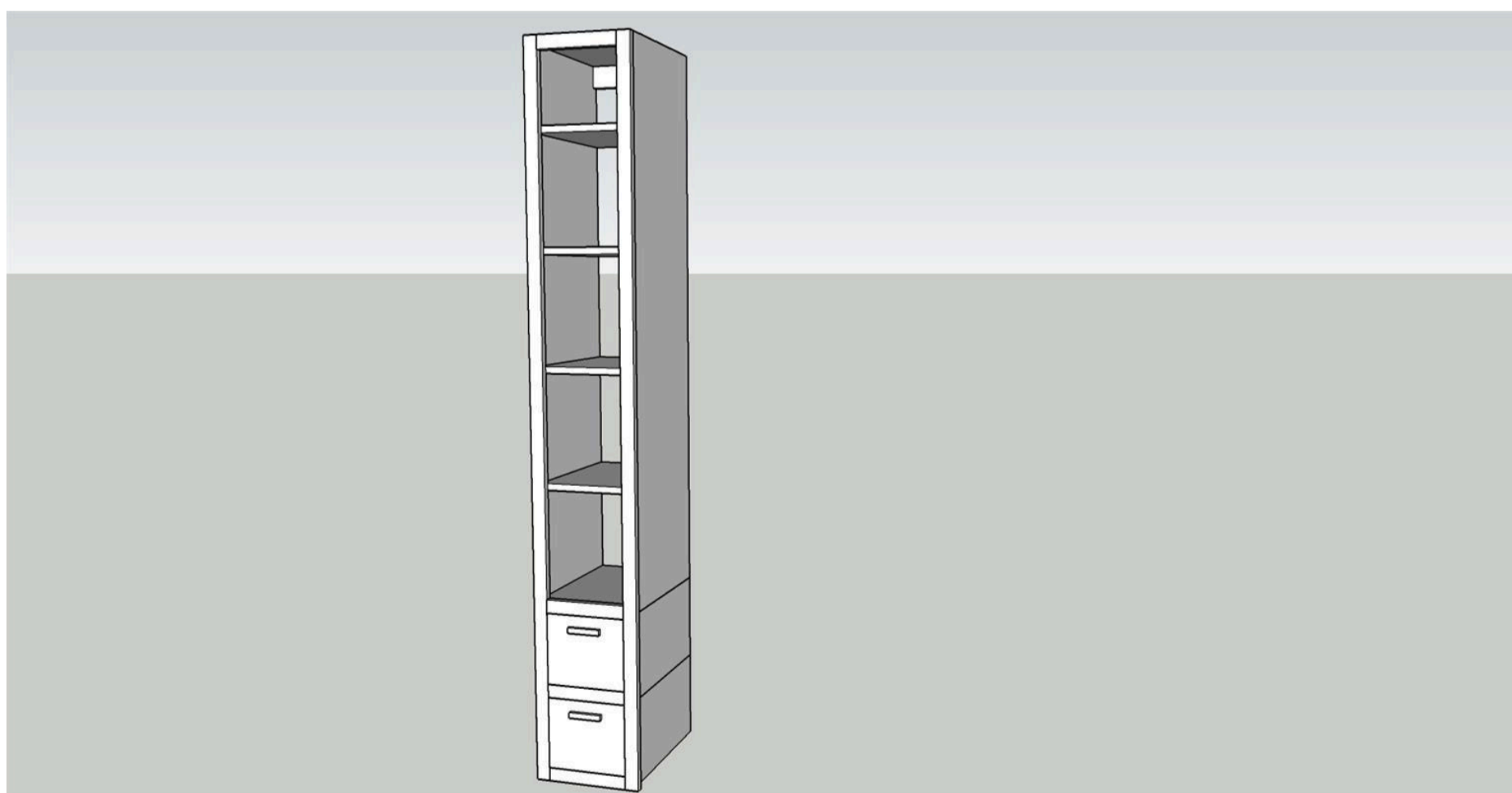


12

### Construct face frame/install drawer

Construct face frame for shelves and drawers as shown using 1x2 material.

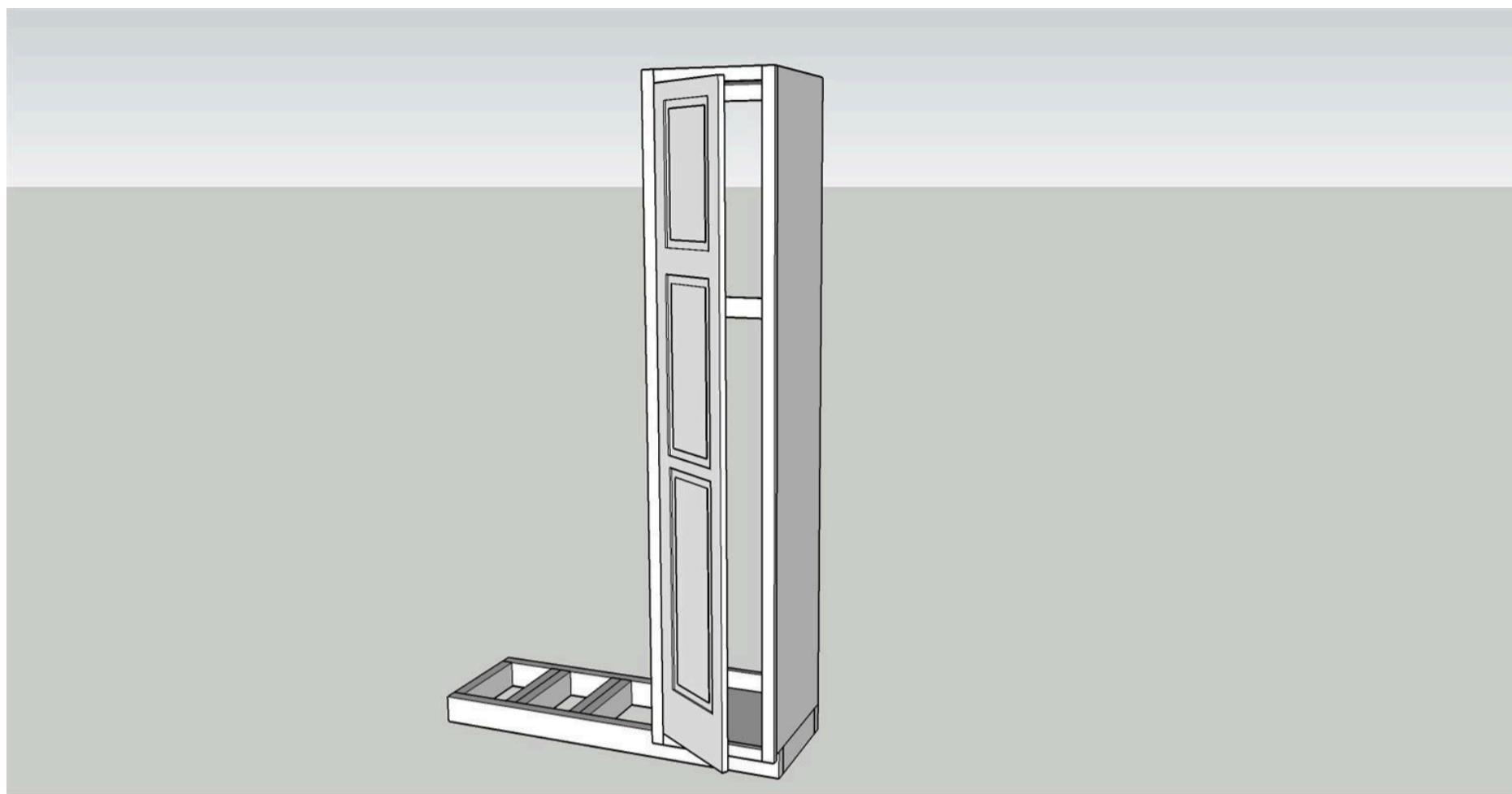
Join the face frame with pocket holes and 1 1/4" pocket hole screws and glue and nail to boxes



13

### Install the closet box

Install the closet box to the base with cabinet screws utilizing the top bottom and middle nailer.



14

### Install the shelf box

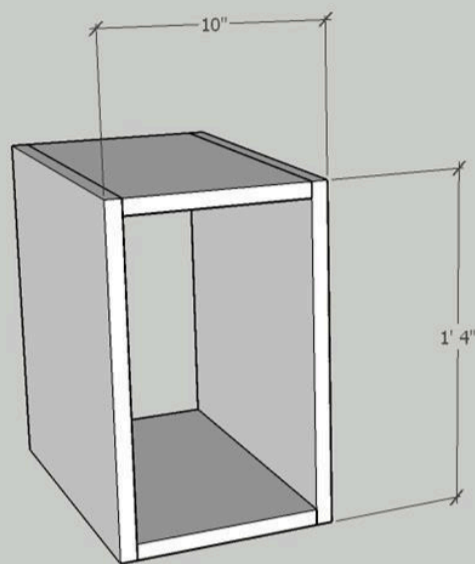
Install the shelf box utilizing cabinet screws into the nailers. Also screw the face frames together utilizing cabinet screws.



15

### Construct the shoe storage boxes

Construct the shoe storage box as shown. Join with pocket holes and 1 1/4" pocket hole screws. Install the screws so that they will not be visible.

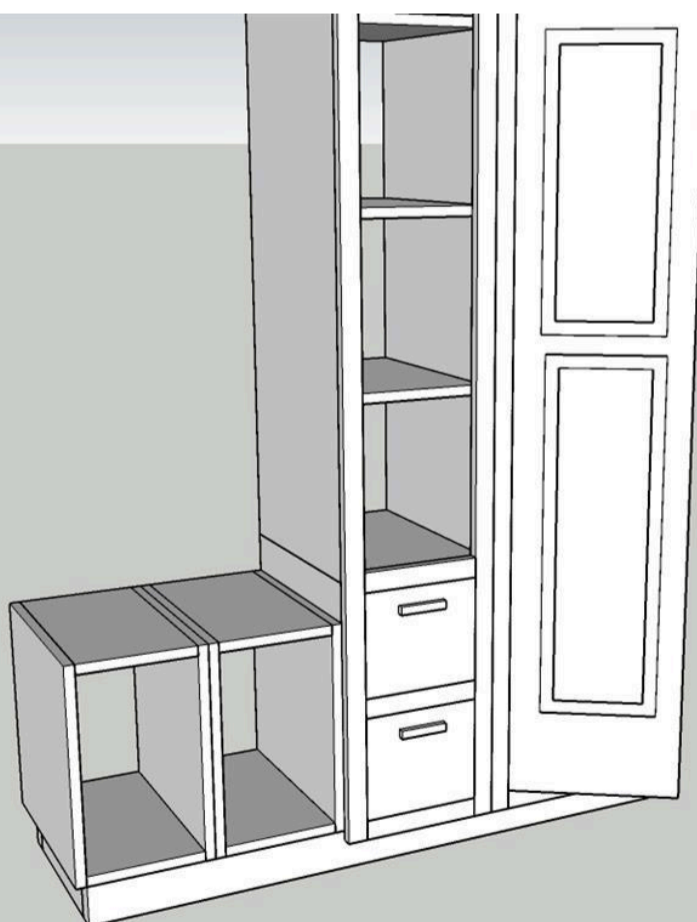


16

### Install the shoe boxes

Install the shoe boxes as shown. Join them together with (3) 1 1/4" pocket hole screws front and back from one box into the other.

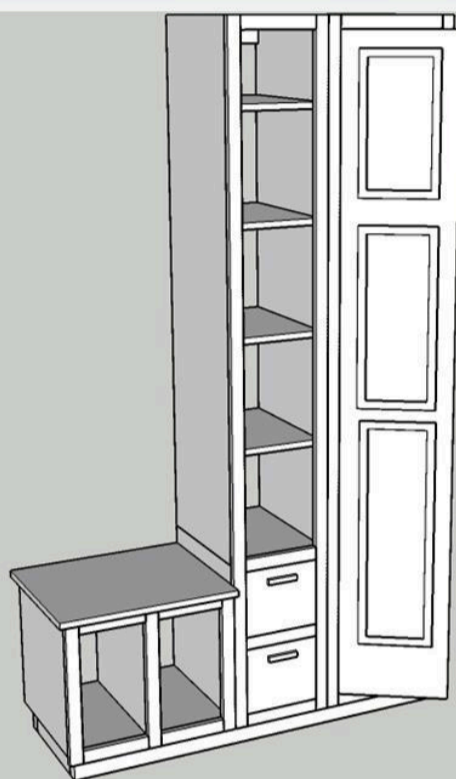
Also screw the boxes to the base with (2) 1 1/4" pocket hole screw front and back of the box



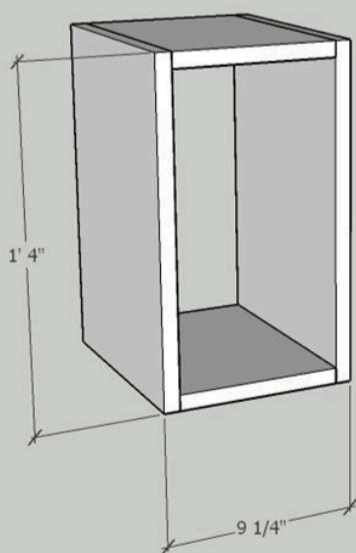


**17****Add face frame and bench top**

Add face frame for the shoe boxes of 1x2 material. Join the face frame with pocket holes and 1 1/4" pocket hole screws. Attach the face frame to the boxes with glue and nails. Install a bench top. The dimensions for the upper portion are based on using a piece of 3/4" material for the bench. I used a reclaim board that ended up 1 1/2" thick. Adjust the upper box accordingly based on your use of material. Screw the bench to the boxes with 1 1/4" screws thru the top of the box into the bench.

**18****Construct the upper boxes**

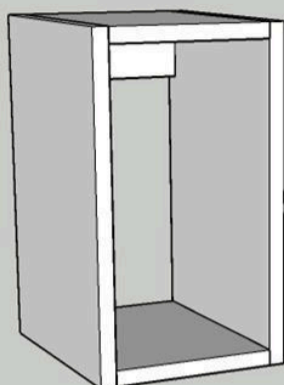
Construct the upper boxes with dimensions as shown.



19

**Add nailer**

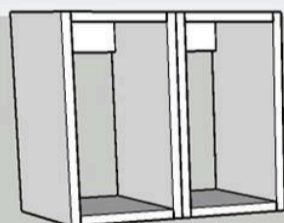
Add nailer to the back of the upper box.



20

**Join the two boxes**

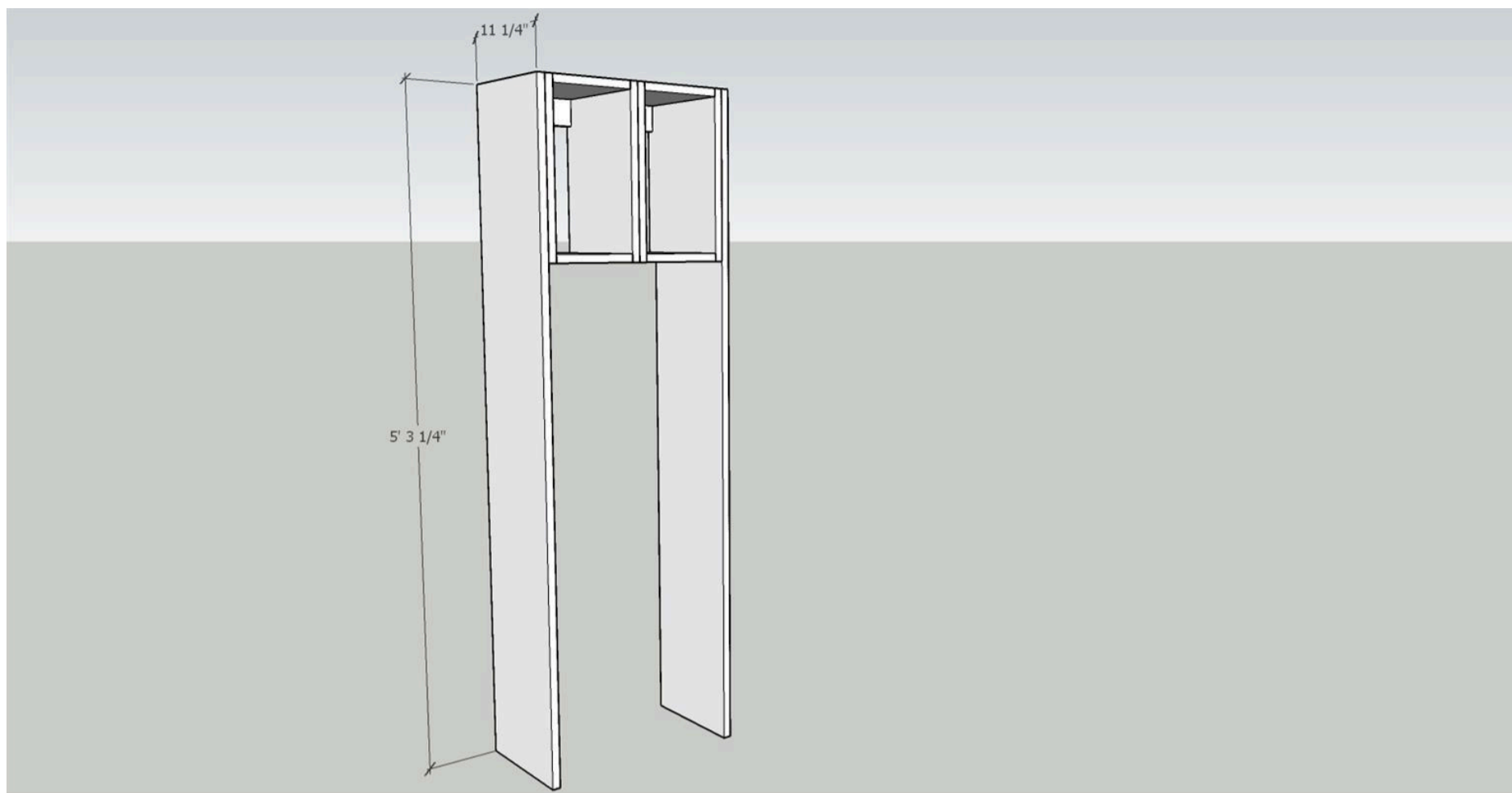
Join the two boxes. Use screws similar to the bottom boxes.



21

### Add side supports

Add side supports to the boxes as shown. Glue and nail to the boxes



22

### Install the top box assembly

Install the top box assembly utilizing cabinet screws into the nailer and pocket holes and 1 1/4" pocket hole screws into the bench top



**23****Add the face frame**

Construct a face frame utilizing pocket holes and 1 1/4" pocket hole screws. Attache to the upper assembly with glue and nails. Anchor the face frame to the adjoining shelf unit with cabinet screws thru the side of the face frame.

**24****Finish the unit**

Finish the unit by painting or stain....your choice.

I also lined the bottom shoe storage boxes with carpet squares cut to size and glued in place on the sides, back and bottom of each box.

**25****Seat area**

Install coat hangers on the rear area above the seat.

I used left over pieces of plywood, cut a rabbit in one edge and glued and nailed the pieces to the wall above the seat....looks similar to ship-lap.

You can do something similar, or install bead board, or just paint the wall.