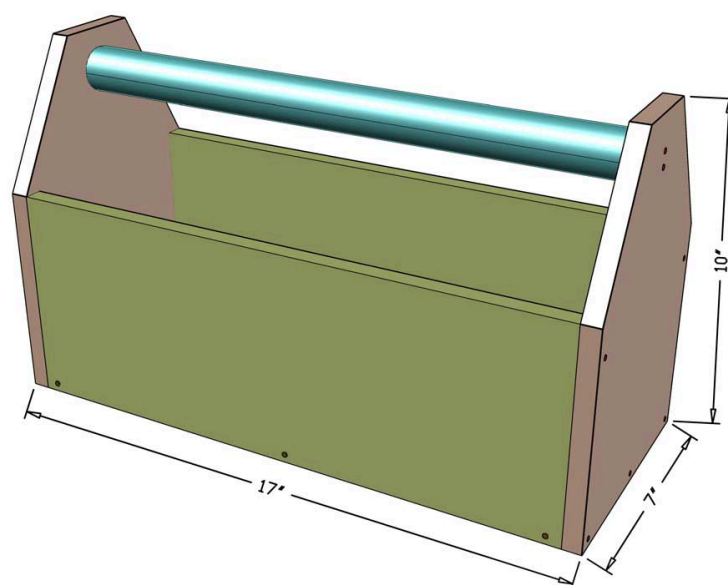


DIY Wooden Tool Box

Difficulty

Easy

Every so often my son asks me to give him a simple project to work on. So we both agreed to make a DIY Wooden Tool Box so that he could store and organize his future tools. Currently, he doesn't have many tools, but as he grows up he'll be able to help with more complicated projects.



Tools

Other Tools

Table Saw

Hammer

Materials

Wood Products

1 Plywood , 3/4" Thick , Half Sheet

Hardware & Supplies

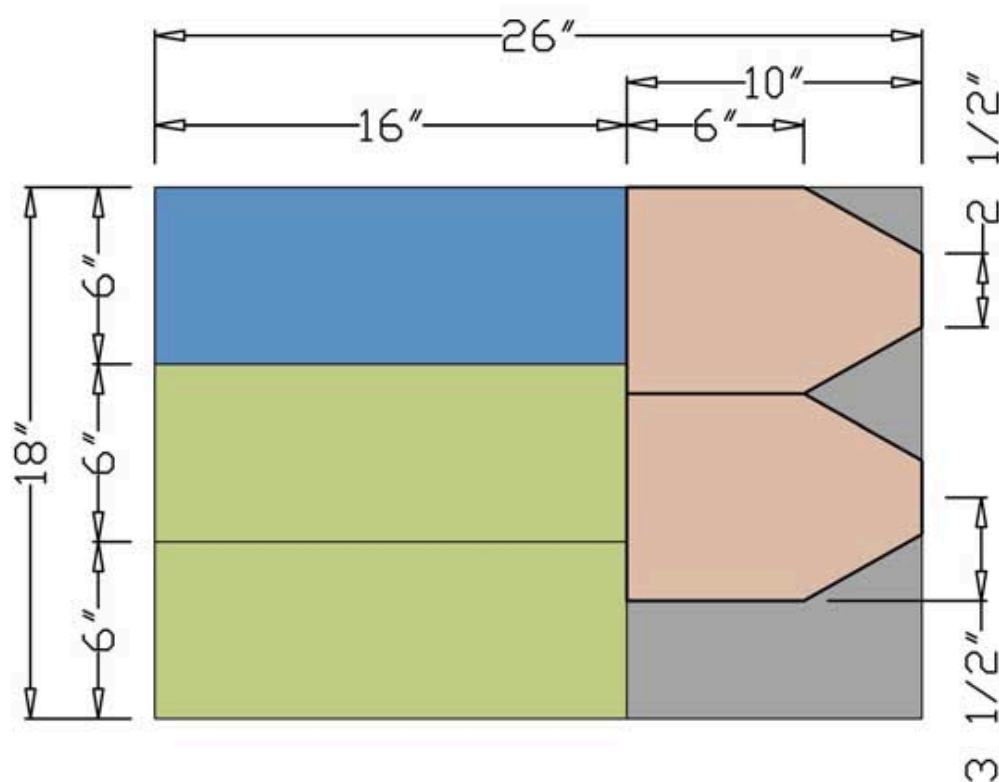
50 Finish Nails

Cut List & Parts

1 Plywood , 18"x26" - 1/2"

1 Dowel Rod , 1 1/4"

18"x26" - 1/2" PLYWOOD



1 1/4" ϕ WOOD ROD

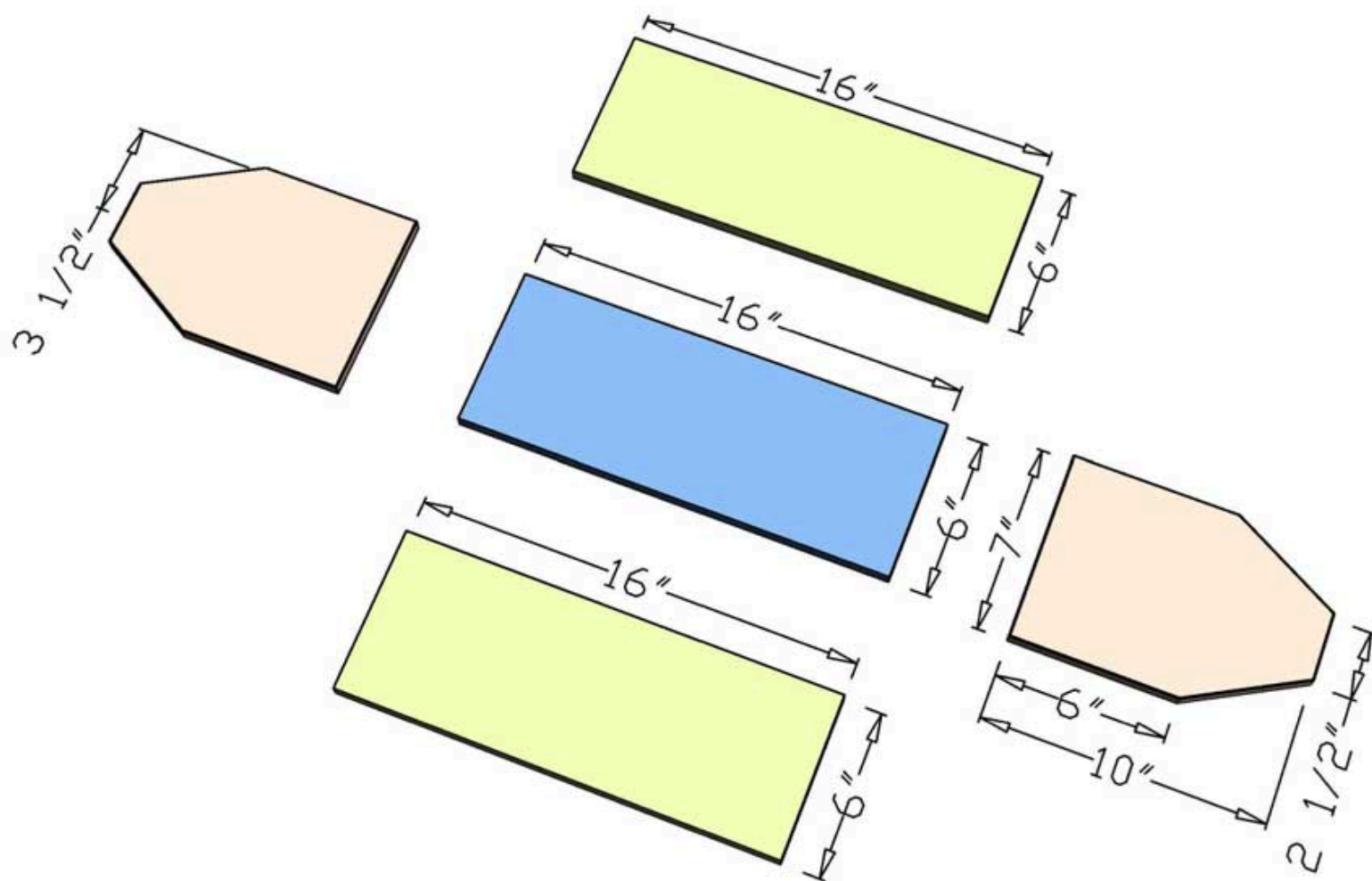


Directions

1

Step 1 - Cut all Pieces for Tool Bo

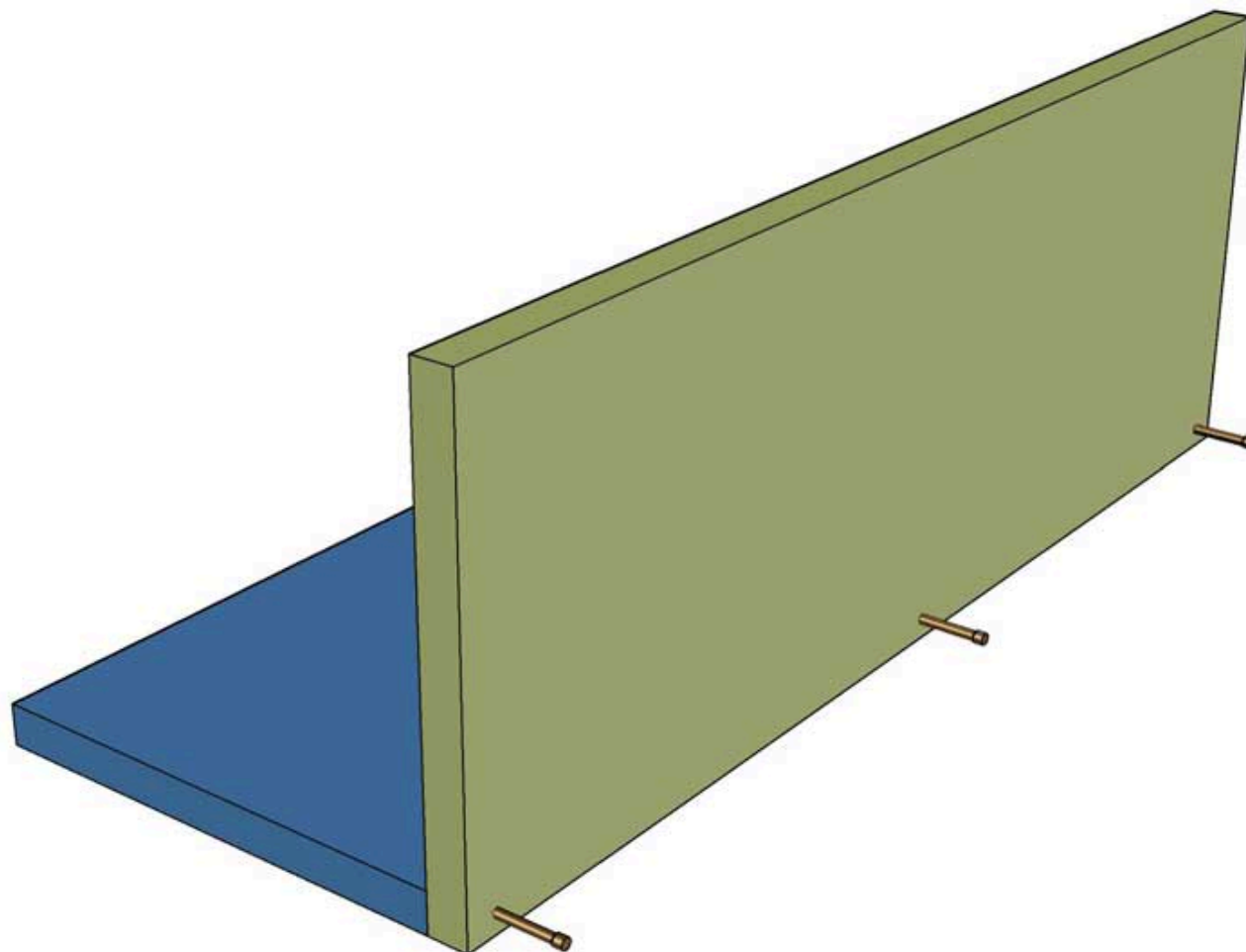
First, take 1/2" plywood and using a Table Saw cut all the pieces as shown on the picture. You will have one bottom, two side and two end pieces.



2

Step 2 - Nail Side Piece to Bottom

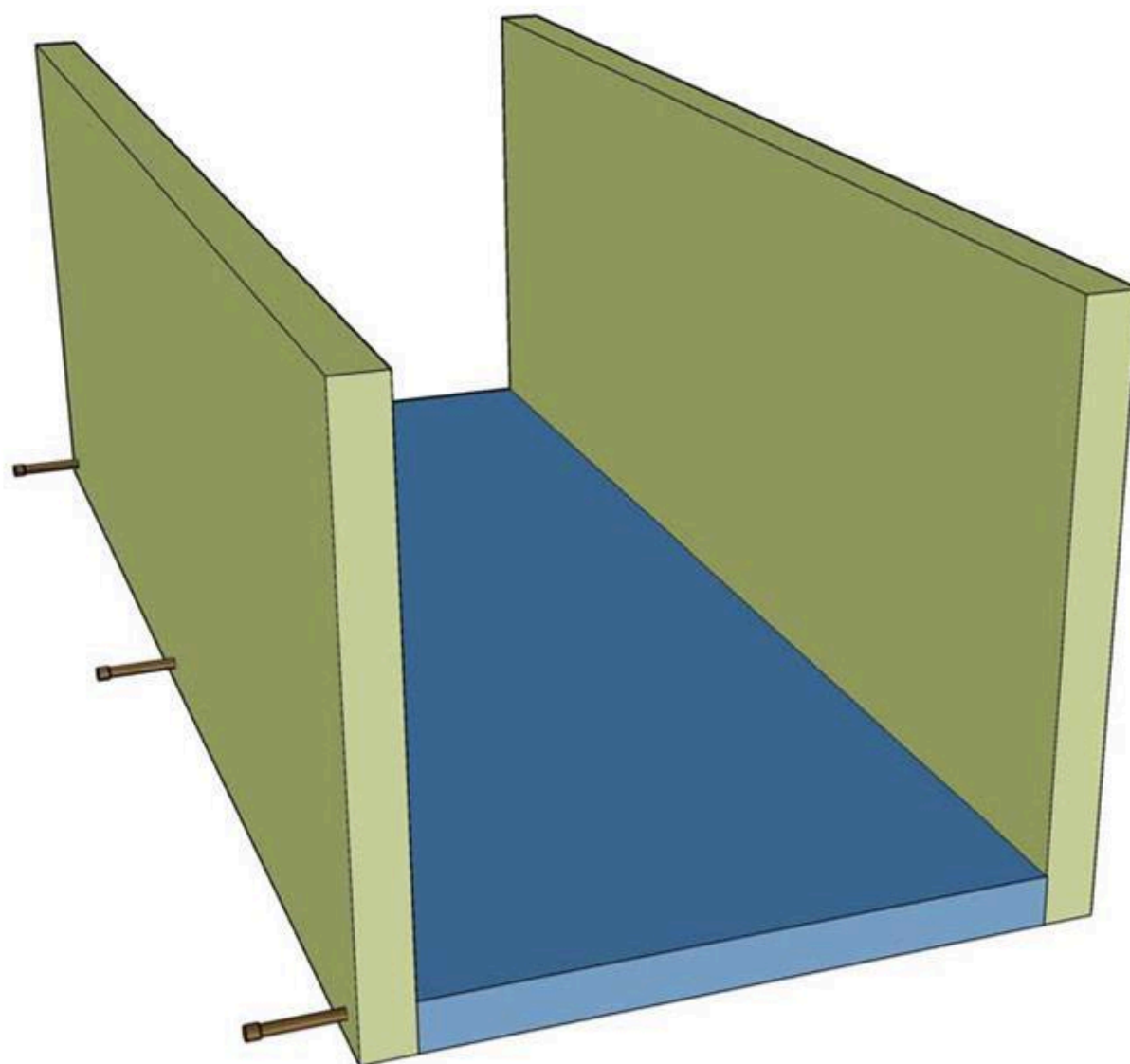
Now take one side piece and nail it to the bottom piece using finish nails.



3

Step 3 - Nail the Other Side Piece

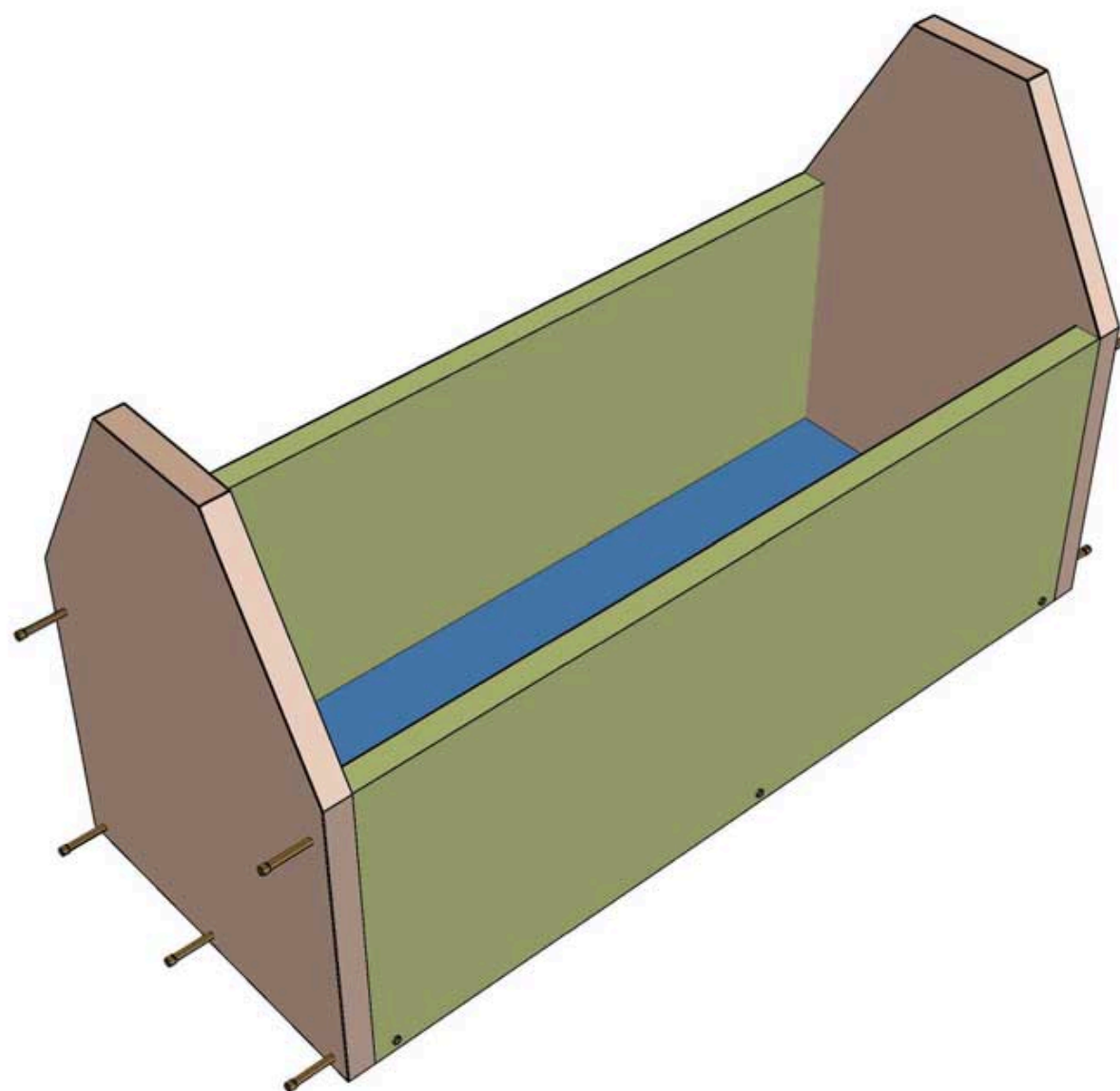
Then take the other side of the box and again nail it to the bottom piece.



4

Step 4 - Attach the End Pieces to t

After both sides are attached, nail both of the end pieces to the box.



5

Step 5 - Attach the Dowel Rod and P

And finally take the 1 1/4" wooden dowel rod and insert it between the two end pieces and nail it with finish nails. Use two nails per side so that the wooden dowel rod would not twist. Now you can paint it. That's all, you're done with this DIY tool box.

