

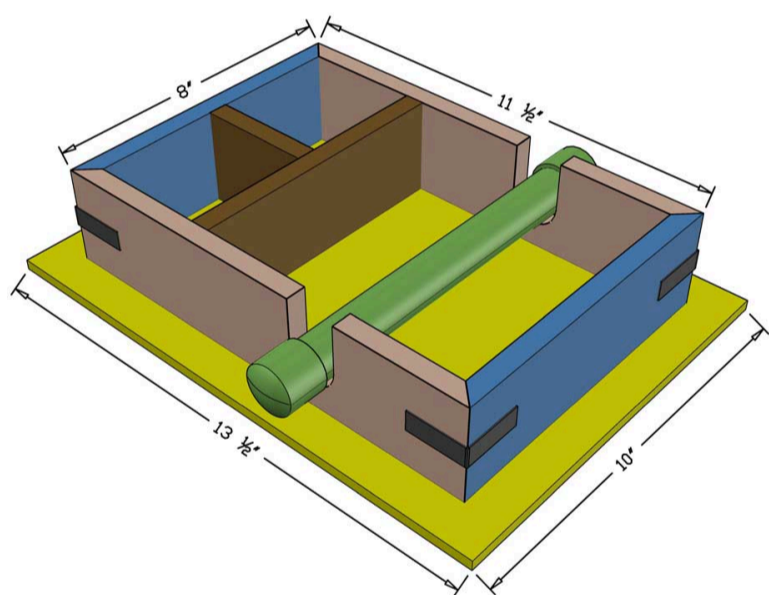
# DIY Napkin Holder

By **The DIY Plan**

Difficulty

Moderate

In my garage, I have a big pile of scrap wood left over from other projects. I didn't want to throw it away so I decided to build a small DIY Napkin Holder with salt and pepper compartments. This is a simple DIY project for a beginner to try and doesn't cost a lot of money to make it.



# Tools

## Other Tools

Miter Saw

Table Saw

Tape Measure

Drill (cordless)

Nail Gun

Phillips Screw Driver

Sander

# Materials

## Wood Products

**1** Plywood , 1x2 , Quarter Sheet

## Hardware & Supplies

**1** 3/4" PVC Pipe 10" Long

**2** 3/4" PVC End Caps

**4** Metal Angles

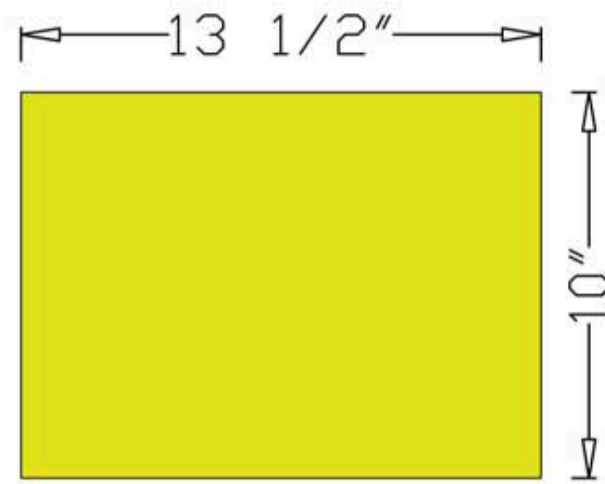
**1** Wood Glue

# Cut List & Parts

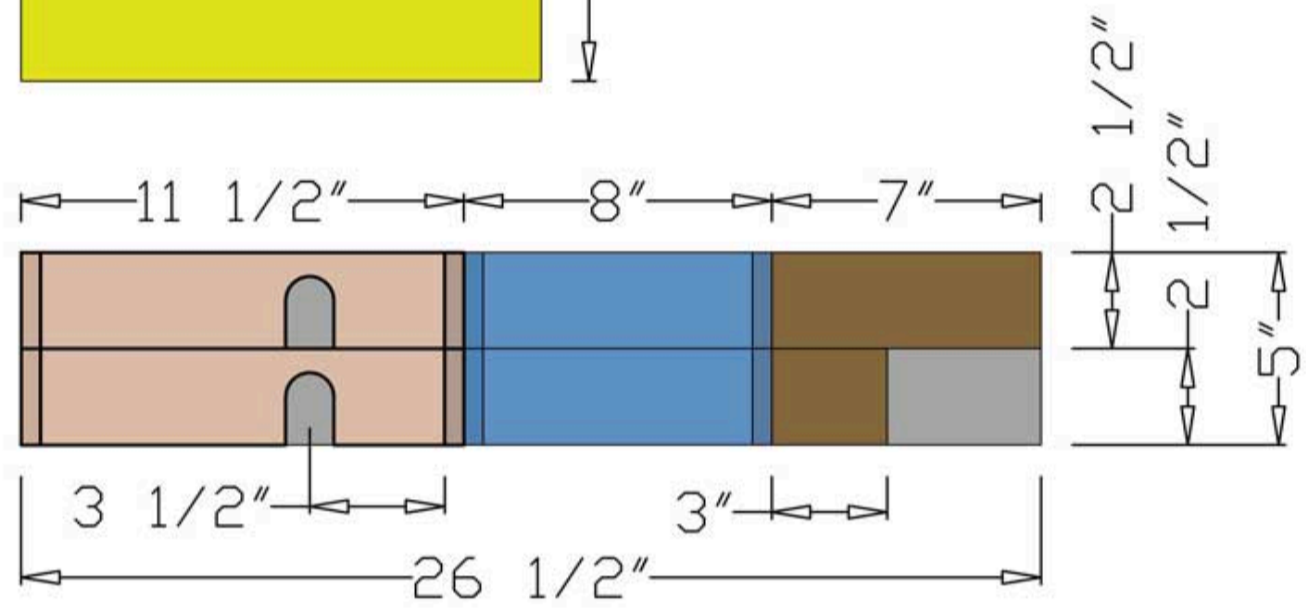
1 Plywood , 13 1/2" X 10" - 1/4"

1 Plywood , 26 1/2" X 5 1/2" - 1/2"

1/4" PLYWOOD



1/2" PLYWOOD

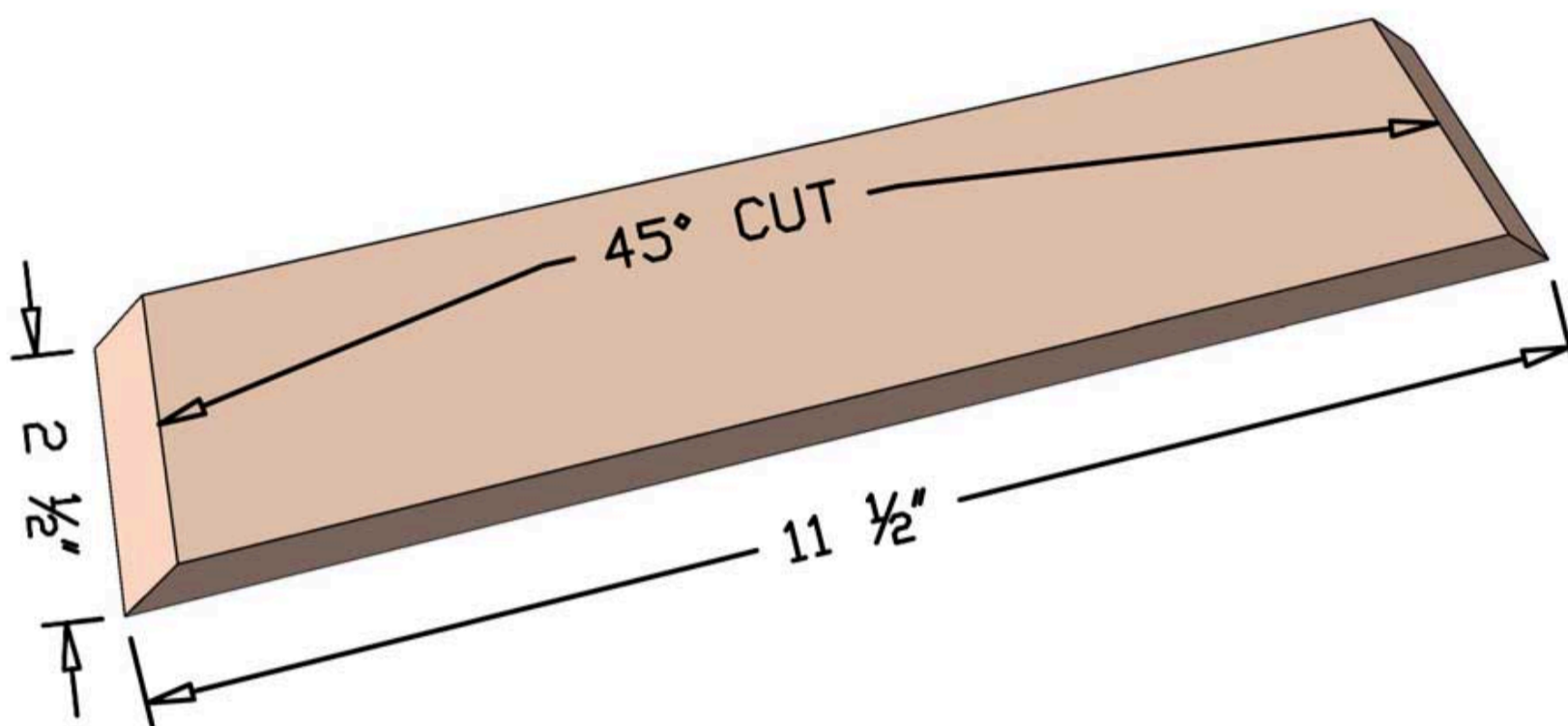


# Directions

1

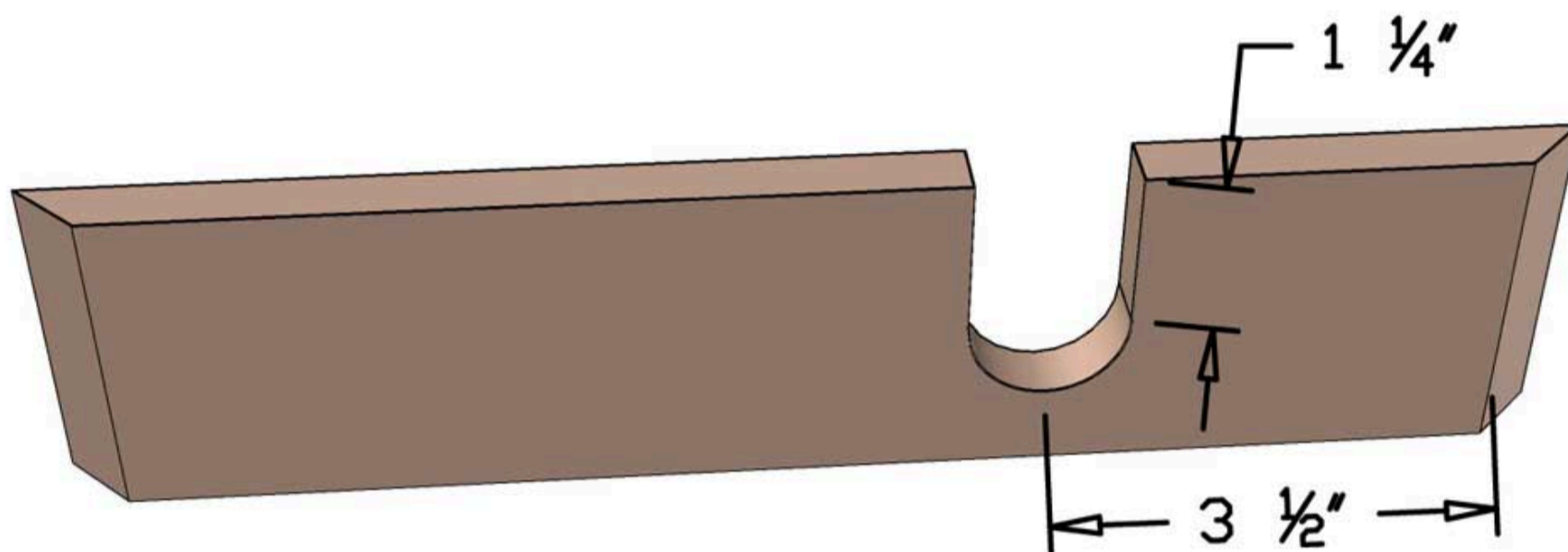
## Step-1 Cut Two Sides of a Napkin Ho

Take  $\frac{1}{2}$ " plywood and with a Table Saw cut two  $2\frac{1}{2}$ "x $11\frac{1}{2}$ " pieces with a 45 degree cut on the  $2\frac{1}{2}$ " side.



**2****Step-2 Drill a Hole Thru Both Sides**

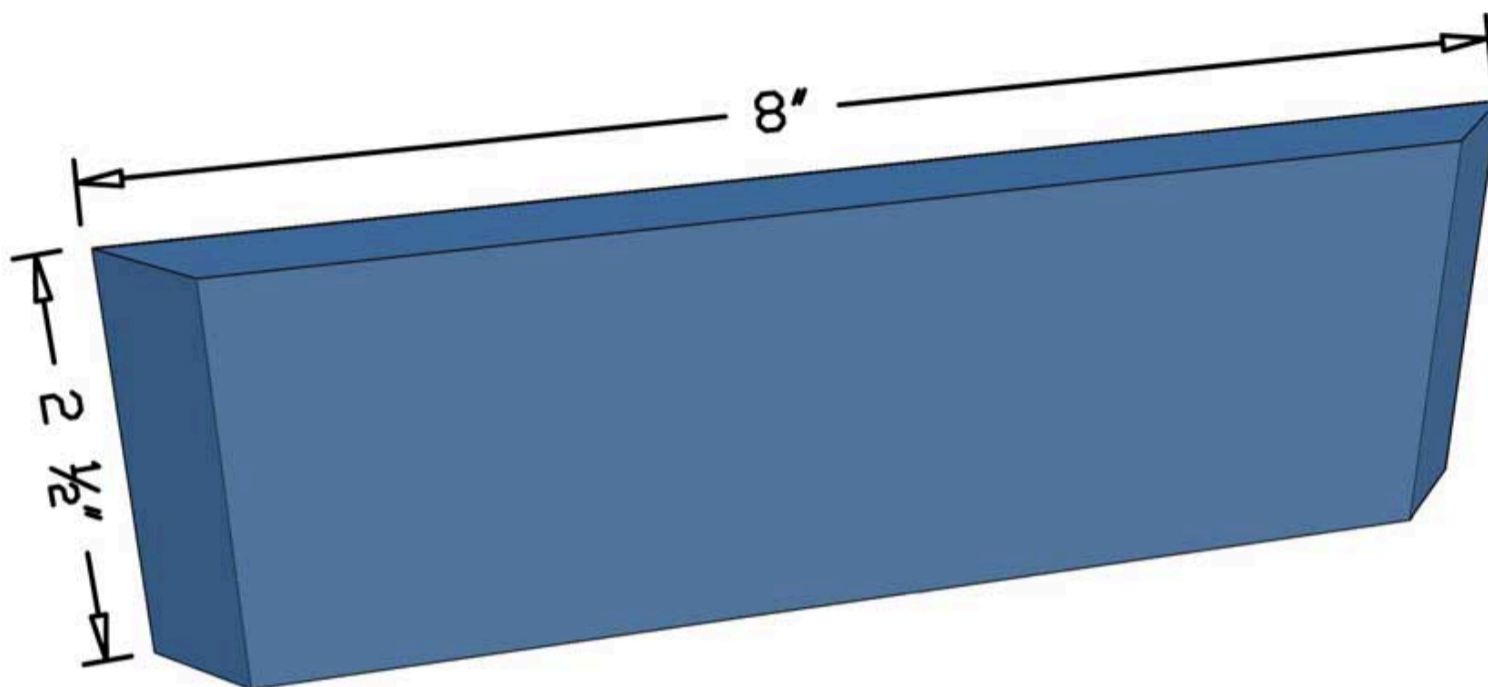
From the inside of the 45° cut, measure and mark 3 1/2". Then from the top of the board measure and mark 1 1/4". This will be the center of the hole. Using a 1 1/4" hole saw bit drill a hole in the center of the mark. Then cut from top of the board to the hole opening with a jig saw. Do this for both boards.



3

**Step-3 Cut the Smaller Sides of the**

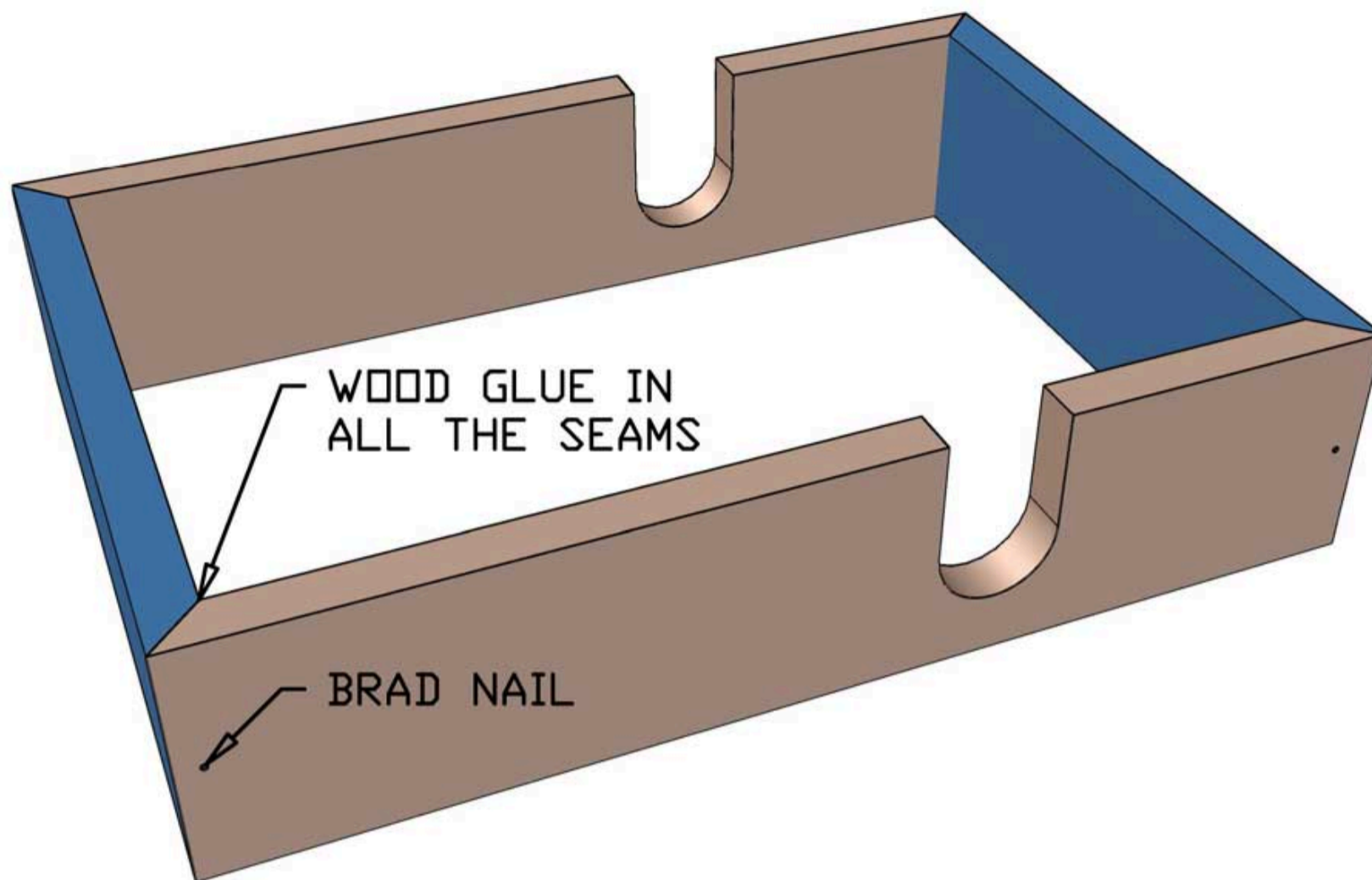
Similar to step one, take 1/2" plywood and cut two boards to 2 1/2" x 8" with 45° cut on the 2 1/2" side.



4

#### Step-4 Attach all Sides Together

Using the random orbital sander lightly sand the pieces to eliminate any rough edges. Then apply Wood Glue in the seams and attach the pieces together using Nail Gun with 1 ¼" brad nails. I only had one nail in the center of the board.

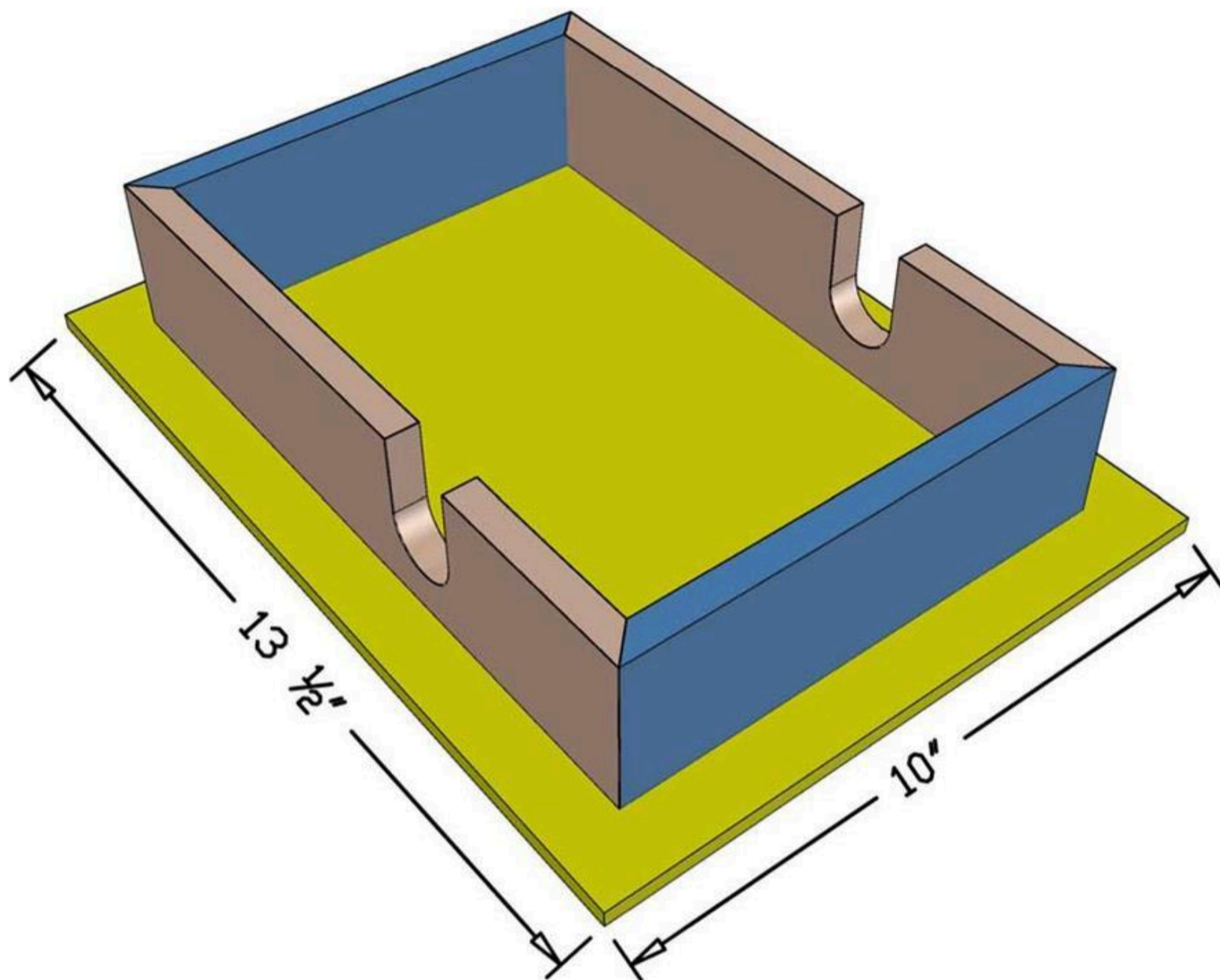




5

### Step-5 Cut 1/4" Plywood for Bottom

Now take 1/4" plywood and cut a 13 1/2" x 10" piece. Then place frame of the napkin holder on top of this 1/4" plywood making sure its aligned in the center. Apply Wood Glue between plywood and frame and clamp it together. Let the glue dry.

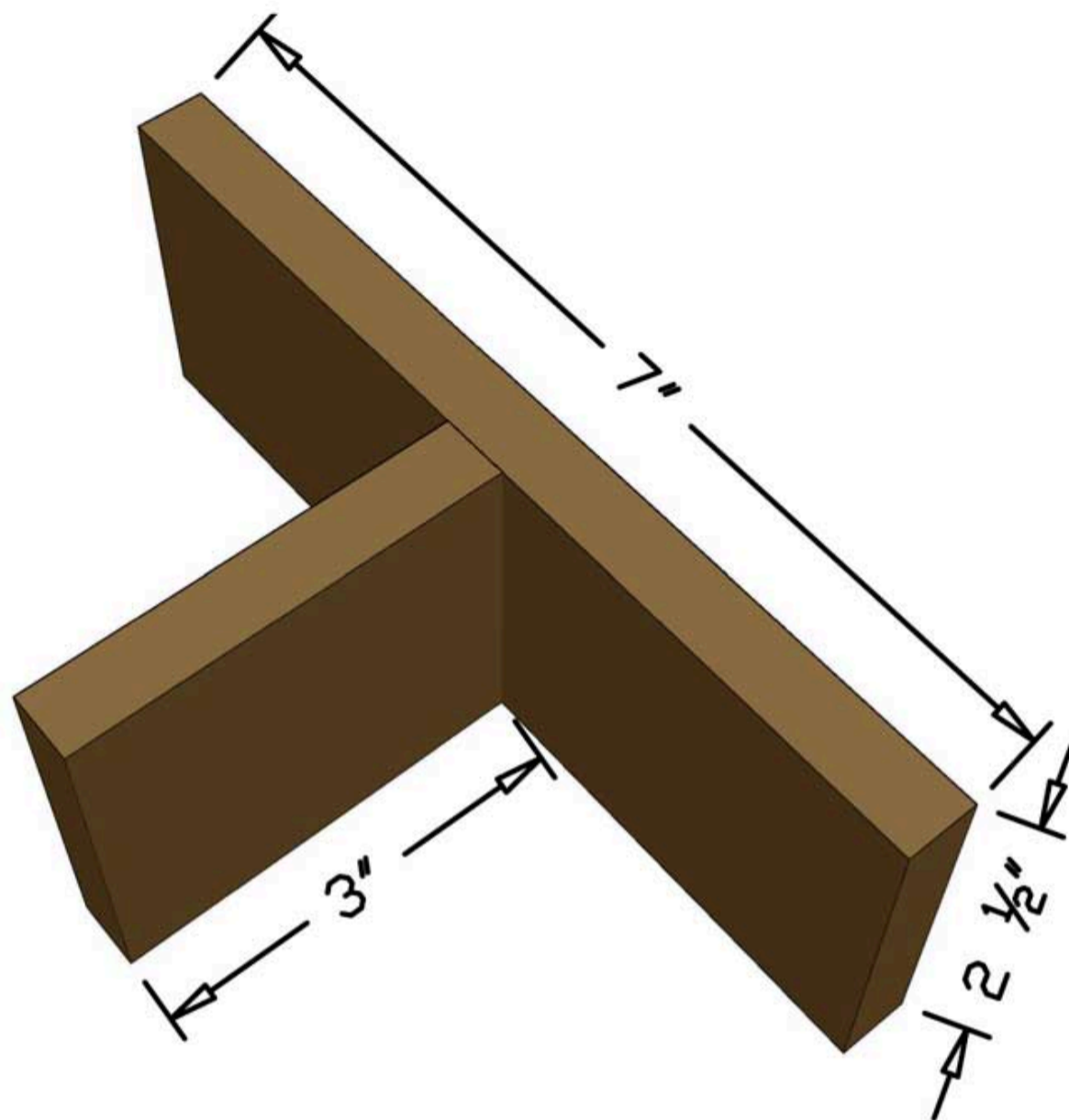




6

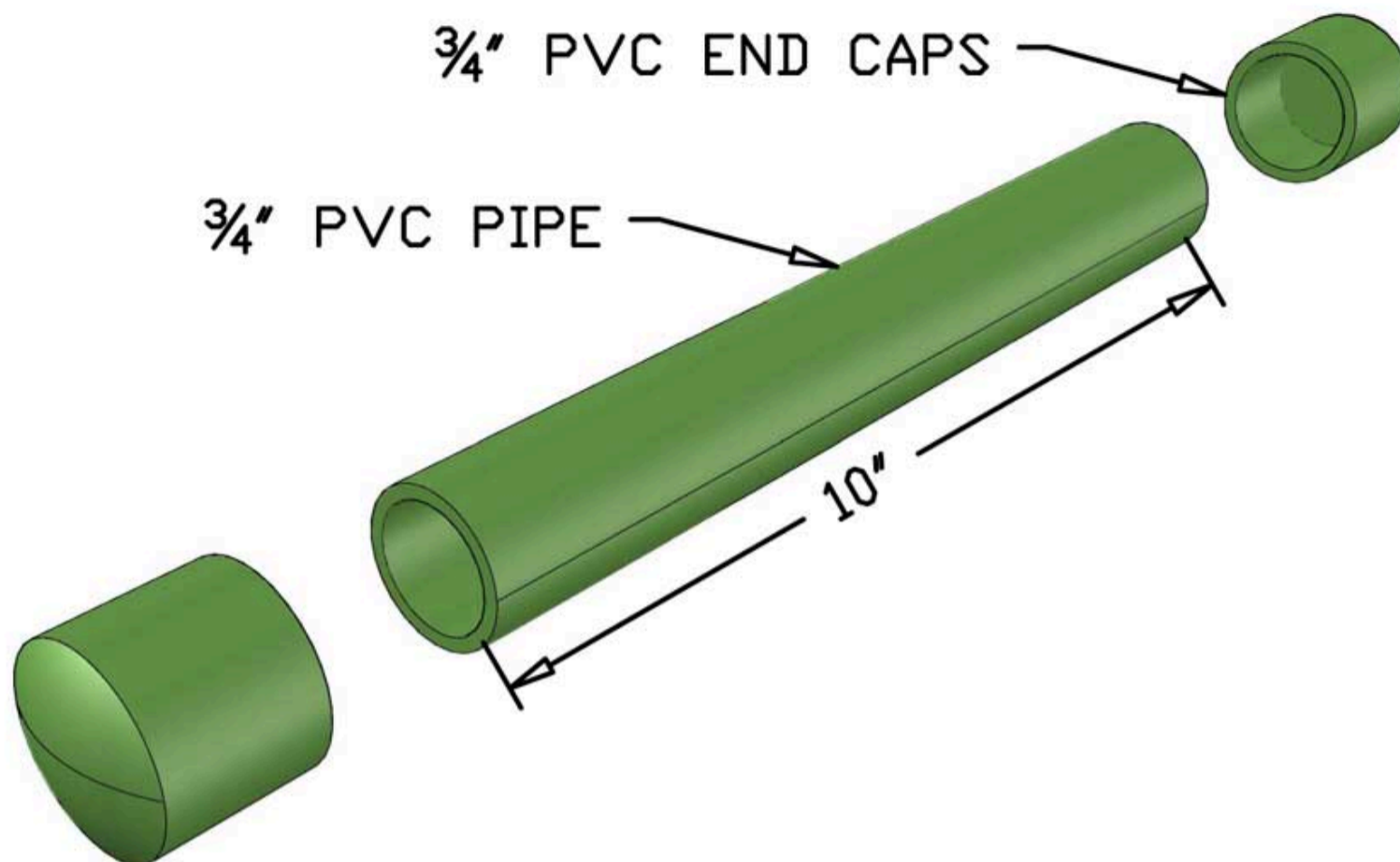
### Step-6 Make a Divider for Salt and

To make a divider for the salt and pepper, cut one 7" x 2 1/2" piece and one 3" x 2 1/2" piece. Glue both pieces together as shown on the picture. This will be inserted in the napkin holder after it's stained.



**7****Step-7 Cut PVC Pipe for Napkin Hold**

Take a 3/4" PVC pipe and cut it to 10" in length. Then slide both PVC end caps on both ends.



8

### Step-8 Finish by Staining and Paint

Stain and paint all the pieces including the PVC pipe. Once everything is stained, insert the salt and pepper divider inside the napkin holder frame and nail it using a Nail Gun. Then attach the decor metal pieces on each corner. You're done with this DIY napkin holder.

