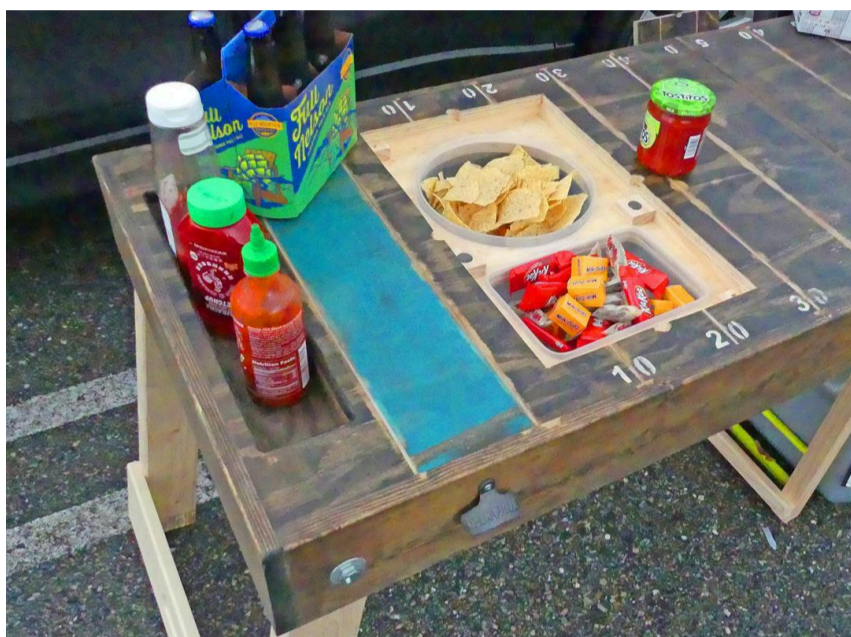
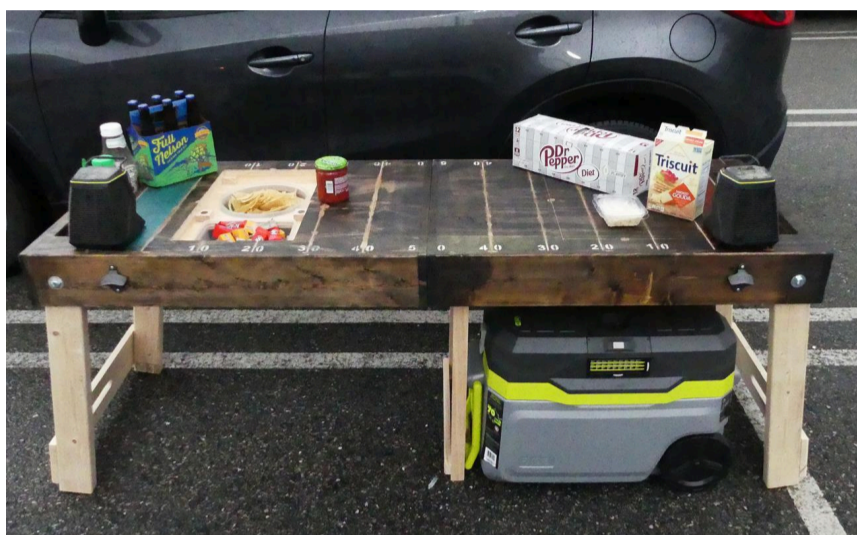


Ultimate Folding Tailgate Table

By **Lazy Guy DIY**

Difficulty
Moderate

Need to step up your tailgating game? Score big with this custom party table that has bottle openers, storage for food and drinks and oh yeah, folds in half for easy transport. It's enough to make any gridiron fan jealous.



Tools

Kreg Tools



Accu-Cut™



Kreg® Pocket-Hole Jig 720

Other Tools

Circular Saw (cordless)

Jigsaw

Miter Saw

Square

Tape Measure

Drill (cordless)

Impact Driver

Router

Sander

Materials

Wood Products

1 Plywood , 3/4" Thick , Half Sheet

3 Board , 1x6 , 96"

2 Board , 1x2 , 72"

2 Board , 1x3 , 72"

2 Board , 2x4 , 96"

1 Board , 2x2 , 96"

1 Board , 1x4 , 48"

Hardware & Supplies

2 3" T- Hinge

4 1/2" X 4' Bolt

4 1/2" Nut

4 1/2" Washer

2 Bottle Openers

1 Piano Hinge

Cut List & Parts

- 2 Plywood Top , 3/4" X 24" X 36"
- 4 Table Ends , 1" X 6" X 25.50"
- 4 Table Sides , 1" X 6" X 36"
- 4 Condiment Bin End , 1" X 3" X 5"
- 4 Condiment Bin Side , 1" X 3" X 17"
- 2 Condiment Bin Bottom , 1" X 4" X 17"
- 2 Food Bin Cut Out , 3/4" X 11.75" X 17.50"
- 4 Food Bin Side , 1" X 2" X 19"
- 4 Food Bin End , 1" X 2" X 11.75"
- 4 Main Leg , 2" X 4" X 29.50"
- 2 Main Leg Cross Brace , 1" X 6" X 24"
- 2 Secondary Leg , 2" X 2" X 28.50"
- 1 Secondary Leg Cross Brace , 1" X 2" X 21"

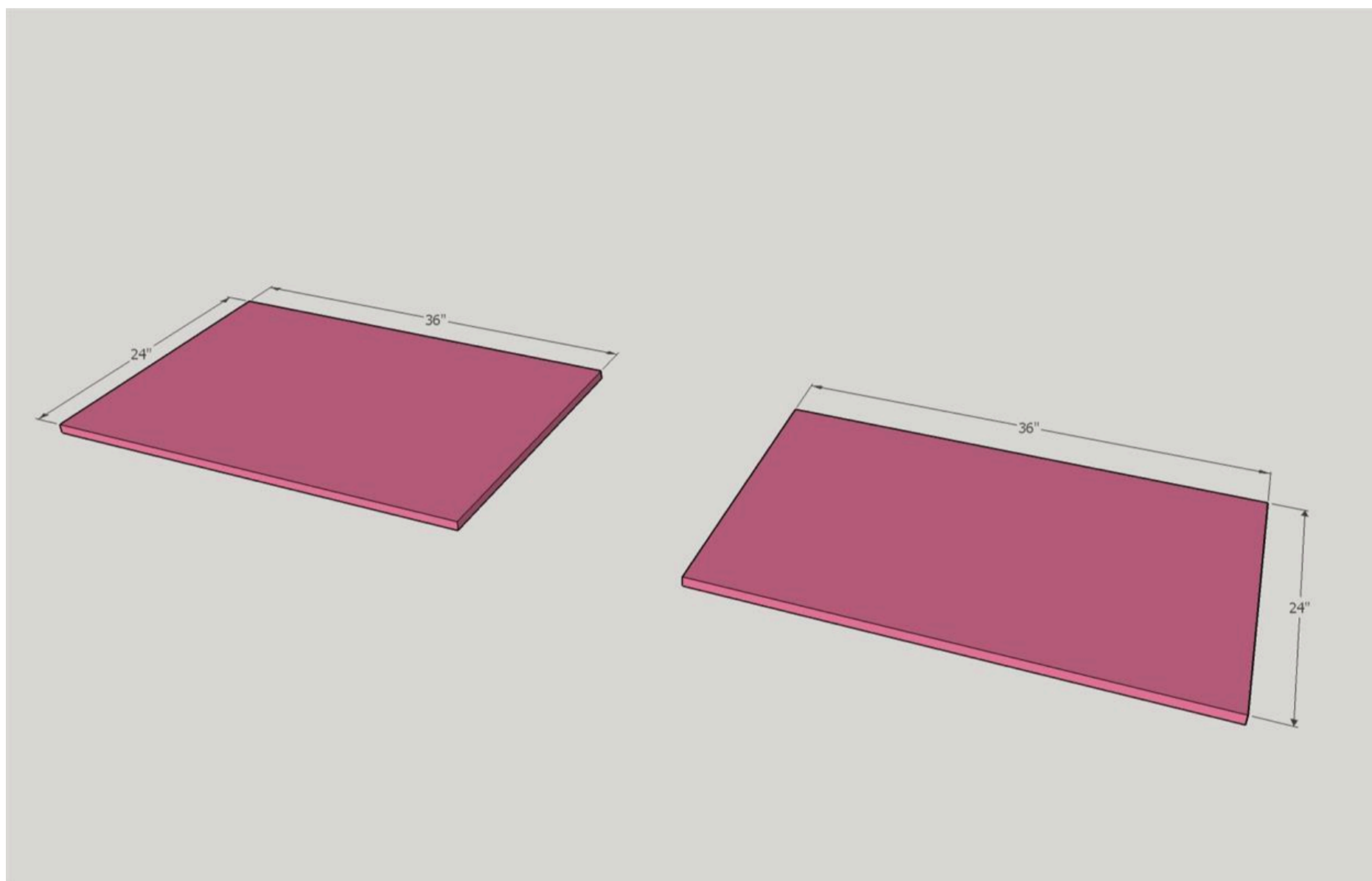
Directions

1

Table Top

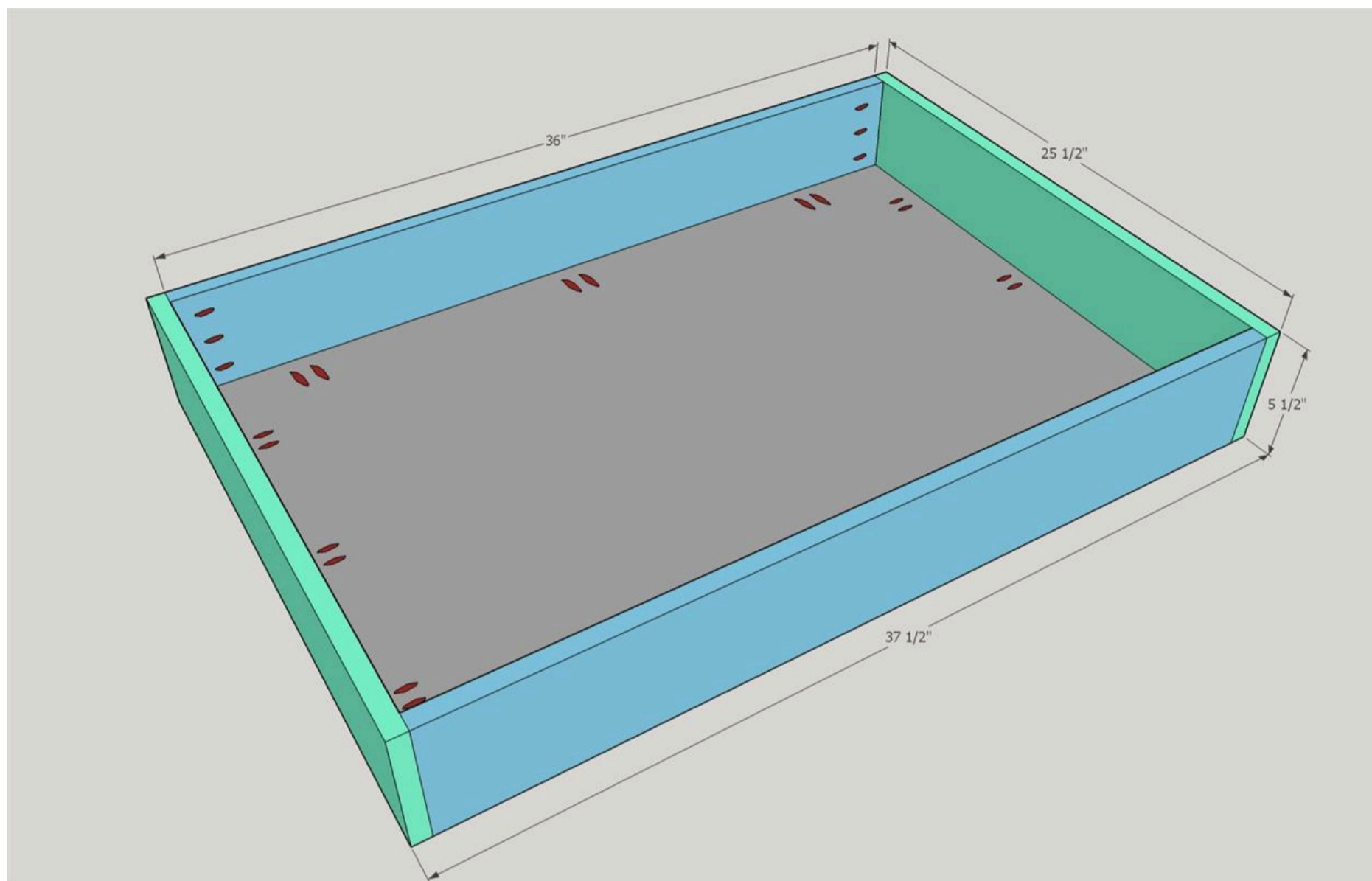
Cut two sheets of 3/4" plywood to 24" x 36" Pre-drill 3/4" pocket holes to attach sides with 1-1/4" pocket screws in step 2.

For optional epoxy filled field lines, visit www.LazyGuyDIY.com



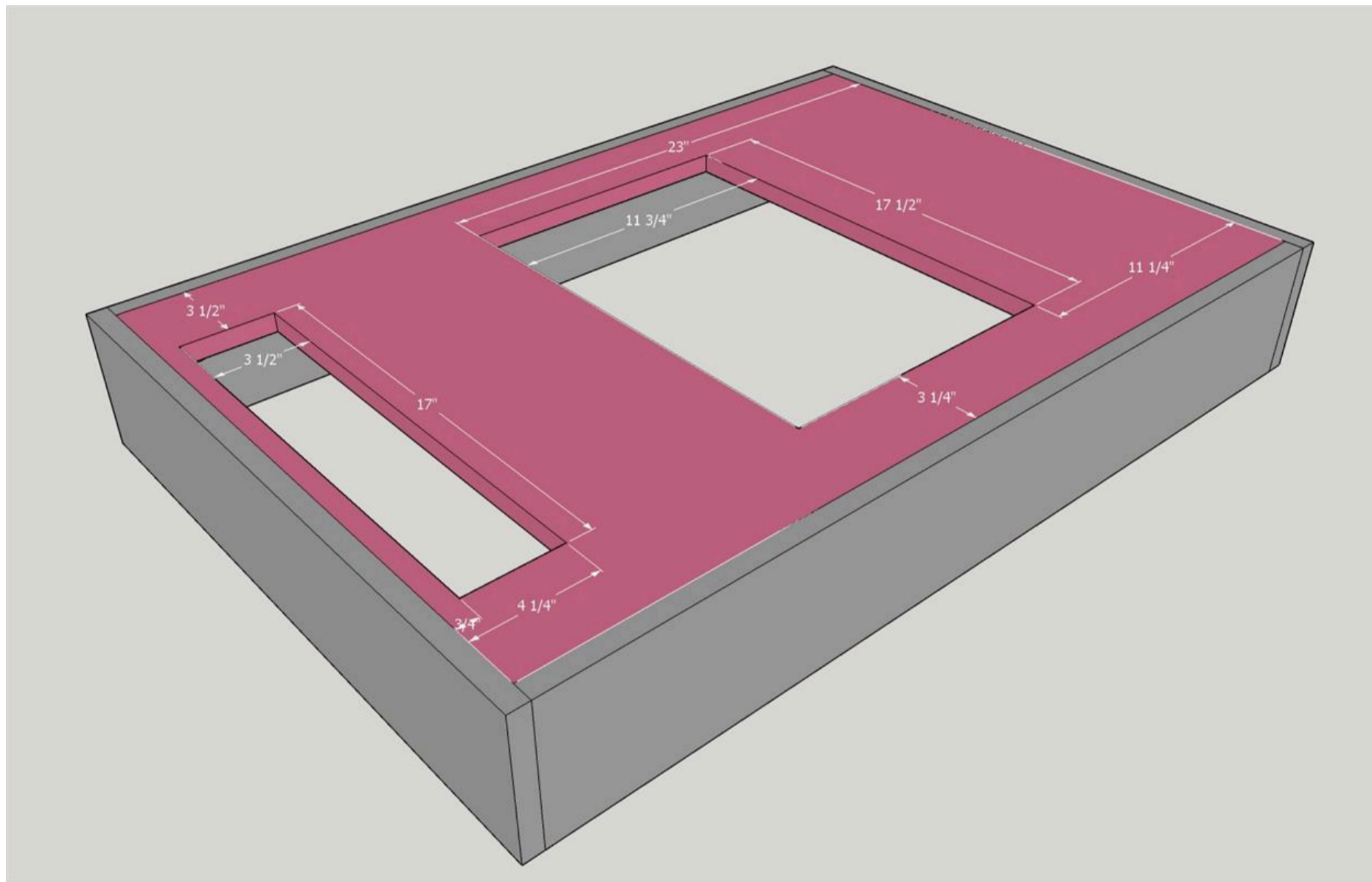
2**Table Sides**

For each half of the table, cut (2) 1" x 6" x 25.50" & (2) 1" x 6" x 36". Pre-drill 3/4" pocket holes for 1-1/4" pocket screws. Attach to 24" x 36" plywood top for both tables.



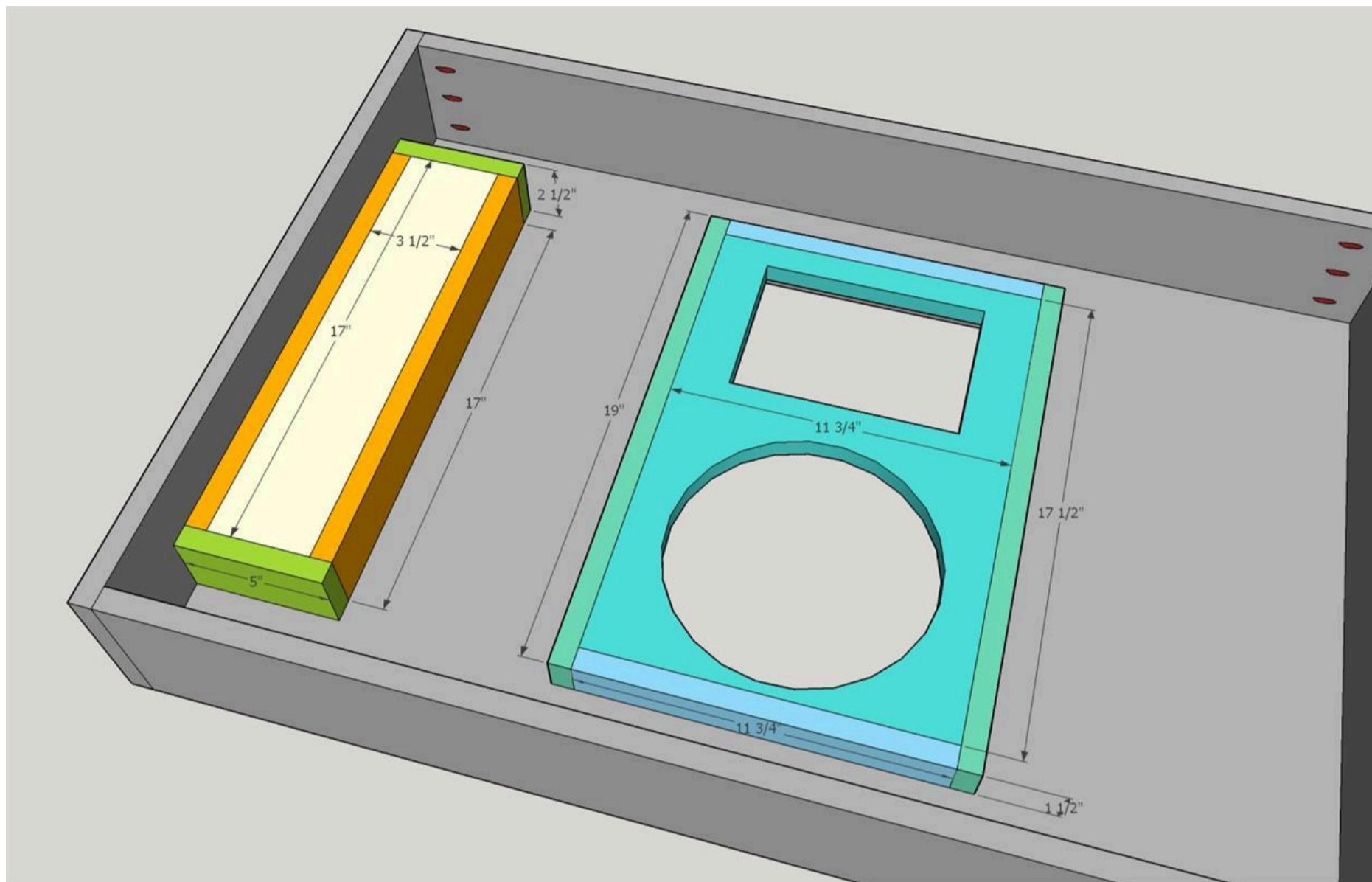
3**Add cut outs for storage**

Using a jigsaw, add cut outs for condiment storage and food storage. Condiment storage is off set $\frac{3}{4}$ " from end of plywood and 3.50" from sides. Hole will be 17" x 3.50". Discard cut out. Food storage is inset 11.75" from opposite plywood edge and 3.25" from sides. Cut out will be 17.50" x 11.75". Save cut out to use as lid. Measurements will need to be exact to allow for leg clearance underneath.



4**Add Condiment Bin**

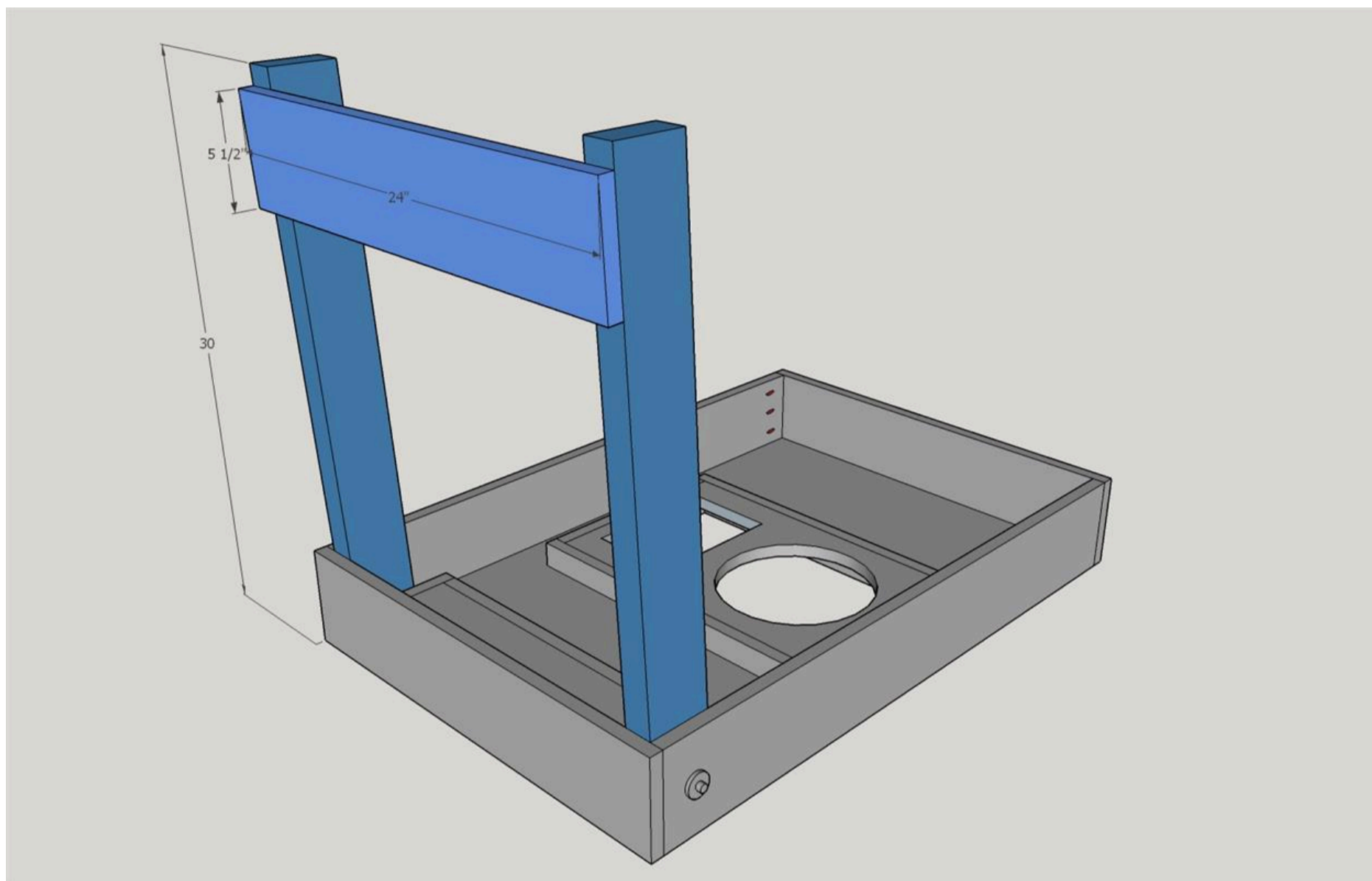
For each table half, cut a 1" x 4" to 17" (bottom of condiment bin). Cut (2) 1" x 3" to 17" (sides) and (2) 1" x 3" x 5" (ends). Assemble condiment bin and attach to corresponding cut out with 1-1/4" pocket screws.



5**Attach Main Legs**

Pre-drill a 1/2" hole through the side of the table for leg securing bolt (Legs attach on end with condiment bin). Attach legs using 1/2" x 4" bolt with fastening nut and washer.

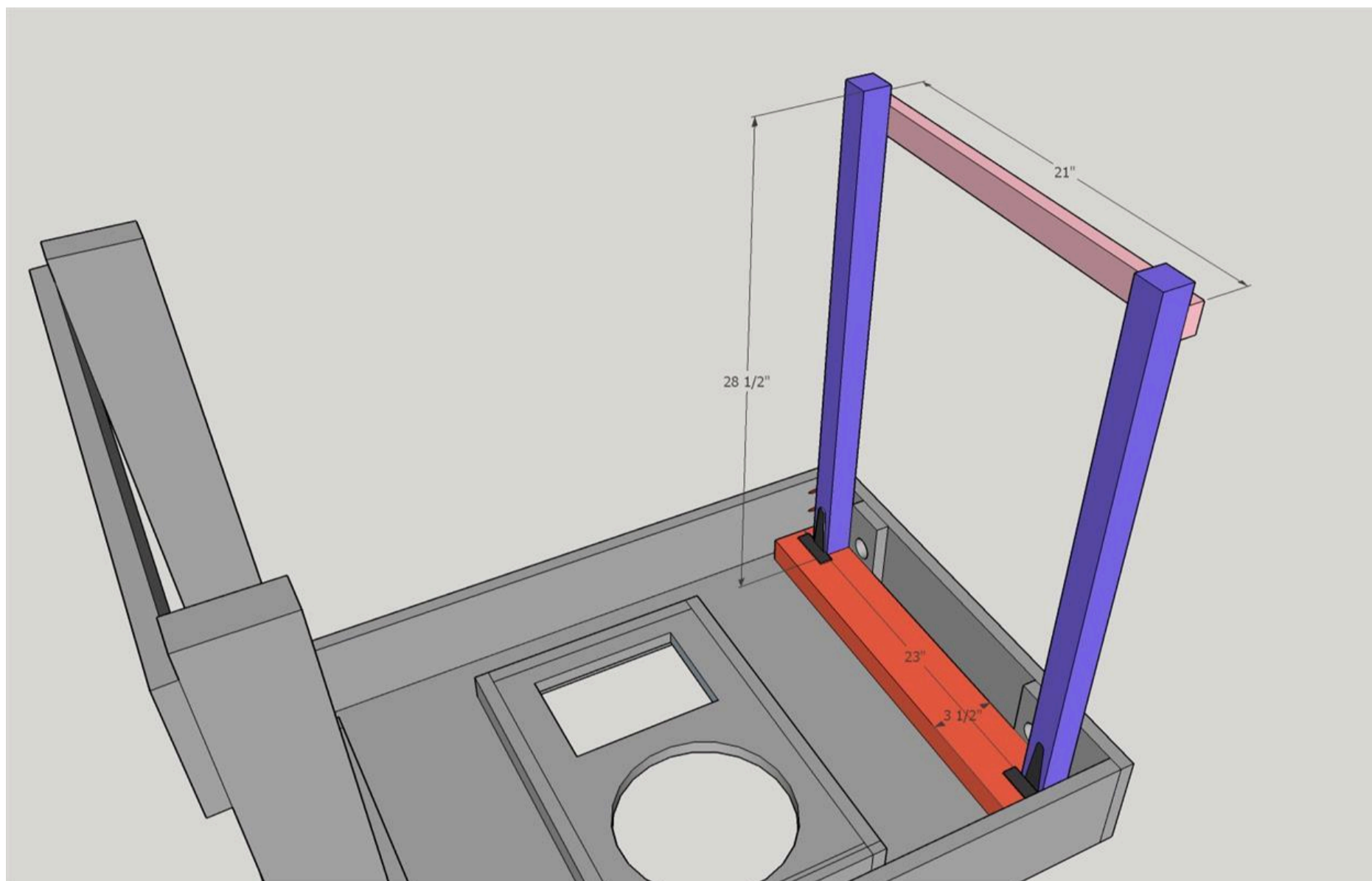
Cut piece of 1" x 6" x 24" and attach to pair of legs 1" from the bottom. Optional cutout for hand hold with forstner bit and jigsaw.



6**Attach Secondary Legs**

On only one of the table halves, cut a 2" x 4" to 23". Attach inset 3/4" from end opposite of condiment bin. (optional peg support shown, visit www.LazyGuyDIY.com for bonus step).

Cut (2) 2" x 2" to 28.50". Attach to 2" x 4" base with t-hinge so legs will sit inside of main support legs. Add 1" x 2" x 21" cross brace attached 1" from bottom of leg.



7

Add final accessories & hinge

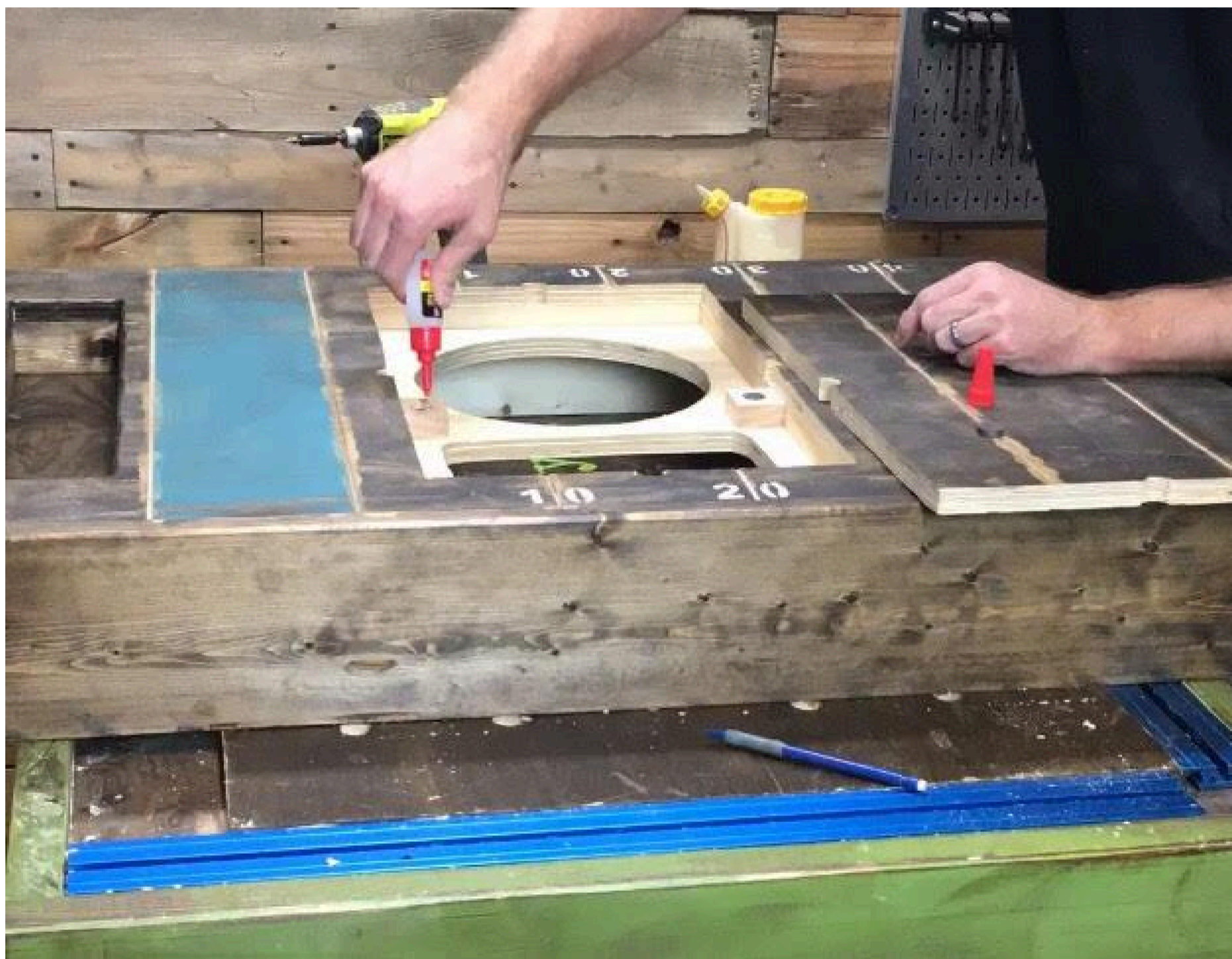
Attach both halves using piano hinge and wood screws. Cut out optional hand holds with forstner bit and jig saw or add handles for carrying. Add Bottle openers for frosty beverage assistance.



8**Storage bin lid**

On the bottom of the cutout from the food storage bin, using a 3/4" forstner bit drill down to a depth to allow 3/4" magnet to be inserted and attached with adhesive.

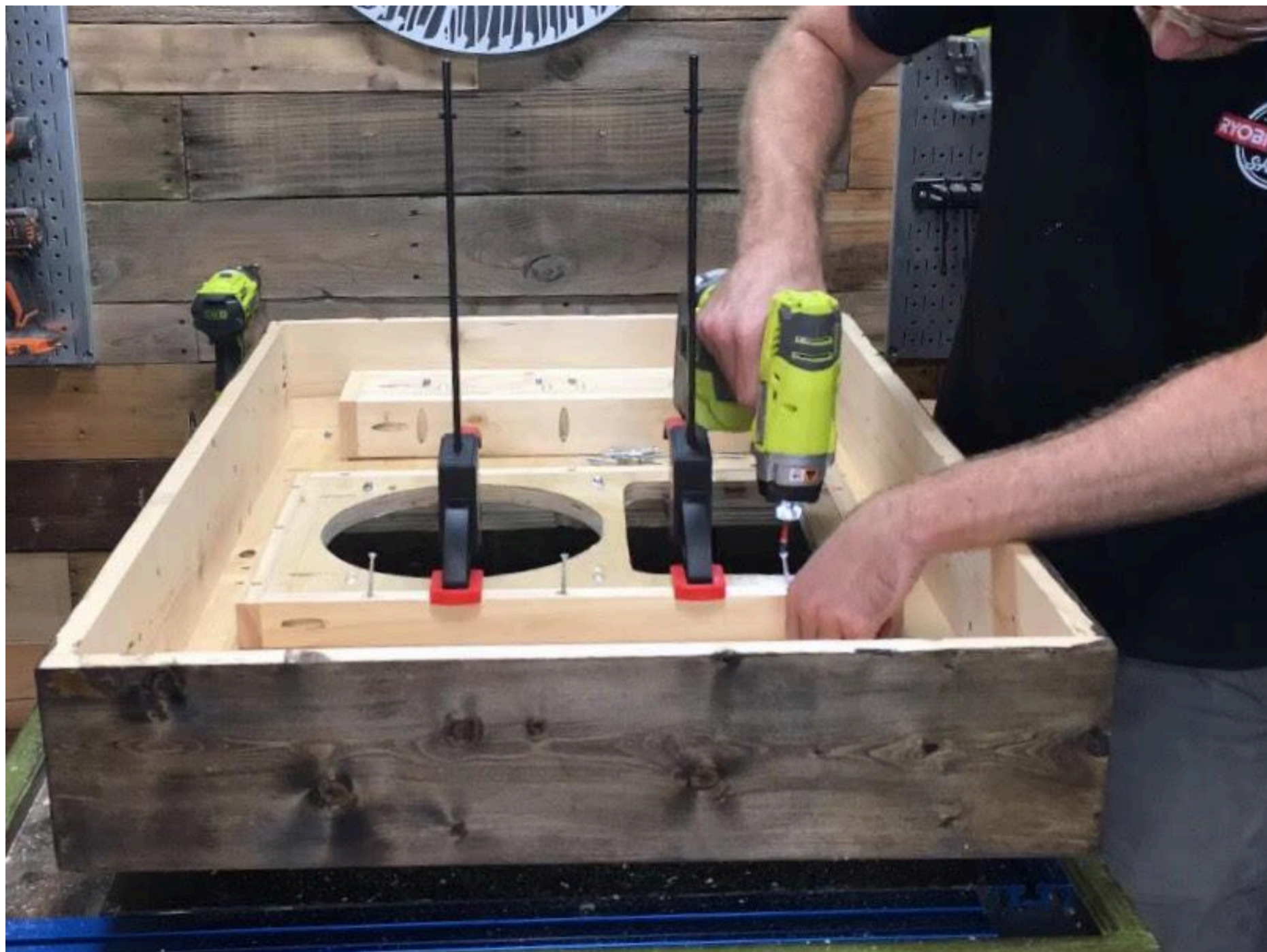
On the inside of the food storage bin (lined up with the magnets attached on the bottom of the lid) attach a scrap piece of 1" x 2" with an inset 3/4" magnet. Lid should be held in place with magnets and sit flush on surface. If needed, attach additional scrap pieces of 1x2 to level the lid so it sits flush.



9

Add Food Bin

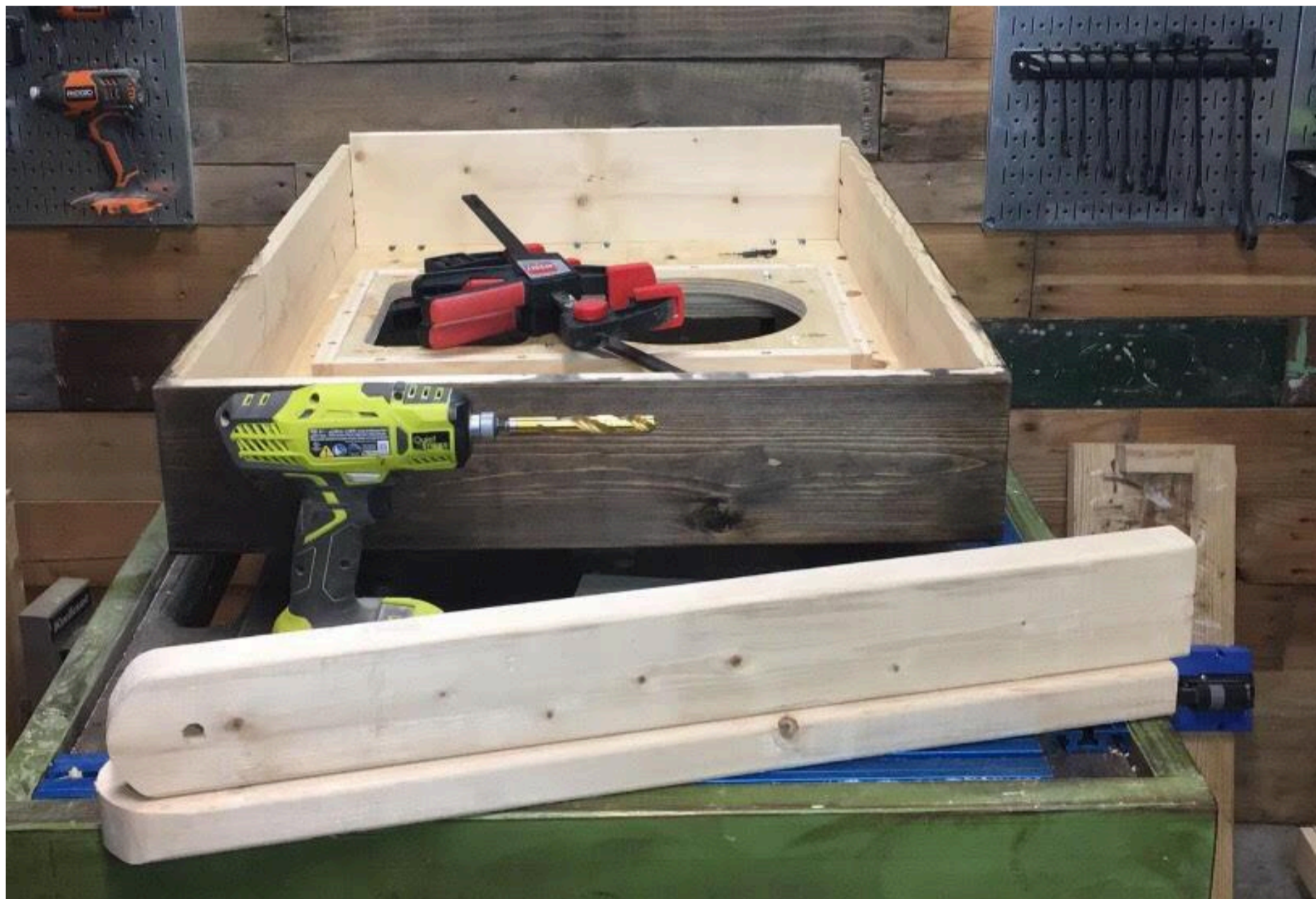
Using extra cut off from the plywood, for each half, cut a piece to 17.50" x 11.75". Trace shape of storage bin and cut out with jigsaw. Cut (2) pieces of 1" x 2" to 11.75" (ends) and two 1" x 2" to 19" (ends). Assemble and attach to corresponding cut out.



10**Rounding the leg ends**

In order for the legs to tilt at the fulcrum the end attached to the table will need to be rounded to allow for clearance. There are several methods from using a saw to a sander to round the end. Please be safe if using a sander.

For each table half, cut (2) 2" x 4" to 29.50". Pre-drill a 1/2" hole centered 2.50" from end of rounded over end.



11**A note about the legs**

Be sure to dry fit all of the leg pieces before attaching. You might have to add temporary spacers to allow for clearance after assembly. The secondary legs fold down first and sit inside of the main set of legs. The secondary legs are necessary to support the middle of the table because the piano hinge is not strong enough to support the two halves by itself. One set of secondary legs is sturdy enough to support the table, but you can add a set on the other side for symmetry if desired.

