

Twin Size Board and Batten Headboard

By **The Creative Mom**

Difficulty
Moderate

This is a really quick and easy build that won't break the bank. Perfect for a beginner! The headboard is designed to fit with an existing twin bed frame. It would be great for either a boys or girls room. Since the headboard is so basic, you could easily add extra moulding or details to customize.





Tools

Kreg Tools



[Kreg® Pocket-Hole Jig 720](#)

Other Tools

Miter Saw

Tape Measure

Impact Driver

Nail Gun

Sander

Materials

Wood Products

1 Board , 2x4 , 96"

1 Board , 1x4 , 72"

2 Board , 1x2 , 96"

1 Plywood , 1/4" Thick , Half Sheet

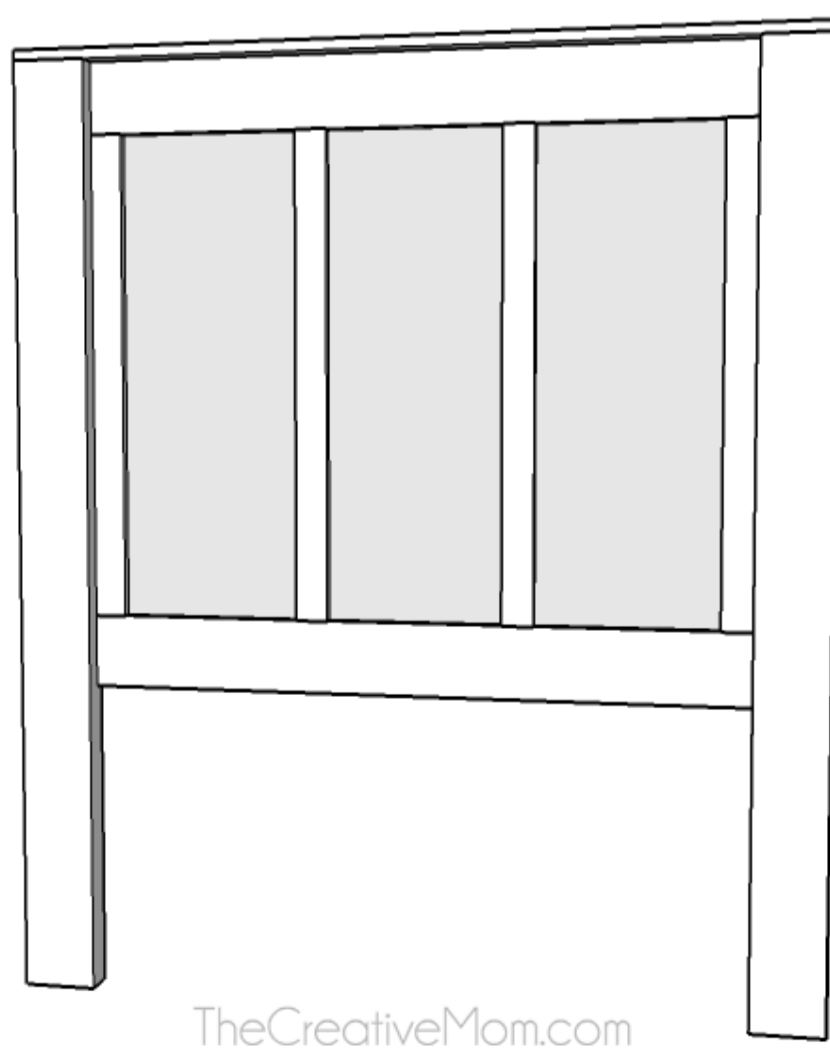
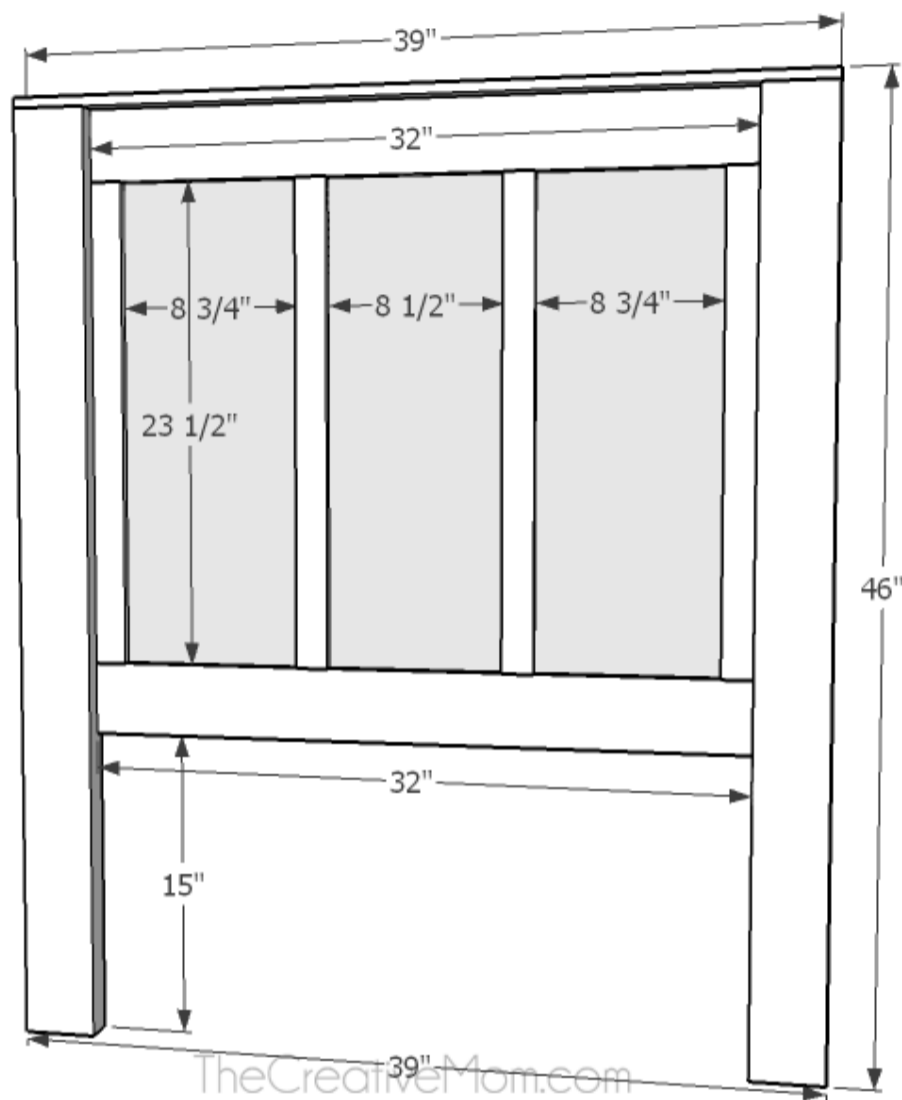
Hardware & Supplies

50 1" Pocket Hole Screws

50 Finish Nails

Cut List & Parts

- 1 Plywood Backing , 30 1/2" X 32" X 1/4"
- 2 Bed Posts , 45 1/2" 2x4
- 1 Top Rail , 39" 1x2
- 4 Vertical Slats , 23 1/2" 1x2
- 2 Horizontal Rails , 32" 1x4

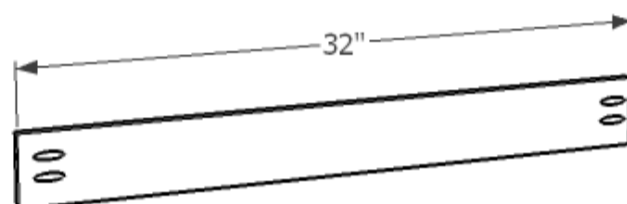
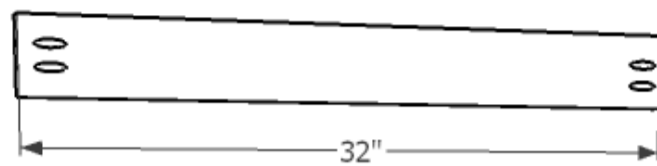


Directions

1

Prepare Horizontal Rails

Cut 2- 1x4 boards 32" long. Using a Kreg Jig, drill pocket holes in both ends of boards.

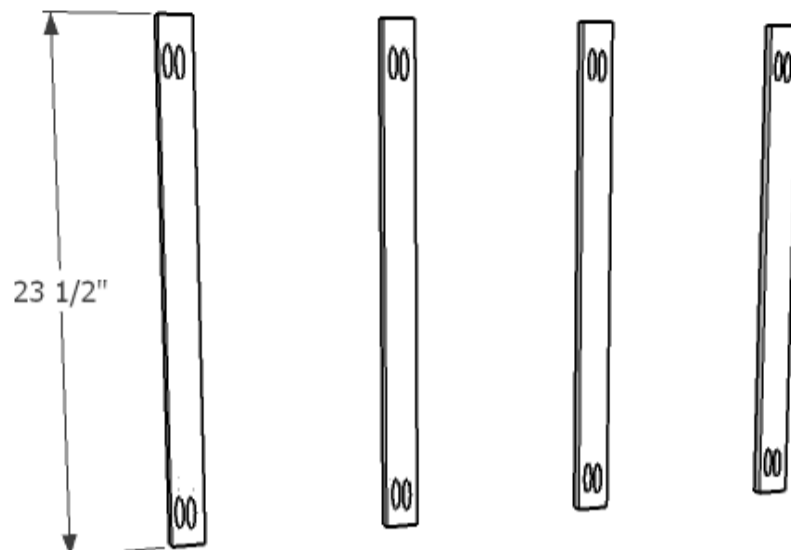


TheCreativeMom.com

2

Prepare Vertical Rails

Cut 5- 1x2 boards 23 1/2" long. Drill pocket holes in each end of all 5 boards.

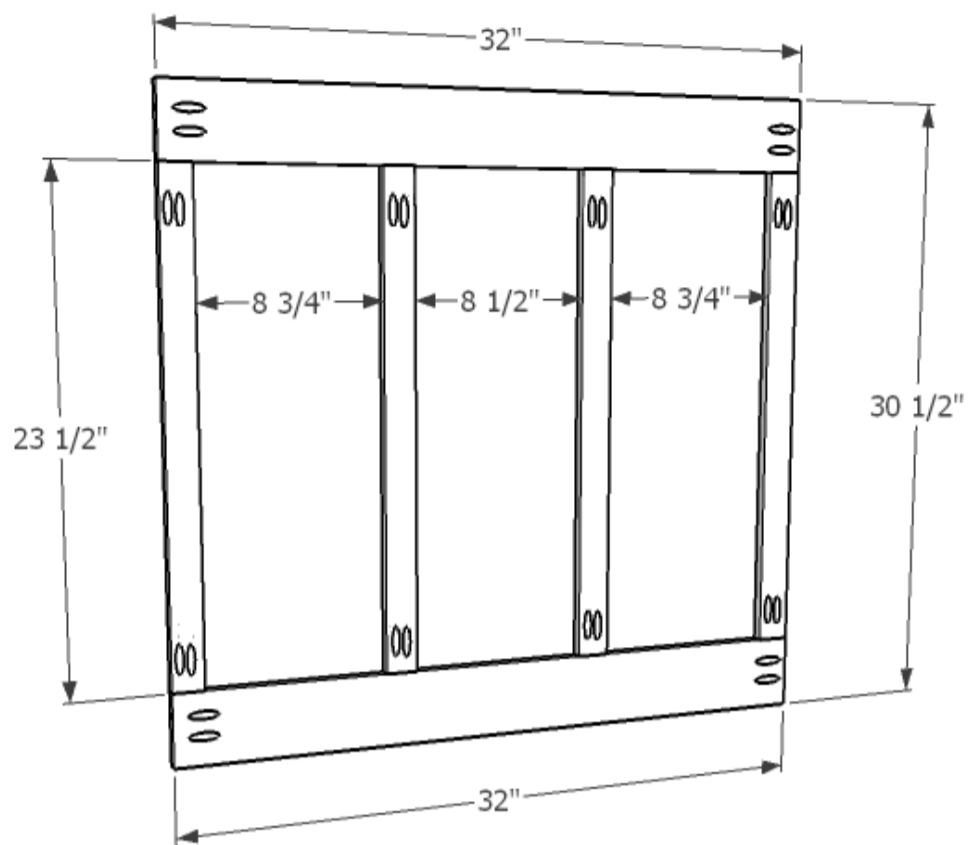


TheCreativeMom.com

3

Build Headboard Frame

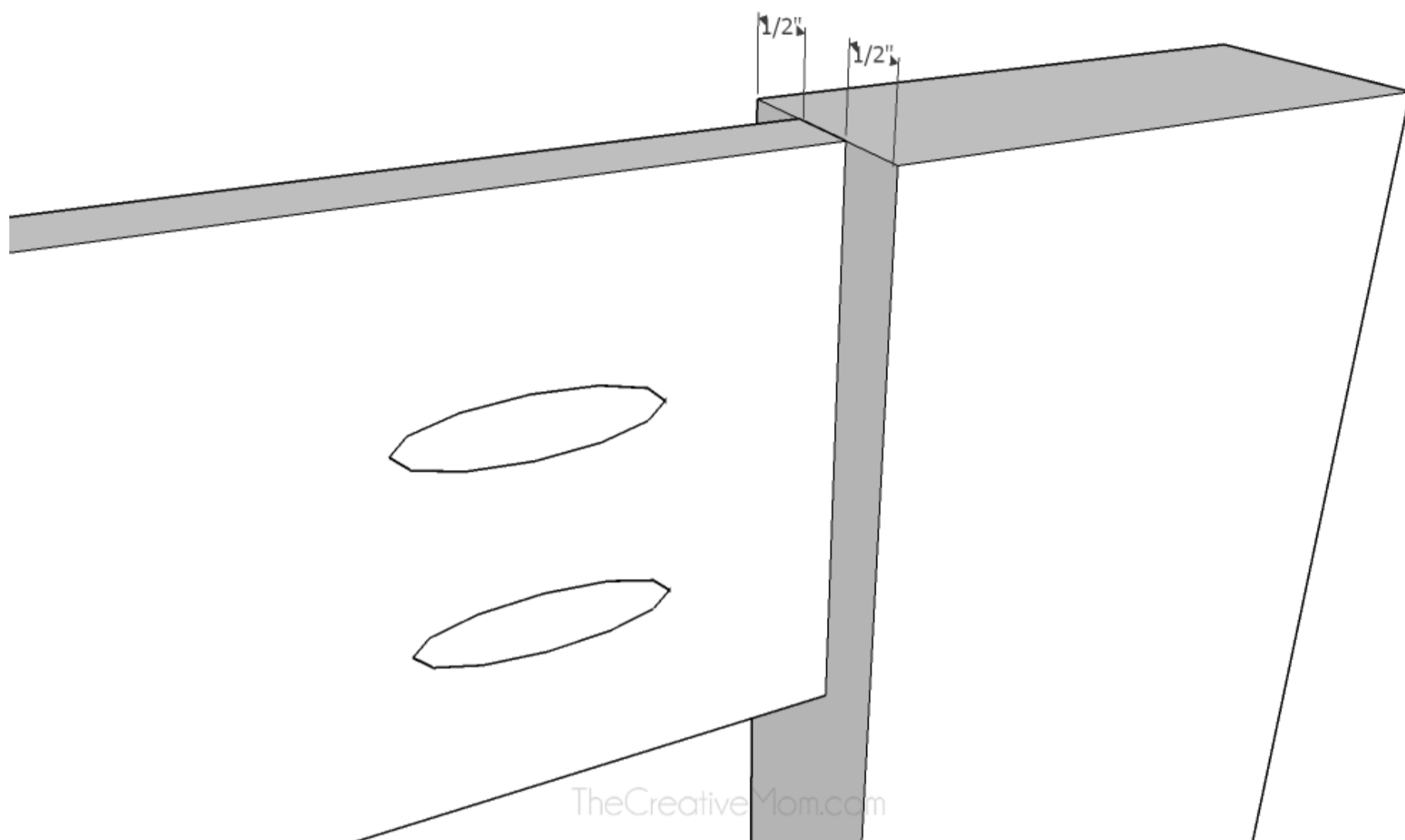
Space 1x2's 8 1/2" and 8 3/4" apart. Using 1" pocket hole screws and wood glue at the joints, attach the 1x2 boards to the 1x4's. Make sure your edge 1x2 boards are flush with the ends of the 1x4's.



TheCreativeMom.com

4**Attach Legs**

Using 1" pocket hole screws and wood glue, attach the top and bottom 1x4's of your frame to the 45 1/2" 2x4 legs. The 1x4 should be centered on the 2x4, with 1/2" on each side. (see plans)

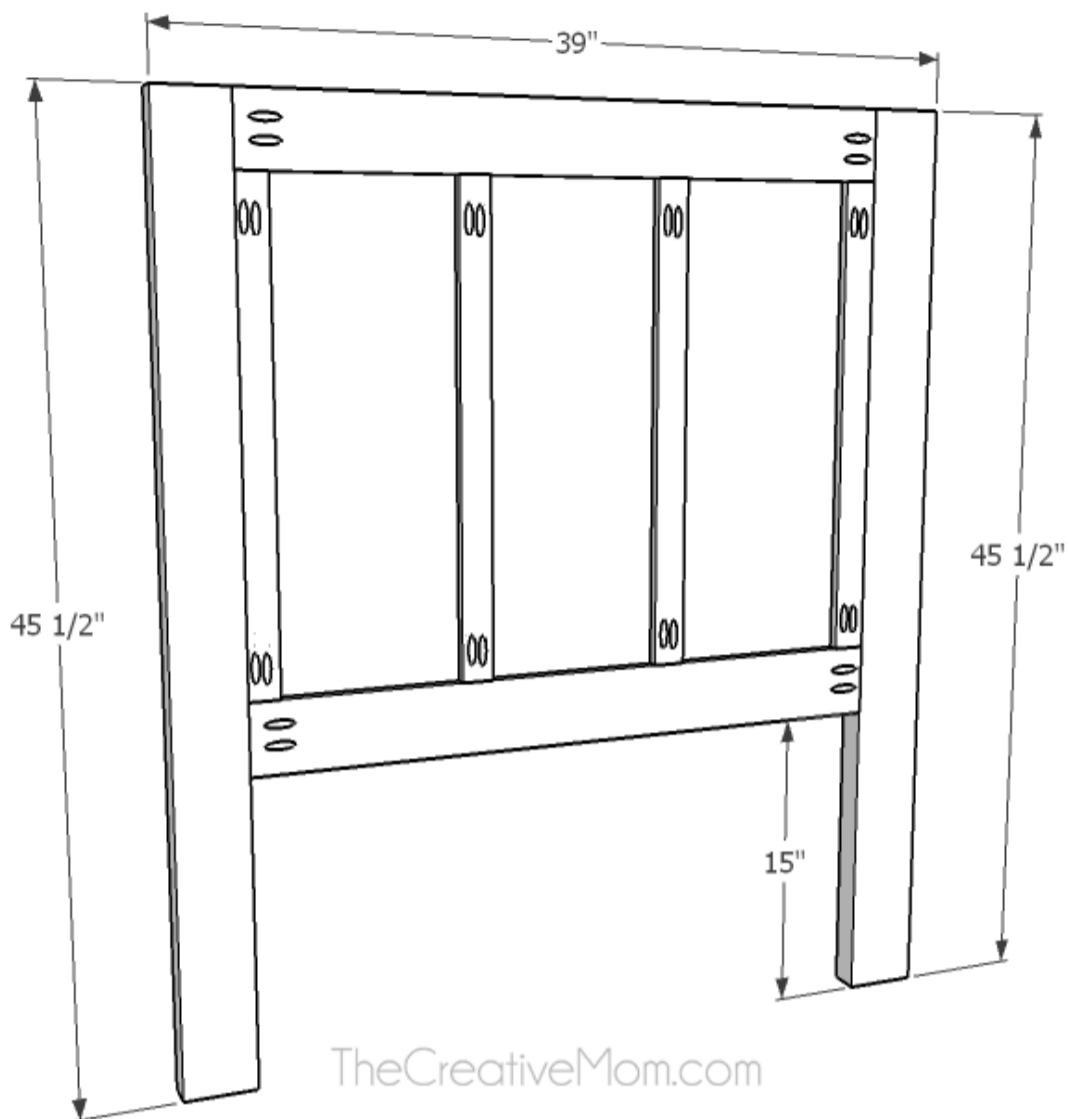


TheCreativeMom.com

5

Completed Frame and Legs

You should have a sturdy frame and legs now. Make sure everything is square and continue on to finish your piece.

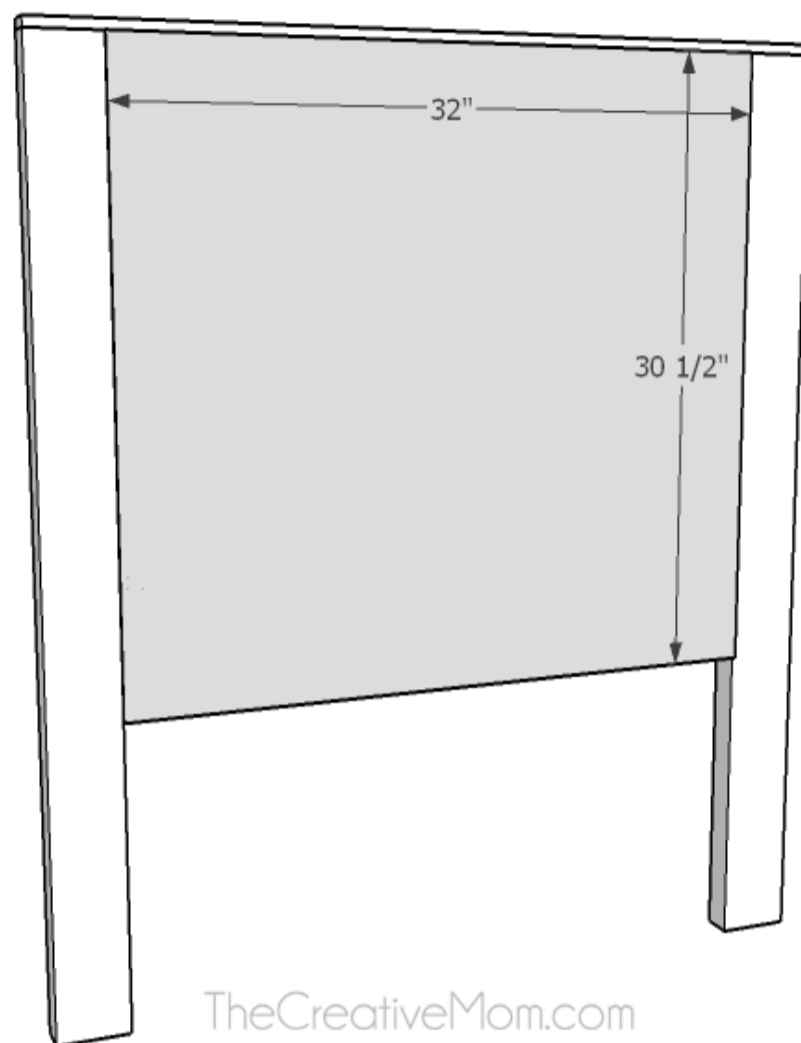


TheCreativeMom.com

6

Add backing

Using finishing nails, attach a 32" x 30 1/2" 1/4" plywood to the back of your headboard. You may want to paint or stain the plywood ahead of time. This should cover up the pocket hole screws in the back.

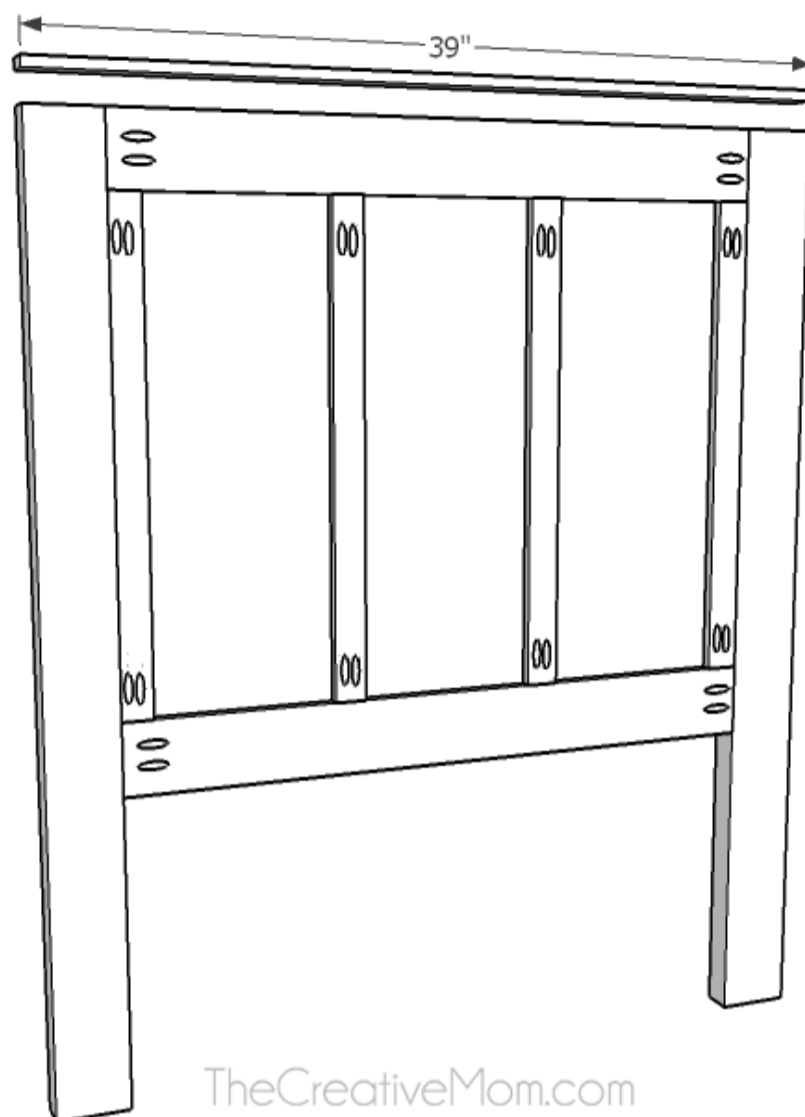


TheCreativeMom.com

7

Add top board

To finish the headboard off, attach a 60" long 1x2 to the top of the headboard with brad nails.



8

Finish

Fill any holes and edges with wood filler. Sand, and paint or stain the headboard.

