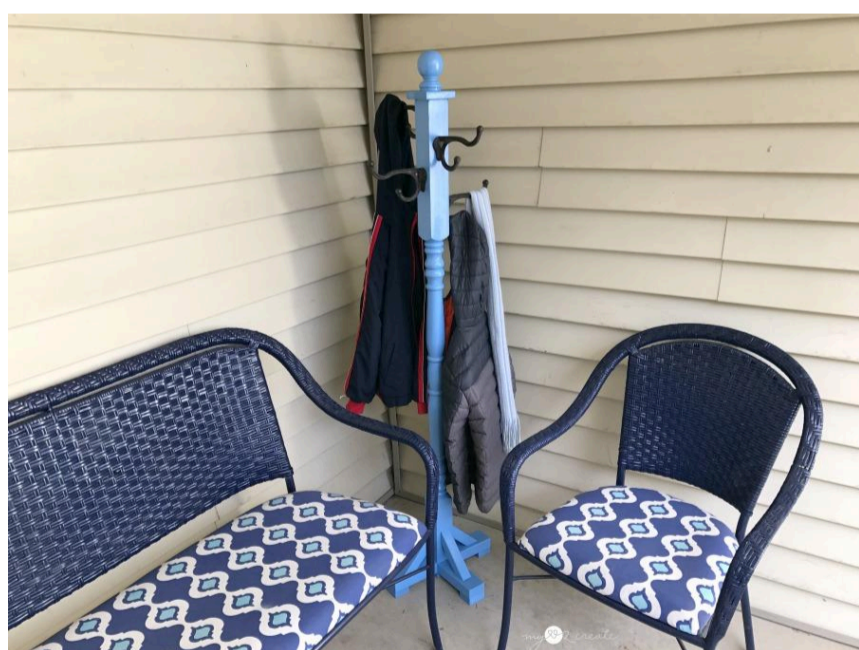


# Standing Coat Rack

Difficulty  
Easy

Clear the clutter in your entryway, mudroom or guest room by building an easy standing coat rack. This simple design is perfect for the beginning builder, proving that anyone can DIY and hang their coats in style!



# Tools

## Kreg Tools



[Kreg® Pocket-Hole Jig 720](#)

## Other Tools

Miter Saw

Nail Gun

# Materials

## Wood Products

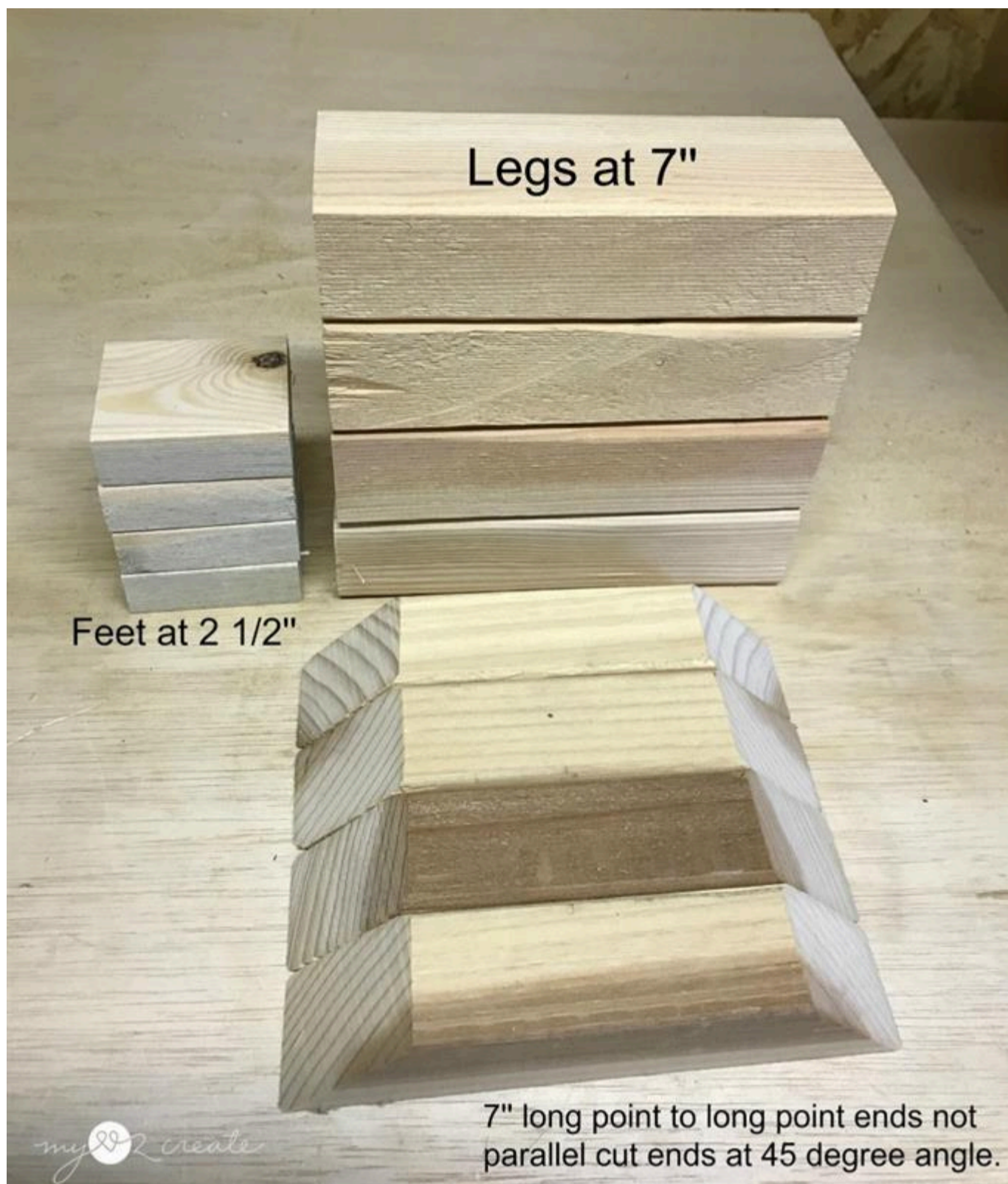
- 1 Board , 4x4 , 72"
- 1 Board , 2x4 , 24"
- 1 Board , 2x3 , 24"
- 1 Board , 1x4 , 12"
- 1 Board , 1x6 , 12"

## Hardware & Supplies

- 4 Coat Hooks With Screws
- 8 2 1/2" Pocket Hole Screws
- 30 2" Finish Nails
- 10 1 1/2" Finish Nails

# Cut List & Parts

- 1 Ball Finial , 4"
- 1 Base (For Finial, Cut From 1x6) , 3/4"x 4"x4"
- 1 Post Or Newel Post/Tall Baluster , 3 1/2" X 3 1/2" X 57"
- 4 Legs , 1 1/2" X 3 1/2" X 7"
- 4 Feet , 3/4" X 3 1/2" X 2 1/2"
- 4 Angle Supports , 1 1/2" X 2 1/2" X 7" Long Point To Long Point Ends Not Parallel



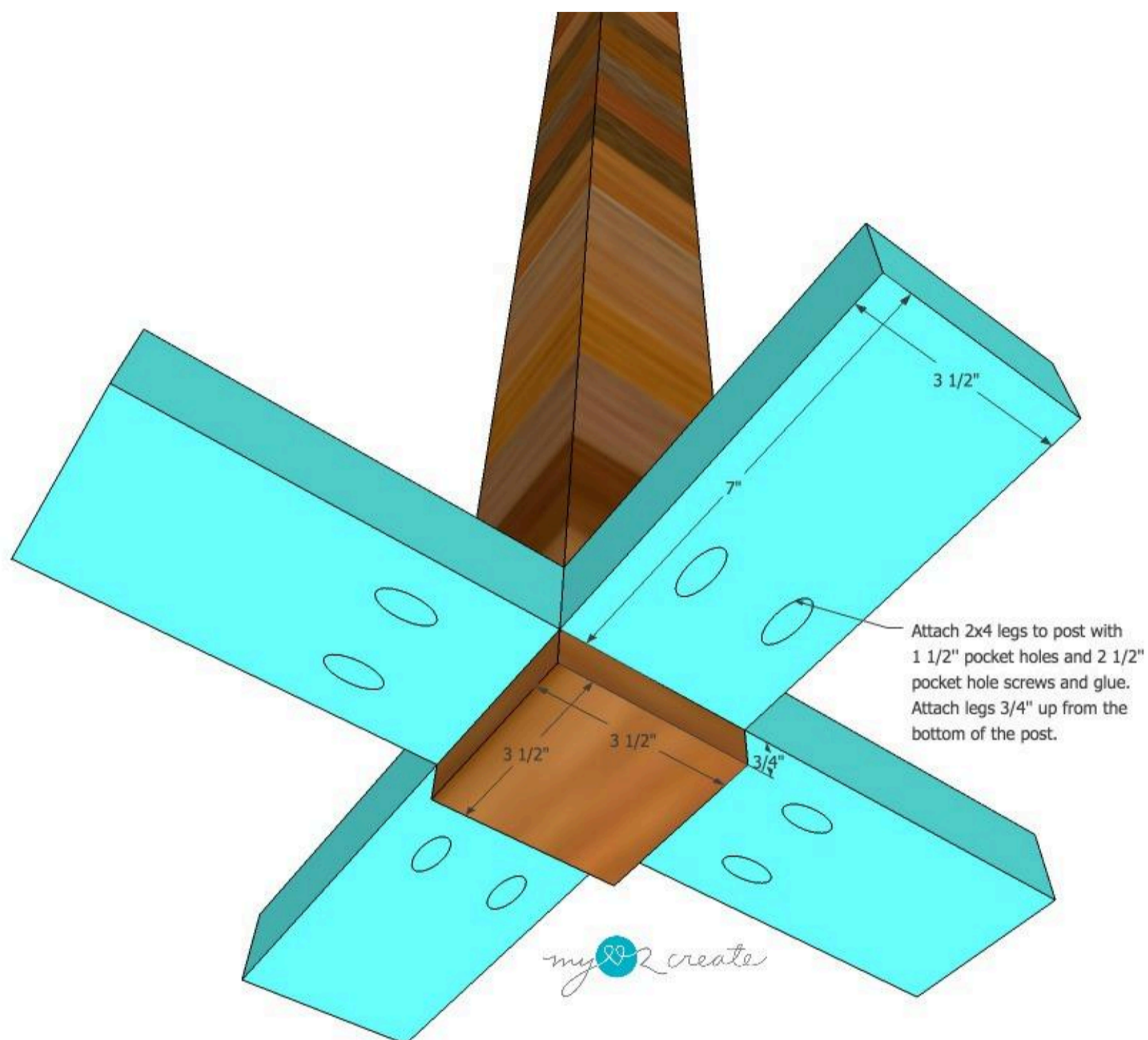


# Directions

1

## Attach legs to Post

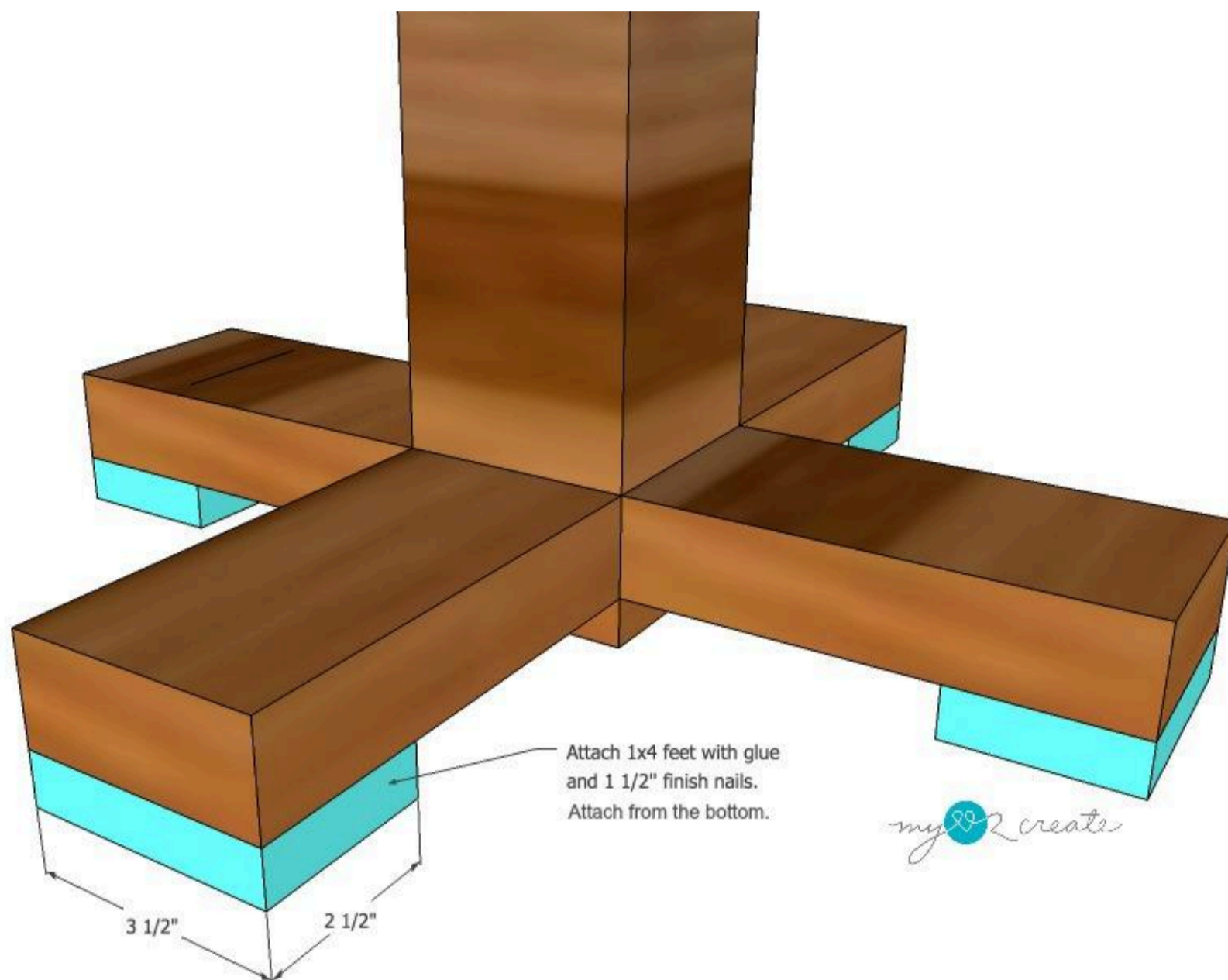
Mark  $3/4$ " up from the bottom of the post on all four sides. After drilling  $1\ 1/2$ " pocket holes into one side of your 7" 2x4 legs, attach them to all four sides of your post with wood glue and  $2\ 1/2$ " pocket hole screws.



2

**Attach feet to legs**

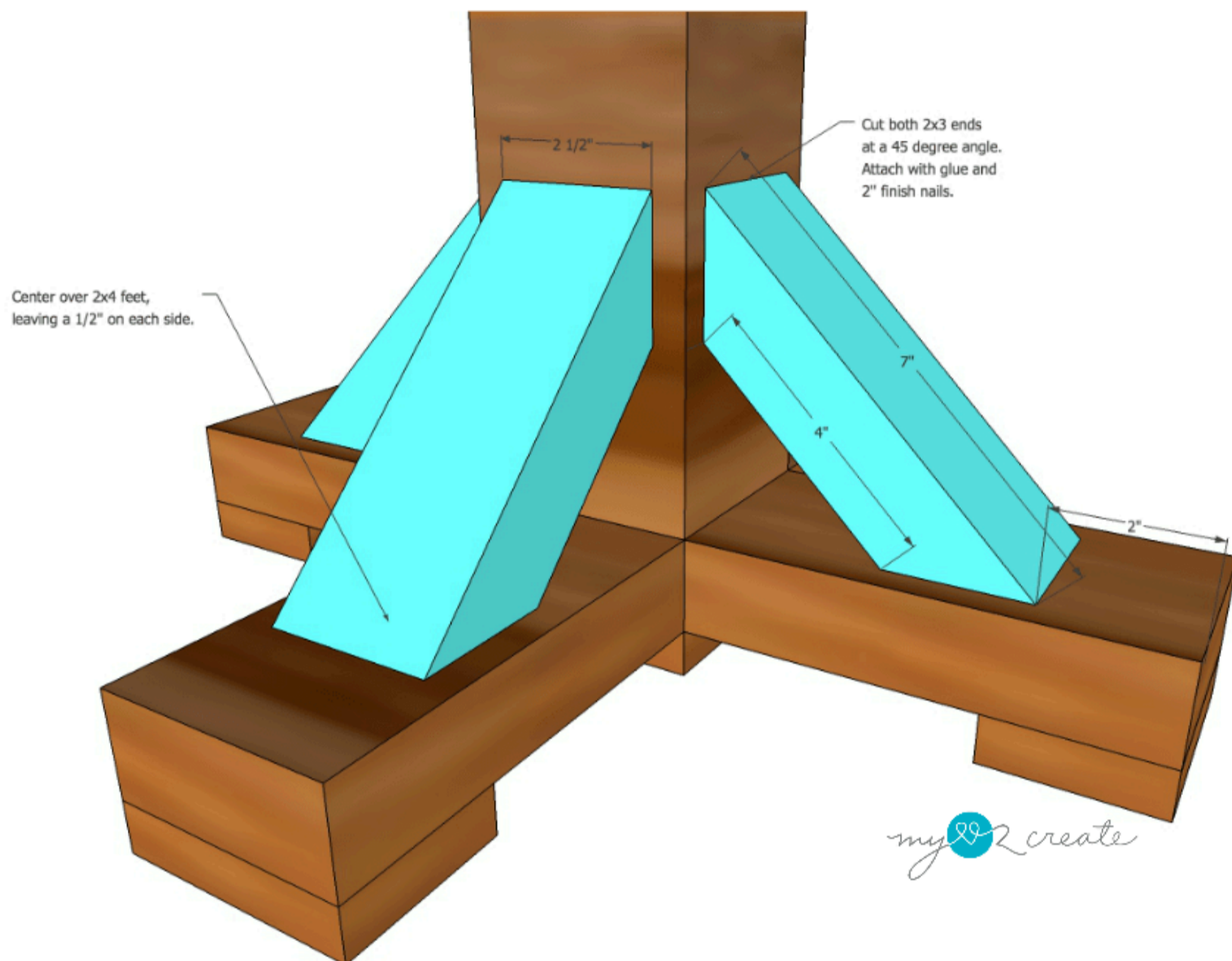
Attach the 2x3 feet to the bottom of the legs flush to the outside edge, use wood glue and 1 1/2" finish nails. Make sure to nail in from the the bottom.



### 3

#### Add angle supports

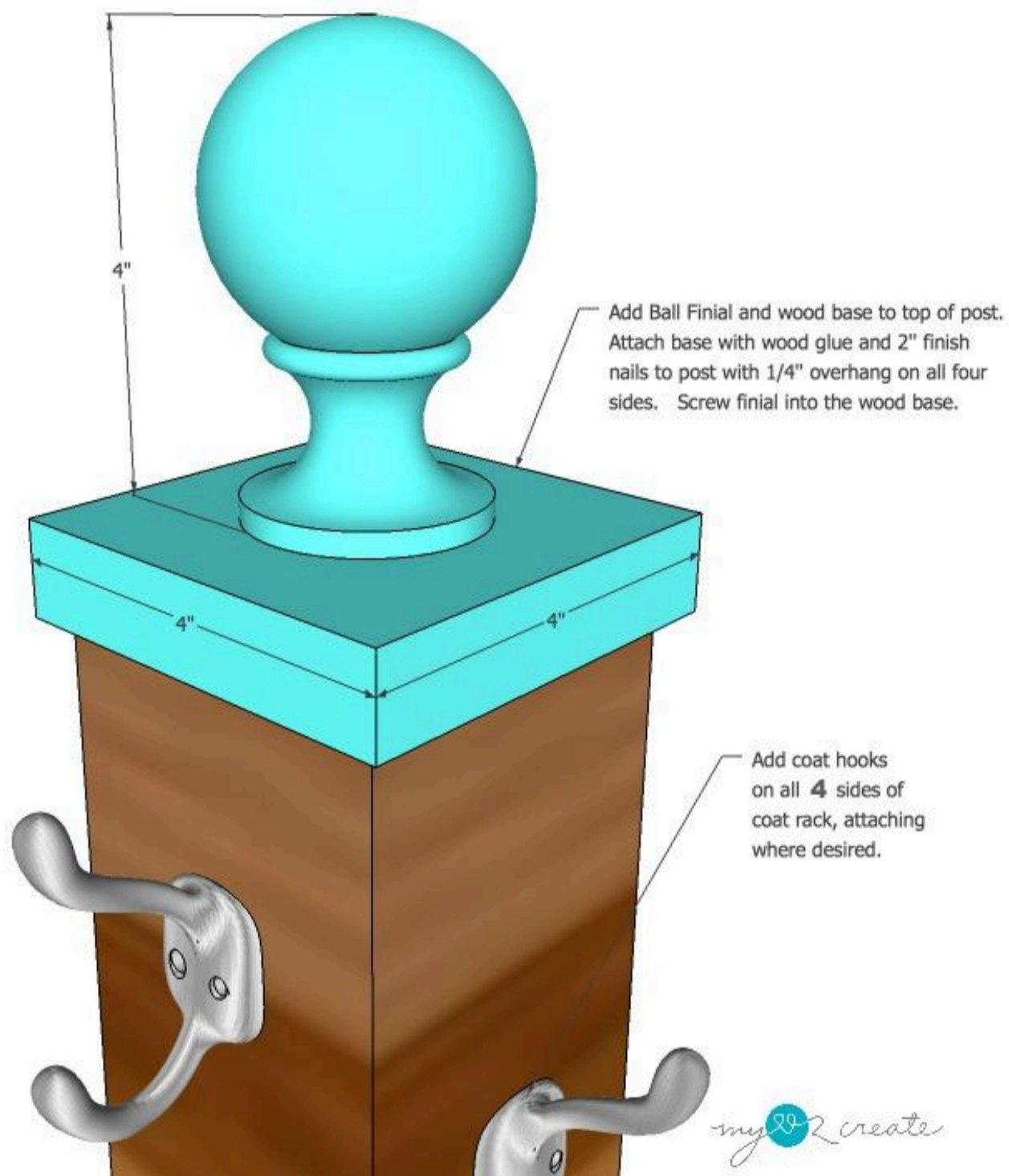
Centering your angle supports on the legs and the post and attach them with wood glue and 2" finish nails, nailing in at an angle.



4

**Add base and finial**

Attach the 4" base and 4" ball finial to the top of your post with wood glue and 2" finish nails.





5

### Fill holes and finish

Fill all holes with wood filler and finish as desired. After your finish is complete attach hooks to all four sides of your post at the top. You can stagger them as desired. Enjoy your new coat rack!

# Standing Coat Rack



*my*  *create*

6

**Tips**

To save money try to use scrap wood on this build. You can also get creative with your post, in the photos you can see I used a newel post or tall baluster instead of a 4x4. I got it at my local Restore for only \$1, I adjusted the wood sizes to match the width of my post, but I still used the same measurements. For more details check out my blog post.

<http://www.mylove2create.com/2016/12/standing-coat-rack.html>

