

Simple Stepstool

By **The Creative Mom**

Difficulty

Easy

This simple stepstool is a quick and easy build. Great to use in a kitchen, bathroom, or wherever you need a little step up. This stepstool is light and easy to move. Perfect for kids to use to reach sinks or countertops. They can move the stepstool anywhere they need it. And it looks cute too!



Free Stepstool Building Plans
By Natalie Dalpiaz
www.TheCreativeMom.com
For BuildSomething.com

TheCreativeMom.com



THECREATIVEMOM.COM



THECREATIVEMOM.COM



THECREATIVEMOM.COM



Tools

Kreg Tools



[Kreg® Pocket-Hole Jig 720](#)

Other Tools

Jigsaw

Miter Saw

Tape Measure

Drill (cordless)

Nail Gun

Sander

Materials

Wood Products

1 Board , 1x8 , 48"

2 Board , 1x2 , 96"

Hardware & Supplies

25 1 1/4" Pocket Hole Screws

25 1 1/4" Grabber Screws

1 Wood Glue

Cut List & Parts

- 4 Frame Fronts & Backs , 16" 1x2's
- 2 Small Frame Sides , 5" 1x2's
- 2 Large Frame Sides , 10" 1x2's
- 2 Back Legs , 13 1/4" 1x2's
- 2 Middle Supports , 9" 1x2's, Both Ends Cut At 10 Degrees Off Square
- 2 Front Legs , 6" 1x2's, Both Ends Cut At 10 Degrees Off Square
- 2 Steps , 17" 1x8's

Directions

1

Build step frames

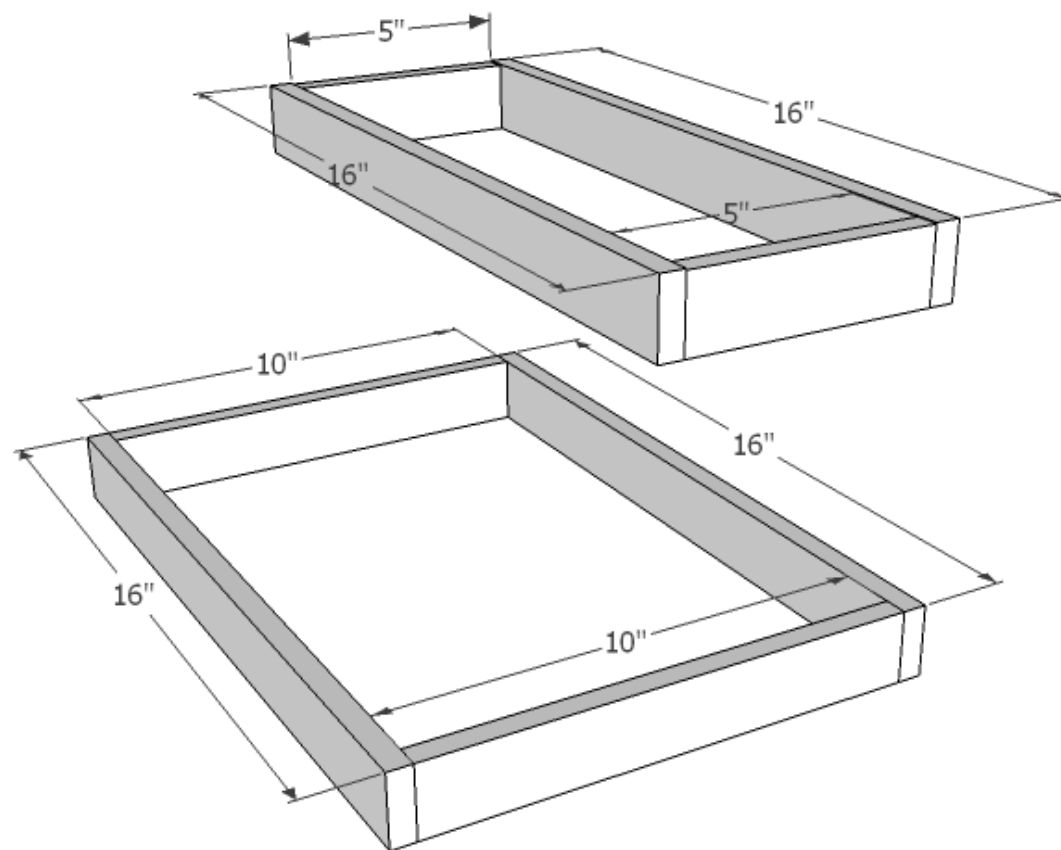
Begin by building the frames for your steps.

Cut 4- 16" 1x2's.

Cut 2- 5" 1x2's. Drill pocket holes in each end of the 5" boards.

Cut 2- 10" 1x2's. Drill pocket holes in each end of the 10" boards.

Use 1 1/4" pocket hole screws and wood glue to build two frames.



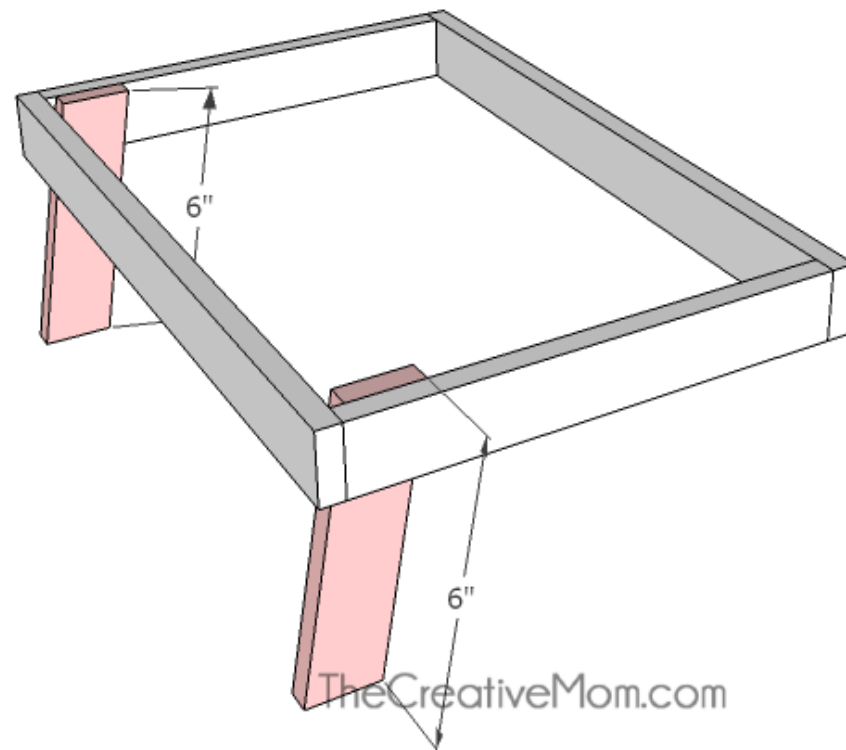
TheCreativeMom.com

2

Add front legs

Cut 2- 6" 1x2 boards, with both ends mitered at 10 degrees off square.

To the larger frame, attach both boards so they are flush with the top of the frame. Keep boards toward the front of the frame as far as they can go, while keeping the bottom of the legs level with the top of the frame (see plans). Boards are attached with wood glue and 1 1/4" grabber screws, screwed from the inside.



3

Stepstool frames built

You should now have two frames built for the steps of your stepstool.

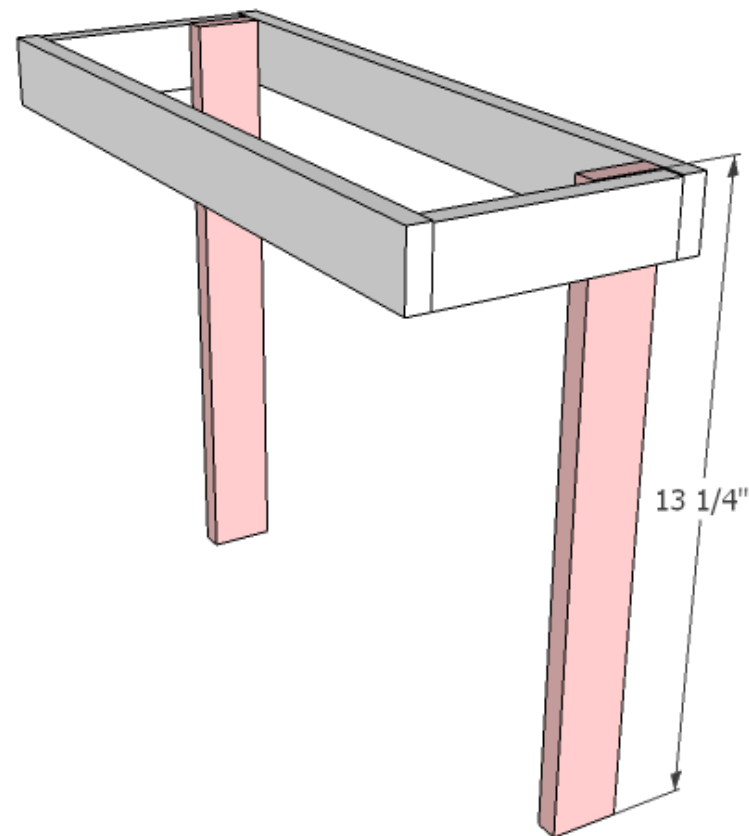


4

Add back legs

Cut 2- 13 1/4" 1x2's.

To the smaller frame, attach both boards, so they are flush with the top and the back (see plans). Boards are attached with wood glue and 1 1/4" grabber screws, screwed from the inside.

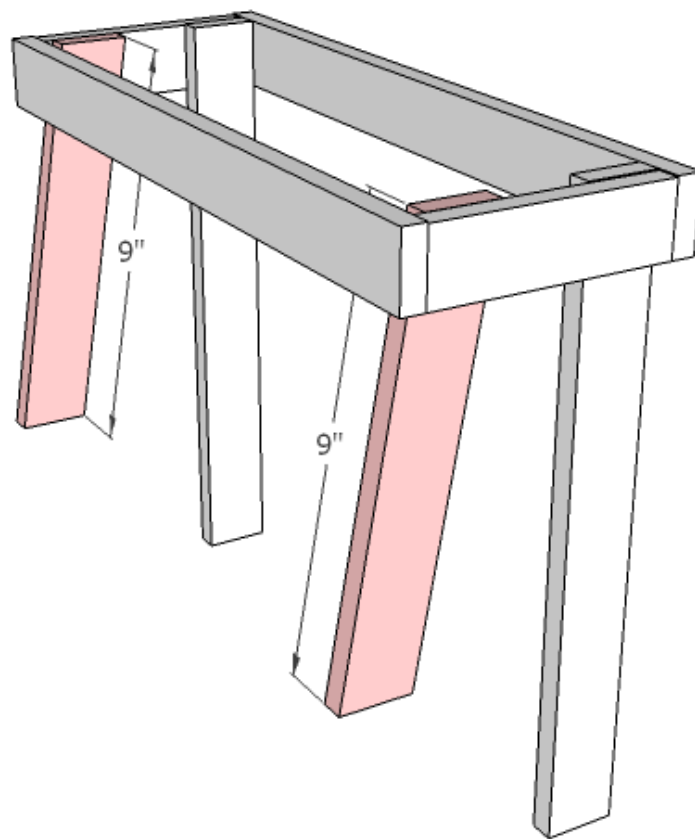


TheCreativeMom.com

5**Add side supports**

Cut 2- 9" 1x2 boards, with both ends mitered at 10 degrees off square.

To the smaller frame, attach both boards so they are flush with the top of the frame. Keep boards toward the front of the frame as far as they can go, while keeping the bottom of the legs level with the top of the frame (see plans). Boards are attached with wood glue and 1 1/4" grabber screws, screwed from the inside.



TheCreativeMom.com

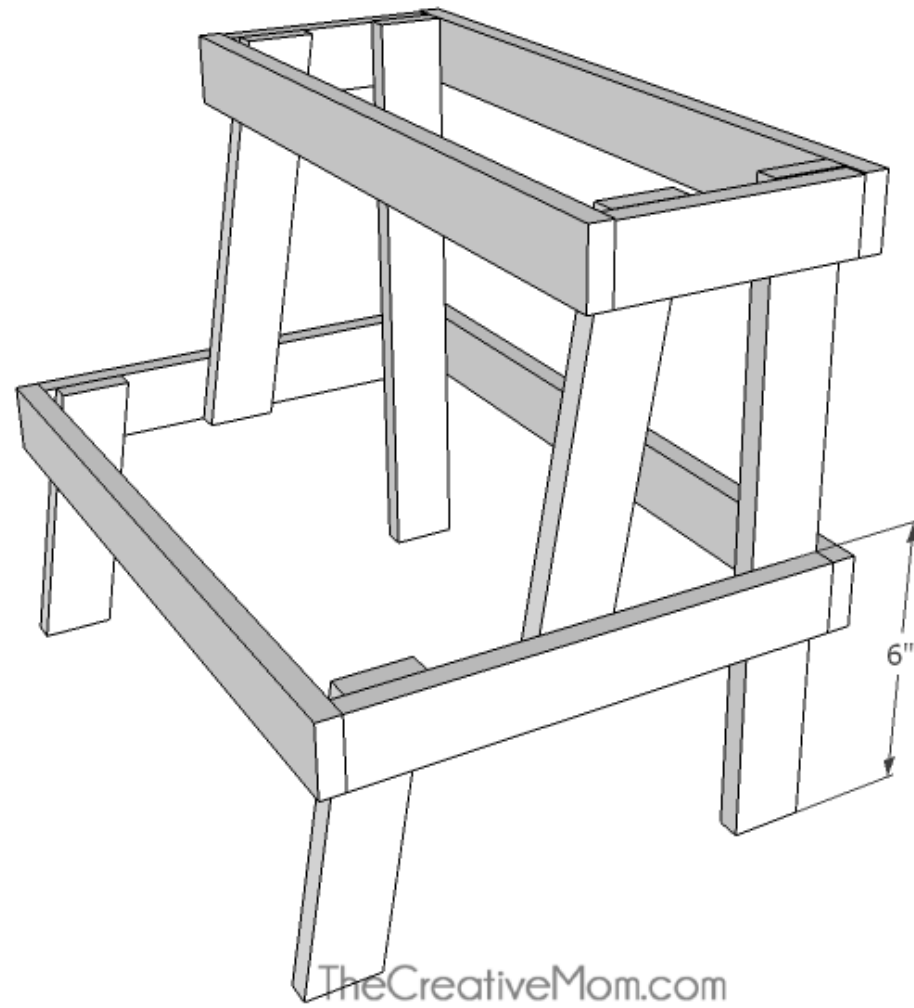
6**Attach frames together**

Attach the back legs to the bigger frame.

Measure 6 inches from the bottom of the legs. This will be where the top of your frame will sit (see plans).

Also attach the middle supports so the bottom of the supports is even with the bottom of the bigger frame.

Boards are attached with wood glue and 1 1/4" grabber screws, screwed from the inside.



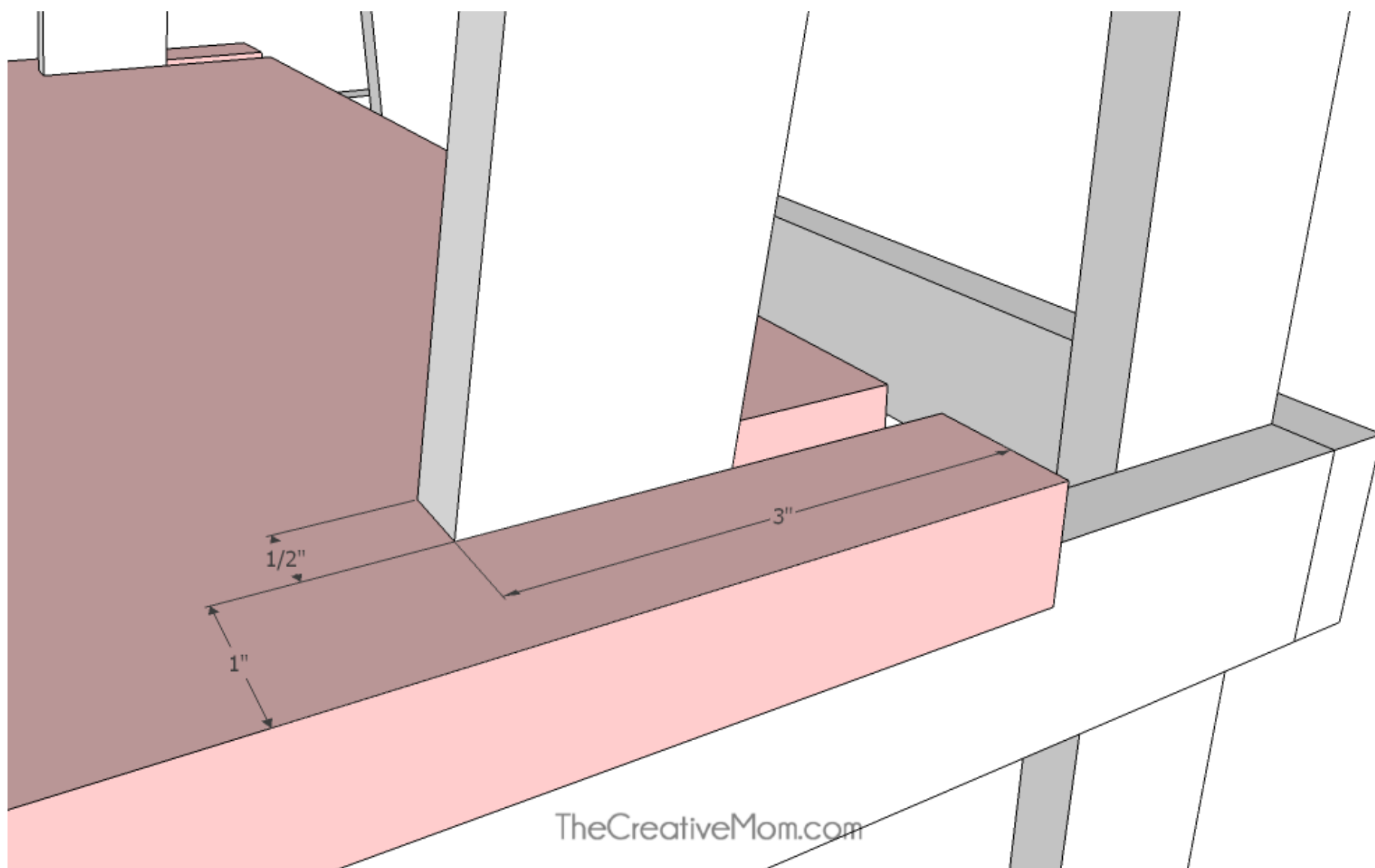
7**Cut steps**

Cut 2- 17" 1x8 boards.

The bottom step will need some notches cut out so it fits with the frame we built. Using a jigsaw, a band saw, or a scroll saw, cut 2 slits out of the board.

Measure in 1" from the sides, and 3 inches from the back. Then cut a 1/2" slit (see plans for clarification).

Once the slits are cut, slide the step in place.

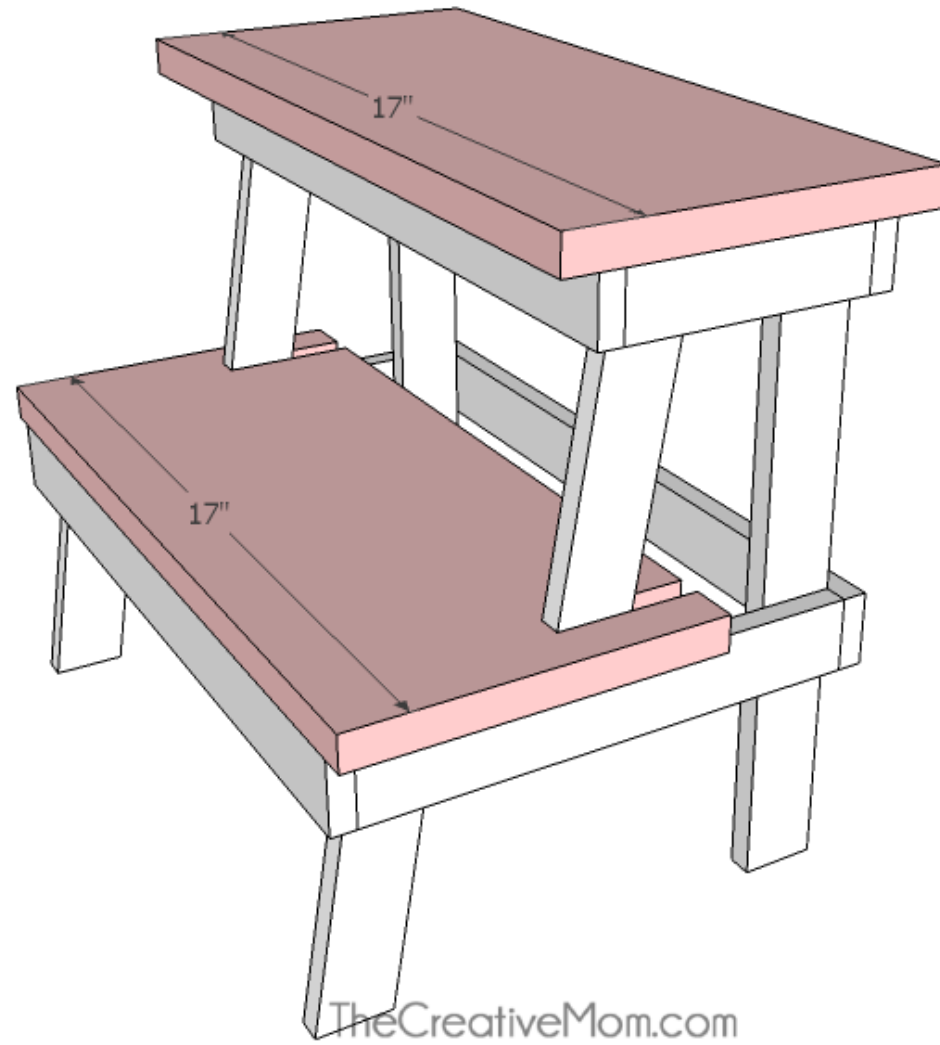


8**Attach steps**

Using wood glue and brad nails, secure the steps into place.

The top step should be flush with the back, and have 1/2" overhang on each side.

The bottom step should overhang the sides by 1/2", and about 1/2" in the front as well.



9

Finish the stepstool

Sand the stepstool. Paint or stain to finish.

