

Shelving Unit with Storage and Tilt-Out Laundry

By **House by the Bay**

Difficulty
Advanced

A large multi-function storage unit with open upper shelves, lower cabinets and two tilt-out laundry units.



Tools

Kreg Tools



[Accu-Cut™](#)



[Kreg® Pocket-Hole Jig 720](#)



[Shelf Pin Jig with 1/4\"](#)

Other Tools

Circular Saw (corded)

Miter Saw

Drill (cordless)

Sander

Materials

Wood Products

2 Plywood , 3/4\"

1 Plywood , 1/4\"

Hardware & Supplies

5 Hinges

5 Pulls

6 Shelf Pins (4 Per Shelf)

Cut List & Parts

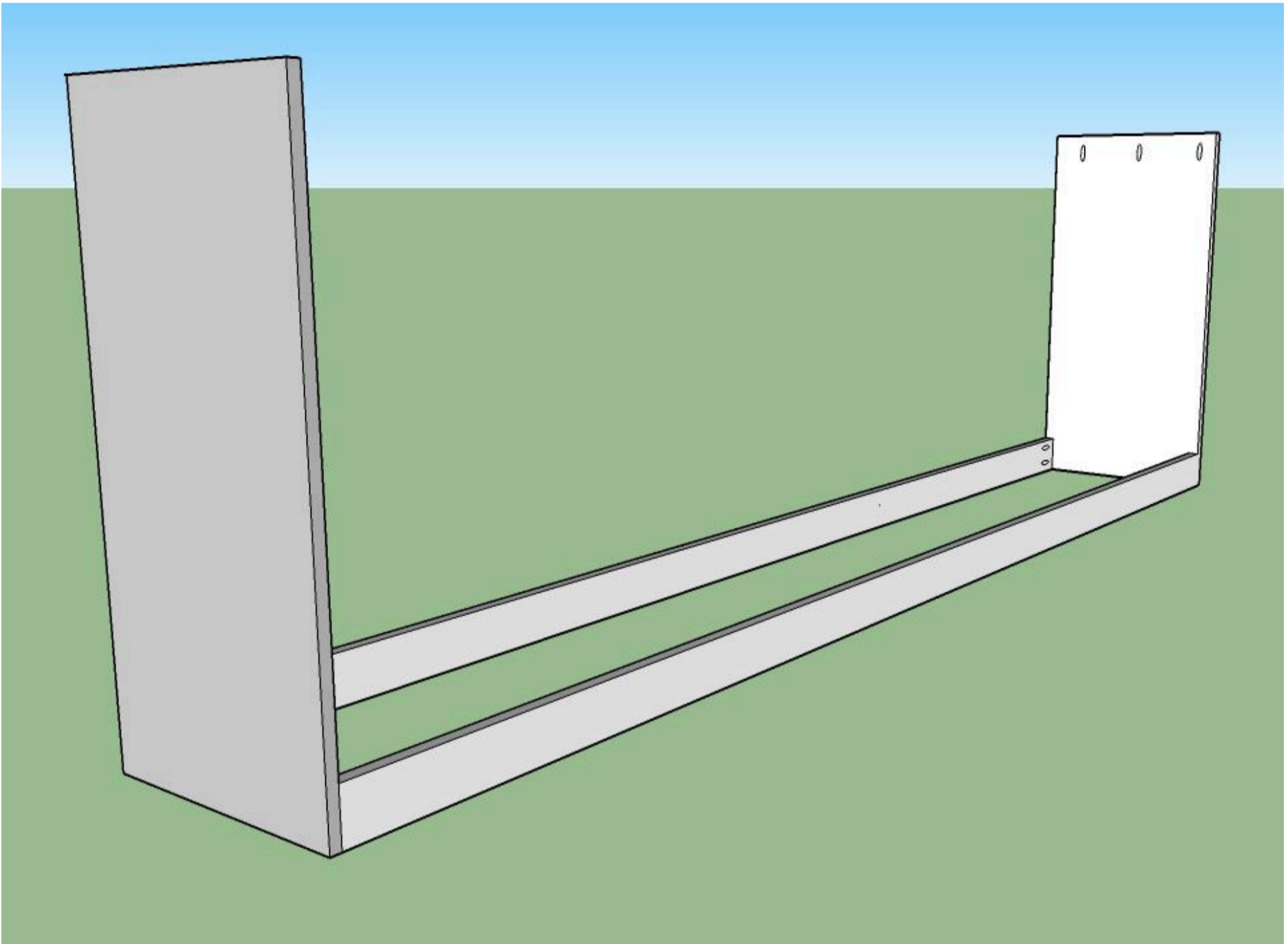
- 2 Base Unit Front And Back Supports , 3/4" X 3" X 8'
- 2 Base Unit Sides , 3/4" X 15" X 31.5"
- 1 Countertop , 3/4" X 16" X 8'3.5"
- 3 Base Unit Interior Dividers , 3/4" X 15" X 27.75"
- 2 Laundry Unit Dividers , 3/4" X 3" X 27.75"
- 4 Shelving Uprights , 3/4" X 10" X 51"
- 1 Top Shelf , 3/4" X 10" X 8'
- 6 Shelves , 3/4" X 10" X 31"

Directions

1

Create Base Frame

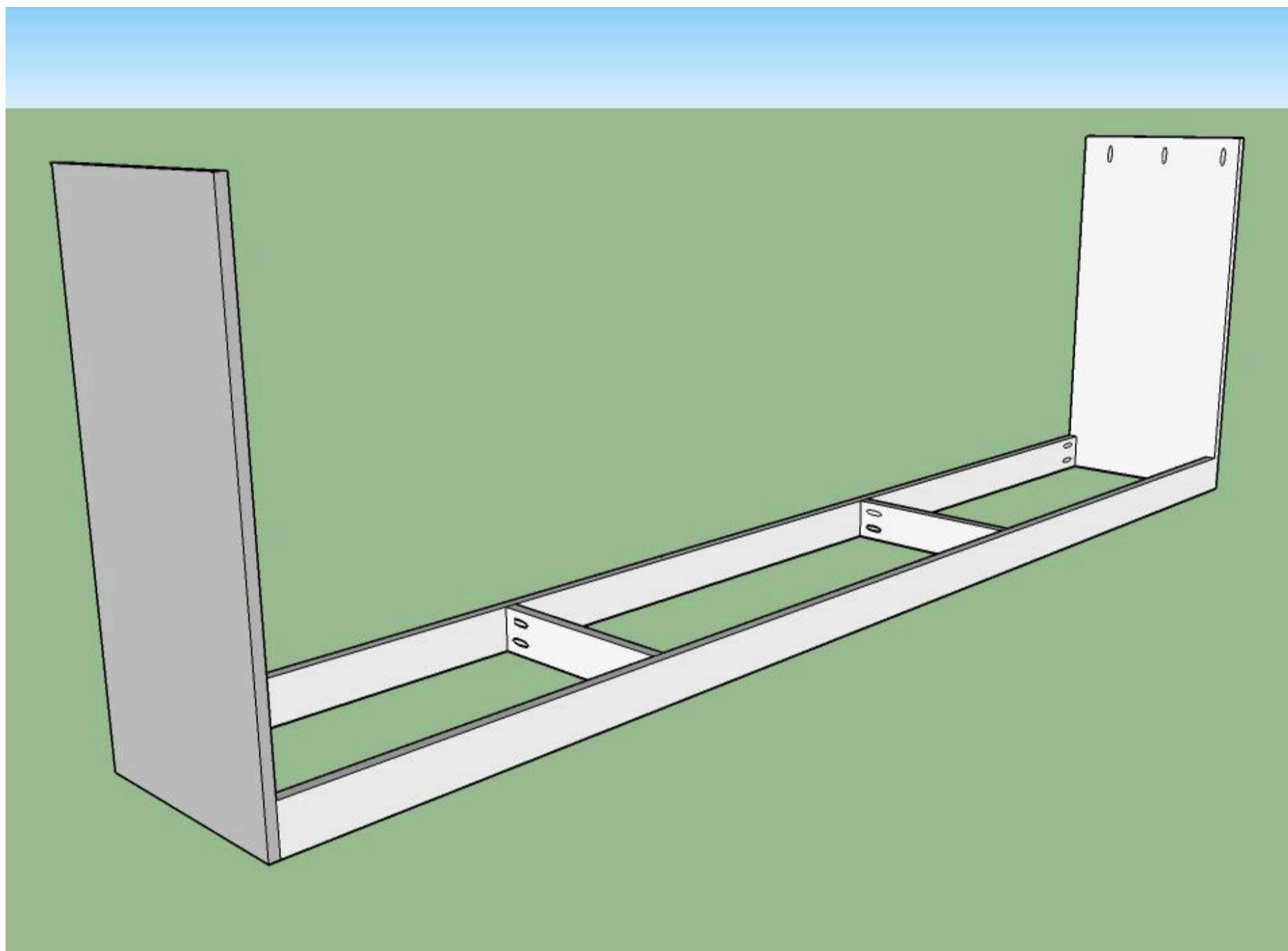
Attach front and back 3" toe kick boards to the base unit side pieces keeping the pocket holes to the inside of the unit.



2

Install Support Braces

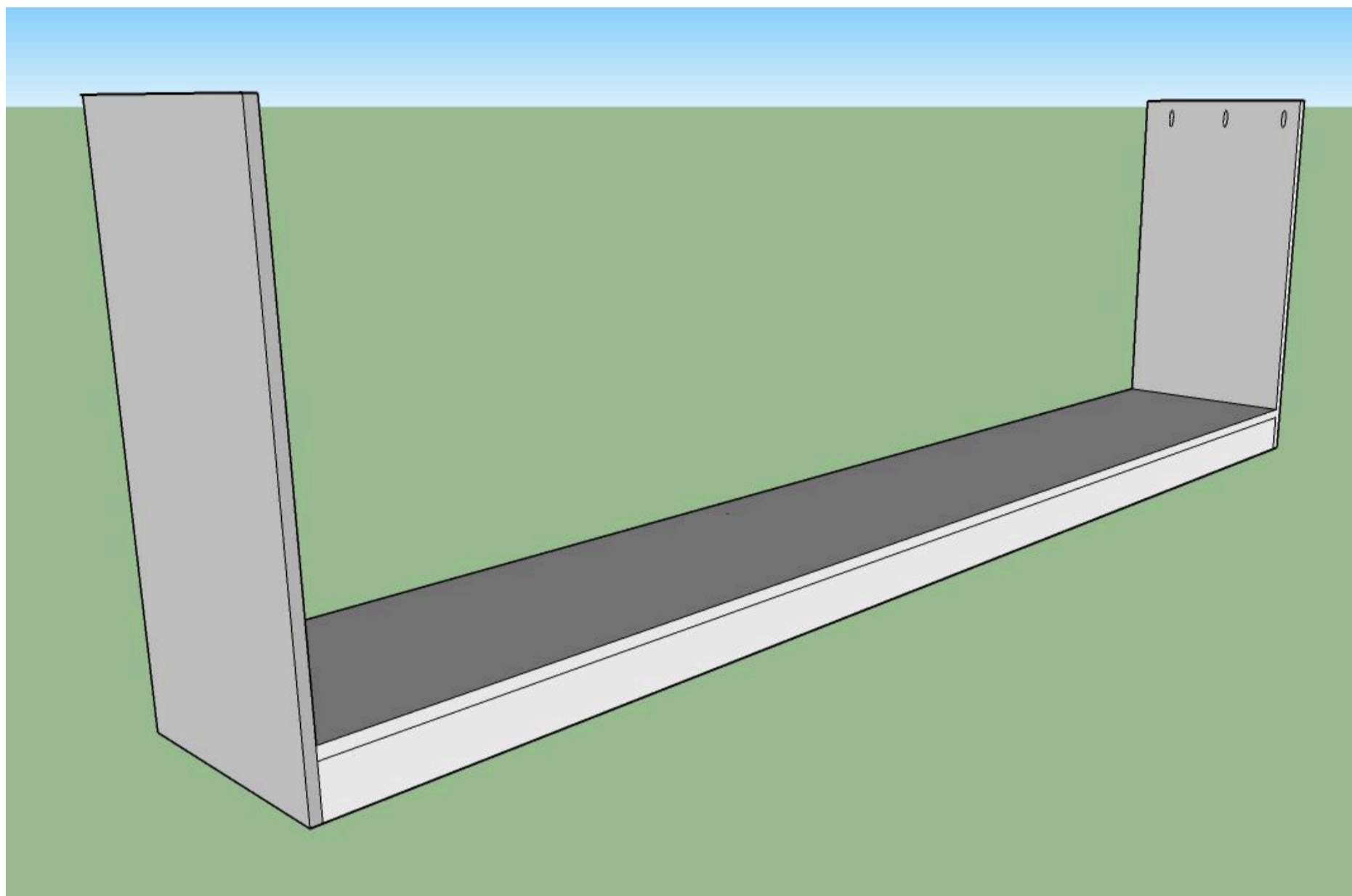
To add more support to the floor of the cabinet, install two brace pieces dividing into three equal sections.



3

Install Bottom Shelf

Attach bottom shelf on top of the support pieces.

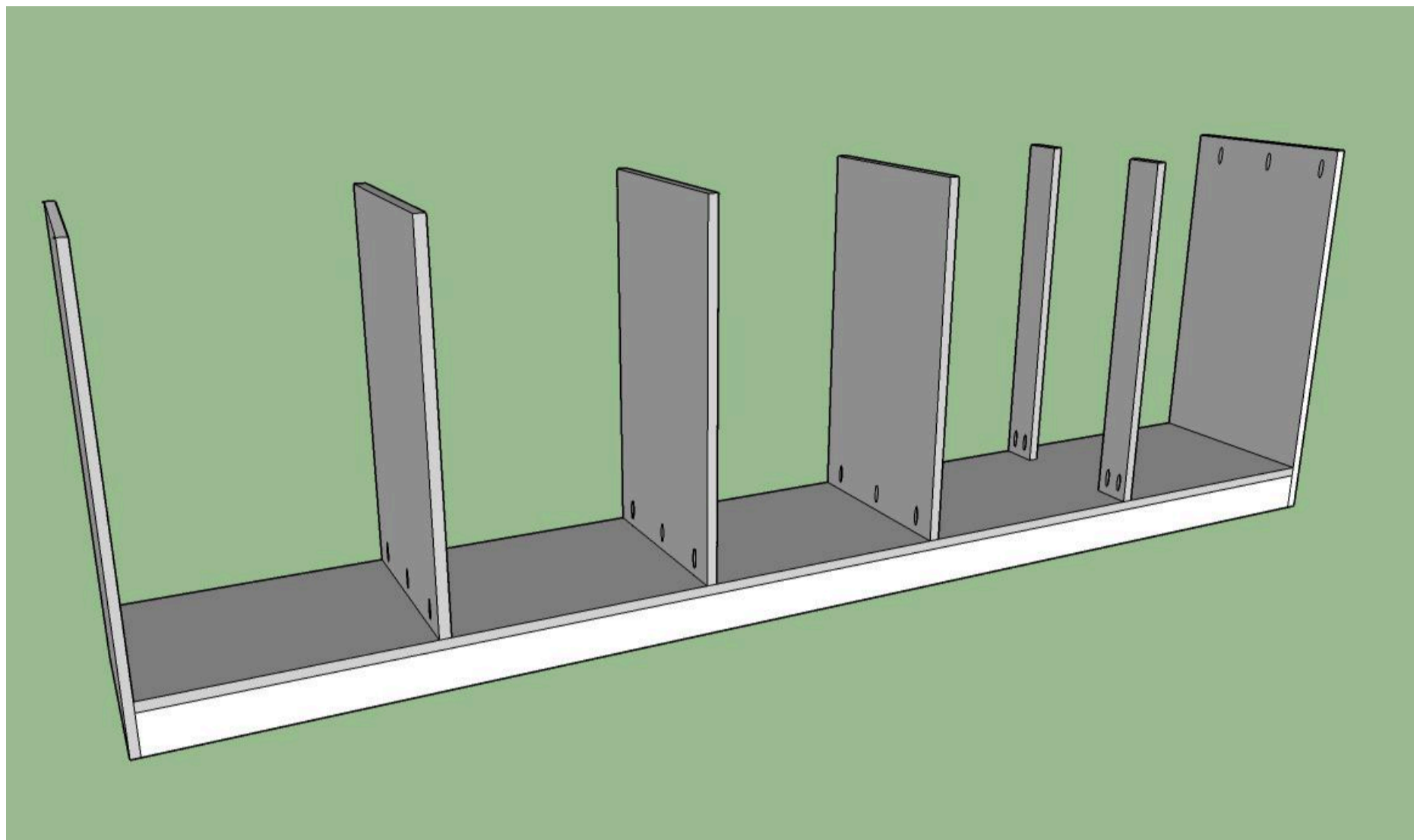


4

Install Cabinet Dividers

Install cabinet divider uprights equal distance apart down the length of the bottom shelf.

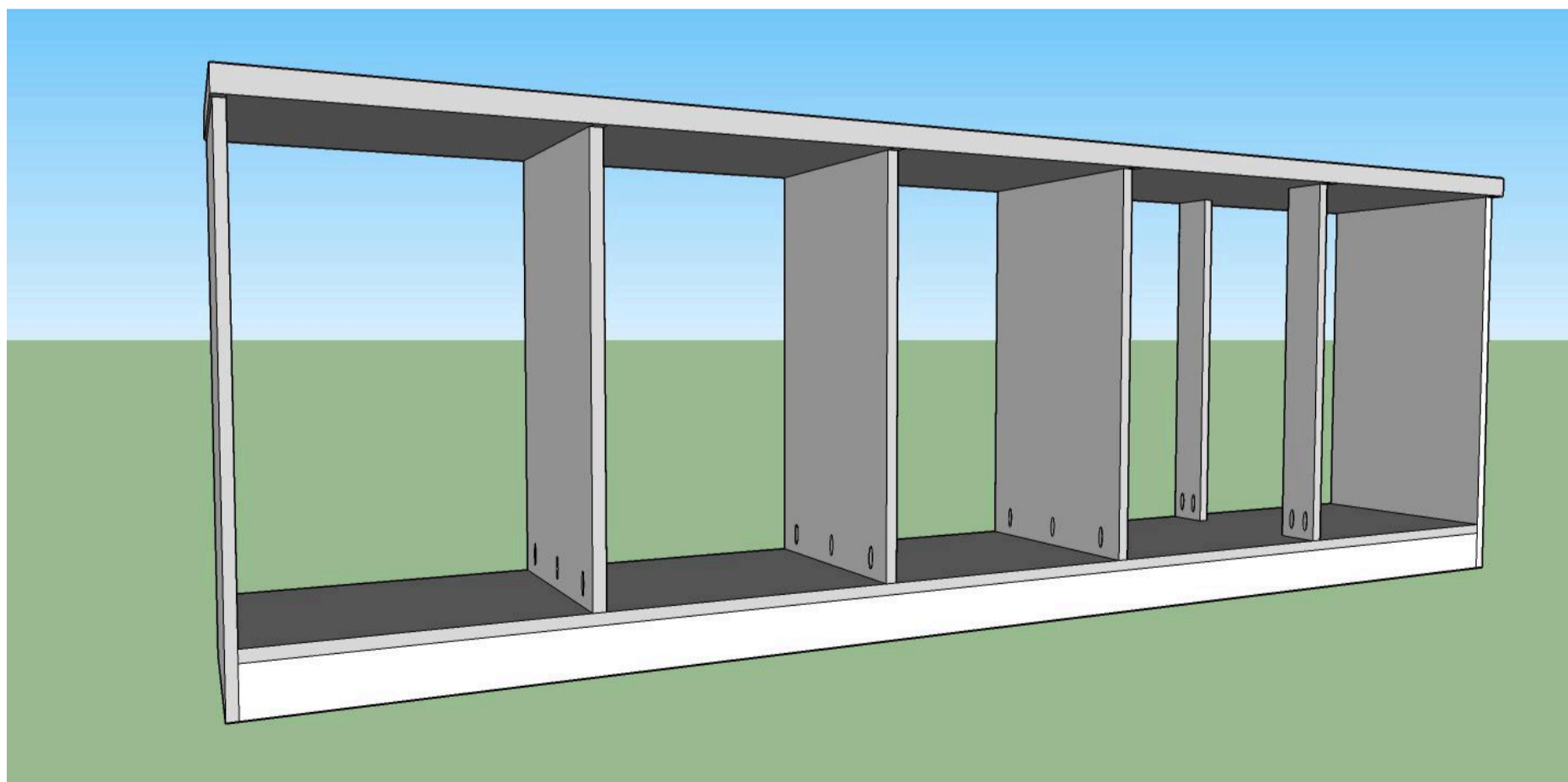
Use the 3" strip uprights between the two laundry units (where a full divider is not necessary). Adjust the width of your laundry units as needed to fit your baskets and divide the other three units equally.



5

Install countertop

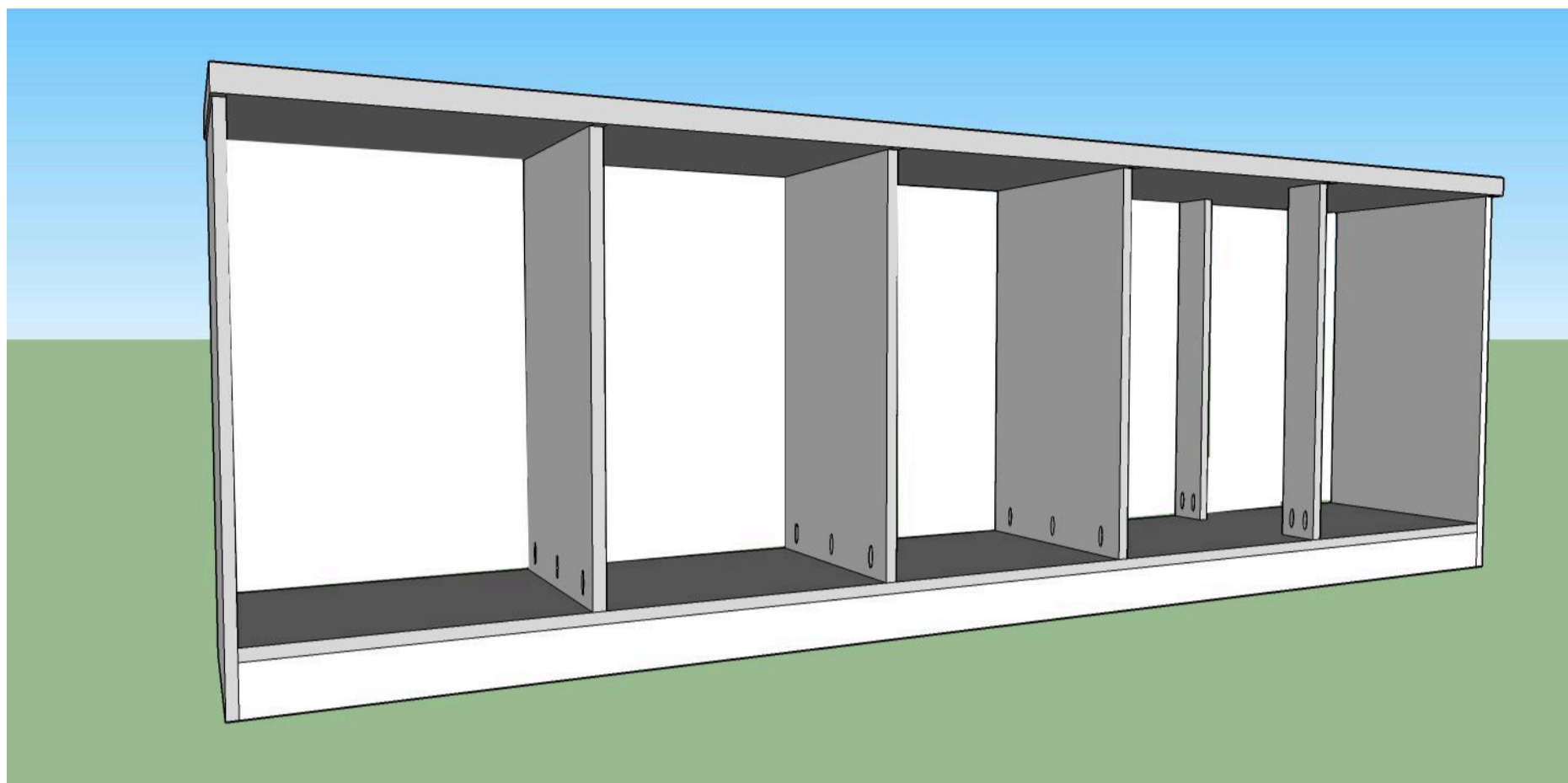
Fasten counter to the tops of the cabinet dividers using pocket hole screws in the top of the base unit uprights. Make sure to keep the uprights straight.



6

Add Backing

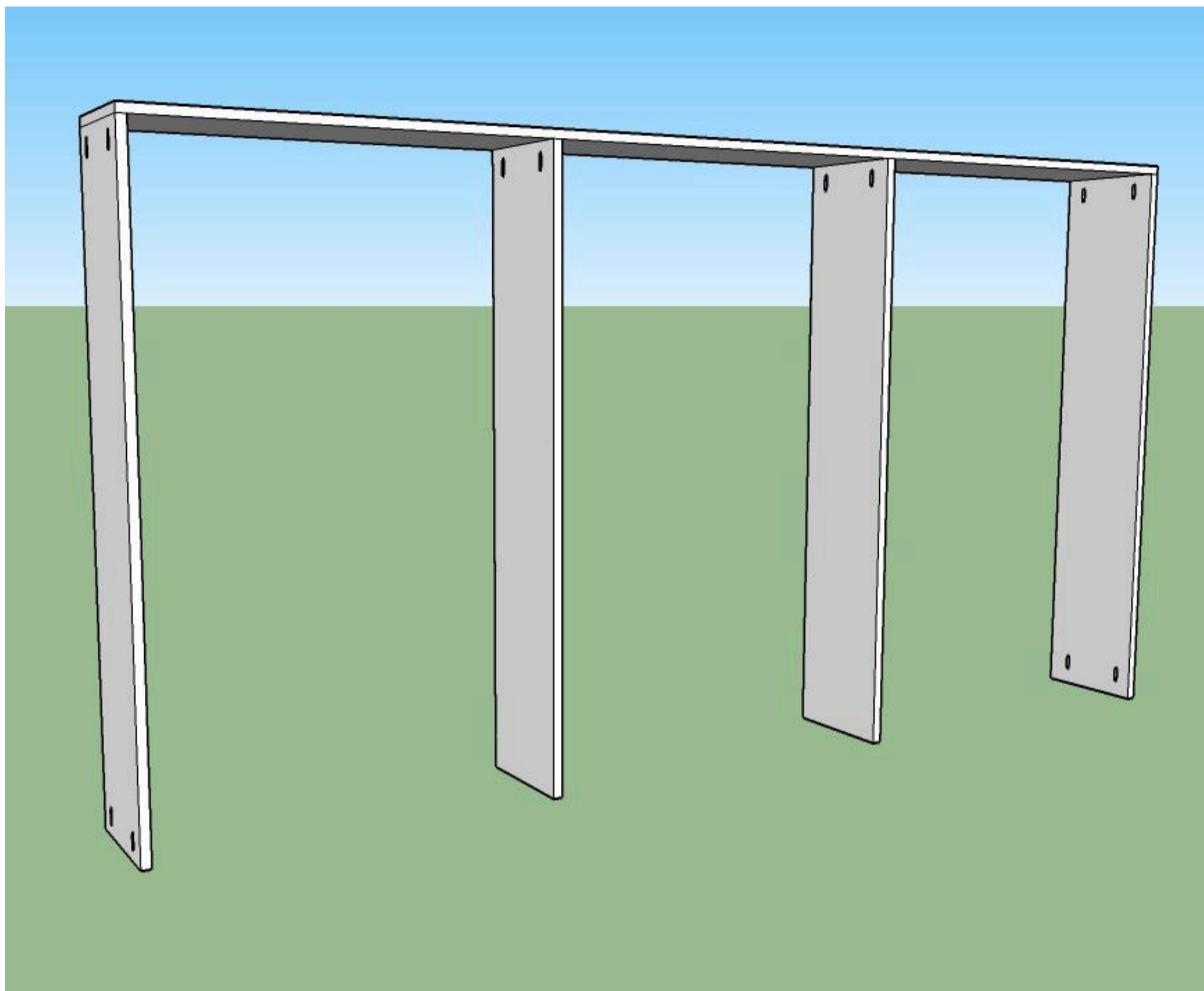
Attach 1/4" plywood backing to the back of the cabinet using nails.



7

Assemble Upper Shelving Unit

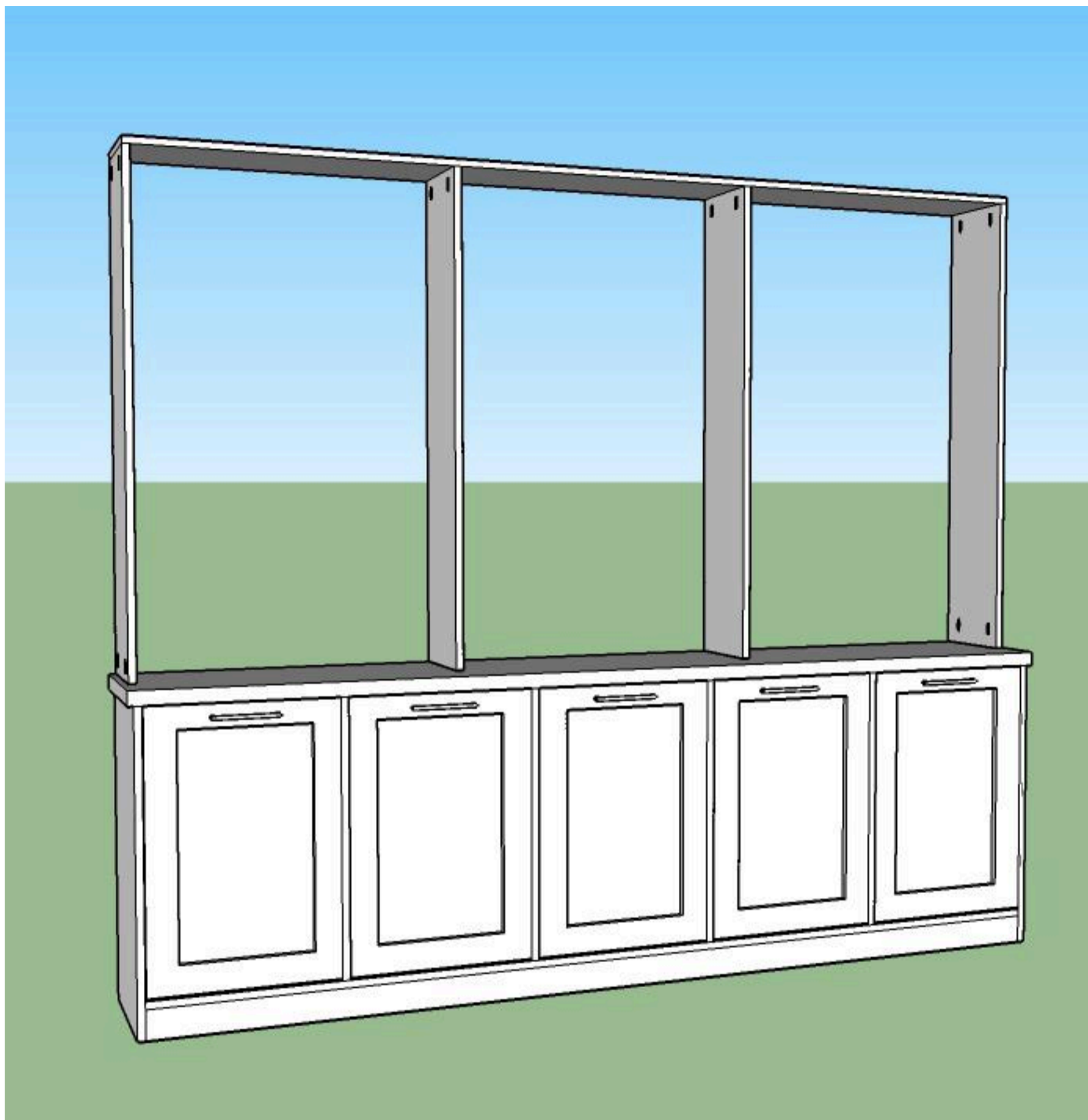
Attach upper uprights to the top shelf using pocket hole joins.



8

Lift Upper unit and Attach to Base

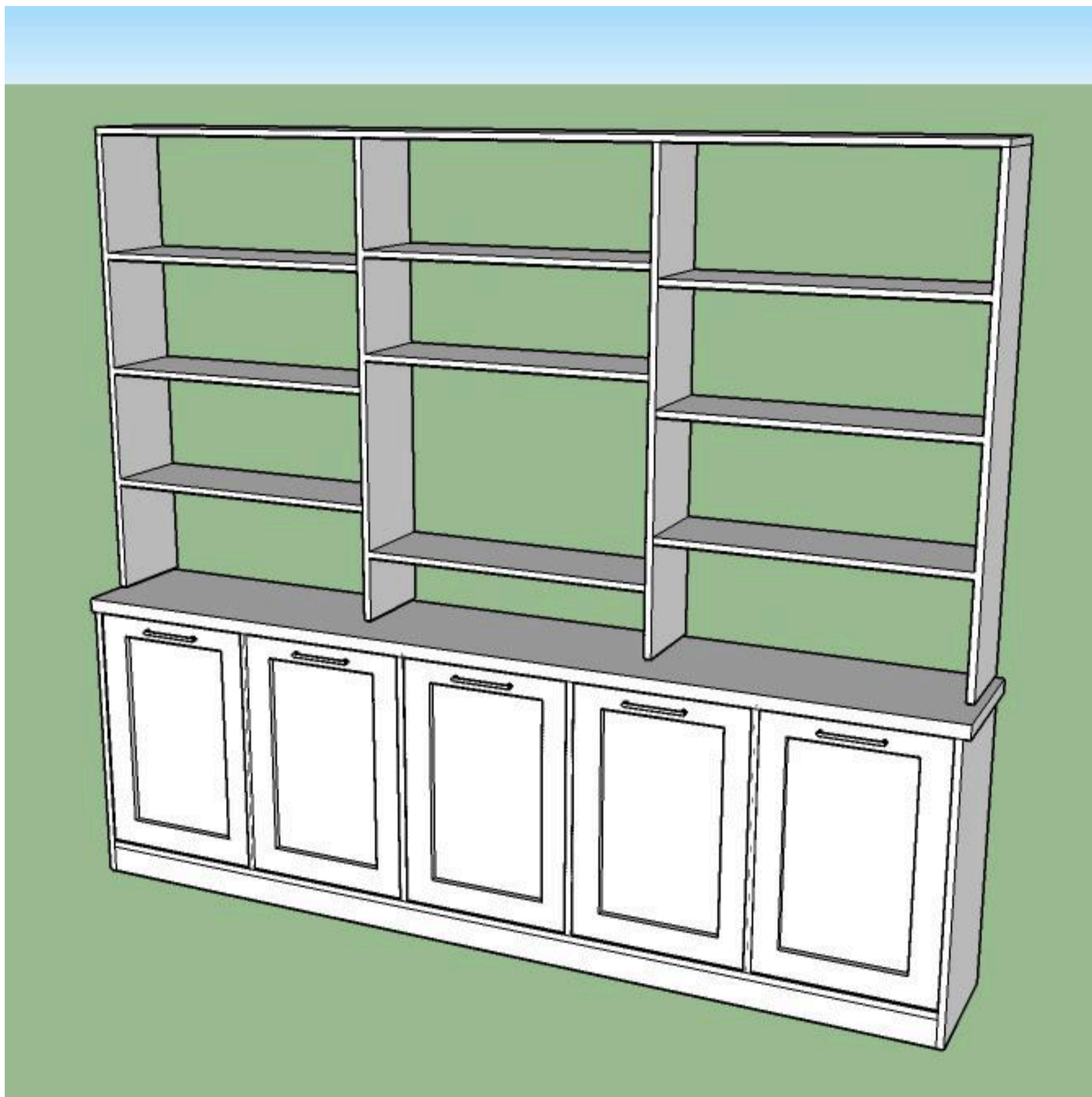
With a partner, lift the upper shelving unit onto the base and attach making sure the uprights are straight.



9

Drill Holes for Shelf Pins

Determine your ideal spacing and using the Kreg jig to drill holes for your shelf pins and then add shelves.



10

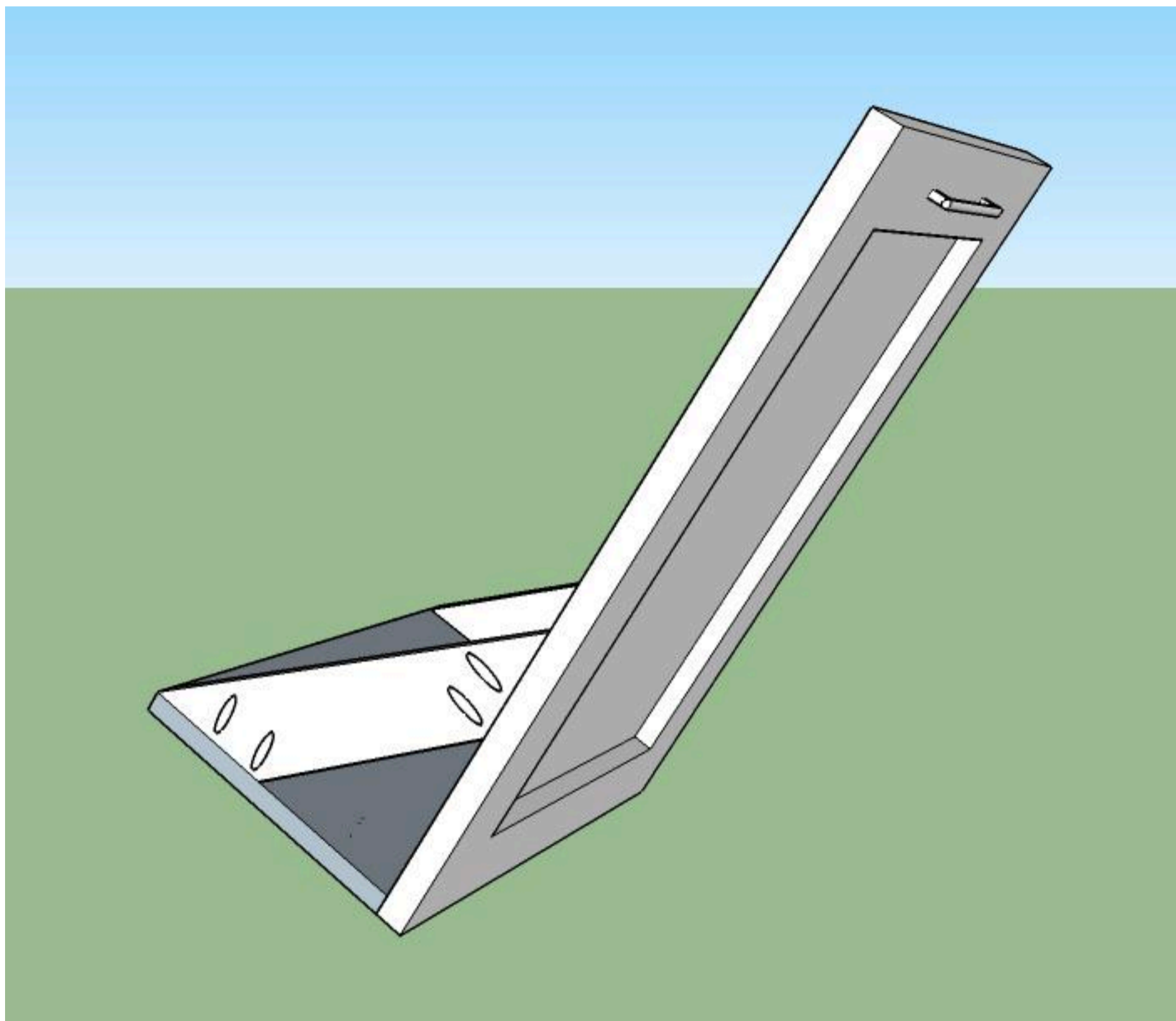
Assemble Cabinet Doors

Using your favourite method, make doors for each of your cabinet sections (five in total).

11

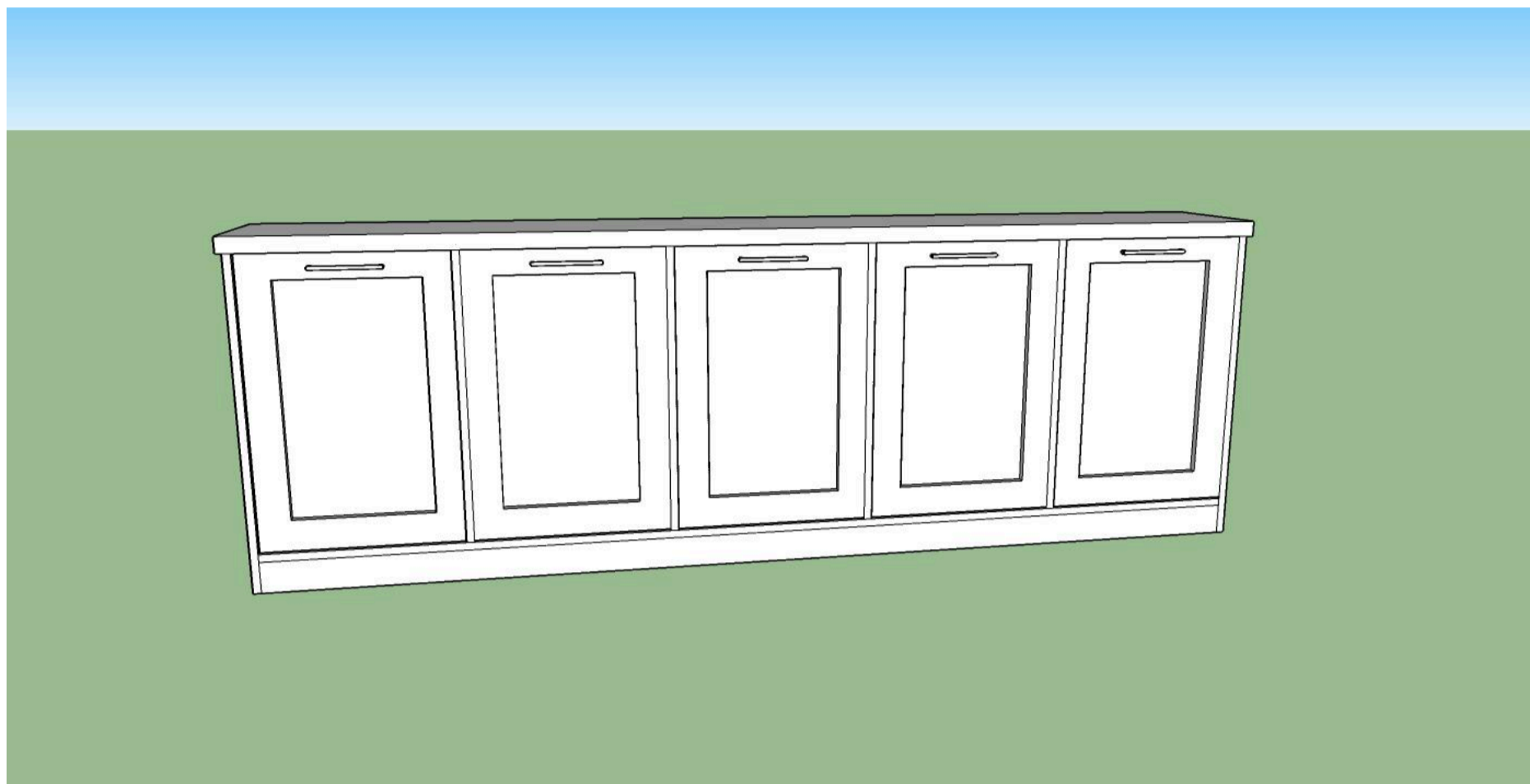
Build Tilt-Out Laundry Units (2)

Attach laundry unit base to the bottom of the door. Add extra supports using two 3" pieces cut on the diagonal.



12**Install Cabinet Doors**

Install your three regular cabinet doors using the hinges of your choice. Install the hinges for the laundry units to the base unit at the bottom of the doors instead of at the side. Small pieces of chain can be added at the sides to prevent the laundry units from falling forwards.

**13****Make Cuts and Prepare Pocket Holes**

Using the cut list provided make all necessary cuts. Use the Kreg Pocket Hole Jig to add pocket holes to all pieces as indicated in the diagrams.

For the base unit dividers and shelving uprights I like to drill my pocket holes on the opposite sides of the boards at the top and bottom. With the exception of the end boards which should always have the pocket holes on the inside.