

Rolling Trash Can Cabinet

By **Castor Woodworks**

Difficulty

Moderate

This Rolling Pull-Out Trash Can Cabinet is perfect for your outdoor patio. It comes loaded with two sets double waste containers perfect for Hosting Outdoor Events!

It rolls away when not in use and have a Rustic Farmhouse Style!

www.instagram.com/castor_woodworks



Tools

Other Tools

- Miter Saw
- Square
- Table Saw
- Track Saw
- Clamps
- Drill (cordless)
- Router
- Sander

Materials

Wood Products

- 7 Cedar Boards , 1x6 , 96"
- 2 Cedar Planking , 1/4" Cedar Planking , 96"

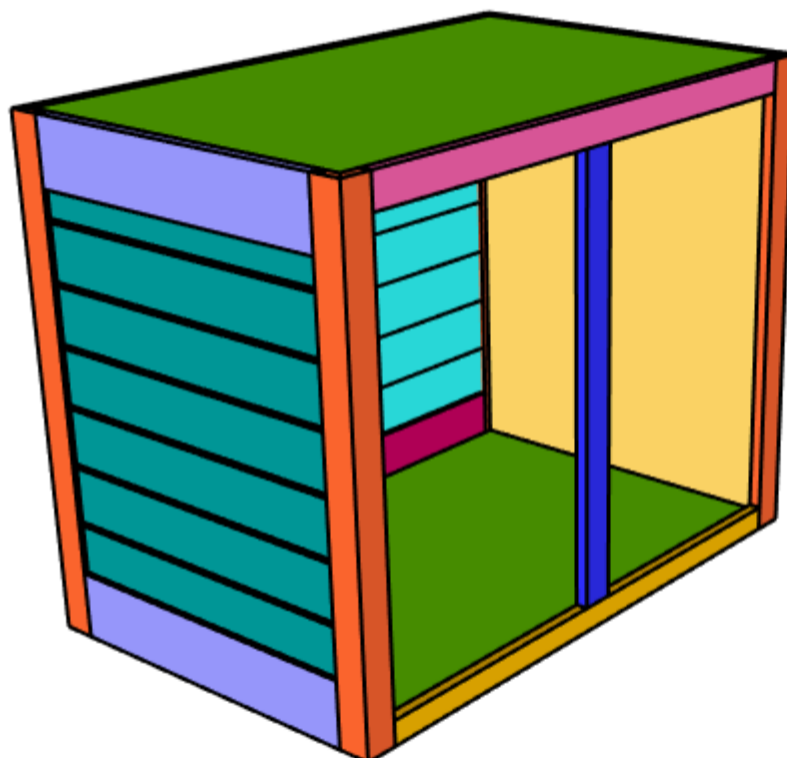
Hardware & Supplies

- 4 Casters
- 2 Rev-A-Shelf - 53WC-2150SCDM-217 - Double 50 Qt

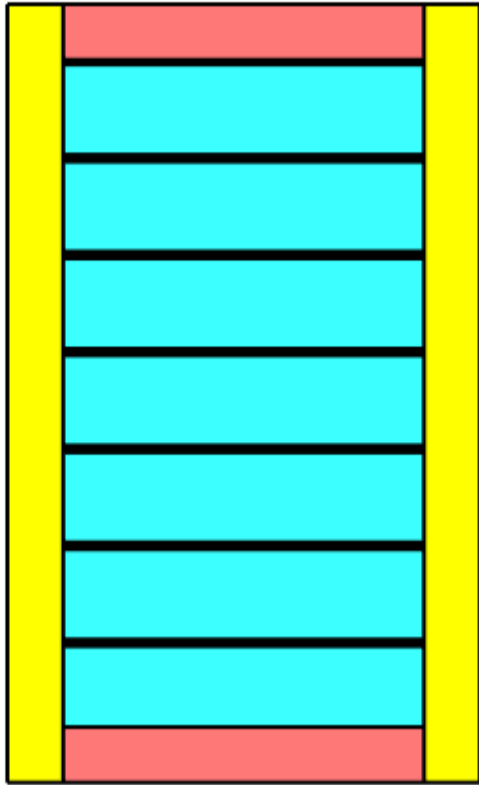
Cut List & Parts

2 Cabinet Sides , 28 1/2" X 22 1/2" X 3/4"

Carcass/ Frame					
Quantity	Description	Length(L)	Width(W)	Thickness(T)	Notes
2	Cabinet Sides	28 1/2"	22 1/2"	3/4"	
4	Top/Bottom	36 1/2"	22 1/2"	3/4"	
8	Corner Stile	30 1/4"	2"	3/4"	Cut at 45 Degrees
4	Side Rails	21"	4"	3/4"	
14	Side Panels	21"	3 1/2"	1/4"	
2	Back Rails	35"	4"	3/4"	
7	Back Panels	21"	3 1/2"	1/4"	
1	Top Rail	34"	2"	3/4"	
1	Bottom Rail	34"	1 1/2"	3/4"	
1	Center Rail	26 3/4"	4"	3/4"	



Doors					
Quantity	Description	Length(L)	Width(W)	Thickness(T)	Notes
4	Rails	14"	2"	3/4"	Make 1/2" grove down the middle and 1/2" tongues on router.
4	Stiles	28"	2"	3/4"	
14	Door Panels	13 7/8"	3 1/2"	1/4"	



Directions

1

Complete Cut List

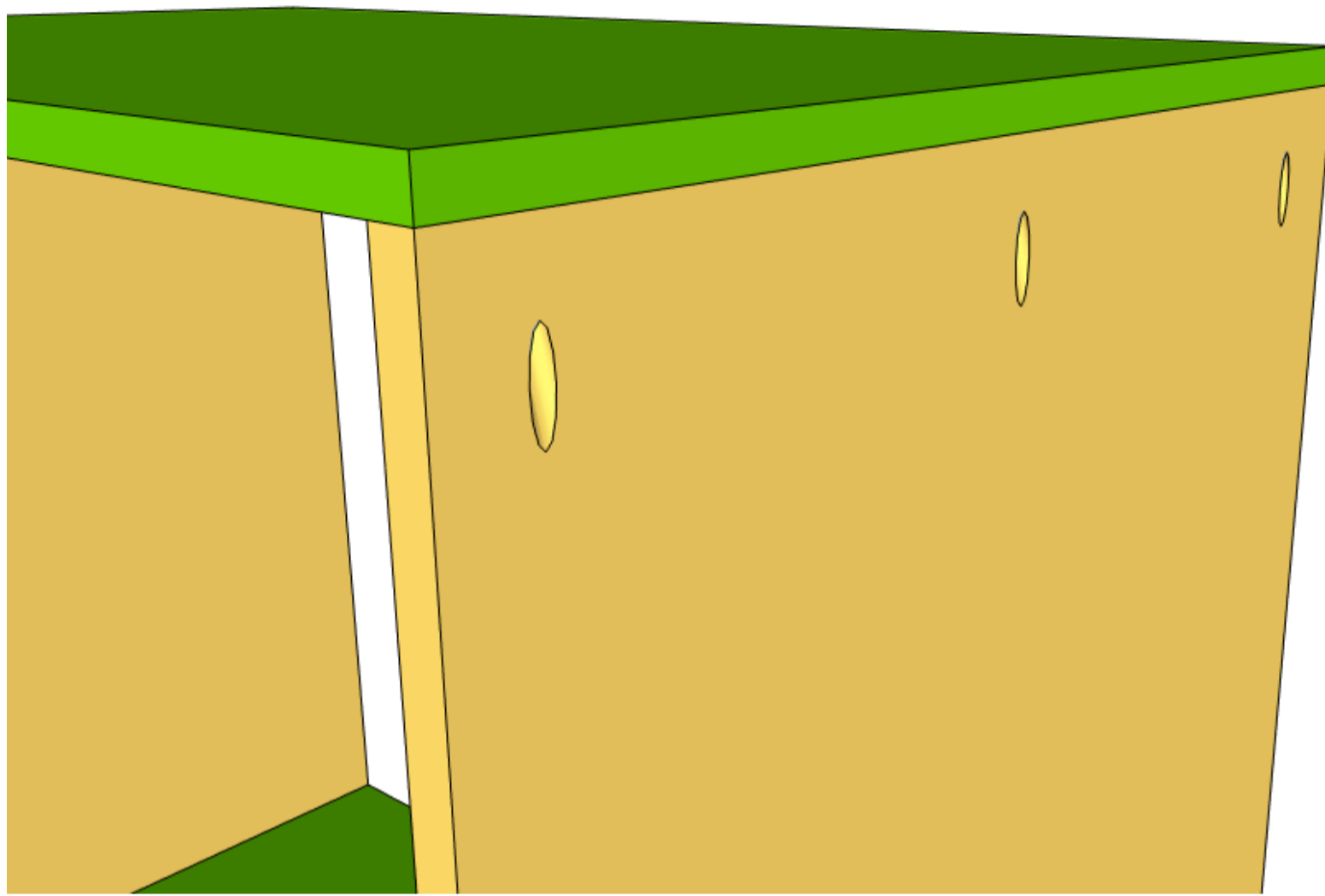
Use the cut-list to break down 3/4" plywood to the specified dimensions. Use a circular/track saw to cut your pieces down to manageable pieces then cut to final size on the table saw.



2

Drill Pocket Holes

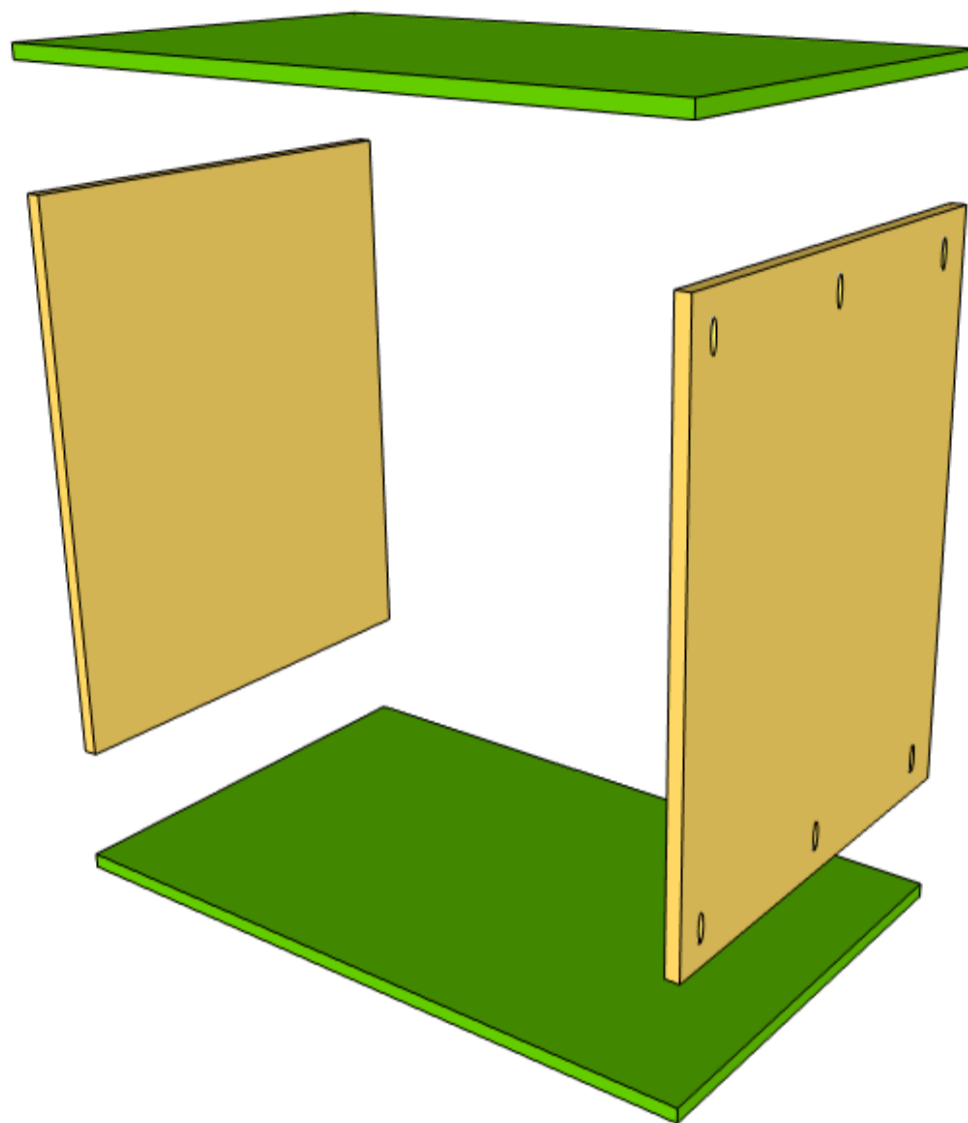
Drill pocket holes on each end of the Cabinet Sides. Space them out every 6" or so.



3

Assemble Cabinet

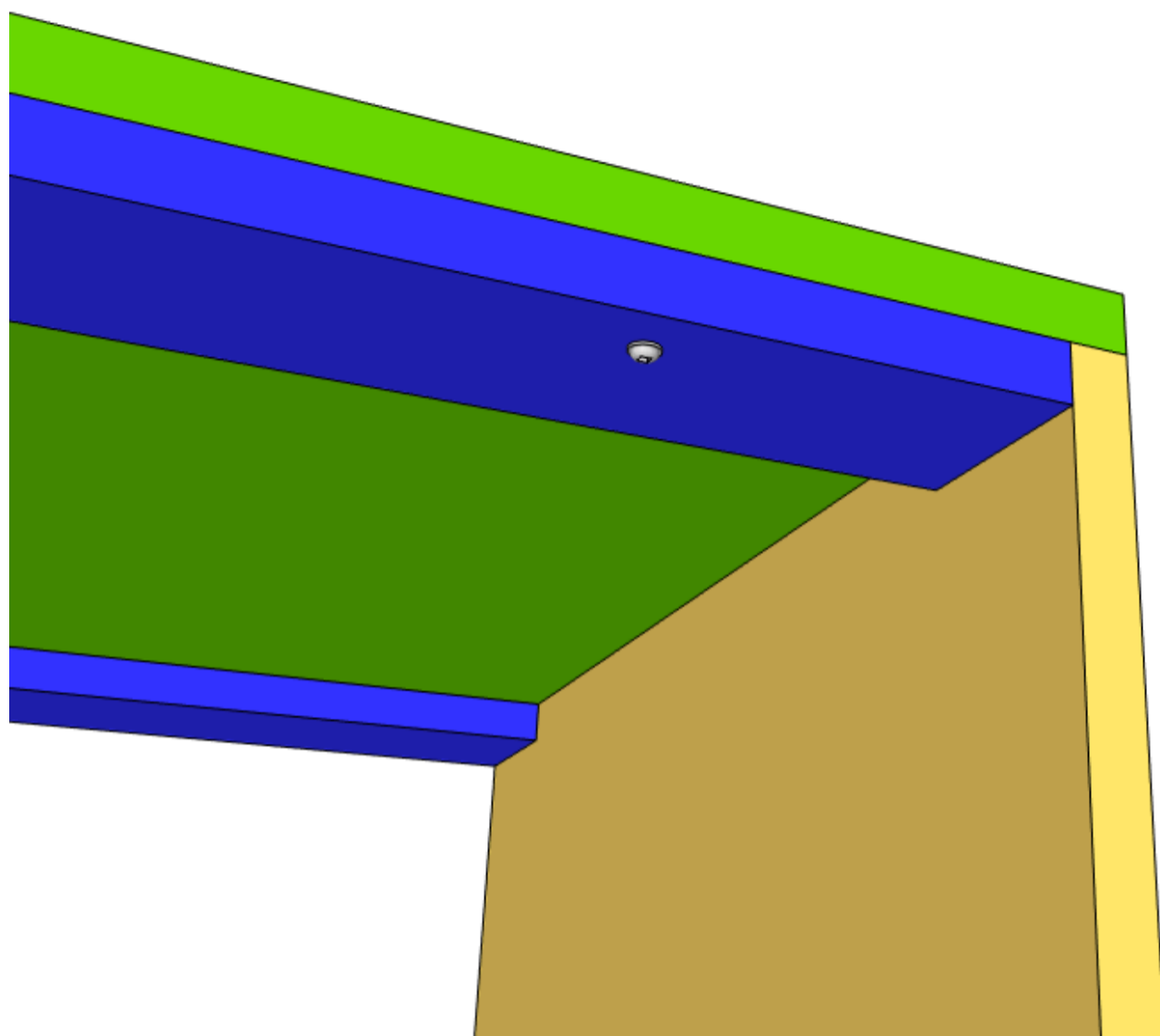
Attach the Sides to the Top and Bottom pieces uses 1 1/4" pocket screws. Make sure the joints are square during assembly.



4

Add Stretchers

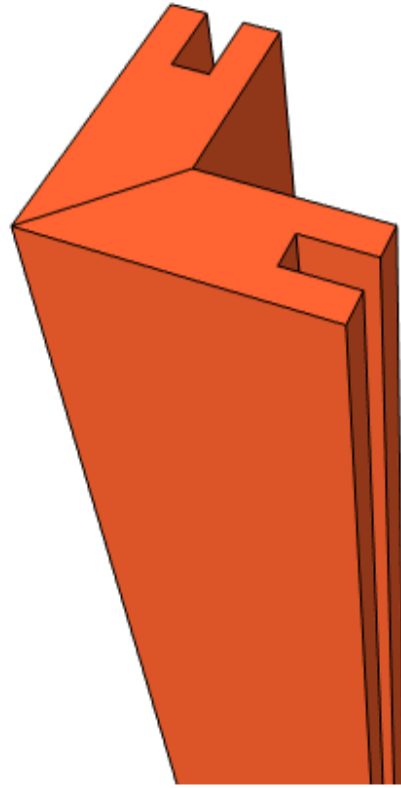
Add Two Stretchers to the Top of the cabinet along the front and back sides. Use 1 1/4" Pocket Screws to secure them in place.



5

Mitered Corner Frames

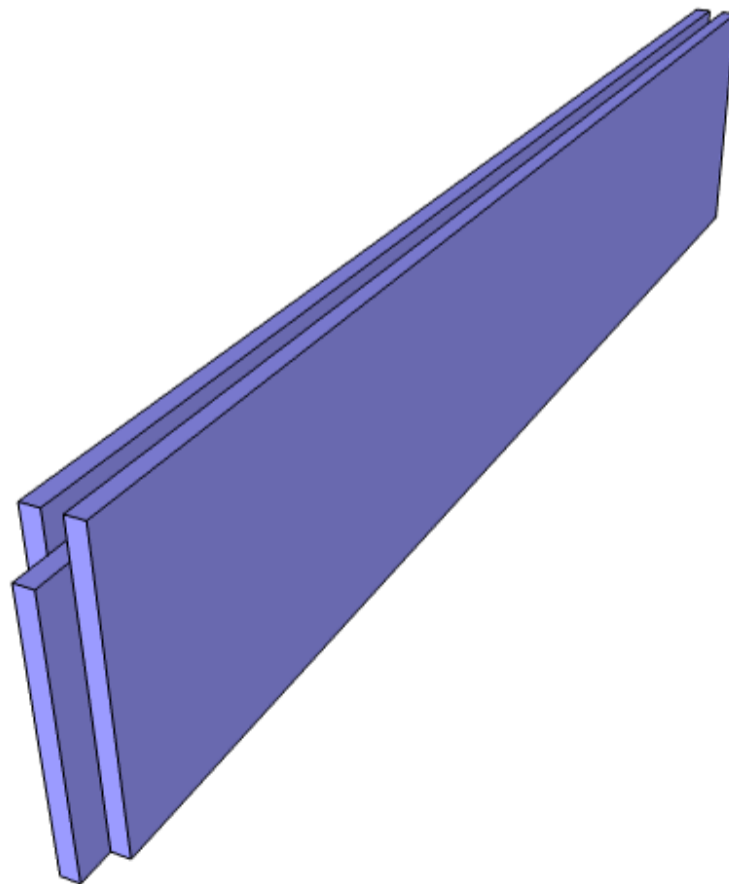
Start off by running your corner stiles through your table saw at 45 degrees. Once all your bevels are cut you are going to run them through your router table using a tongue and groove bit. After all your grooves are cut, glue both pieces together to make a 90 degree corner.



6

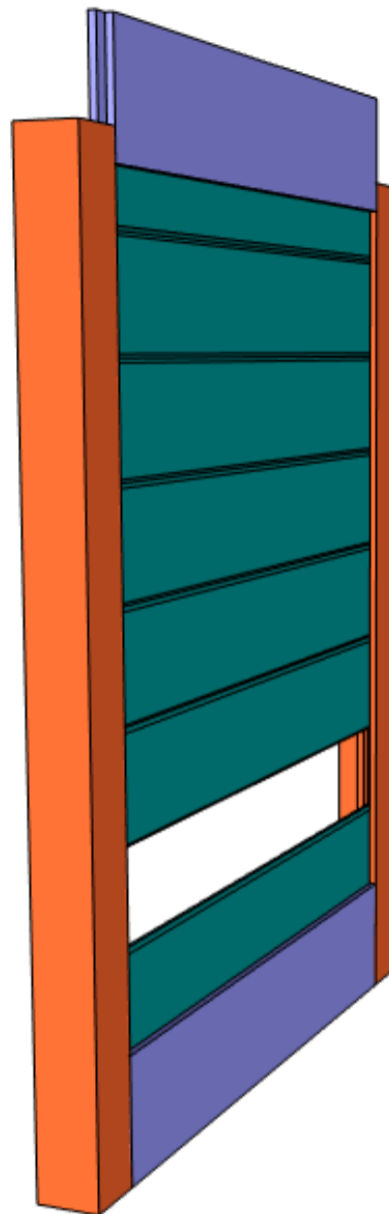
Cut Tongues on Side Rails

Cut a groove in your Side Panel Rails so that it can accept a 1/4" panel. Next use your groove bit to make a tongue for face frame assembly.



7**Side Panel Assembly**

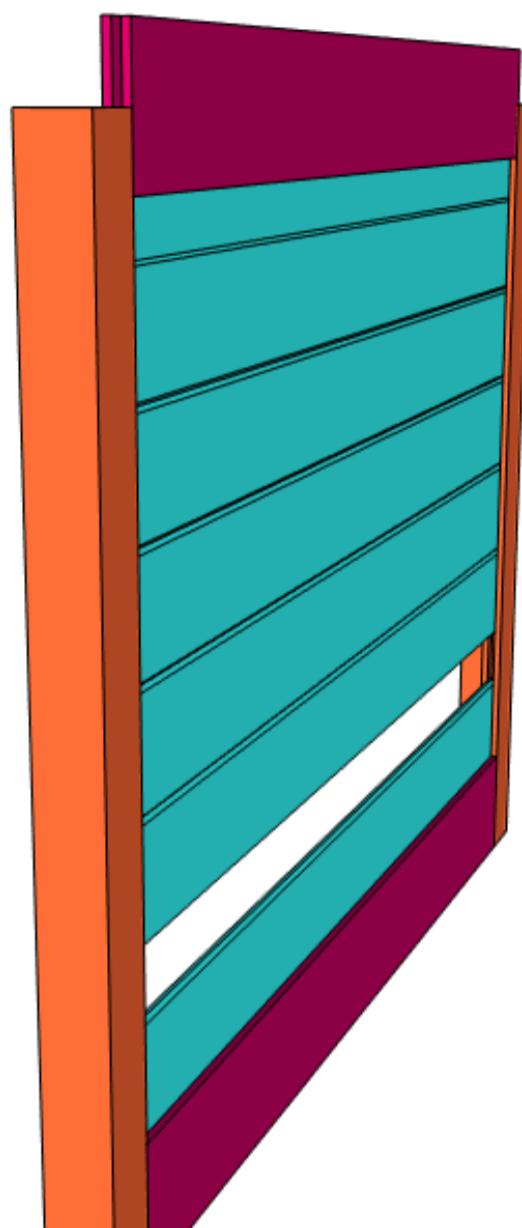
Start by installing the bottom Side Rail to your Corner Stiles with wood glue. Slide your Side Panels in one by one until you get to the last one. The top side panel will most likely have to be trimmed before you can install the Top Rail.



8

Back Panel Assembly

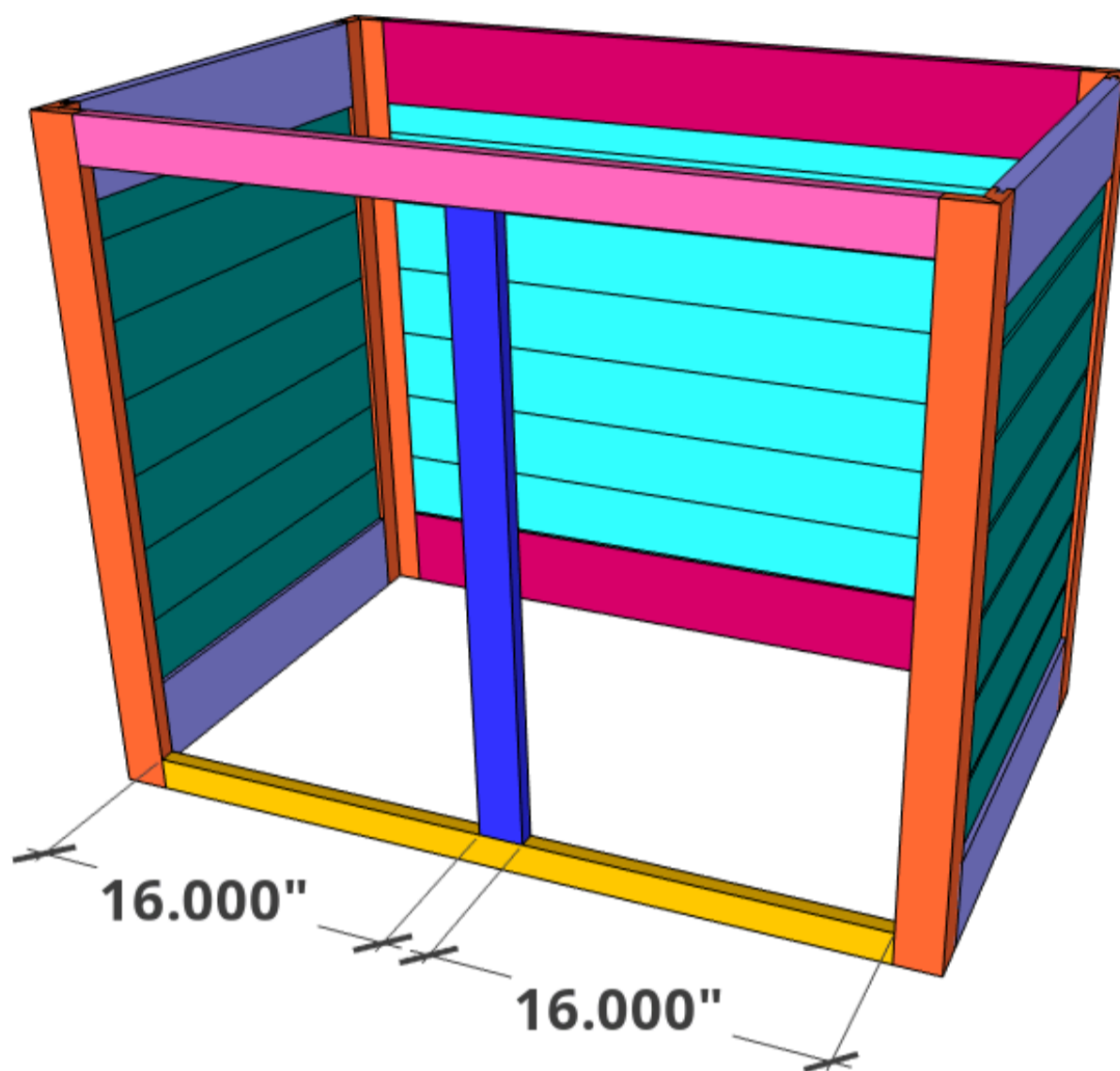
Repeat Step 7 for your Back Rails and Back Panels.



9

Attach Face frame pieces

Attach your Top and Bottom Rails to the frame using 1 1/4" pocket screws. Add the Center Stile to the front frame making sure you have 16" gap on both sides.



10

Drop in Face Frame

Flip the carcass upside down and drop in the frame slowly. Once the frame is dropped in secure the carcass to the sides with a few 1 1/4" screws where the rails are.



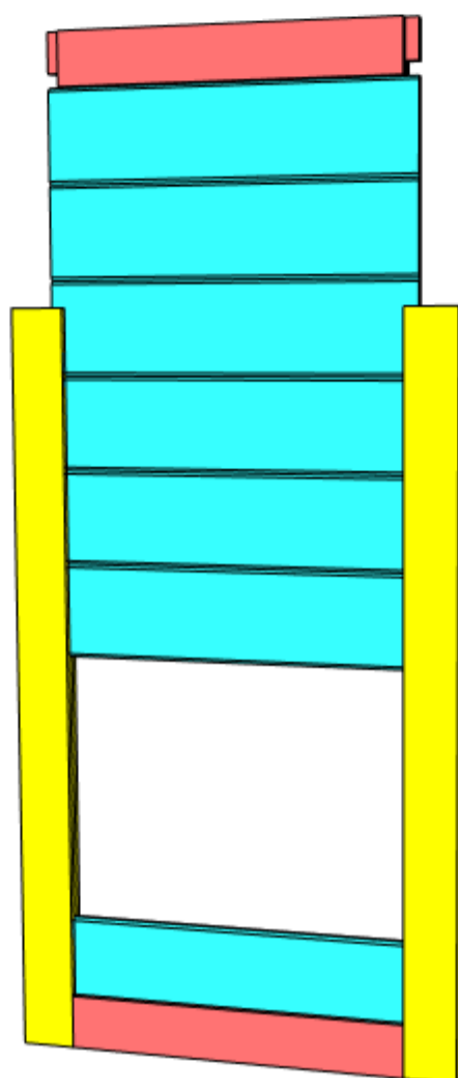
11

Flip Frame Upright

Once your frame has been secured to the carcass flip it back over to begin making the doors.

12**Make the doors**

Start glue-ing up your door by taking one of the rails and adding wood glue to both of the tongues. Clamp your bottom rail to both of your stiles and begin placing center panels in until the door is complete. Drop in the top rail and let the door dry for about an hour.

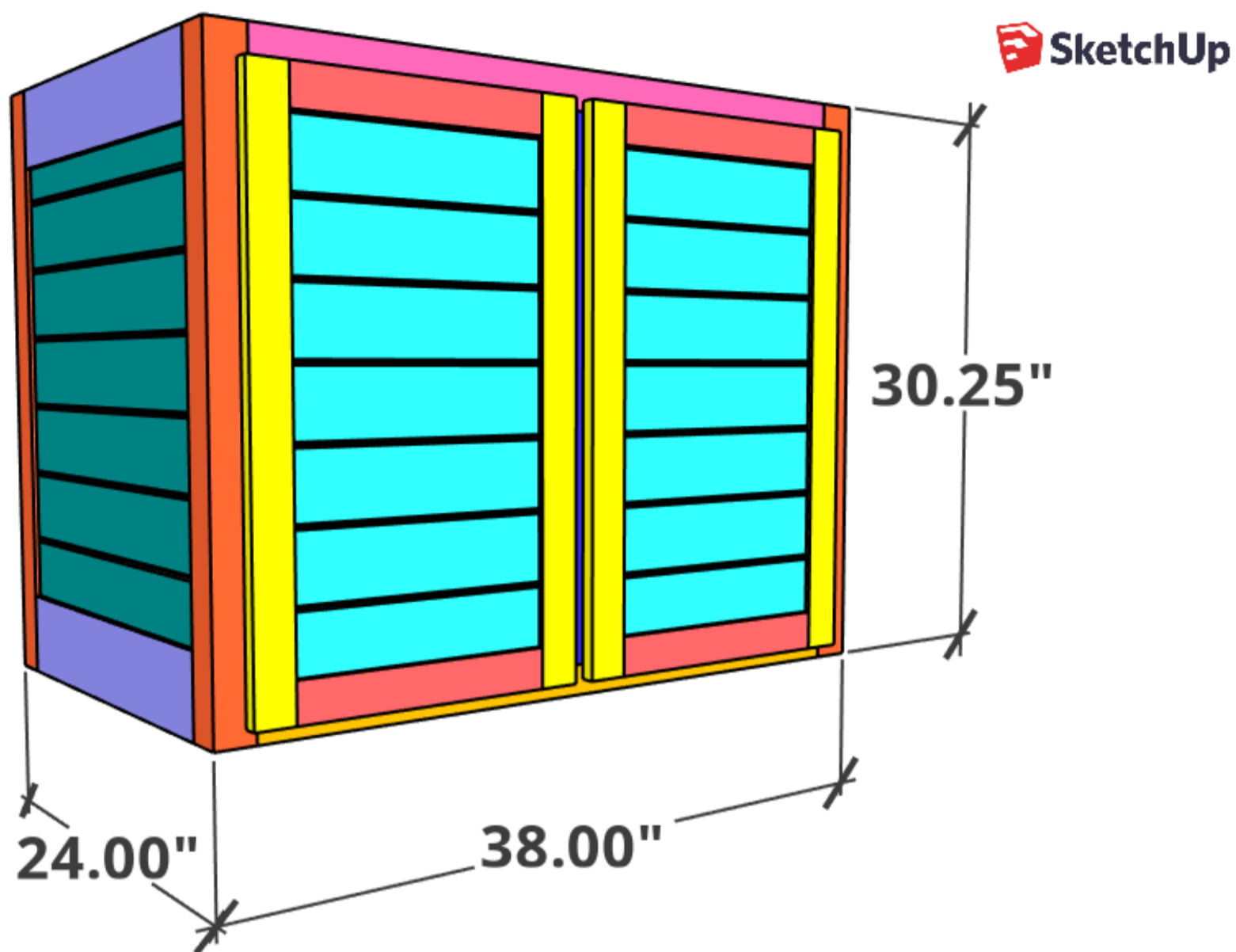
**13****Attach the Doors**

Use the provided instructions from Rev-A-Shelf to attach the doors to the hardware brackets.

14

Overview

At this point your cabinet is ready for Hardware and Sanding/finishing. Attached cabinet pulls/knobs to each door and secure the casters to the bottom of the carcass.



15

Prep for Sanding/Finish

Sand the frame and doors to 150 and apply your favorite stain. Once its dry add two coats of Poly and the cabinet is ready!

16

Attach the Top

I made my cabinet with a granite top so i just drop it in place. If you are making a wood top, secure it to the carcass with some wood screws.