

Modular Plate Rack

By **Sawdust 2 Stitches**

Difficulty

Easy

A great compromise of form and function. This Pottery Barn inspired plate rack is part of a modular set that can be used in combination with other modular pieces (see image 2), or it can be used alone!



Tools

Other Tools

Miter Saw

Tape Measure

Drill (cordless)

Nail Gun

Sander

Materials

Wood Products

2 Board , 1x6 , 96"

2 Board , 1x2 , 96"

Hardware & Supplies

1 Jacobean Stain By Minwax

1 Wood Filler

1 2 Inch 16 Gauge Finish Nails

1 Wood Glue

Cut List & Parts

- 2** Side Frame , 3/4" X 5 1/2" X 25 1/2"
- 3** Shelves , 3/4"x 5 1/2 " X 24"
- 5** Front Rails , 3/4" X 1 1/2" X 25 1/2"
- 1** Back Support , 3/4" X 1 1/2" X 24"

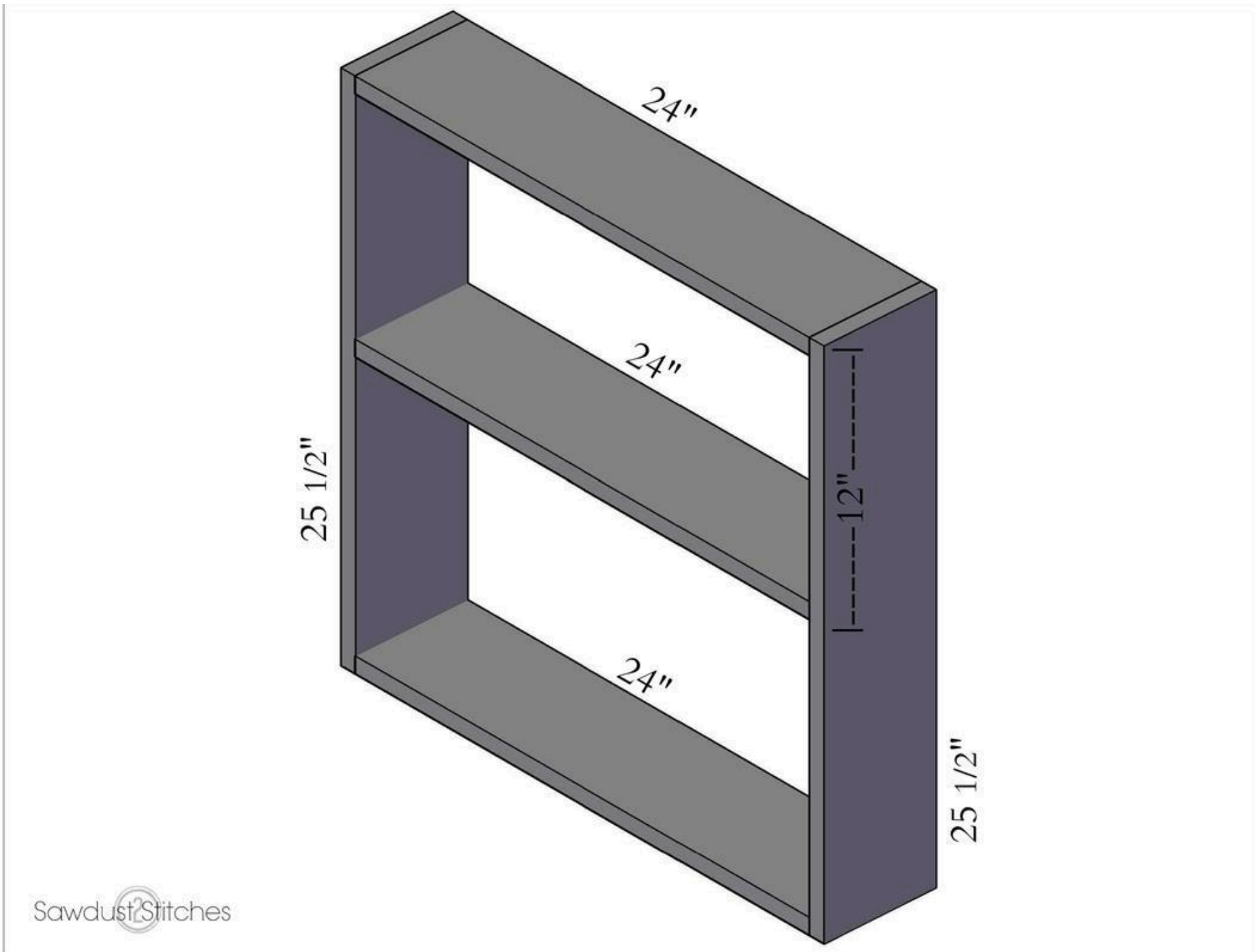
Directions

1

Frame

Join both 25 1/2" and 24" 1x6" boards using wood glue and 2 inch, 16 gauge finishing nails. This will form a 25 1/2" square.

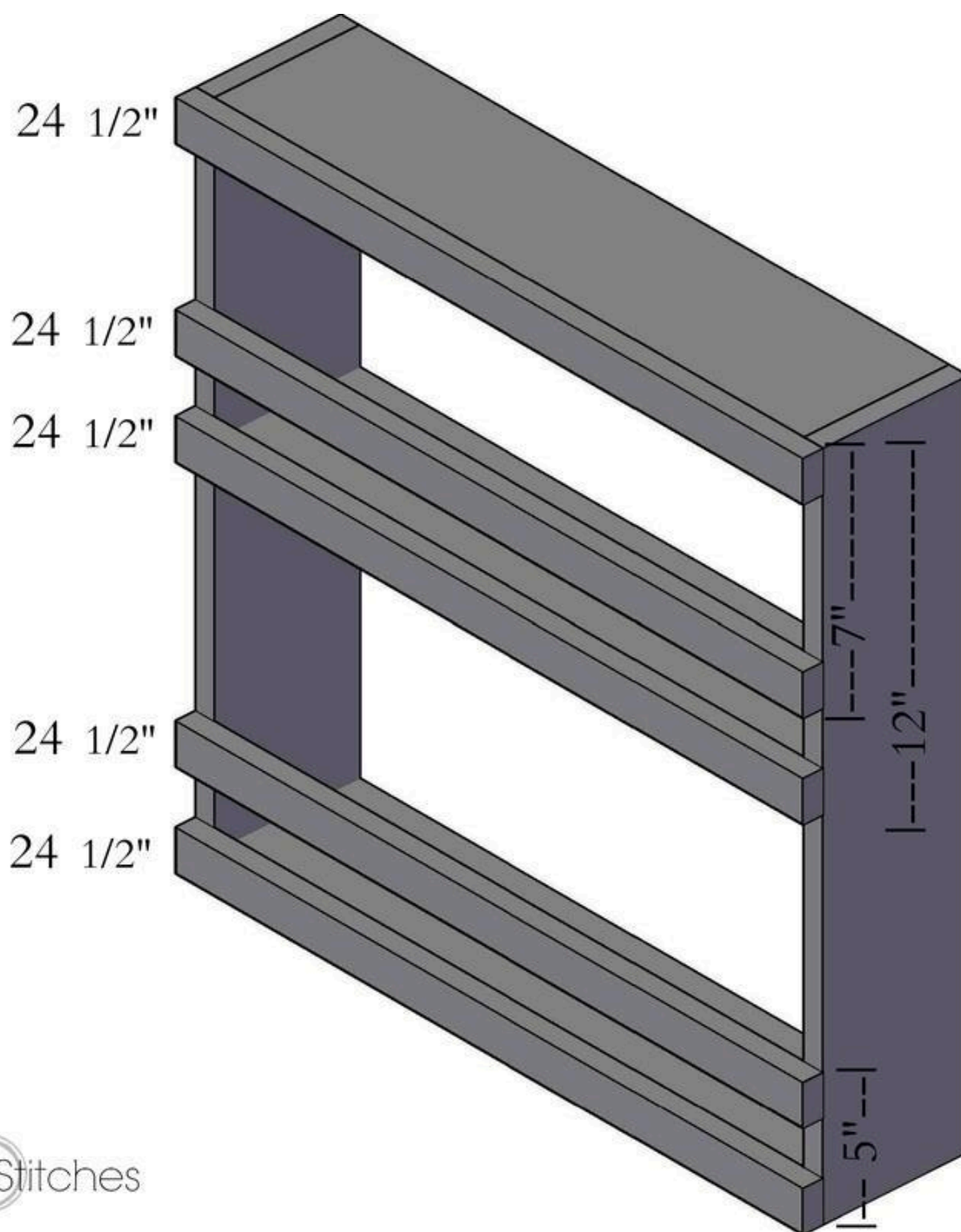
Insert remaining 24" 1x6" board so that the bottom of the board is 12" from the top of the unit. Then secure using glue and 2" 16 gauge finishing nails.



2

Front Rails

Attach the 25 1/2" 1x2" board(s) to the face of the unit using wood glue and 2 inch 16 gauge finishing nails.

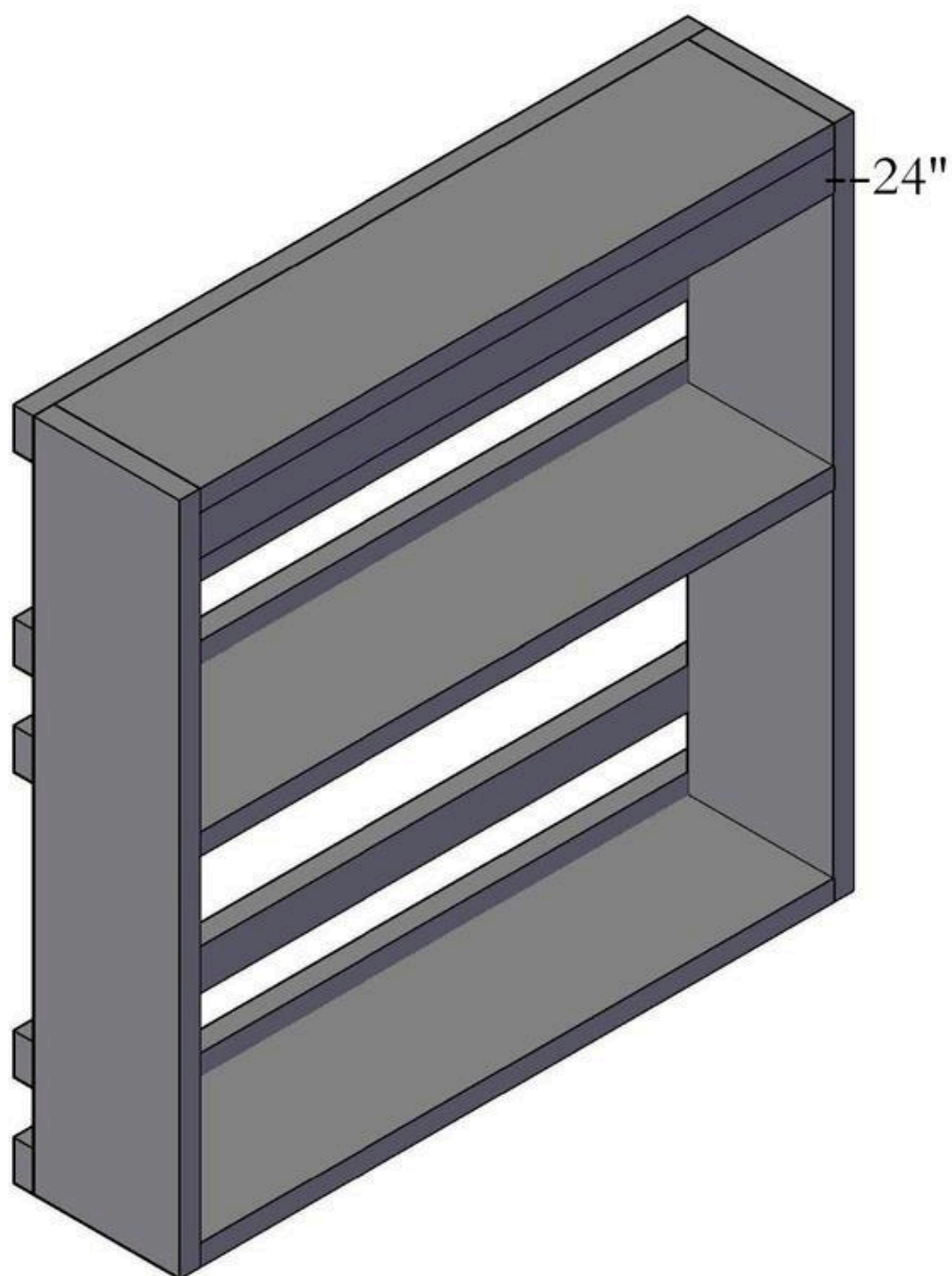


SawdustStitches

3

Back Support

Attach the remaining 24" 1x2" board using wood glue and 2 inch 16 gauge finishing nails. This is an ideal place to attach the unit to the wall, or you can attach hanging hardware to the back.



Sawdust & Stitches

4

Finish

Fill all nail holes with wood filler. Sand smooth, then apply desire stain and/or paint.