

# Modular Mug Rack

By **Sawdust 2 Stitches**

Difficulty

Easy

A great compromise of form and function. This Pottery Barn inspired hanging mug rack is part of a modular set that can be used in combination with other modular pieces (see image 2), or it can be used alone!



# Tools

## Other Tools

Miter Saw

Table Saw

Drill (cordless)

Nail Gun

Sander

# Materials

## Wood Products

**2** Board , 1x6 , 96"

**1** Board , 1x2 , 96"

**2** Dowel Rod , 1/2" Thick , 36"

## Hardware & Supplies

**9** "S" Hooks

**5** Label Holders (If Desired)

**1** 18 Gauge Finish Nails

**1** Wood Glue

# Cut List & Parts

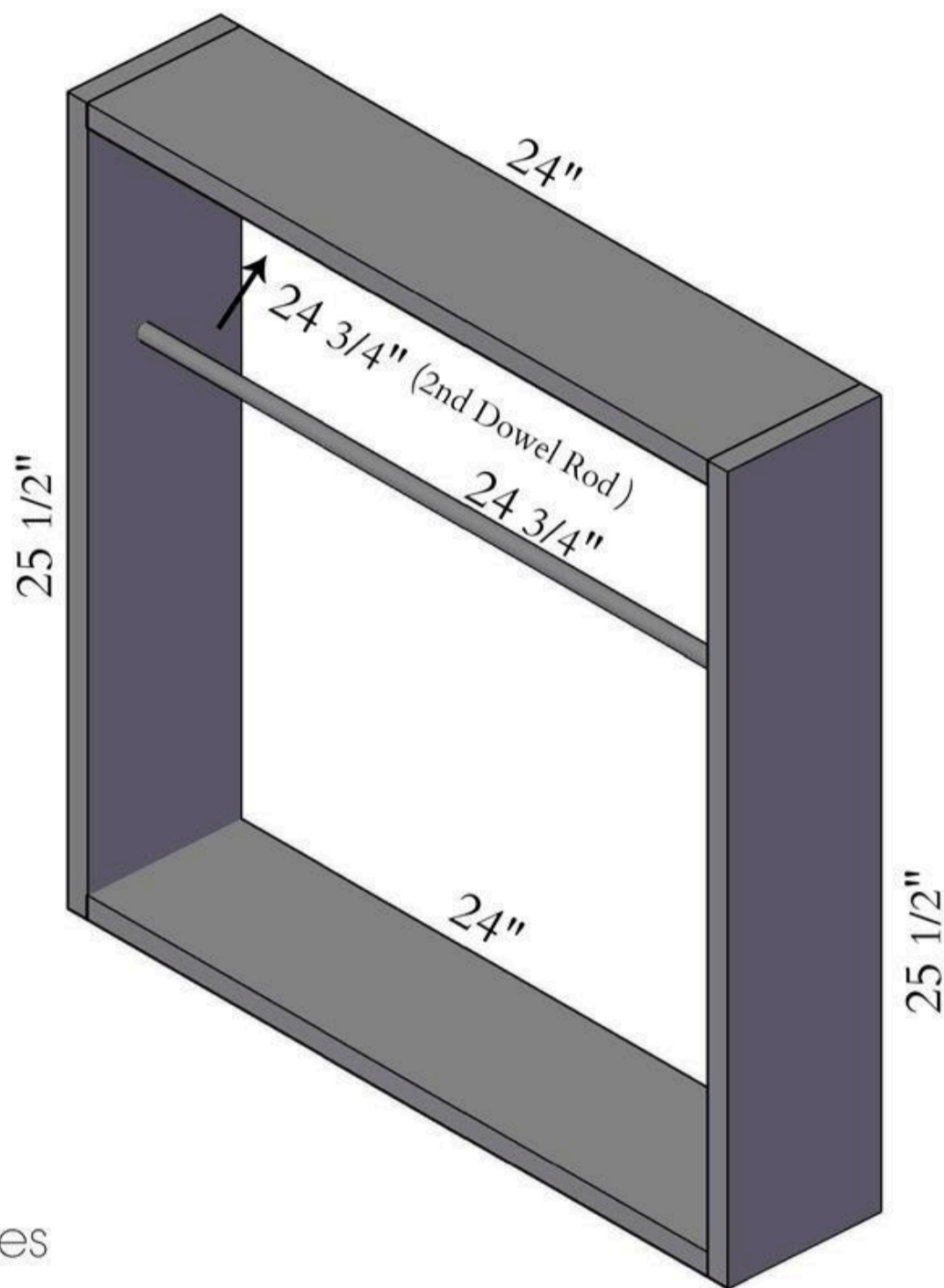
- 2 Top & Bottom Frame , 3/4" X 6"x 24"
- 2 Side Frame , 3/4" X 6" X 25 1/2"
- 2 Dowel Rod , 1/2" X 24 3/4"
- 1 Bottom Back Support , 3/4" X 4 3/4" X 24"
- 4 Dividers , 3/4" X 4 3/4" X 4 3/4"
- 1 Top Back Support , 3/4" X 1 1/2" X 24"
- 2 Front Rails , 3/4" X 1 1/2" X 25 1/2"

# Directions

1

## Frame

Apply a small amount of wood glue into the pre-drilled holes for the dowel rods. Fit both dowel rods into their corresponding 1/2" holes. Join both 25 1/2" and 24" 1x6" boards using wood glue and 2 inch, 16 gauge finishing nails. This will form a 25 1/2" square.

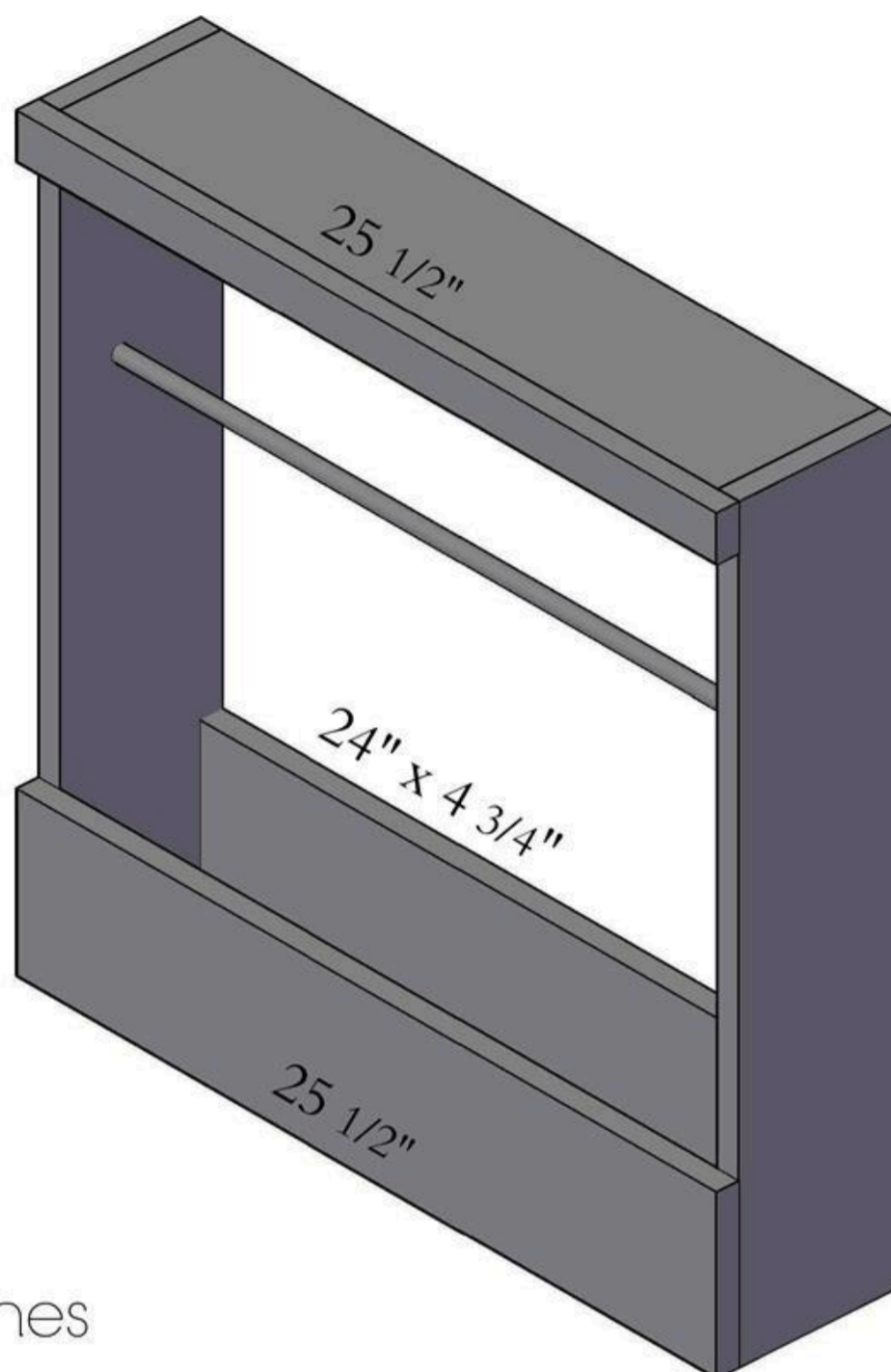


Sawdust & Stitches

**2****Front Rails**

Attach the 25 1/2" 1x2" board(s) to the face of the unit using wood glue and 2 inch 16 gauge finishing nails.

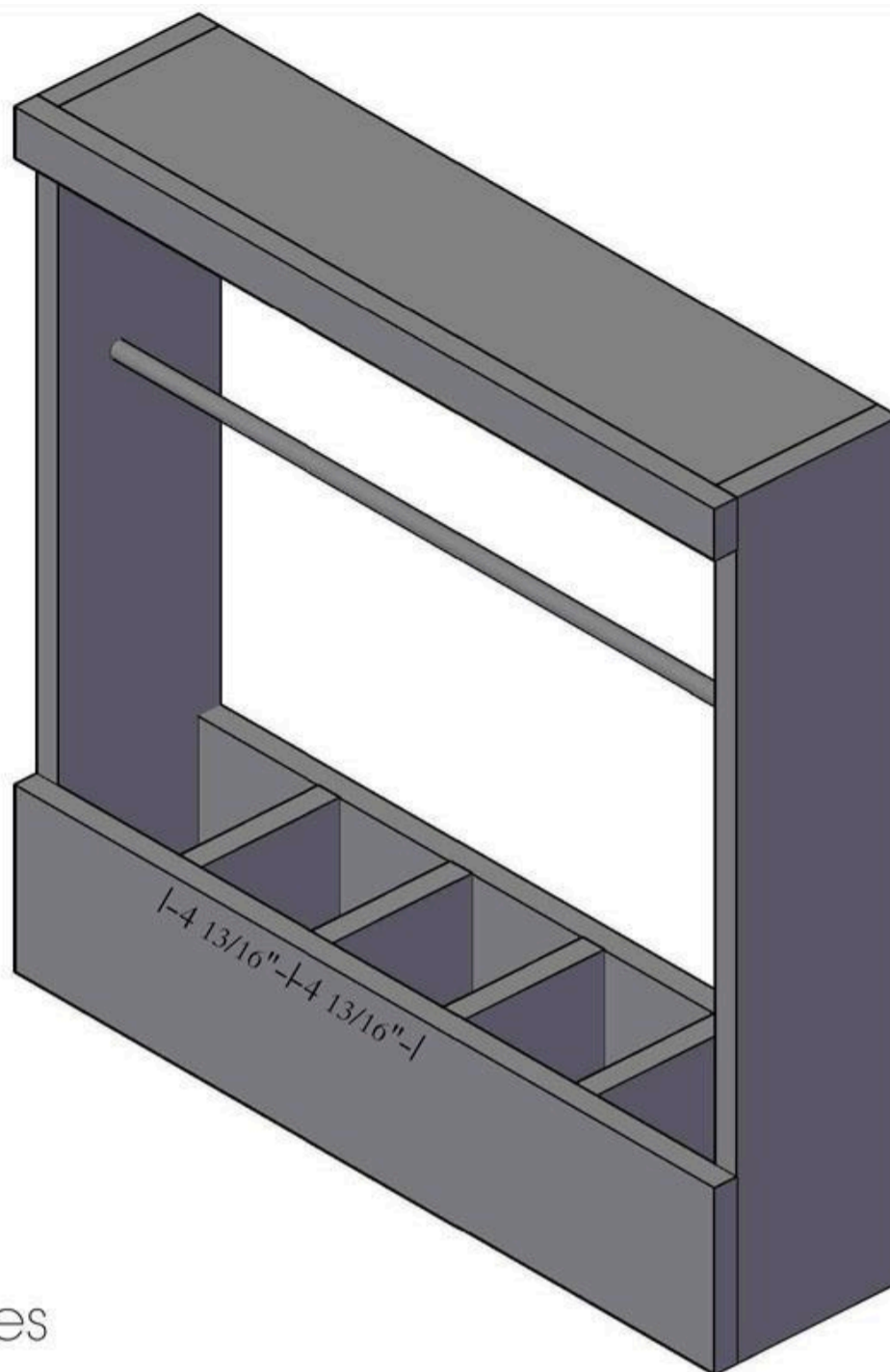
Secure your 1x6x24" that has been ripped down to 4 3/4" wide, using wood glue and 2" 16 gauge finish nails.



Sawdust<sup>2</sup>Stitches

**3****Dividers**

Place the (4) dividers (1x6" board ripped down to 4 3/4" wide, and then cut into 4 3/4" boards). Secure using wood glue, and 2" 16 gauge finish nails.

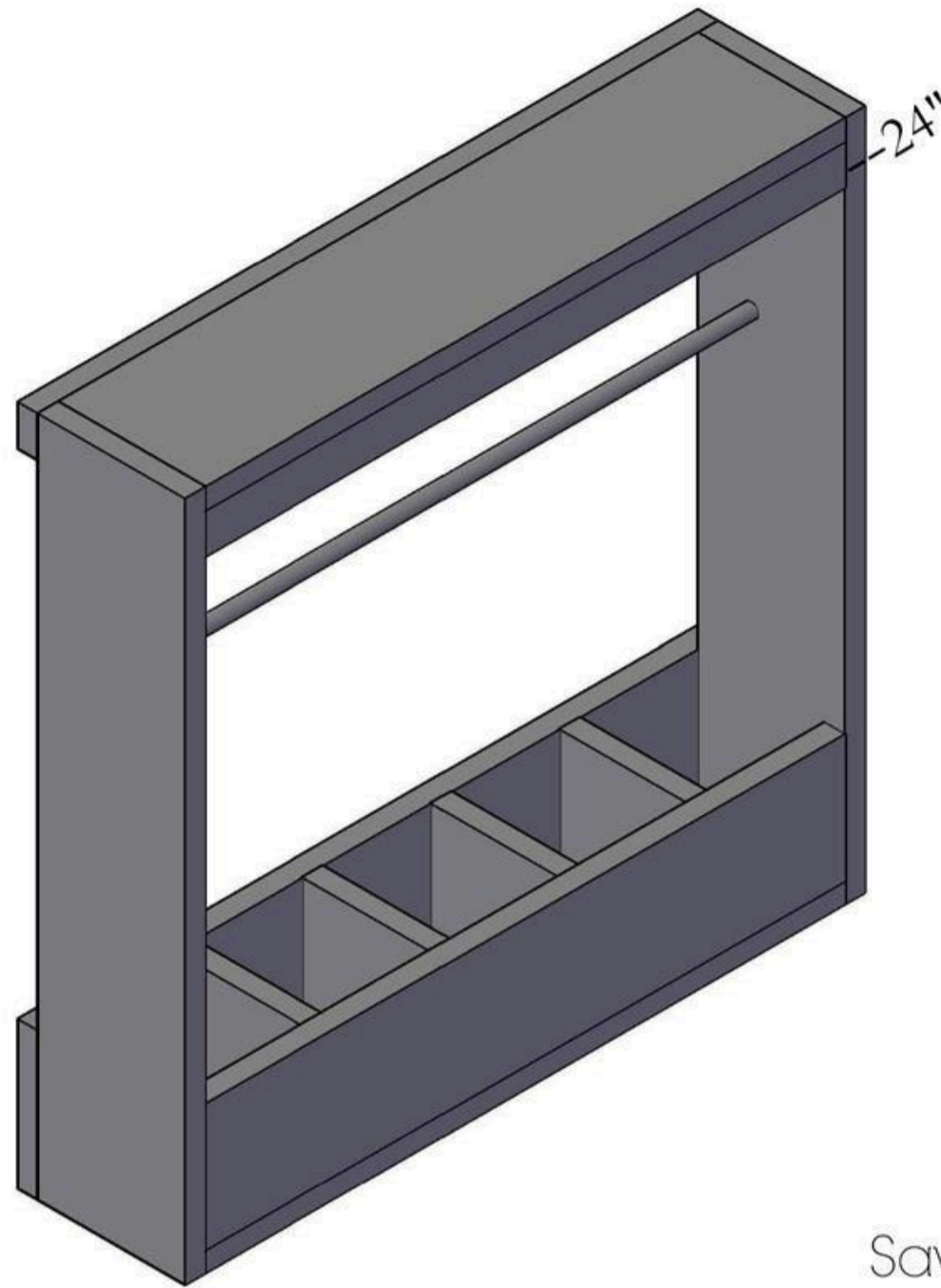


Sawdust & Stitches

4

### Back Support

Attach the remaining 24" 1x2" board using wood glue and 2 inch 16 gauge finishing nails. This is an ideal place to attach the unit to the wall, or you can attach hanging hardware to the back.



Sawdust<sup>2</sup>Stitches

5

### Finish

Fill all nail holes with wood filler. Sand smooth, then apply desire stain and/or paint.  
If desired add "label hardware" and "s" hooks to the dowel rod.

**6****Drill Dowel Holes**

Before assembling frame pre-drill holes for dowel rods in the 1"x 6"x 25 1/2" boards. Use a 1/2" bit and drill 3/8" deep. You will need to make a mirror copy on to the remaining 1"x 6"x 25 1/2" board.

