

# Modular Kitchen Storage

By **Sawdust 2 Stitches**

Difficulty

Easy

A great compromise of form and function. This Pottery Barn inspired cubby organizer is part of a modular set that can be used in combination with other modular pieces (see image 2), or it can be used alone!



# Tools

## Other Tools

Miter Saw

Tape Measure

Drill (cordless)

Nail Gun

Sander

# Materials

## Wood Products

**2** Board , 1x6 , 96"

**1** Board , 1x2 , 96"

## Hardware & Supplies

**1** 2" 16 Gauge Nails

**1** Wood Glue

**2** Mounting Brackets

**1** Desired Paint And/Or Stain

# Cut List & Parts

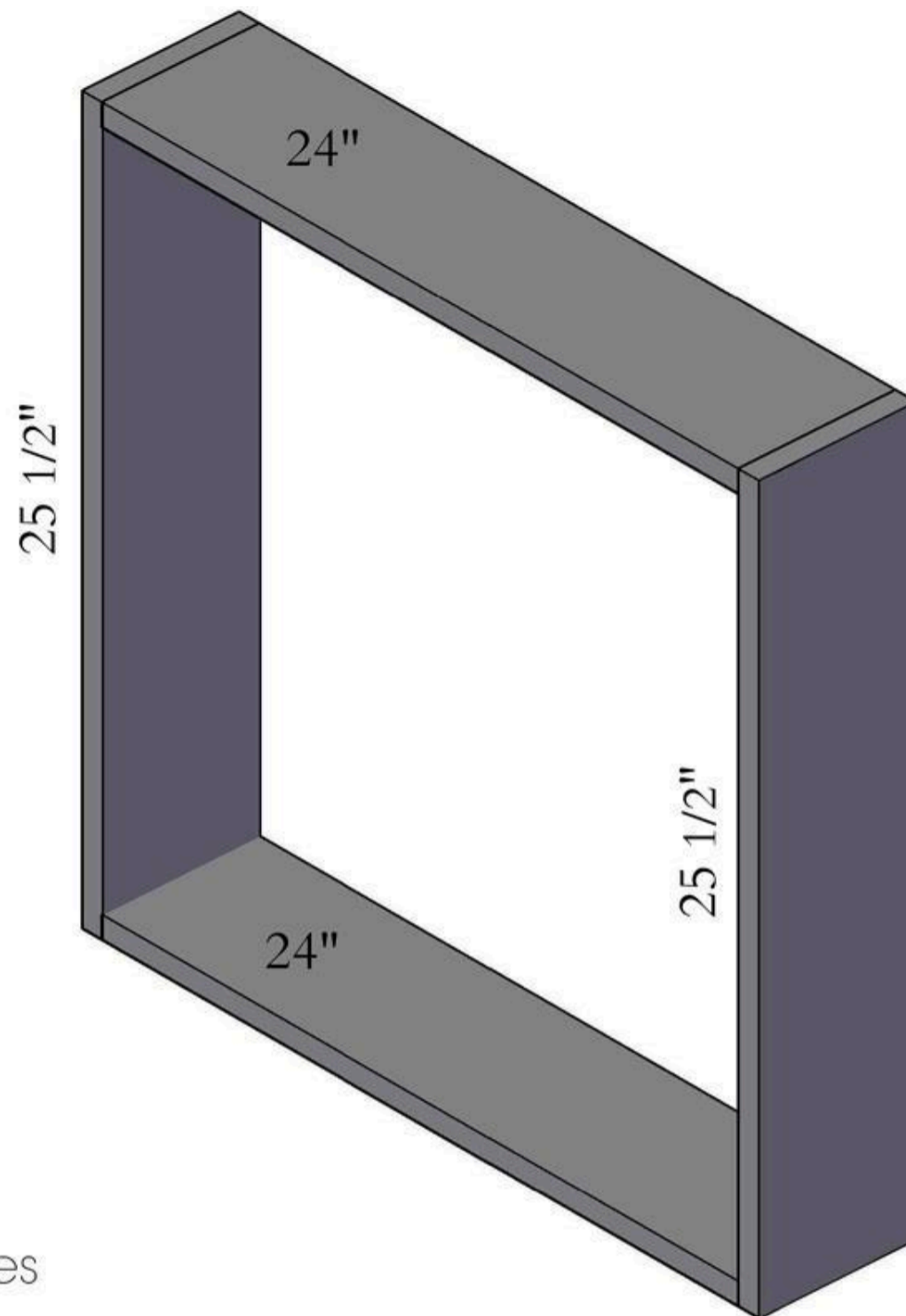
- 2** Side Frame , 3/4" X 5 1/2" X 25 1/2"
- 2** Top And Bottom Frame , 3/4"x 5 1/2 " X 24"
- 3** Shelves , 3/4" X 5 1/2" X 11 3/4"
- 1** Shelf Divider , 3/4" X 5 1/2" X 7 1/2"
- 2** Front Rails , 3/4" X 1 1/2" X 25 1/2"
- 1** Back Support , 3/4" X 1 1/2" X 24"

# Directions

1

## Assemble Frame

Join both 25 1/2" and 24" 1x6" boards using wood glue and 2 inch, 16 gauge finishing nails. This will form a 25 1/2" square.

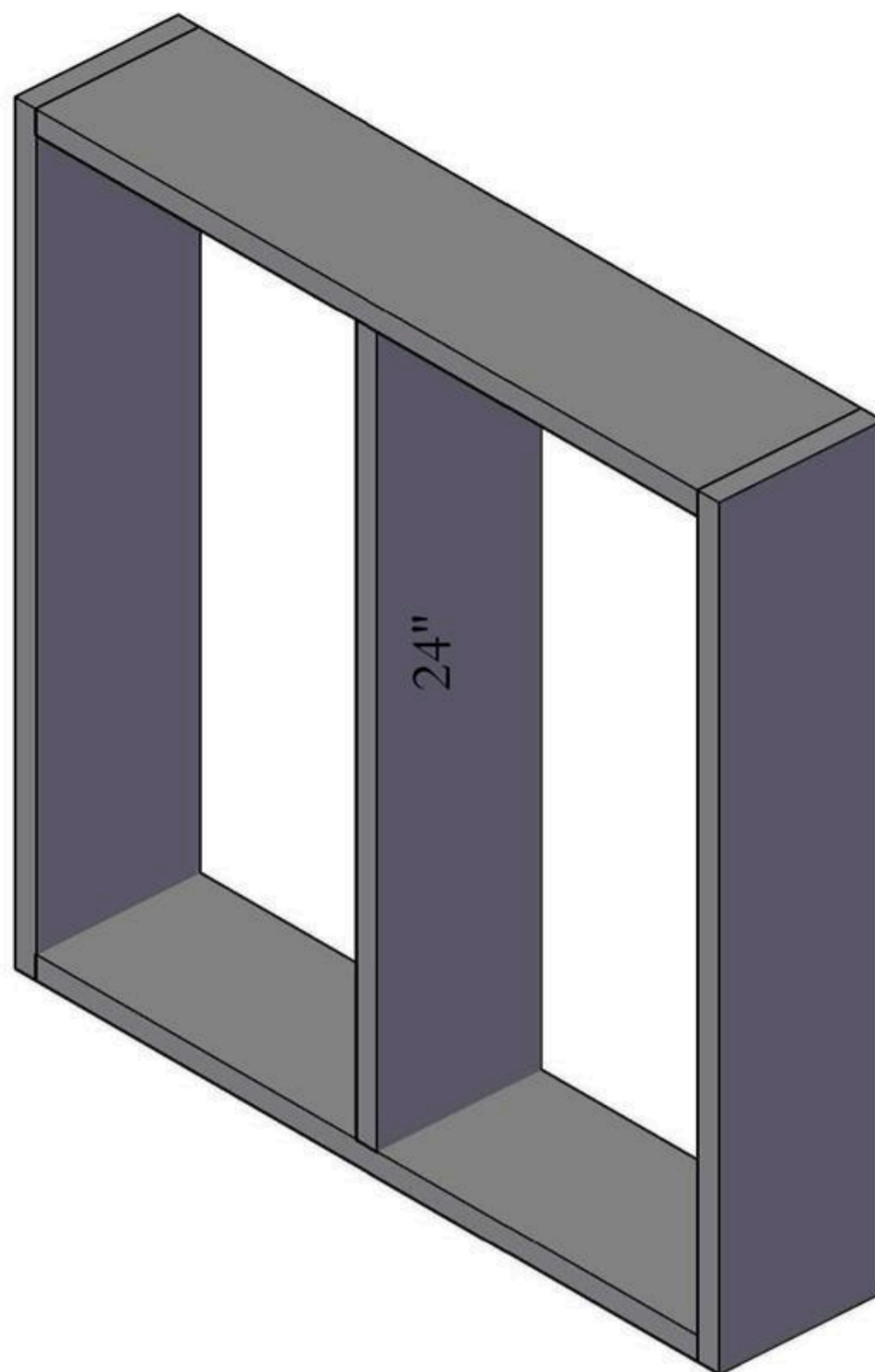


Sawdust<sup>2</sup>Stitches

2

### Vertical Divider

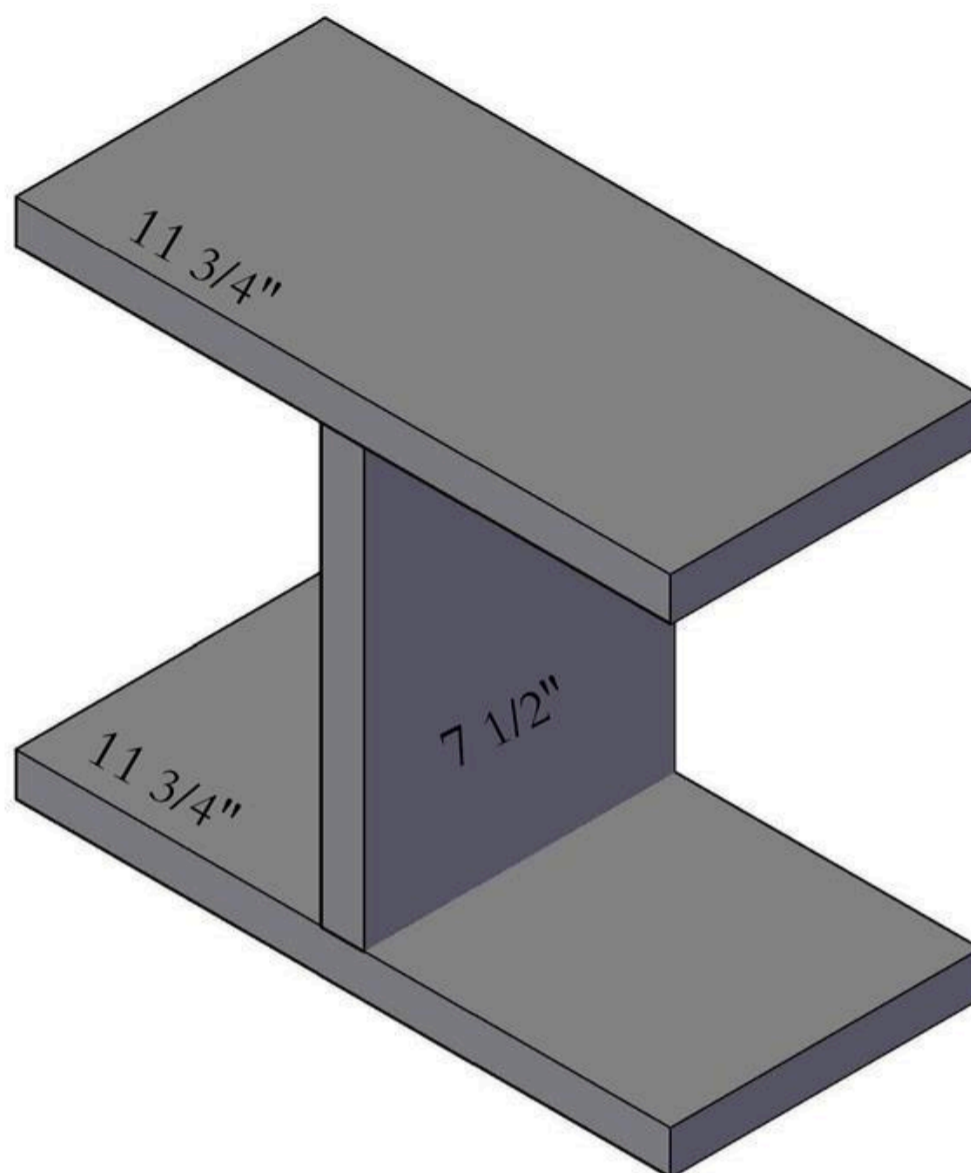
Insert remaining 1"x 6"x 24" board centered vertically. Glue and secure using 2" 18 gauge finish nails.



Sawdust<sup>2</sup>Stitches

**3****Shelf Insert**

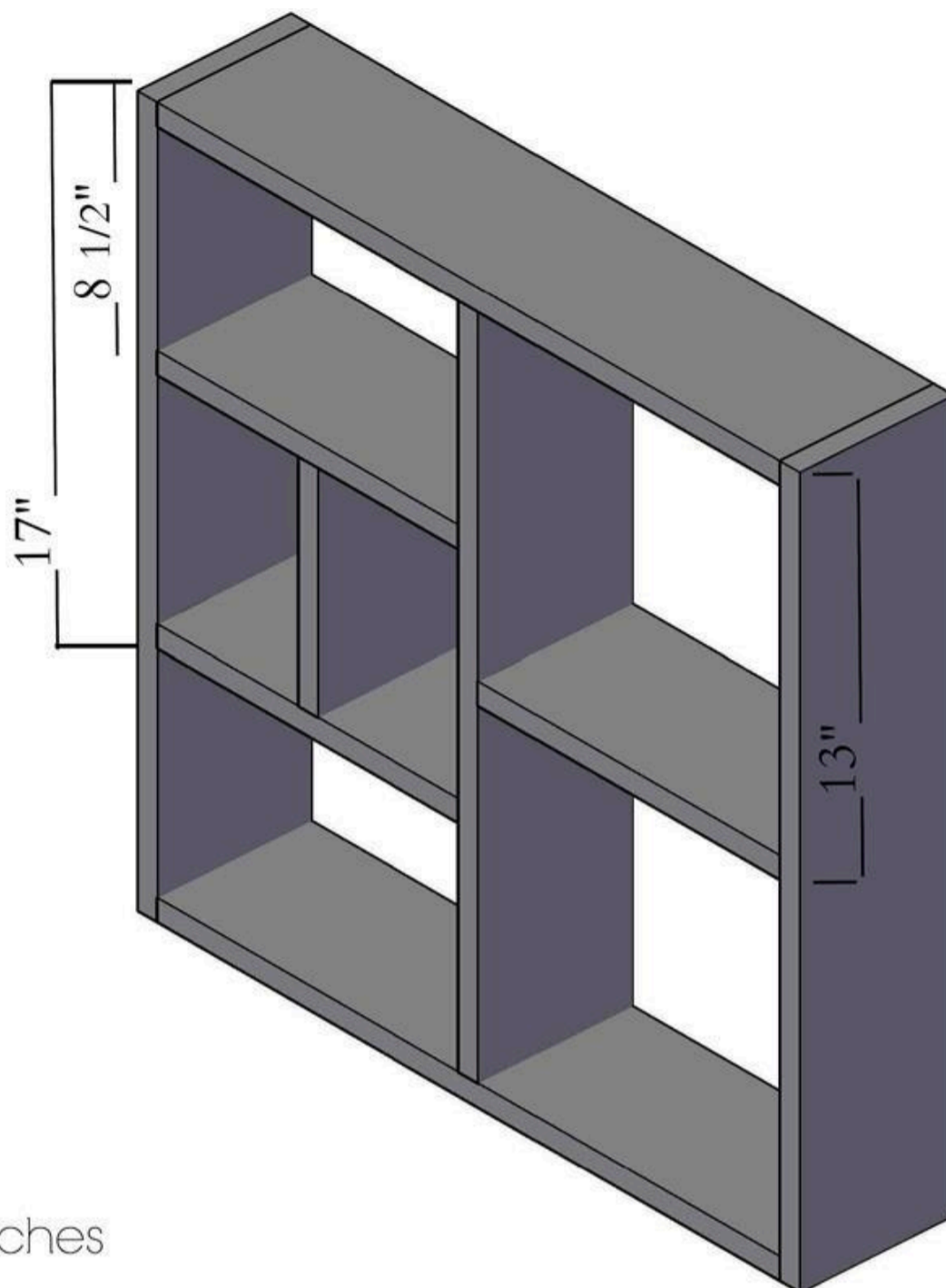
Using (2) of the 1"x 6"x 11 3/4" boards and the 1"x 6"x 7 1/2" board, and form a "I". Make sure that the 7 1/2" board is centered on both 11 3/4" boards. Use wood glue and reinforce with 2" 16 gauge finish nails.



**4****Shelves**

Insert the pre-assembled "I" shelf so that the base of the bottom board is 17" from the top of the unit.

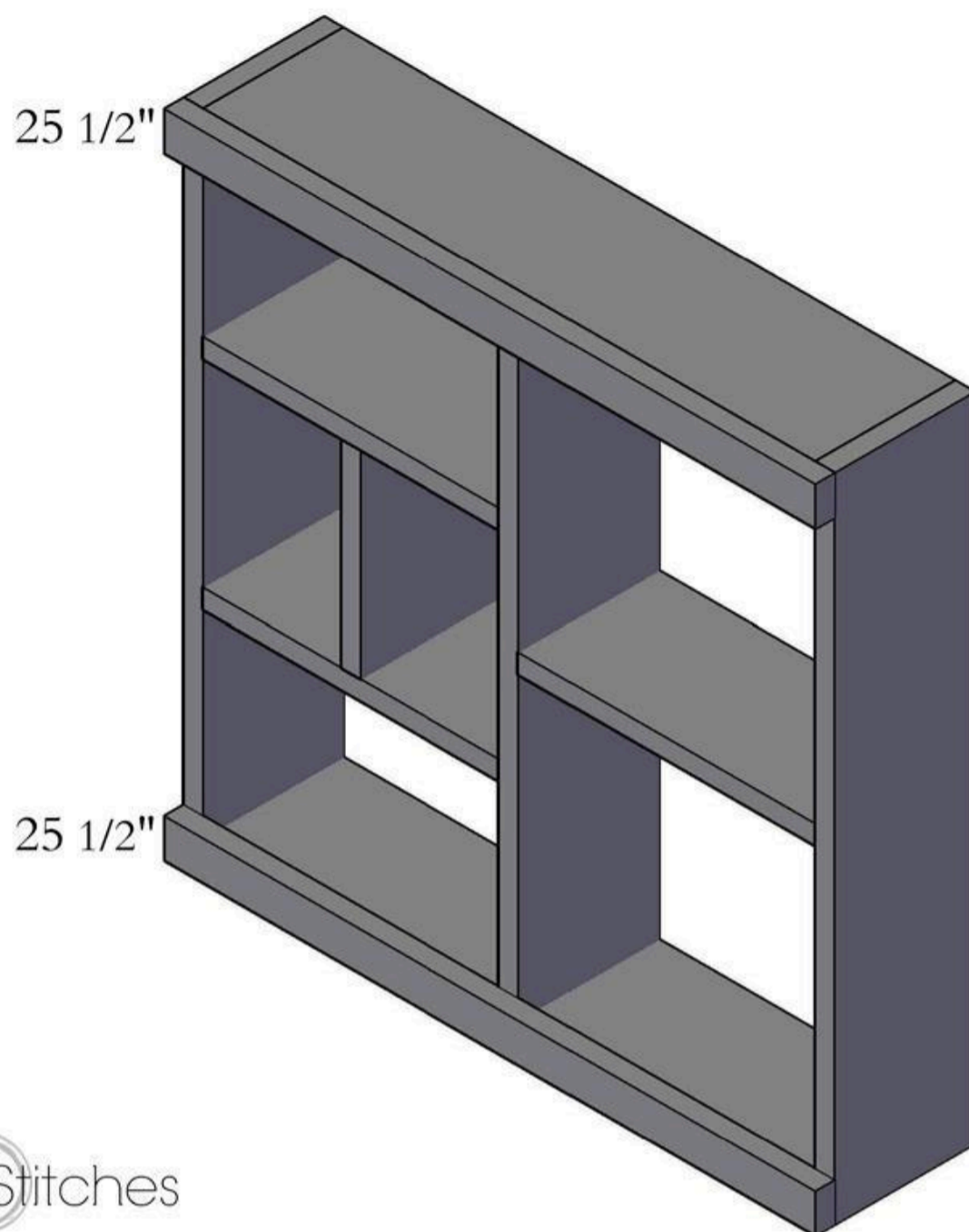
On the right hand side, insert the remaining 1"x 6"x 11 3/4" board. Position it so that the bottom of the board is 13" from the top of the unit.



5

### Front Rails

Attach the 25 1/2" 1x2" board(s) to the face of the unit using wood glue and 2 inch 16 gauge finishing nails.



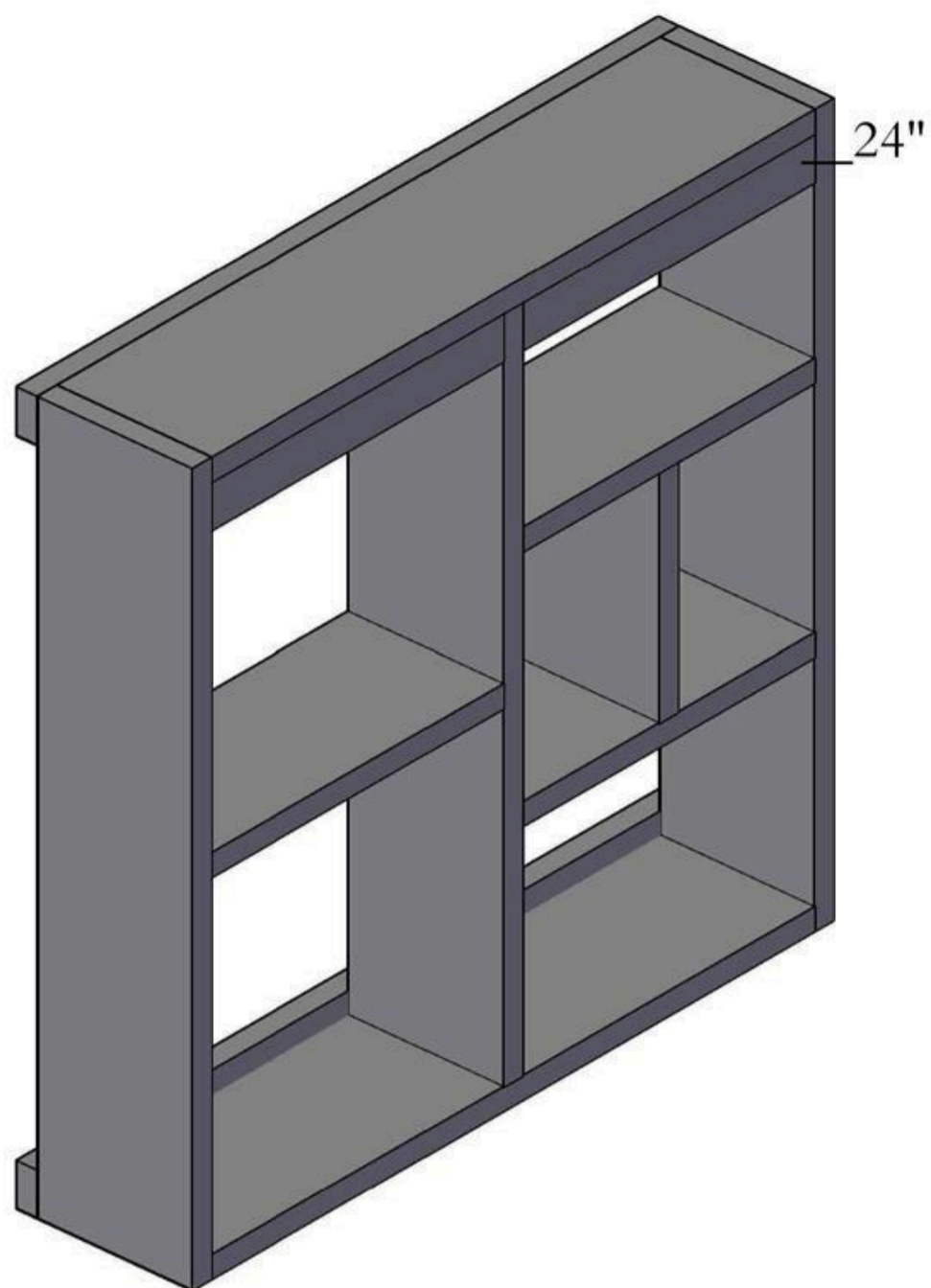
Sawdust<sup>2</sup>Stitches



6

### Back Support

Attach the remaining 24" 1x2" board using wood glue and 2 inch 16 gauge finishing nails. This is an ideal place to attach the unit to the wall, or you can attach hanging hardware to the back.



Sawdust Stitches

7

### Finish

Fill all nail holes with wood filler. Sand smooth, then apply desire stain and/or paint.