

# Modern 8 Drawer Dresser

Difficulty  
Advanced

A simple dresser with modern design. The asymmetrical design allows for 4 large drawers and 4 medium sized drawers. Very efficient use of space! The drawer faces can be modified to your own taste.





## Tools

### Kreg Tools



[Accu-Cut™](#)



[Wood Project Clamp - 6"](#)



[Kreg® Pocket-Hole Jig 720](#)



[Cabinet Hardware Jig](#)



[Drawer Slide Jig](#)

### Other Tools

Circular Saw (cordless)

Square

Tape Measure

Drill (cordless)

Sander

## Materials

### Wood Products

2 Plywood , 3/4" Thick , Full Sheet

1 Plywood , 1/4" Thick , Half Sheet

1 OSB , 3/4" Thick , Full Sheet

### Hardware & Supplies

6 5-1/2" Tapered Furniture Legs

8 18" Drawer Slides

6 Furniture Leg Top Plates

4 12" Drawer Pulls

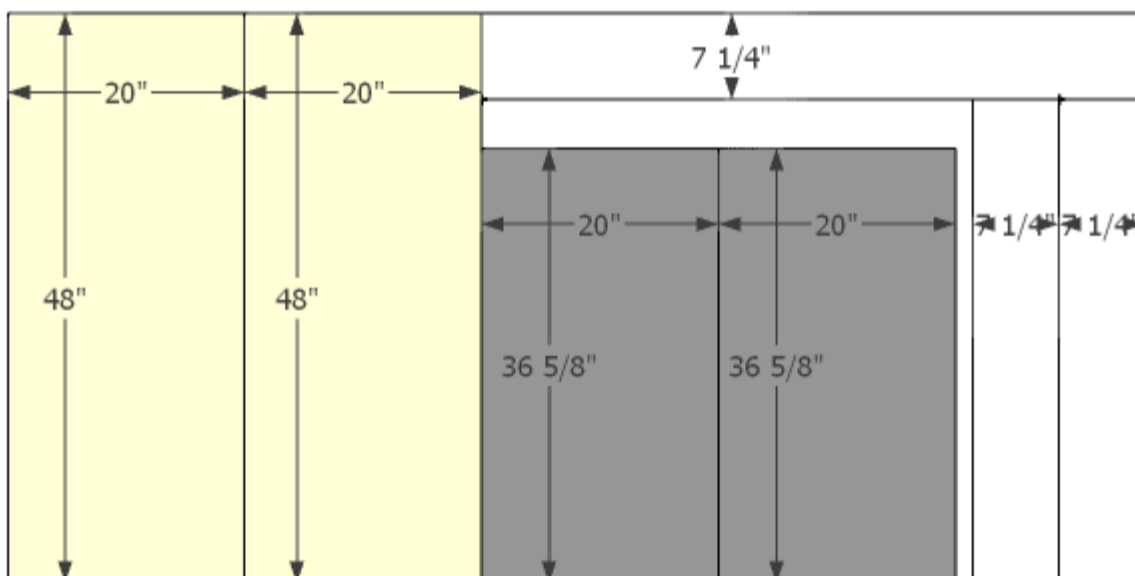
4 4" Drawer Pulls

1 Roll Of Iron-on Edge Banding

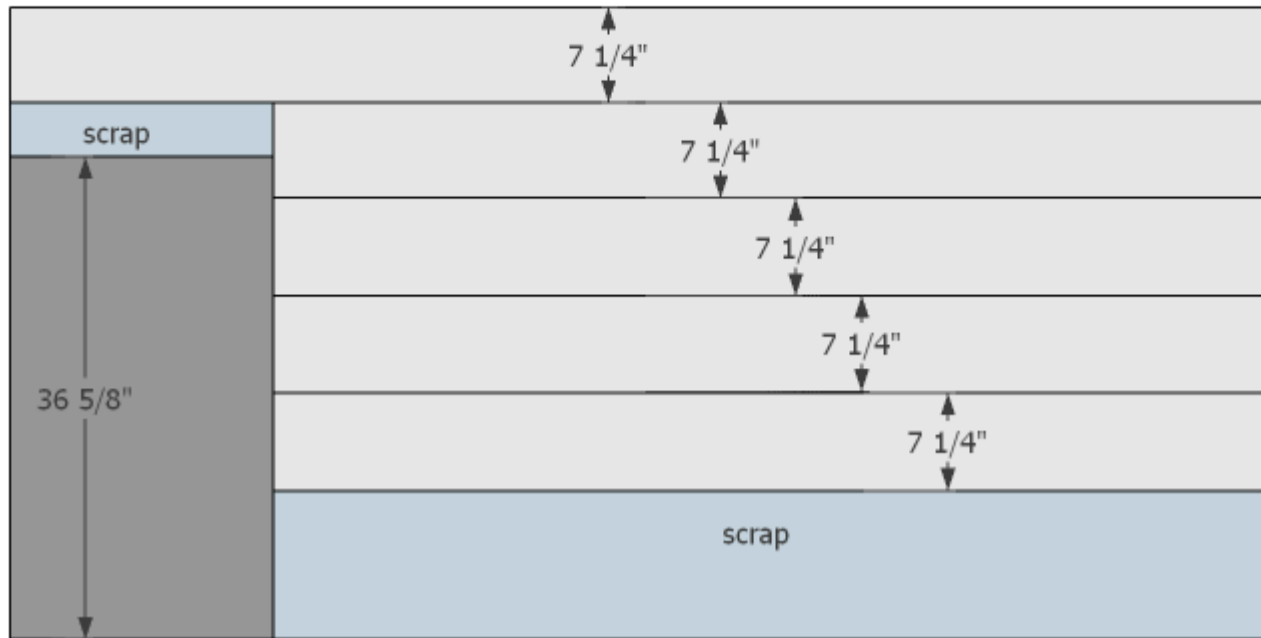
# Cut List & Parts

- 1 Top Panel , 48" X 20" X 3/4"
- 1 Bottom Panel , 48" X 20" X 3/4"
- 2 Side Panel , 20" X 36-5/8" X 3/4"
- 1 Center Panel , 20" X 36-5/8" X 3/4"
- 1 Backer Panel , 48" X 38-1/8" X 1/4"
- 1 Long Center Stretcher , 1 X 4 @ 32"
- 1 Short Center Stretcher , 1 X 4 @ 13-3/4"
- 16 Drawer Box Sides , 7-1/4" X 18" X 3/4"
- 4 Drawer Box Back , APPROX 7-1/4" X 29-1/4" X 3/4"
- 4 Drawer Box Back , APPROX 7-1/4" X 11" X 3/4"
- 4 Drawer Box Front , APPROX 7-1/4" X 29-1/4" X 3/4"
- 4 Drawer Box Front , APPROX 7-1/4" X 11" X 3/4"
- 4 Drawer Bottom , APPROX 30-3/4" X 18" X 1/4"
- 4 Drawer Bottom , APPROX 12-1/2" X 18" X 1/4"
- 4 Long OSB Drawer Face , APPROX 31-3/4" X 9" X 3/4"
- 4 Short OSB Drawer Face , APPROX 13-1/2" X 9" X 3/4"

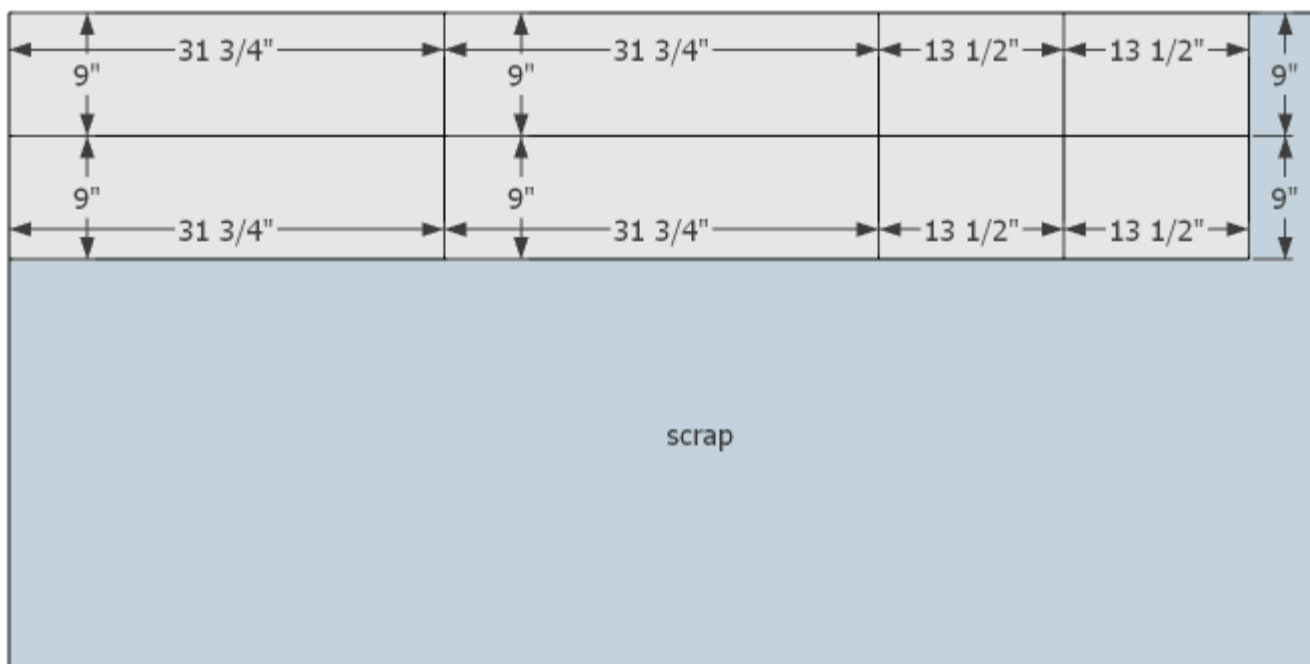
3/4" plywood (A)



3/4" plywood (B)



3/4" OSB



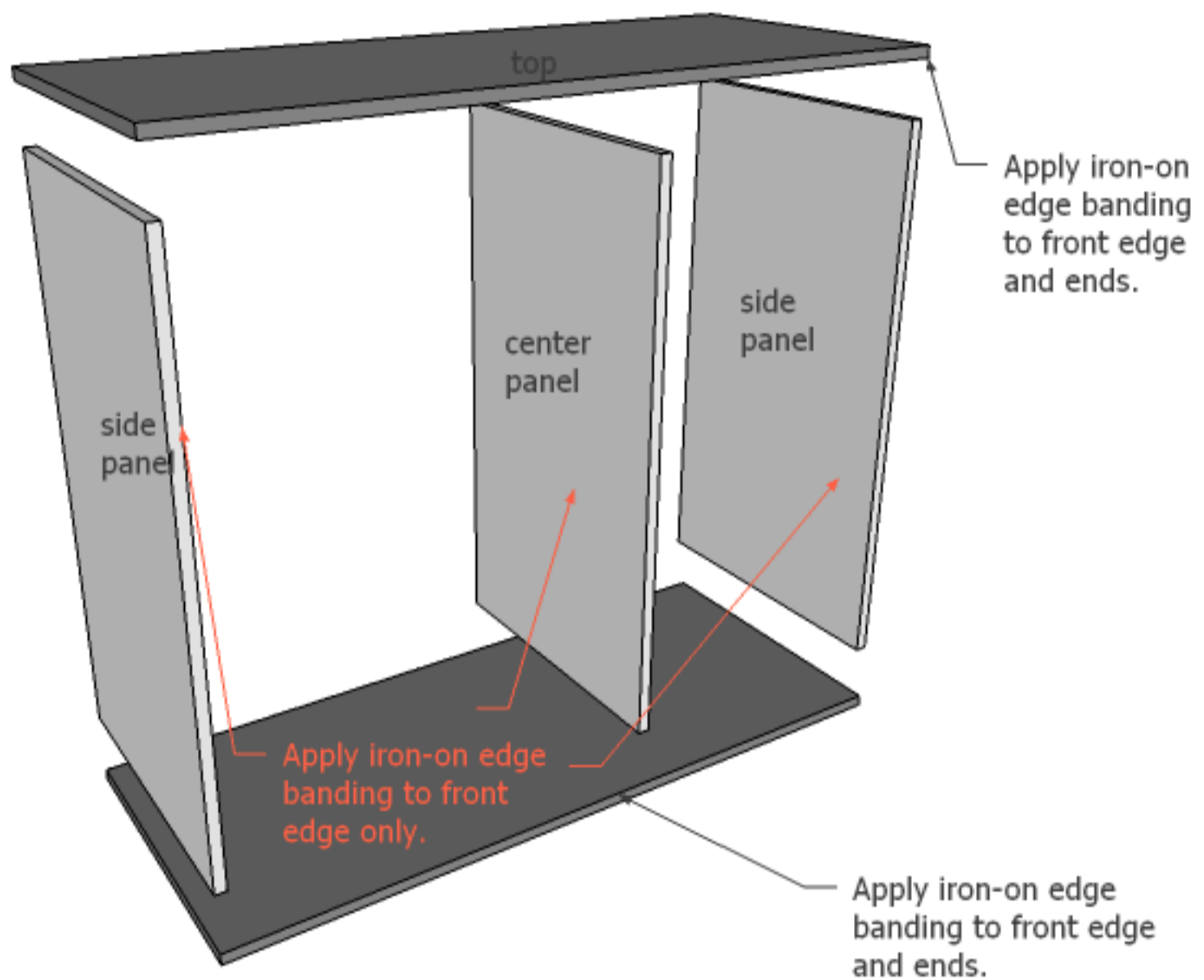
# Directions

1

## Cut Plywood and Add Edge Banding

Use the Kreg® Accu-Cut™ Circular Saw Guide Track System and a circular saw to cut plywood panels to size. Cut large plywood panels, then rip the remaining plywood into 7-1/2" wide boards to use in lieu of 1 x 8 boards for the drawer boxes.

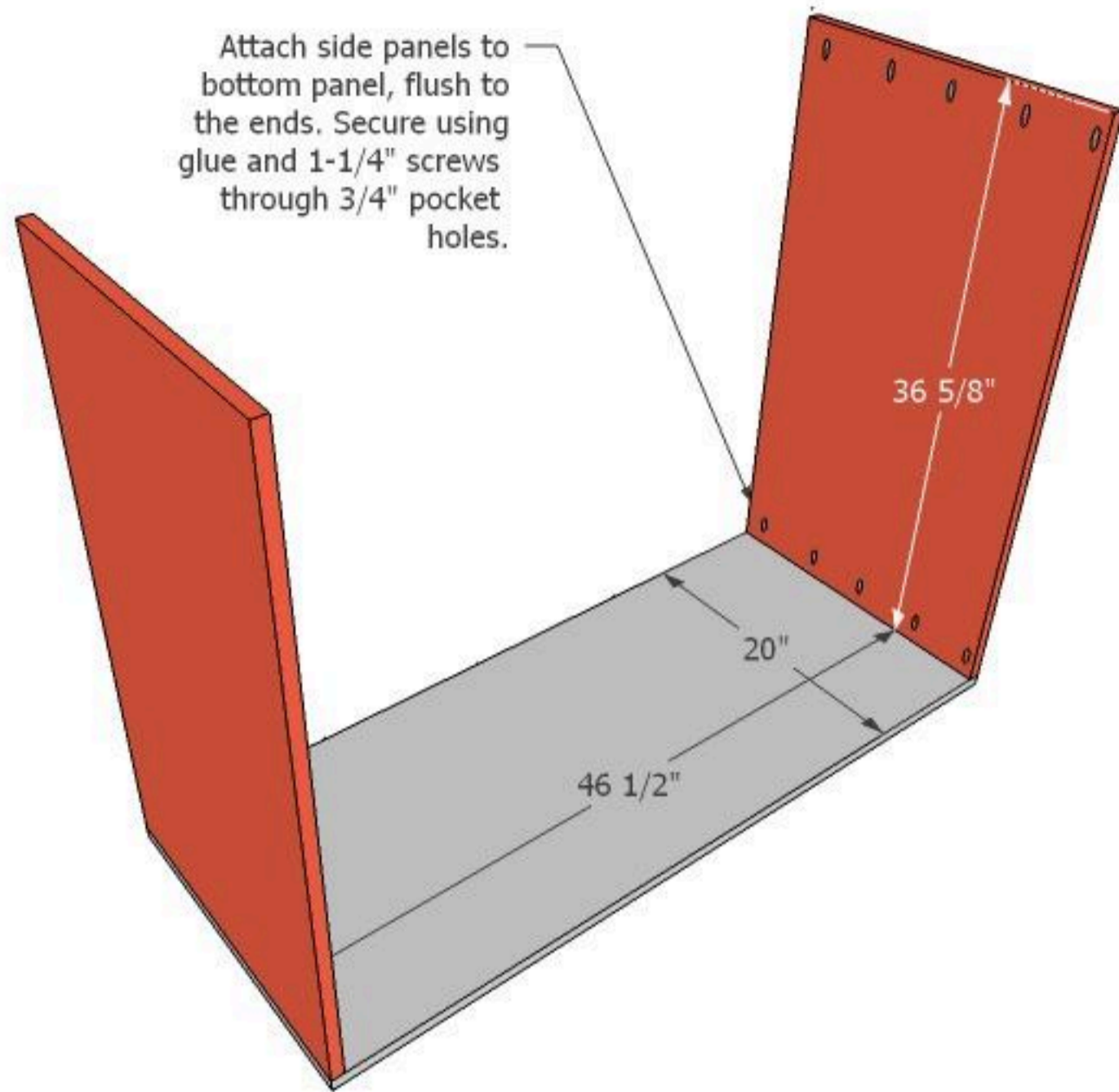
Apply iron-on edge banding to top, bottom, sides and center panels, following the diagram.



## 2

### Attach Cabinet Side Panels

Attach side panels perpendicular to the bottom panel, flush to the ends. Secure using glue and 1-1/4" screws through 3/4" pocket holes.

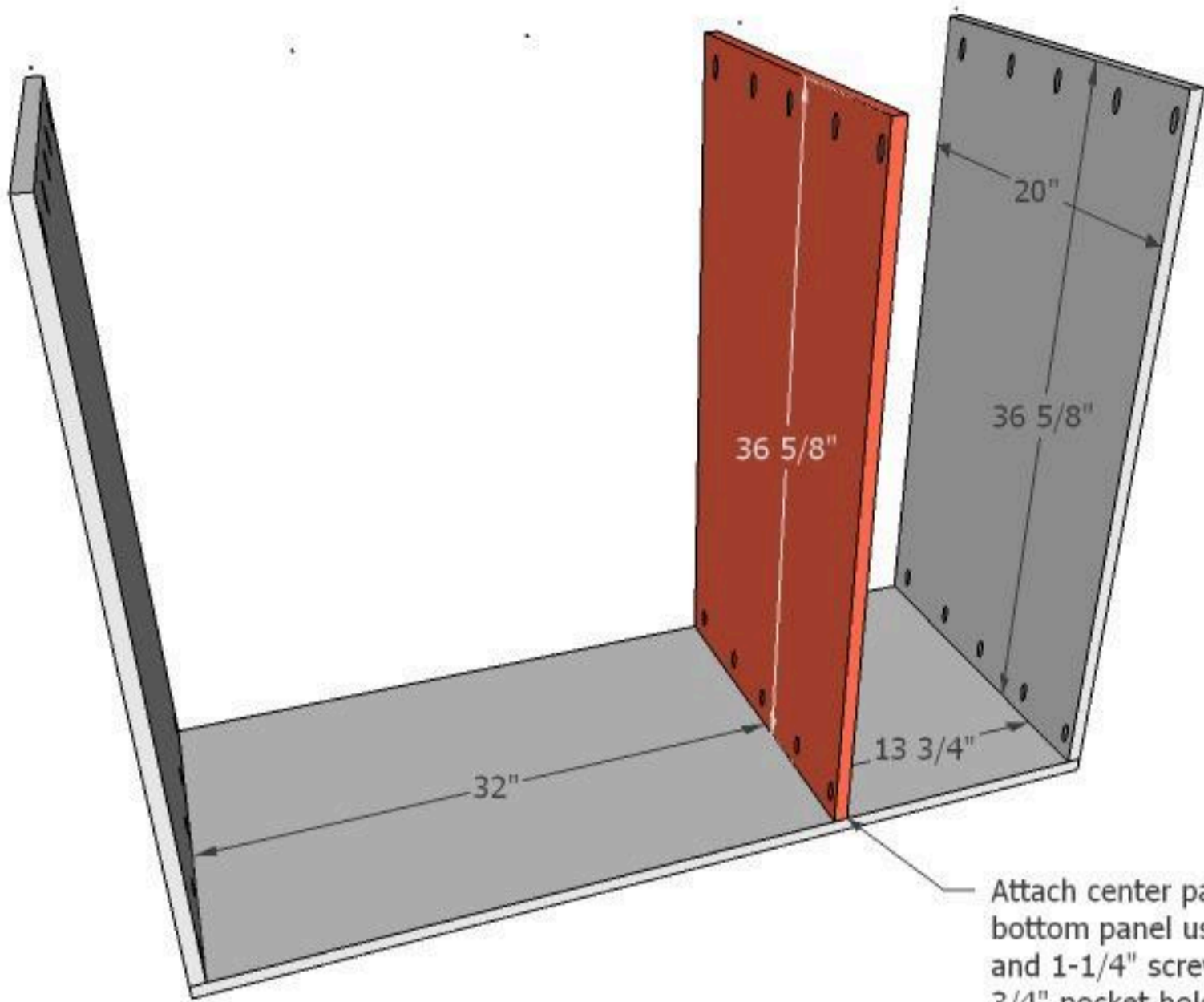


Pneumatic  
Addict

### 3

#### Attach Cabinet Center Panel

Attach the center panel perpendicular to the bottom panel. Allow a 32" distance between left side panel and center panel. Secure in place using glue, and 1-1/4" screws through 3/4" pocket holes.



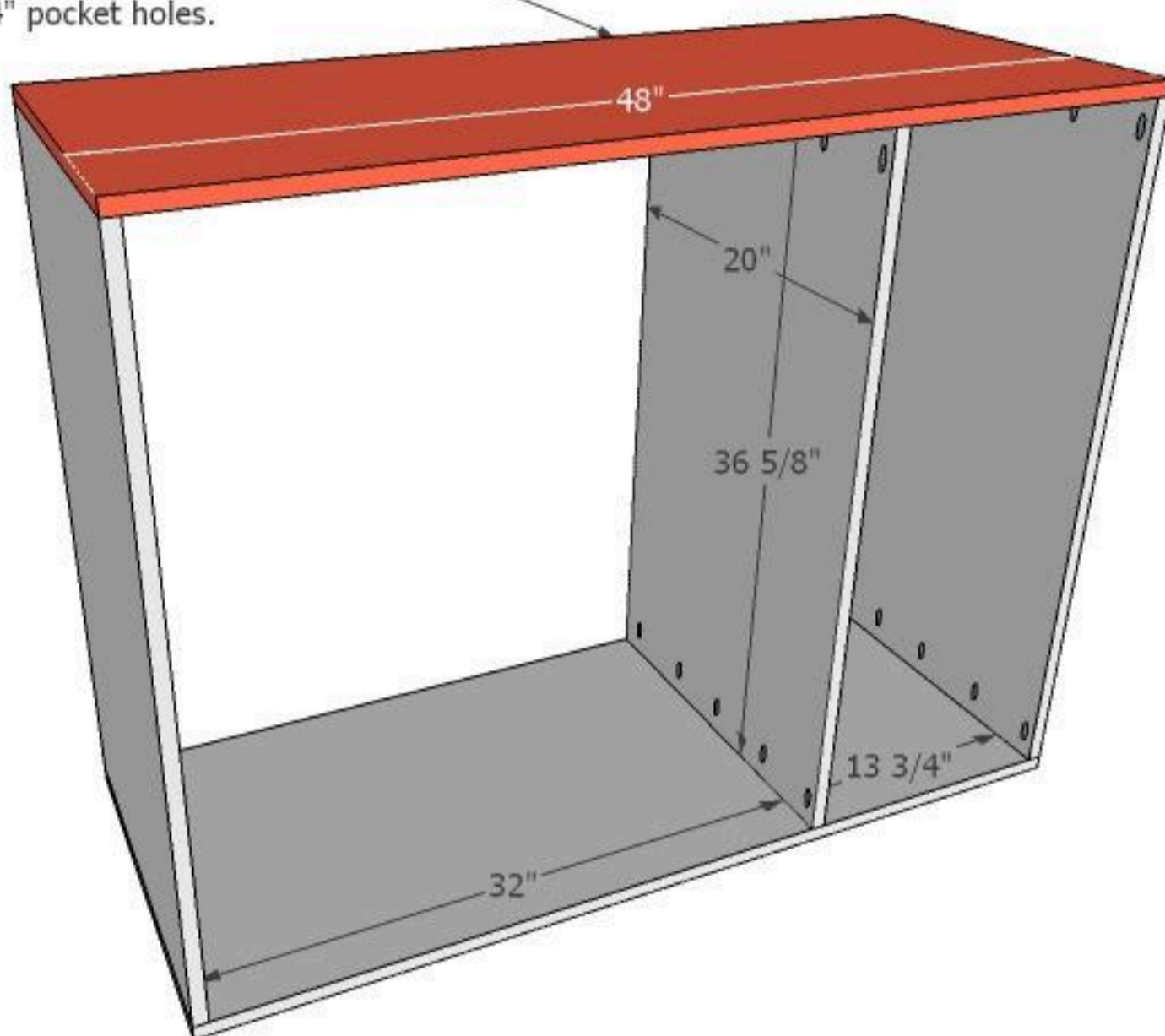
Pneumatic  
Addict



**4****Attach Cabinet Top**

Align the cabinet top on the sides and center panels. Attach using glue and 1-1/4" screws through 3/4" pocket holes.

Align the cabinet top on the sides and center panels. Attach using glue and 1-1/4" screws through 3/4" pocket holes.

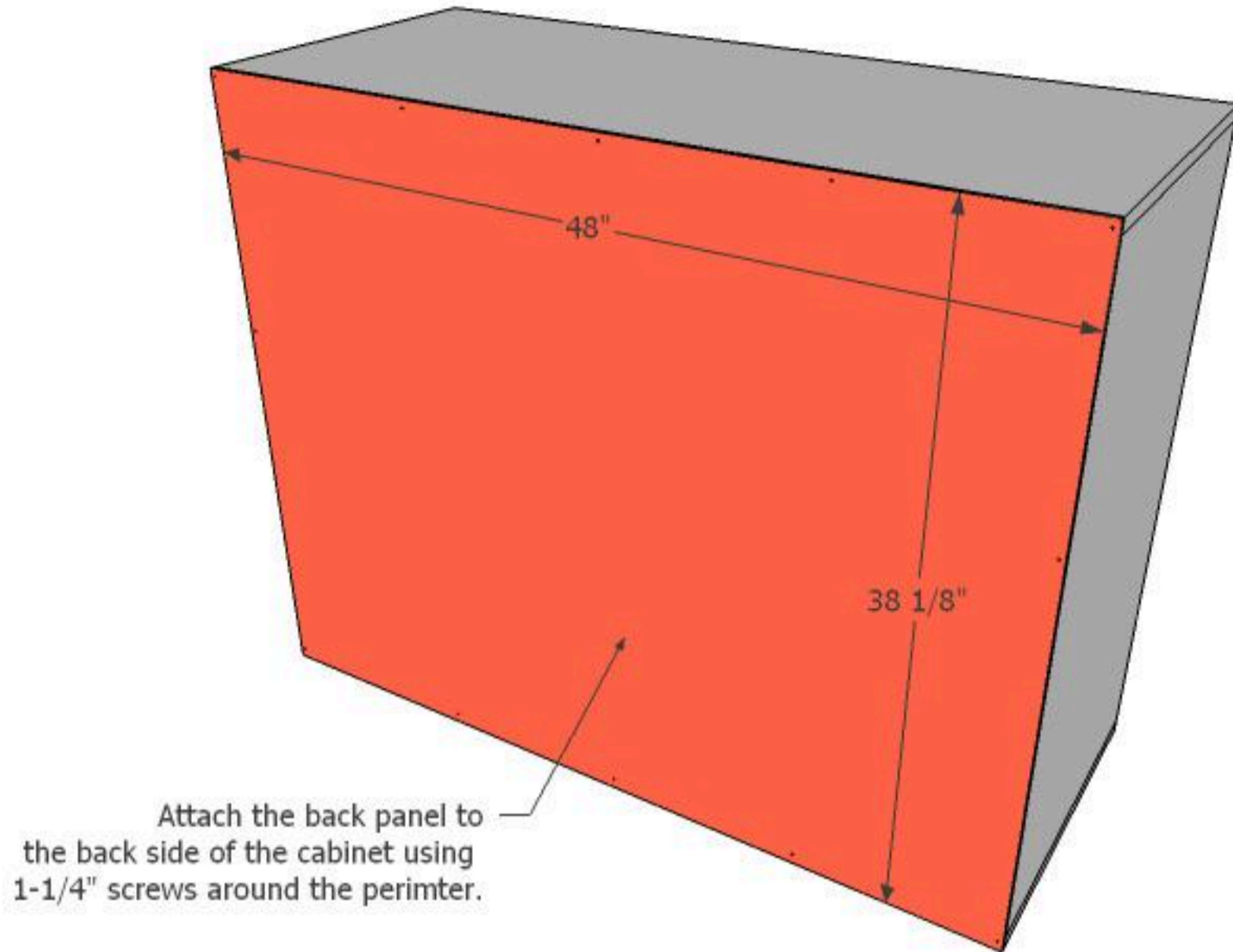


Pneumatic  
Addict

5

**Attach Backer Panel**

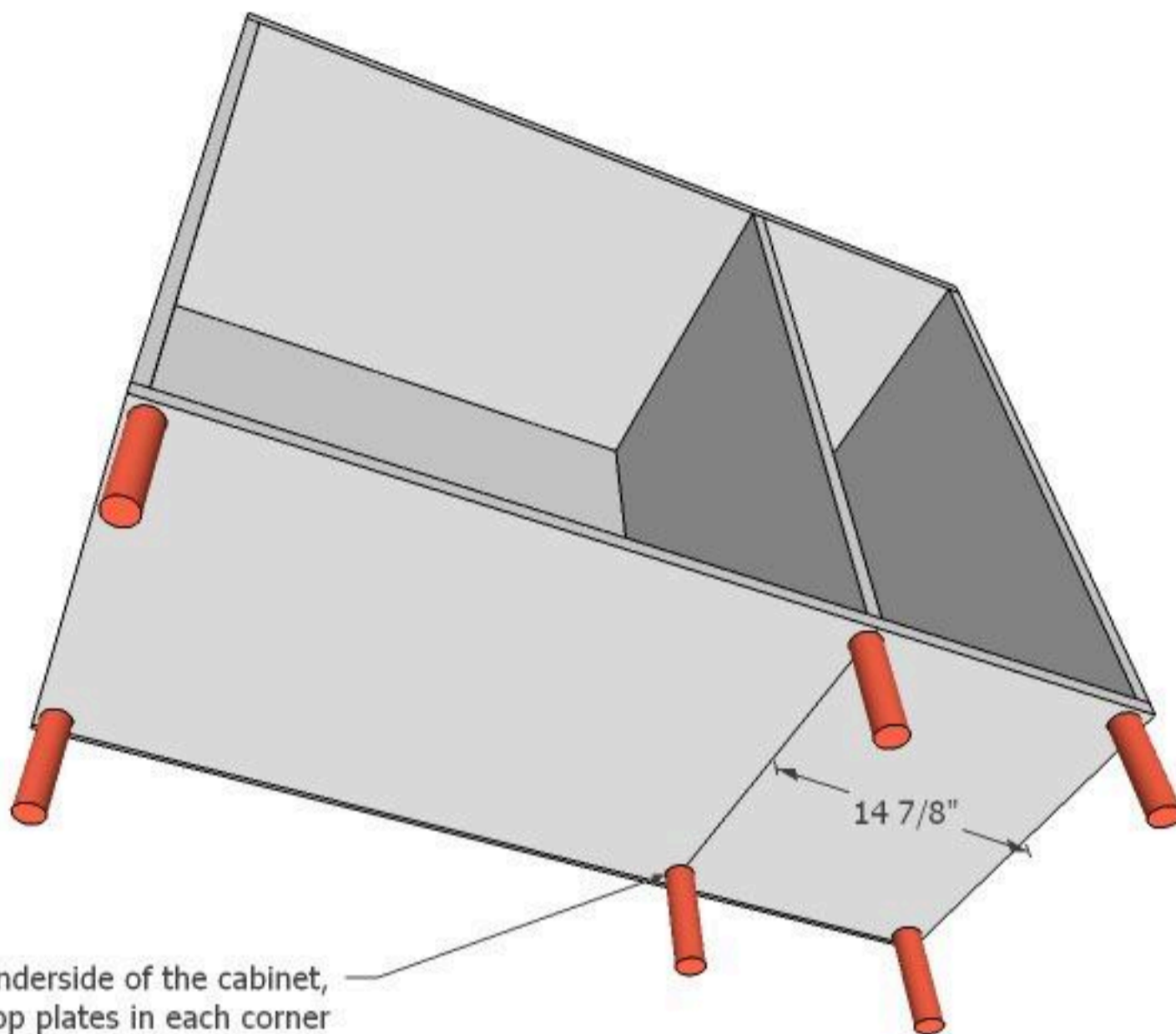
Measure the cabinet box from opposite corners to ensure the box is square. Attach the backer panel to the back side of the cabinet using 1-1/4" screws around the perimeter.



Pneumatic Addict

**6****Add Furniture Legs**

On the underside of the cabinet, screw furniture leg top plates in each corner and centered under the center panel. Attach 5-1/2" tapered furniture legs.

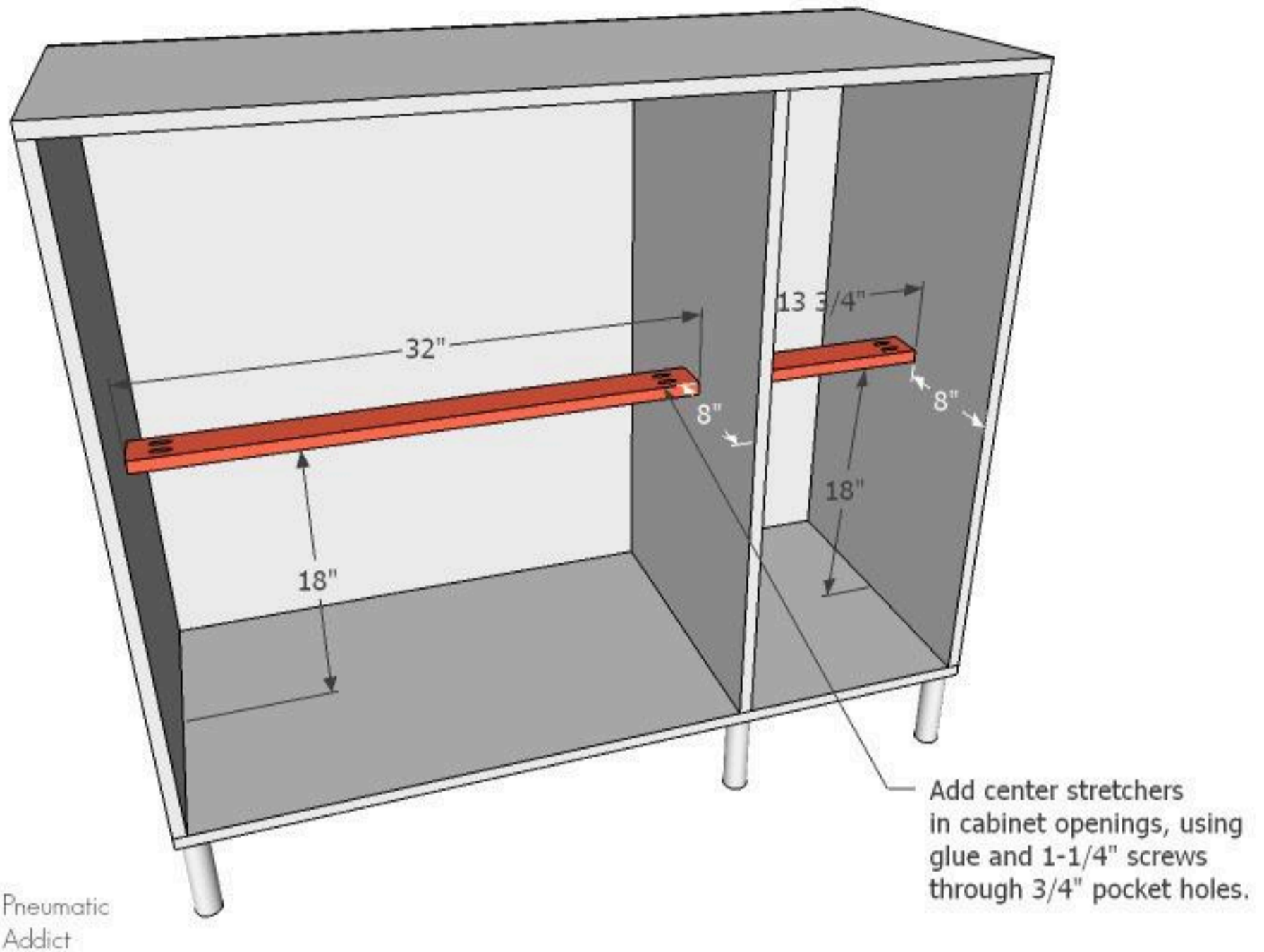


On the underside of the cabinet, screw top plates in each corner and under the center panel. Attach 5-1/2" tapered furniture legs.

Pneumatic Addict

**7****Add Center Stretchers**

Cut a 32" length and a 13-3/4" length of 1 x 4 board to create center stretchers. They will help keep the cabinet openings square and make adding drawer boxes easier. Find the center of each opening and align the stretchers. Attach center stretchers in cabinet openings, using glue and 1-1/4" screws through 3/4" pocket holes.



Pneumatic  
Addict

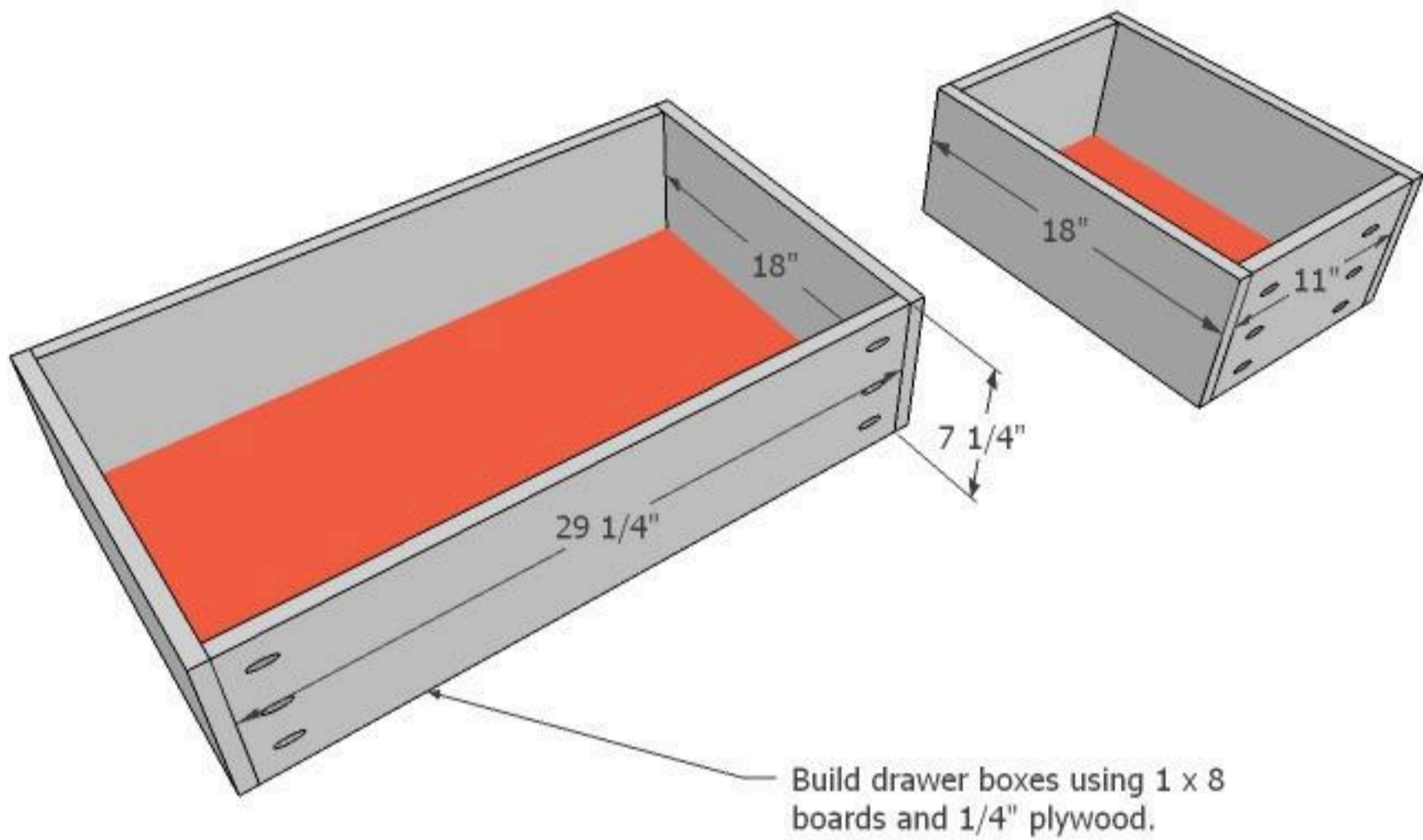
# 8

## Build Drawer Boxes

I built my drawers using a 1/4" groove cut into the sides, back and front pieces. You can use whatever technique works best for you.

Measure the exact width of each cabinet opening. Include the thickness of your drawer slides and calculate the width for each drawer box. You will need four drawers, approximately 29-1/4" x 18" and four drawers, approximately 11" x 18".

\* APPROXIMATE DIMENSIONS



Pneumatic Addict

9

**Attach Drawer Slides**

Space drawer boxes evenly in the opening. There will be two drawers above and below each stretcher. Use a Kreg Drawer Slide Jig® to attach 18" drawer slides and insert drawer boxes.



Pneumatic Addict

**10****Attach Drawer Faces**

Measure the exact height and width of the cabinet openings. Subtract  $\frac{1}{4}$ " and use that measurement to determine the drawer face dimensions. You will need four drawer faces approximately  $31\frac{3}{4}$ " x 9", and four drawer faces approximately  $13\frac{1}{2}$ " x 9".

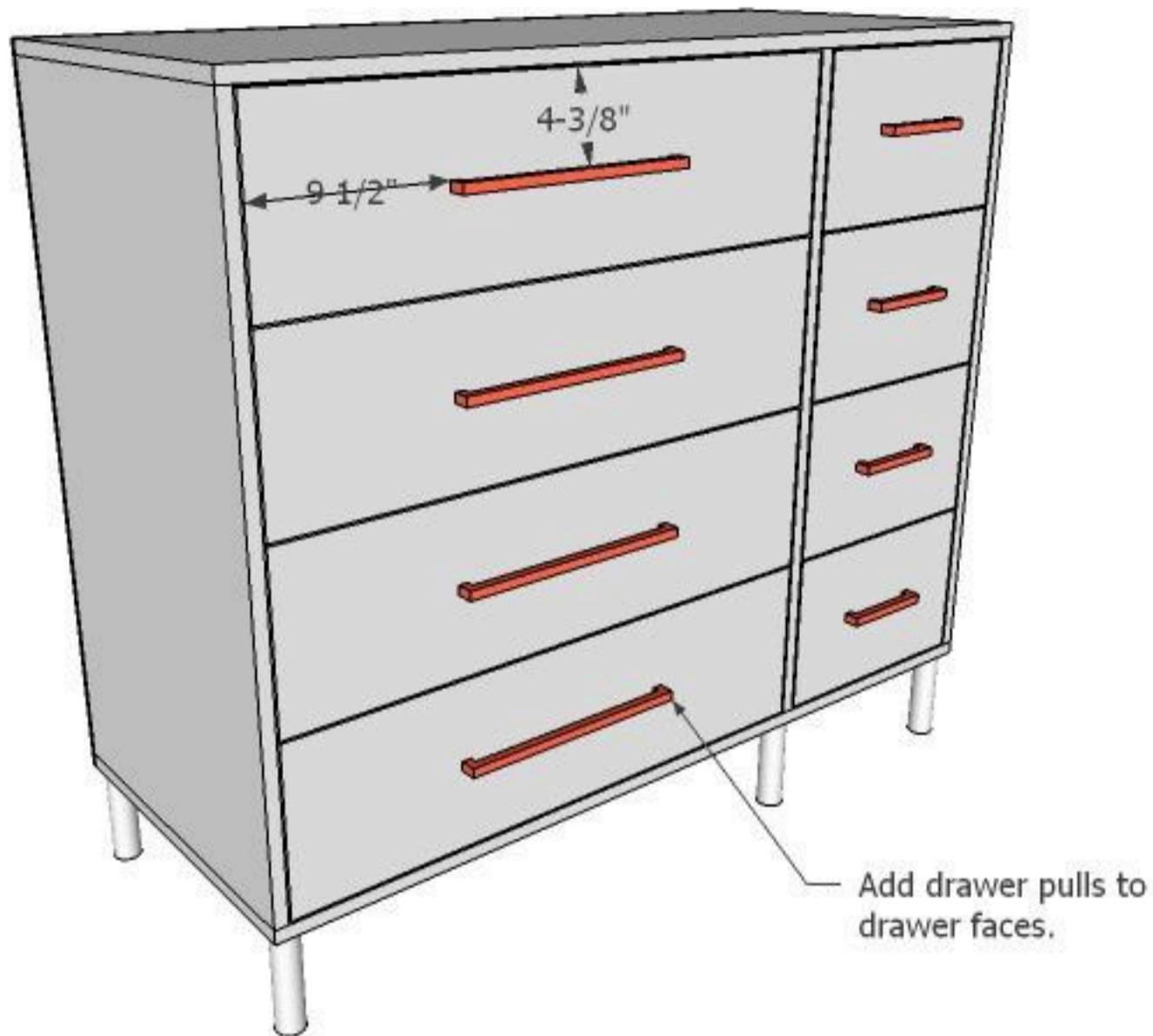
Align drawer faces to allow a  $\frac{1}{8}$ " gap around all sides. Attach faces to drawer boxes using  $1\frac{1}{4}$ " screws driven from the inside of the drawer boxes.



Pneumatic  
Addict

**11****Add Hardware**

Add drawer pulls or knobs to drawer faces.



Pneumatic  
Addict



12

### Find More Building Plans

Head to [www.PneumaticAddict.com](http://www.PneumaticAddict.com) for additional building plans and DIY tips!

