

DIY Laundry Basket Shelves – Free Project Plan

By **The Creative Mom**

Difficulty

Easy

This laundry basket shelf holds 6 basic laundry baskets. It is designed to be the height of a standard washer and dryer. The dimensions can easily be modified to fit any space. This is a basic build, with basic plywood and minimal tools. Perfect for a beginner.





Tools

Kreg Tools



[Accu-Cut™](#)



[Zinc Pocket-Hole Screws](#)



[Kreg@ Pocket-Hole Jig 720](#)



[Kreg@ Pocket-Hole Jig 720](#)

Other Tools

Circular Saw (cordless)

Tape Measure

Clamps

Drill (cordless)

Stapler

Sander

Materials

Wood Products

2 Plywood , 3/4" Thick , Full Sheet

1 Plywood , 1/4" Thick , Half Sheet

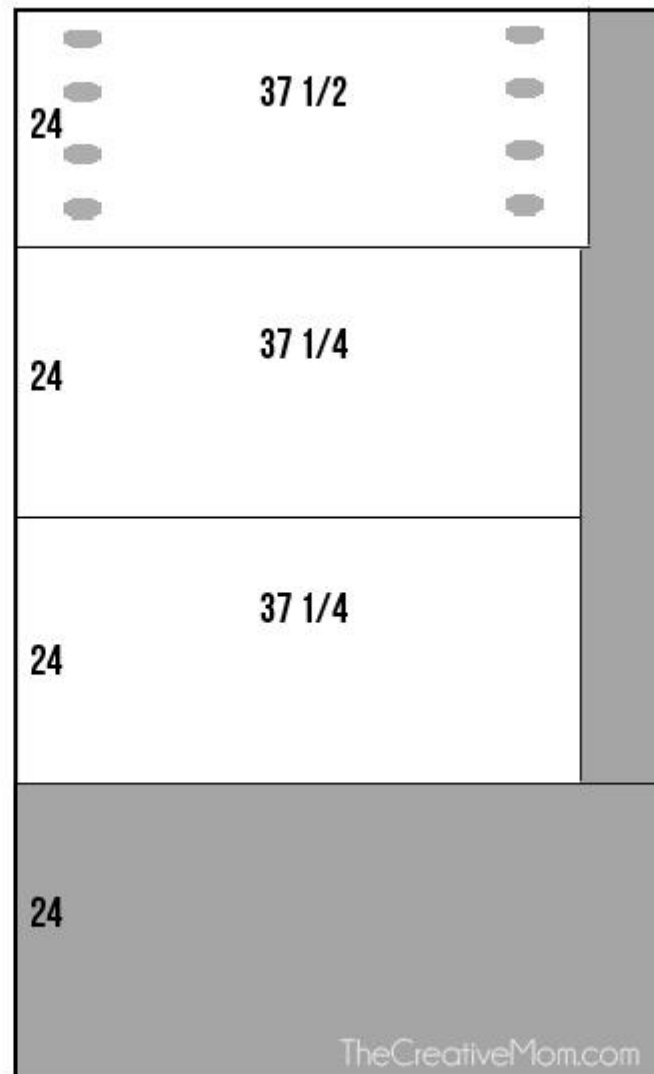
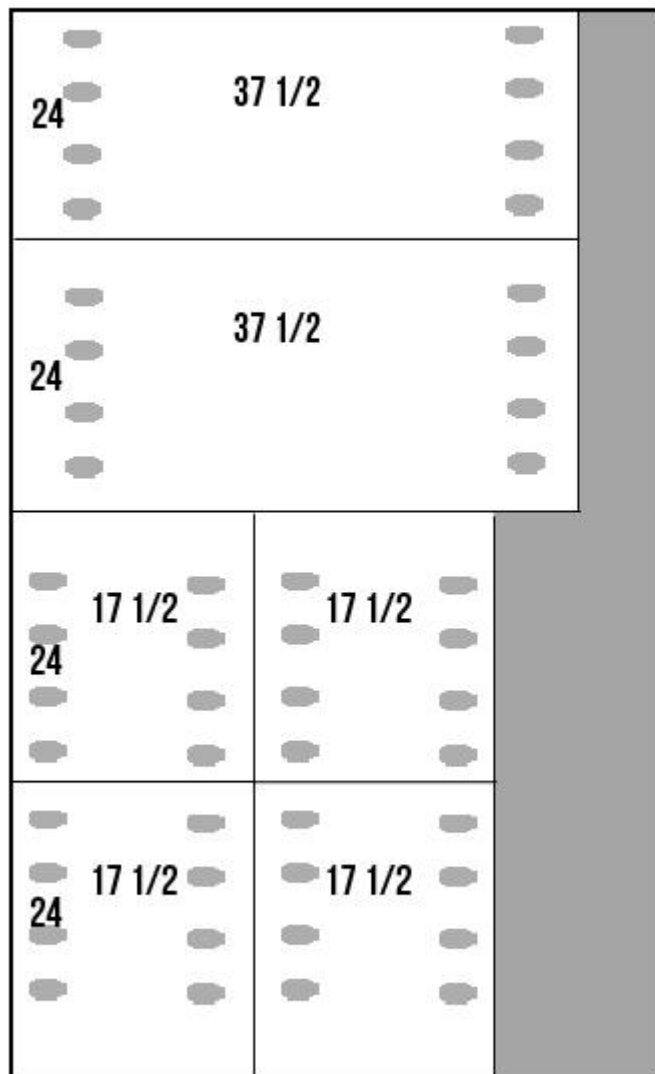
Hardware & Supplies

50 1 1/4" Pocket Hole Screws (See Tools List)

10 Staples

Cut List & Parts

- 2 Top And Bottom , 3/4" X 24" X 37 1/4"
- 3 Vertical Supports , 3/4" X 24" X 37 1/2"
- 4 Shelves , 3/4" X 24" X 17 1/2"
- 1 Backing , 1/4" X 34 1/4" X 39"



Directions

1

Cut Plywood and Drill Pocket Holes

Using 3/4" plywood, cut the following:

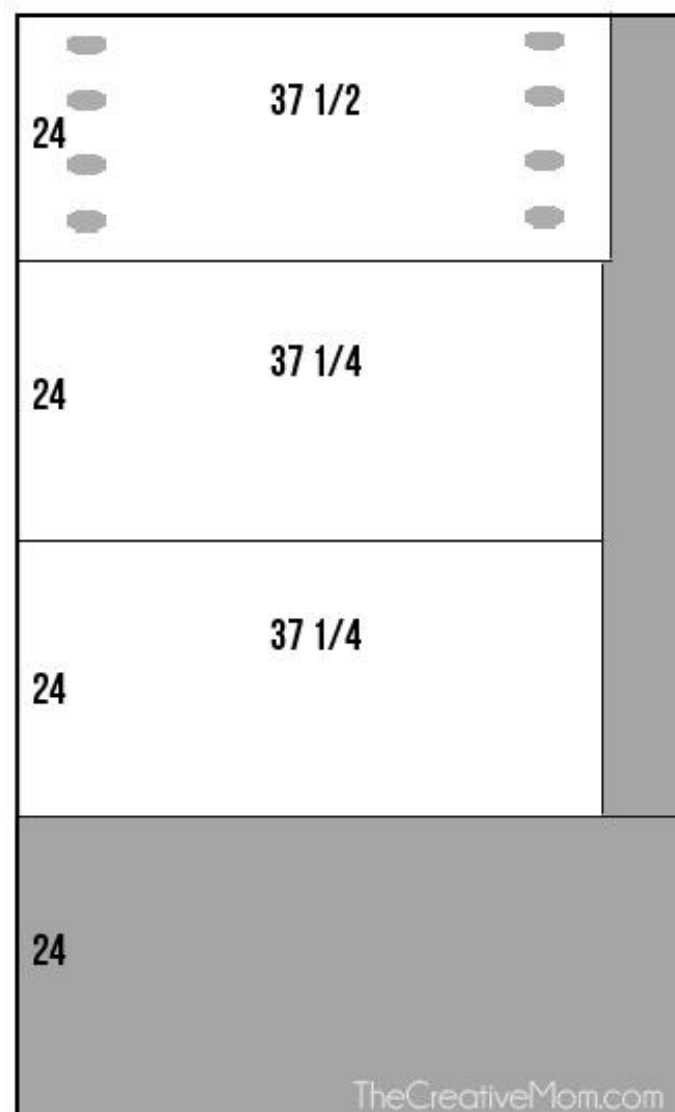
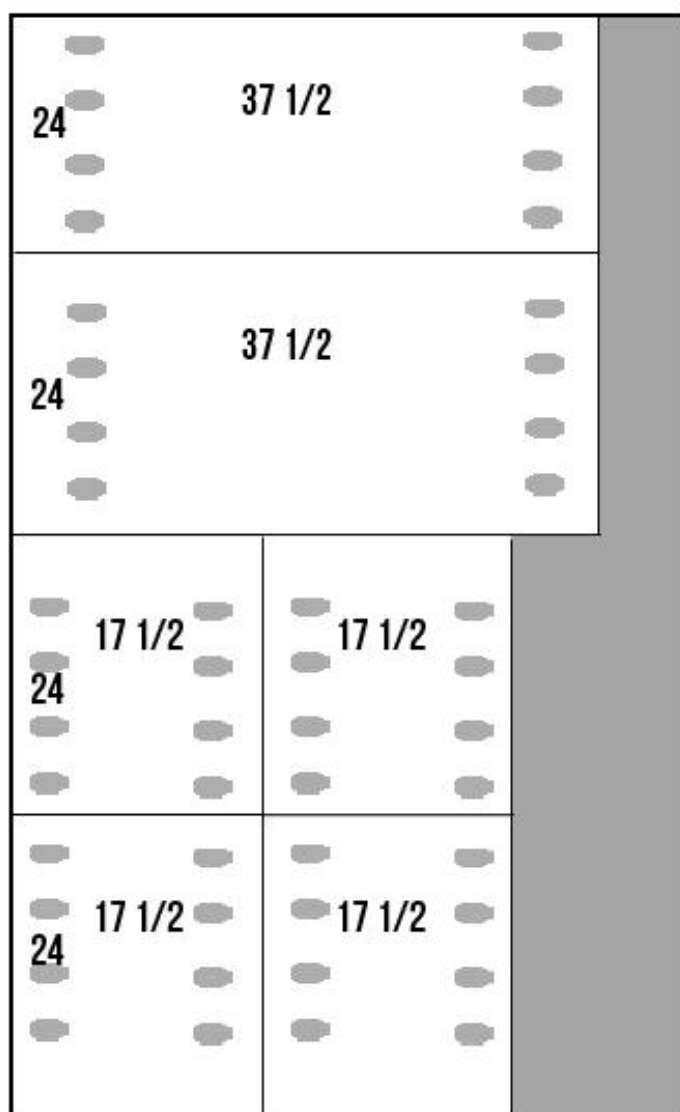
3- 24" x 37 1/2" with pocket holes on short sides (vertical pieces)

2- 24" x 37 1/4" no pocket holes (top and bottom)

4- 24" x 17 1/2" with pocket holes on long sides (shelves)

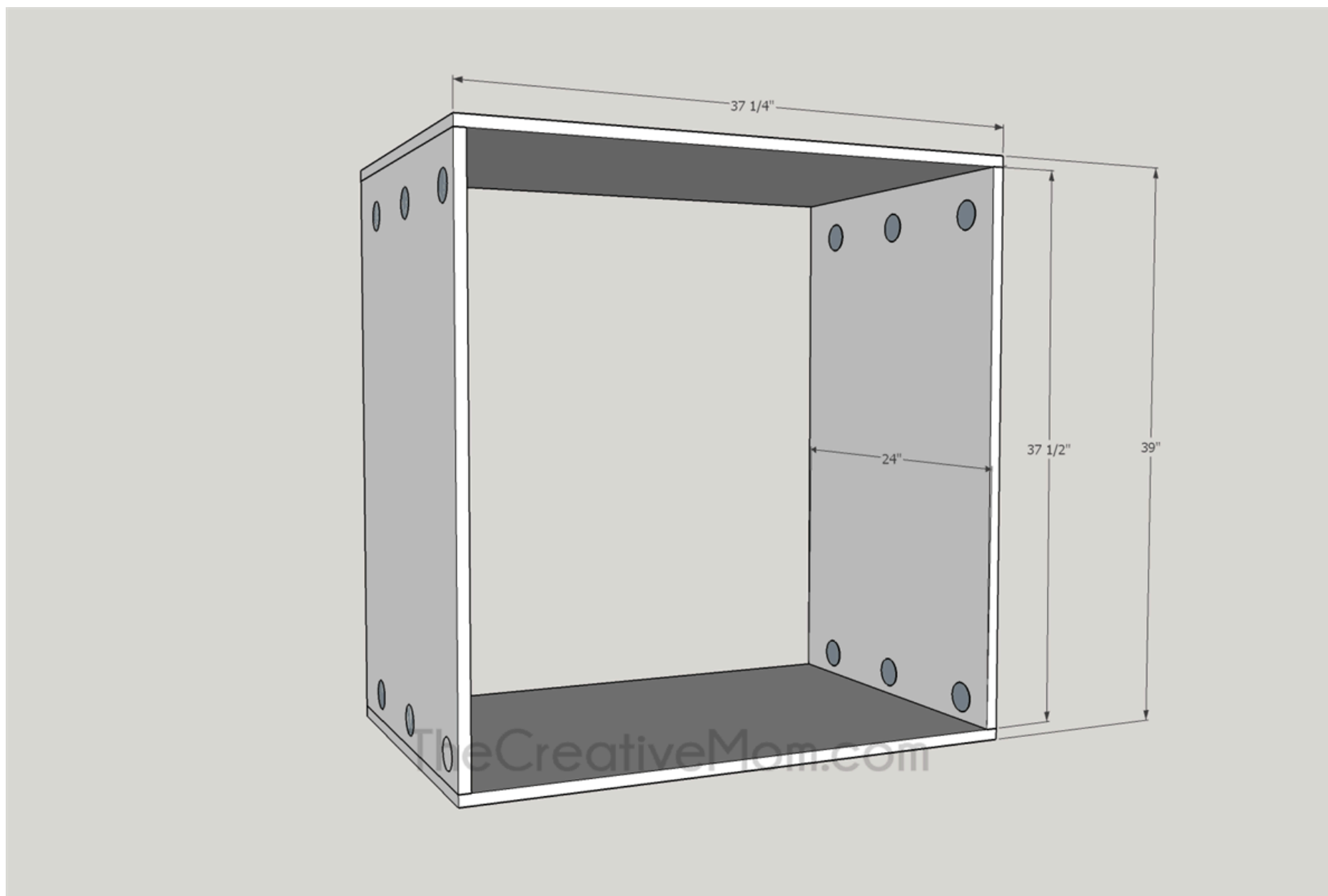
Using 1/4" plywood backing, cut the following:

1- 37 1/4" x 39" (backing)



2**Build Box**

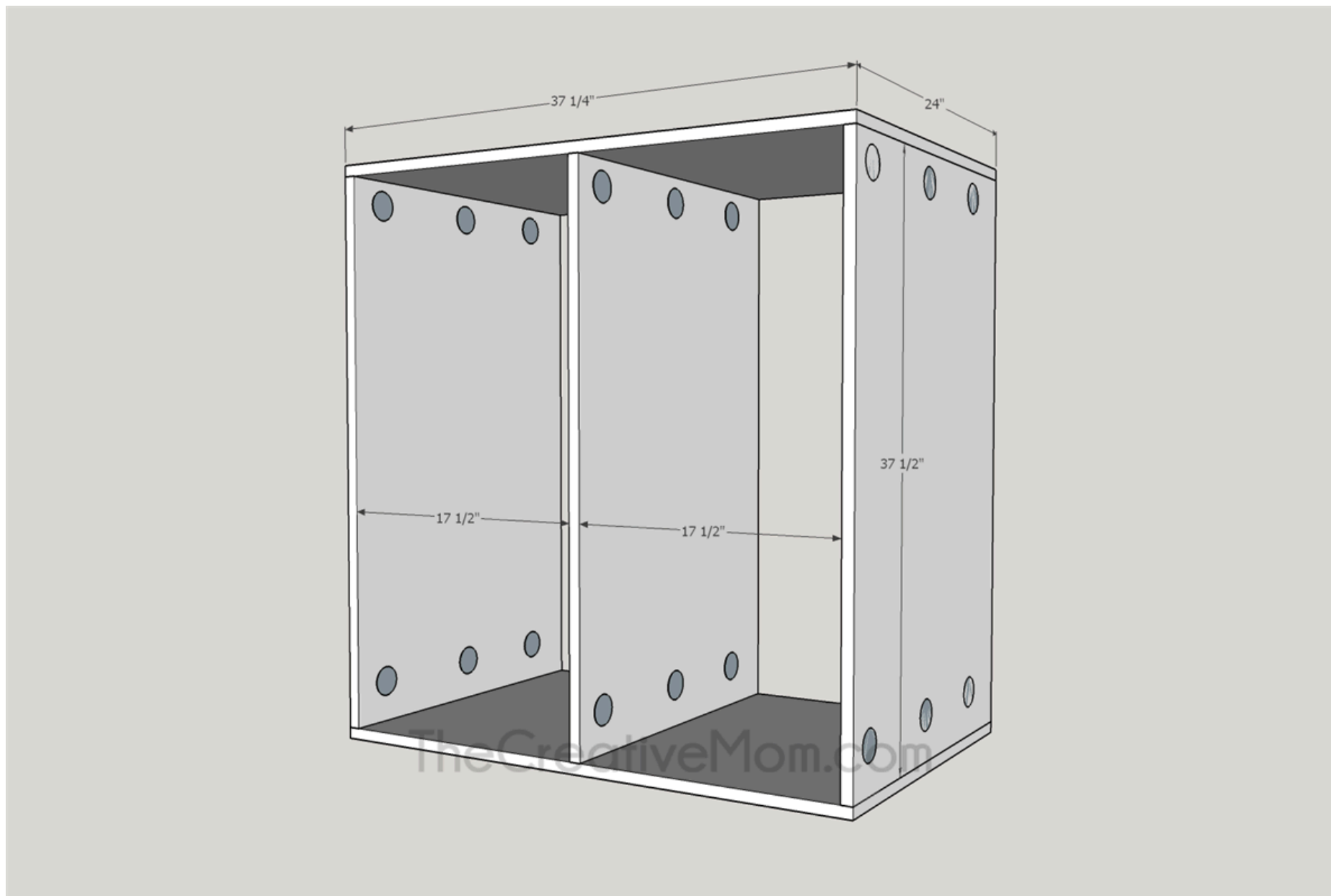
Using wood glue and 1 1/4" pocket hole screws, attach the 37 1/2" x 24" pieces to the 37 1/4" x 24" pieces.



3

Attach Middle Support

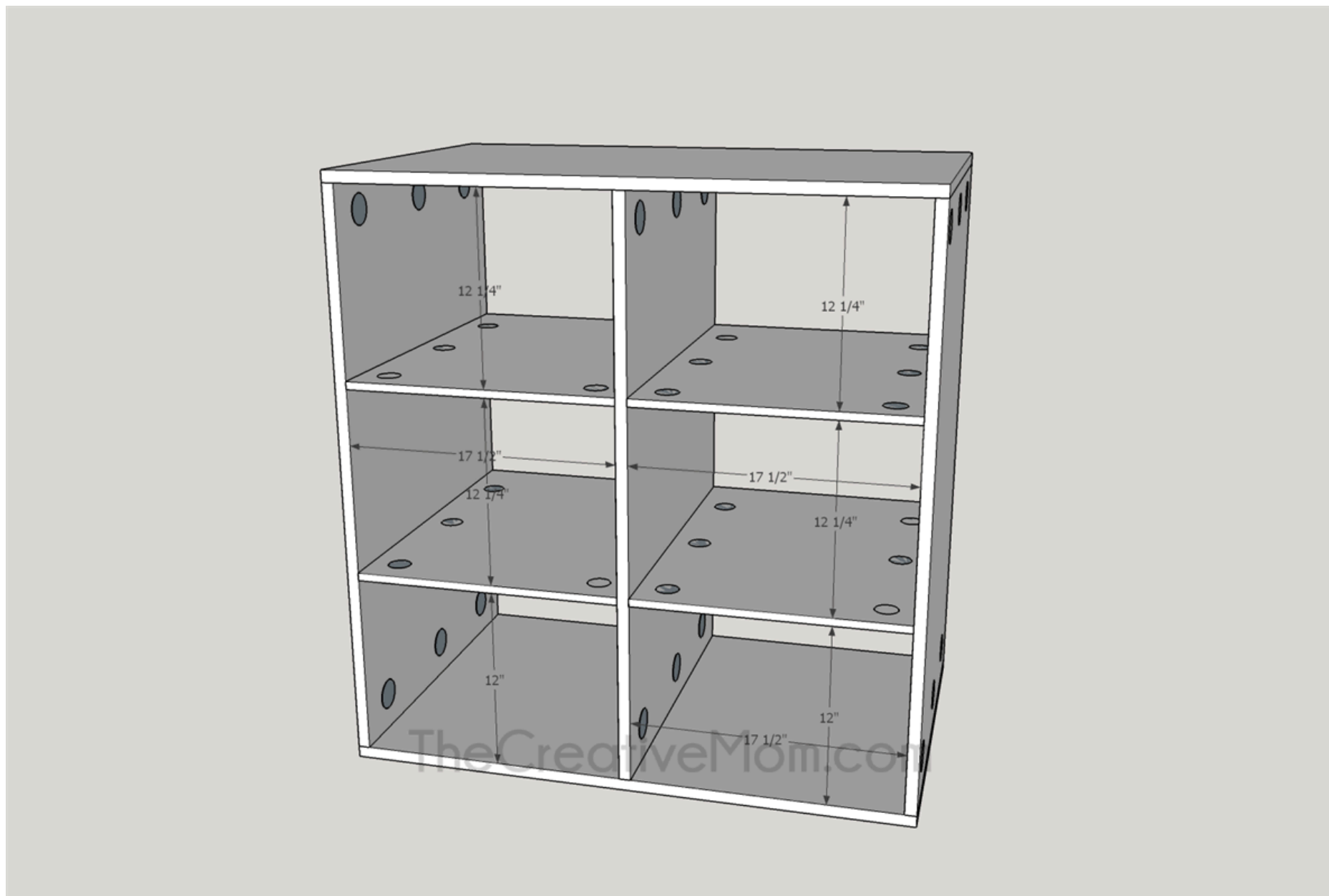
Using wood glue and 1 1/4" pocket hole screws, attach the middle vertical piece (37 1/2" x 24") to the center of the box. It should be about 17 1/2" on each side, but because materials vary, it's best to measure to find center.



4

Attach Shelves

Using wood glue and 1 1/4" pocket hole screws, attach the horizontal shelves, with the pocket holes on the underside. These shelves should be about 12" to 12 1/4" apart.



5

Finish

Sand, putty, and paint or stain your piece.

6

Add Backing

Using staples, add the backing to the back of your shelf.

