

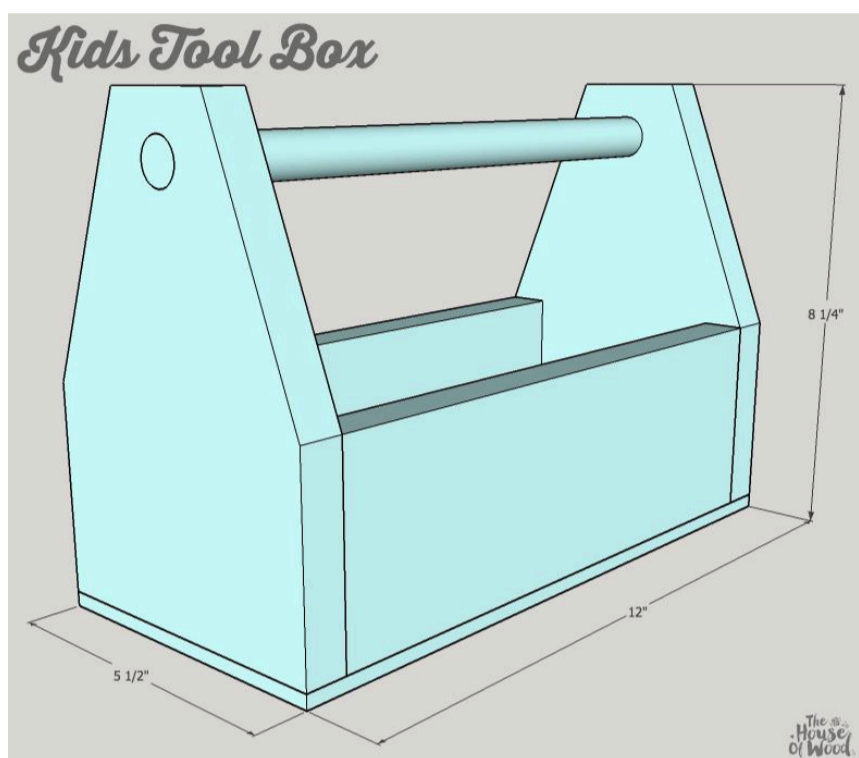
# Kids Tool Box

By **Jen Woodhouse**

Difficulty

Easy

This kid's tool box is perfectly sized for your little one to tote around. My son received a play tool set for Christmas so I built him his very own tool box to keep his tools in. He loves it and has not stopped carrying it around. This is a very simple project that you can build with scrap wood!



# Tools

## Other Tools

Circular Saw (cordless)

Jigsaw

Miter Saw

Square

Tape Measure

Spade or Forstner Drill Bit

Drill (cordless)

Nail Gun

Stapler

Sander

# Materials

## Wood Products

1 Board , 1x6 , 24"

1 Plywood , 1/4" Thick , 10-1/2" X 5-1/2"

1 Dowel , 3/4" Diameter , 12"

1 Board , 1x4 , 24"

## Hardware & Supplies

1 1-1/4" Brad Nails

1 Wood Glue

1 3/4" Staples Or Brad Nails

# Cut List & Parts

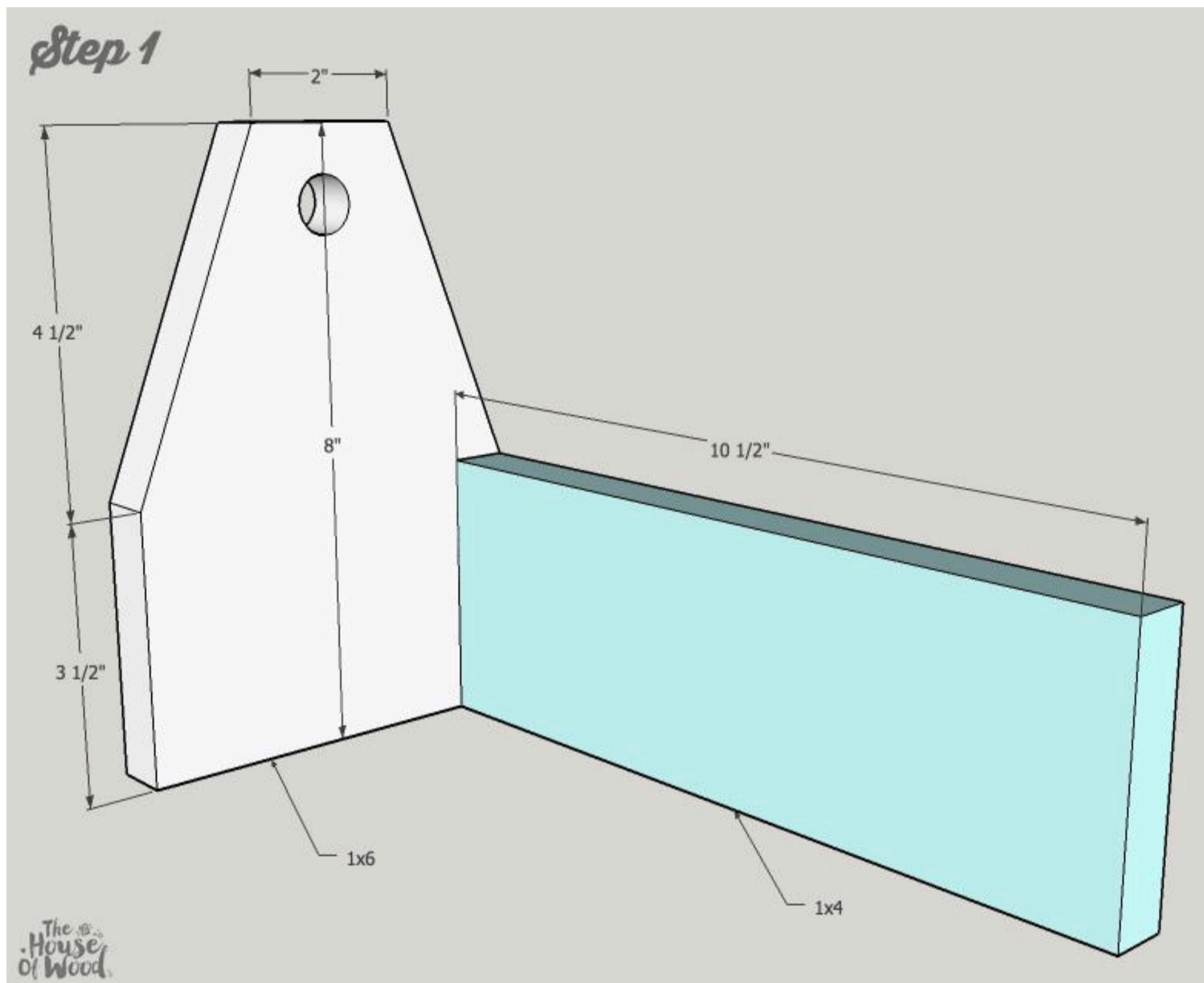
- 1 Bottom , 1/4" X 12" X 5-1/2"
- 2 Sides , 3/4" X 3-1/2" X 10-1/2"
- 2 Ends , 3/4" X 5-1/2" X 8"
- 1 Dowel , 3/4" X 12"

# Directions

1

## Cut and Attach One Side

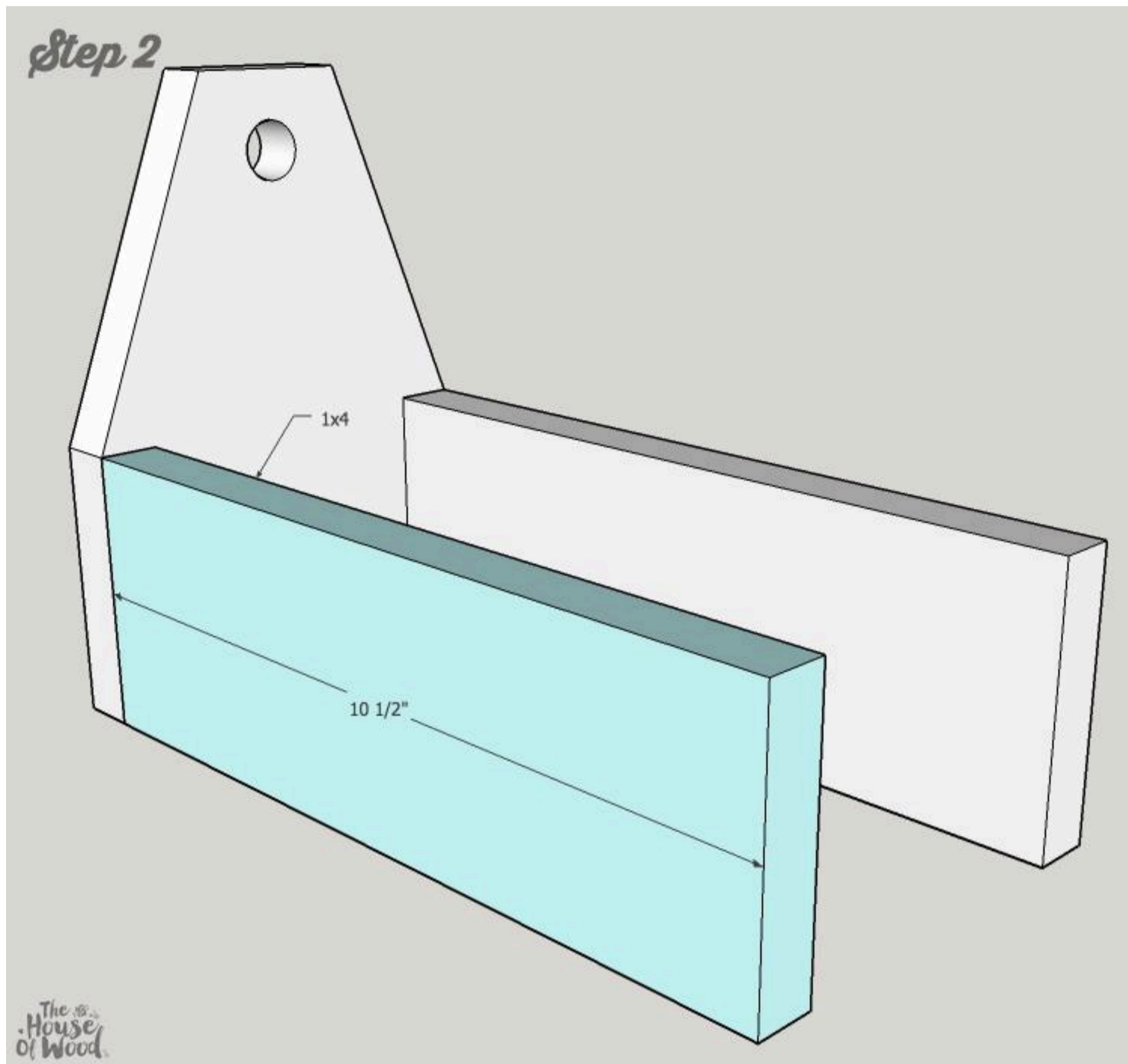
Cut two 1x6s as shown, clamp the two boards together and use a 3/4" spade or forstner drill bit to drill the hole for the dowel. Then attach one 1x4 side to one 1x6 end with 1-1/4" brad nails and wood glue.



2

### Attach Other Side

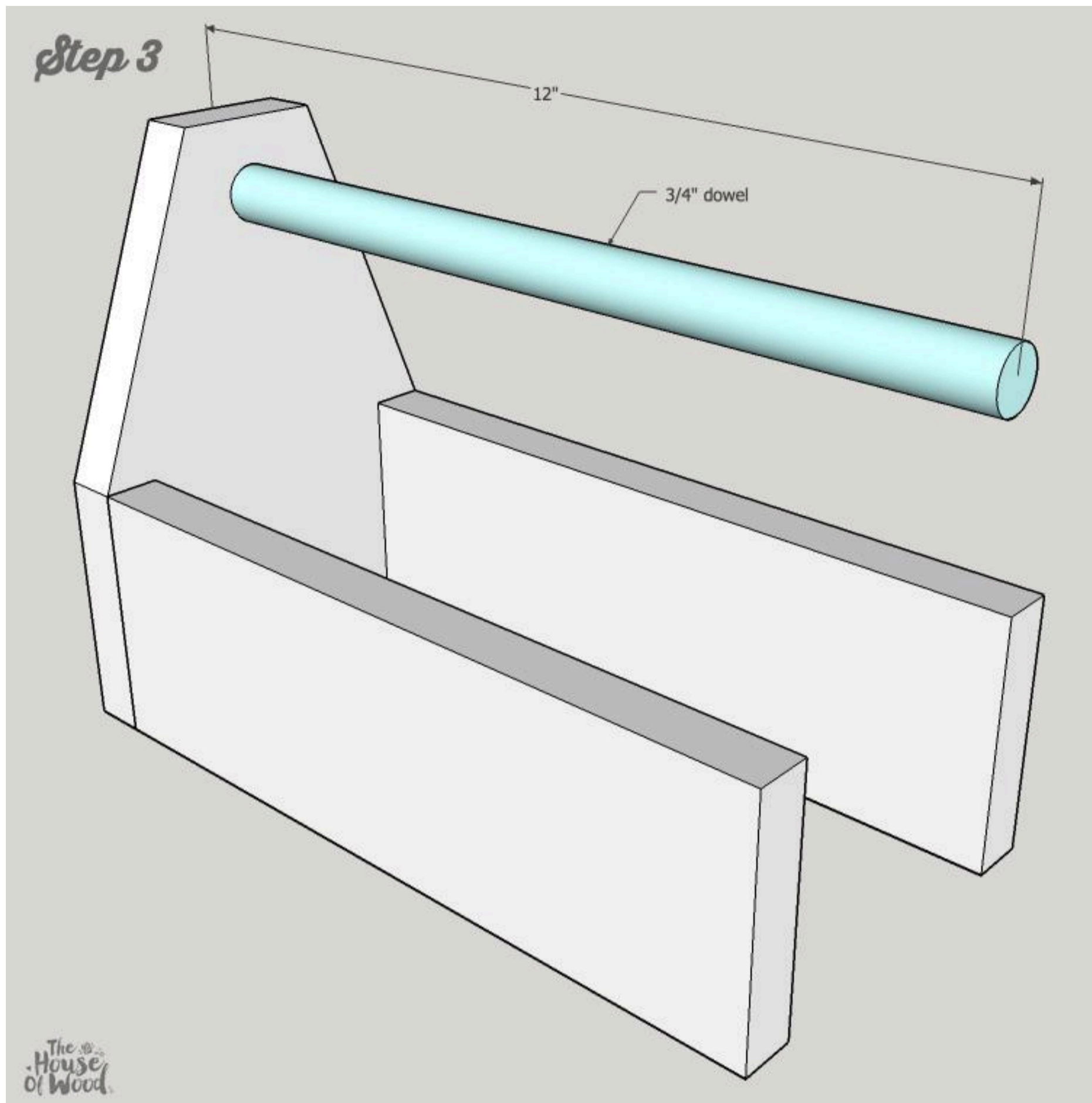
Attach the other side to one 1x6 end with 1-1/4" brad nails and wood glue.



3

### Insert Dowel

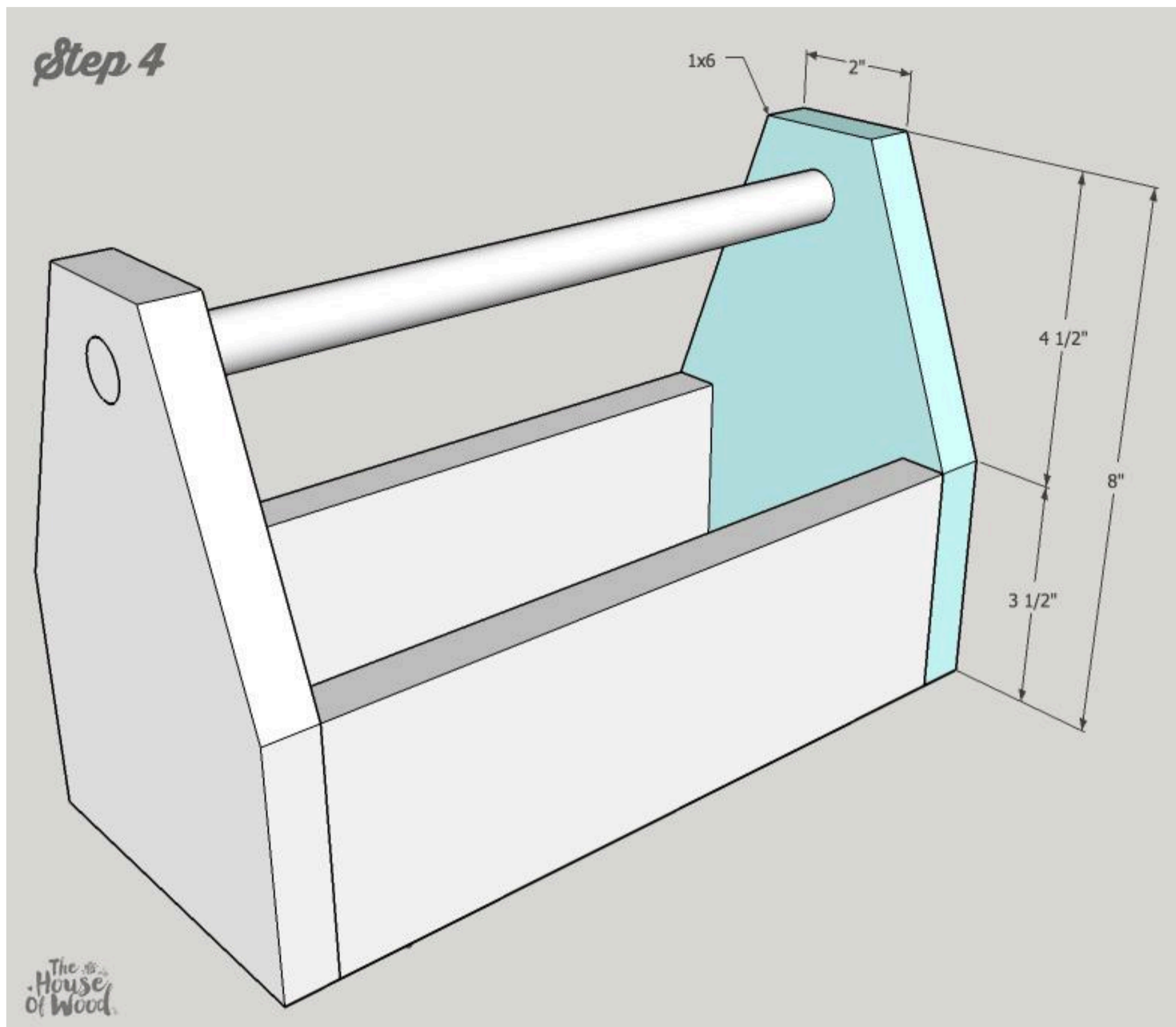
Squeeze some wood glue in the dowel hole and insert the 3/4" dowel, using a mallet to hammer it into place.



4

### Attach Other End

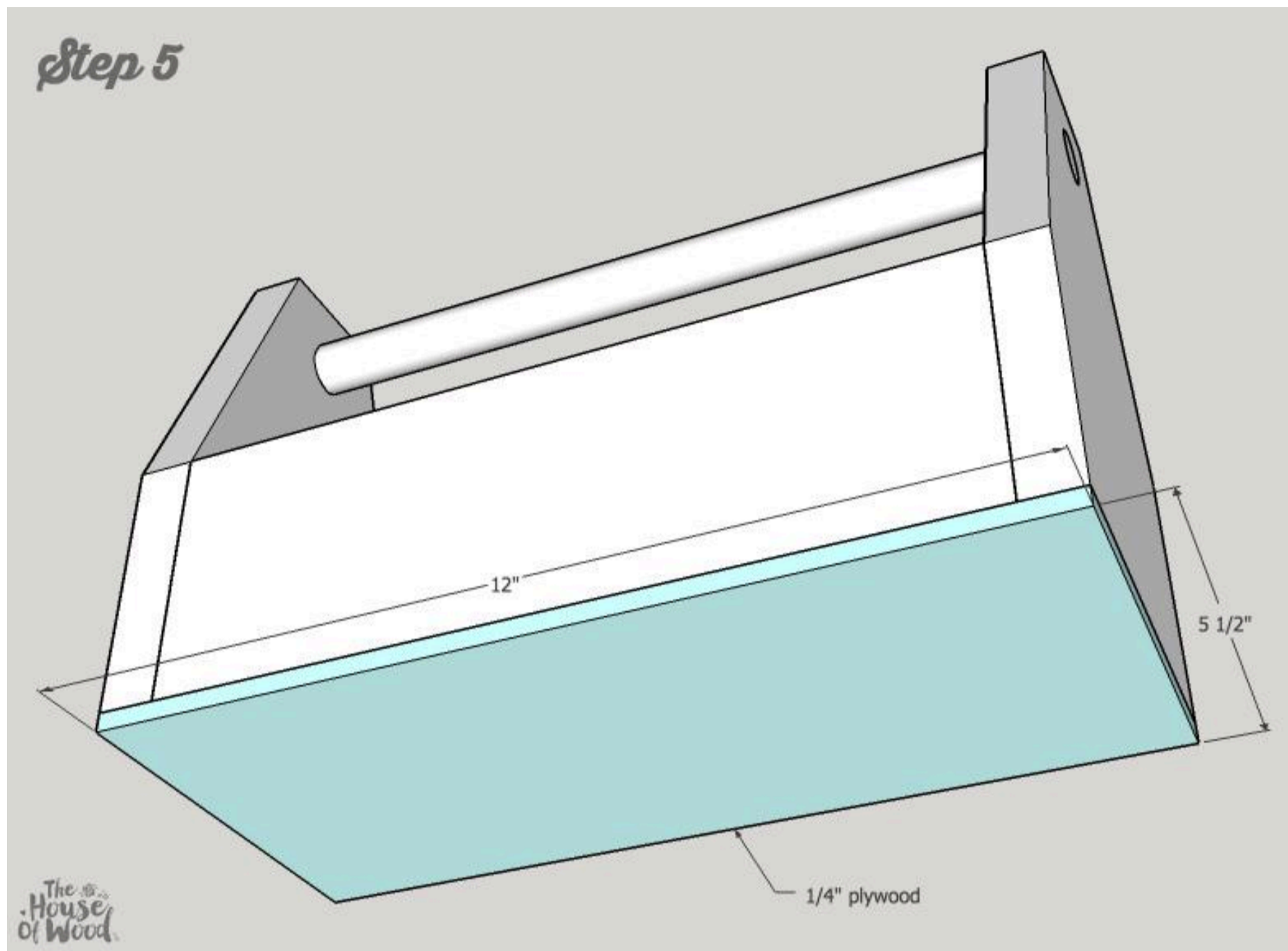
Squeeze some wood glue into the dowel hole and use a mallet to hammer the dowel into place. Then use 1-1/4" brad nails and wood glue to attach the other 1x6 end.



5

### Attach Bottom

Attach the 1/4" plywood bottom with 3/4" staples or brad nails and wood glue.





6

**Visit [www.JenWoodhouse.com](http://www.JenWoodhouse.com)**

For more free building plans and DIY projects, visit [www.JenWoodhouse.com](http://www.JenWoodhouse.com).

