

Industrial Shoe Rack

By **DIY Huntress**

Difficulty

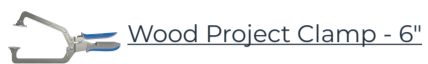
Easy

Add style and function to your home with a DIY industrial style shoe rack.



Tools

Kreg Tools



Other Tools

Miter Saw

Drill (cordless)

Sander

Shop Vacuum

Workbench

Materials

Wood Products

- 2 Board , 1x2 , 72"
- 2 Board , 1x4 , 72"
- 4 Square Dowel , 3/4 X 3/4 , 36"

Hardware & Supplies

- 1 Can Rustoleum Hammered - Silver
- 1 Pint Minwax Stain - Honey
- 1 Bottle Wood Glue
- 50 1 1/4" Pocket Hole Screws

Cut List & Parts

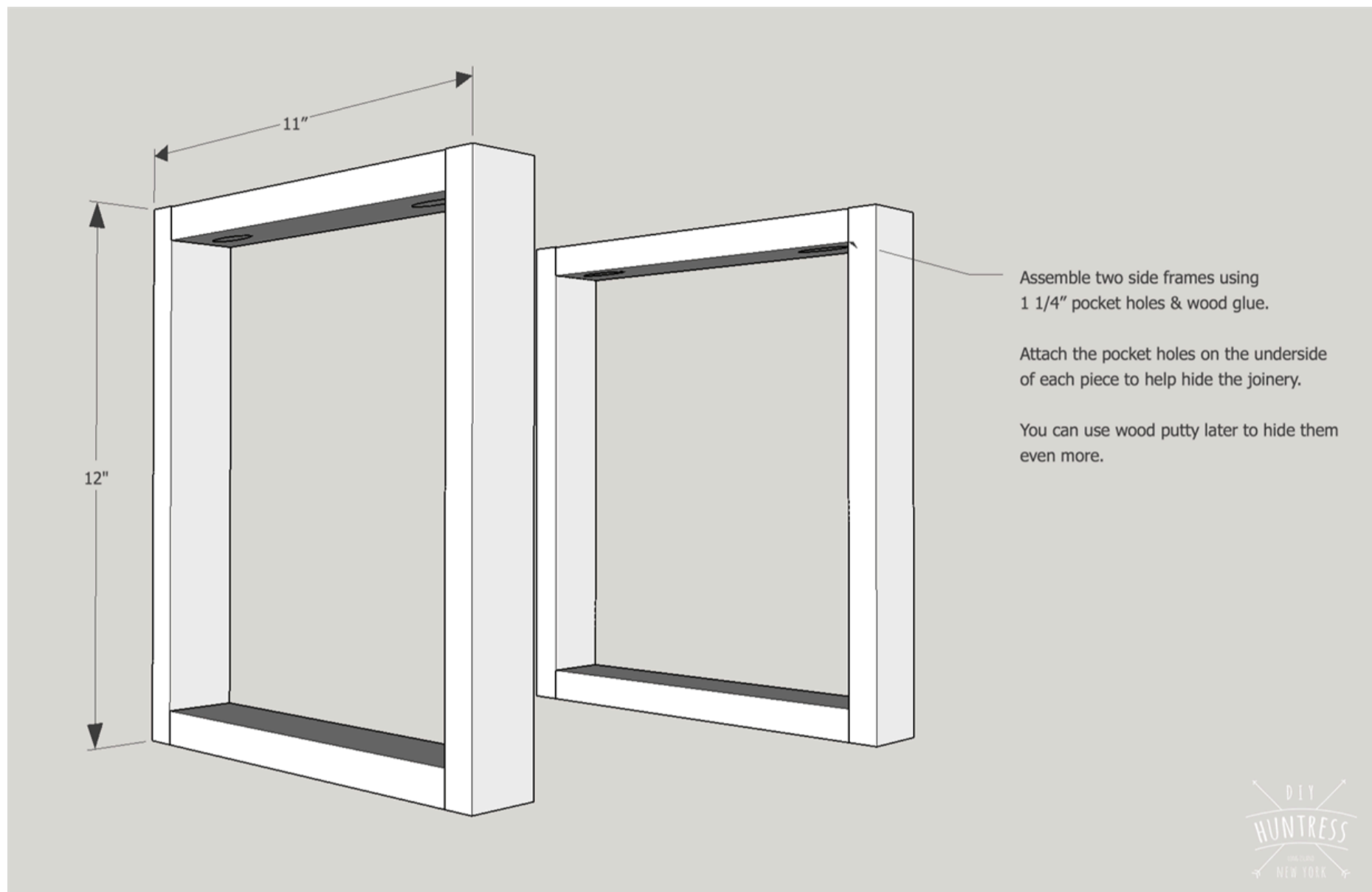
- 4 Legs, 1 X 2 X 12"
- 4 Small Frames, 1 X 2 X 9 1/2"
- 4 Long Frames, 3/4 X 3/4 X 24 1/2"
- 14 1 X 4 X 9 1/2", Shelf Panels

Directions

1

Build The Side Frames

Build two sets of side frames by attaching the tall leg pieces and small frame pieces with 1 1/4" pocket hole screws and wood glue. You may want to fill in pocket holes, sand, and paint these frames before attaching them to the long frames in the next step.

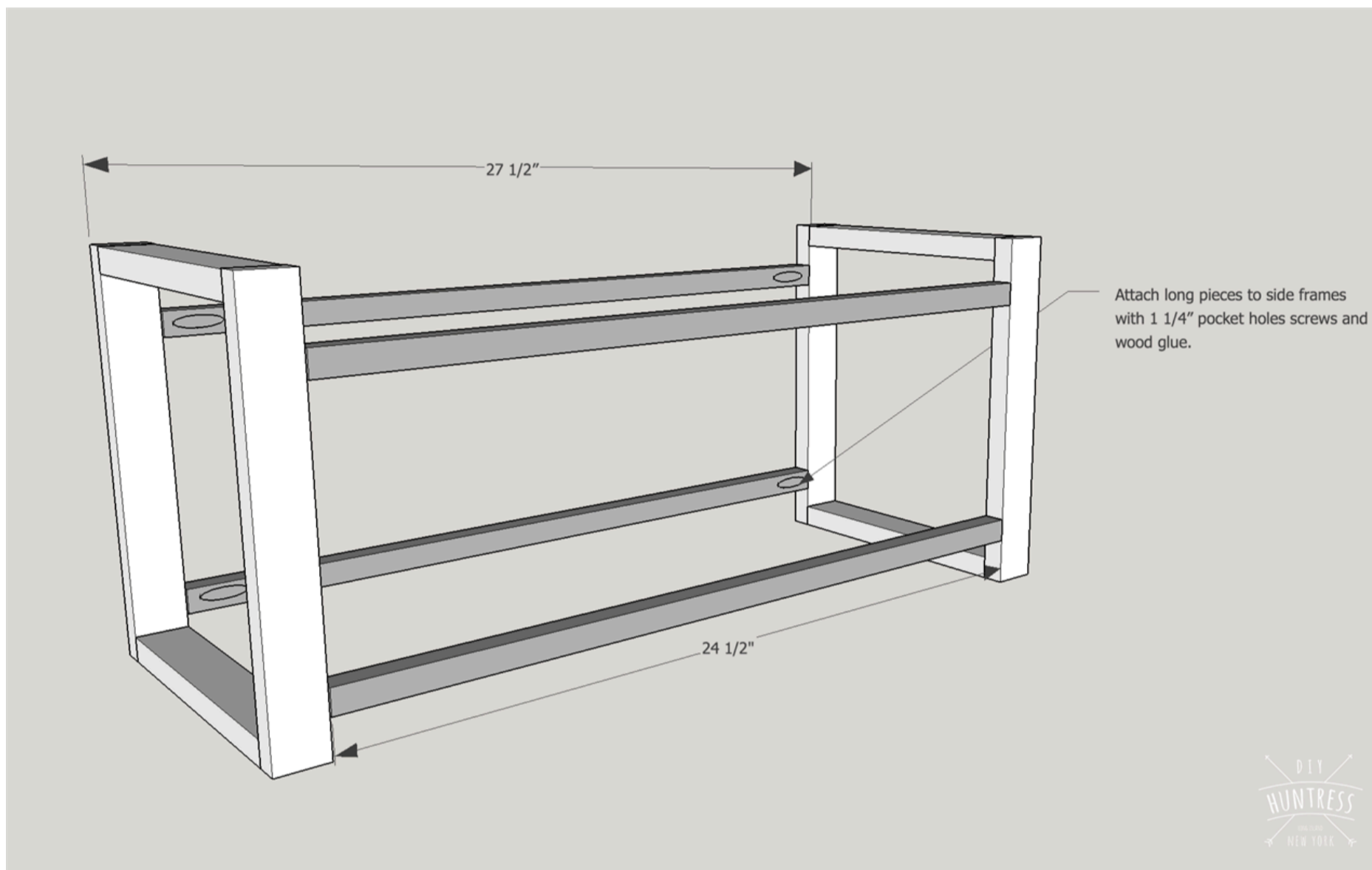


2

Add The Long Frames

Cut and add the long frames to the side frames with 1 1/4" pocket hole screws and wood glue. You can paint these after they are assembled, or before.

Use a spacer to help get even spacing on the bottom and top of the unit. I placed my shelves 2" away from the top and the bottom of the shoe rack.

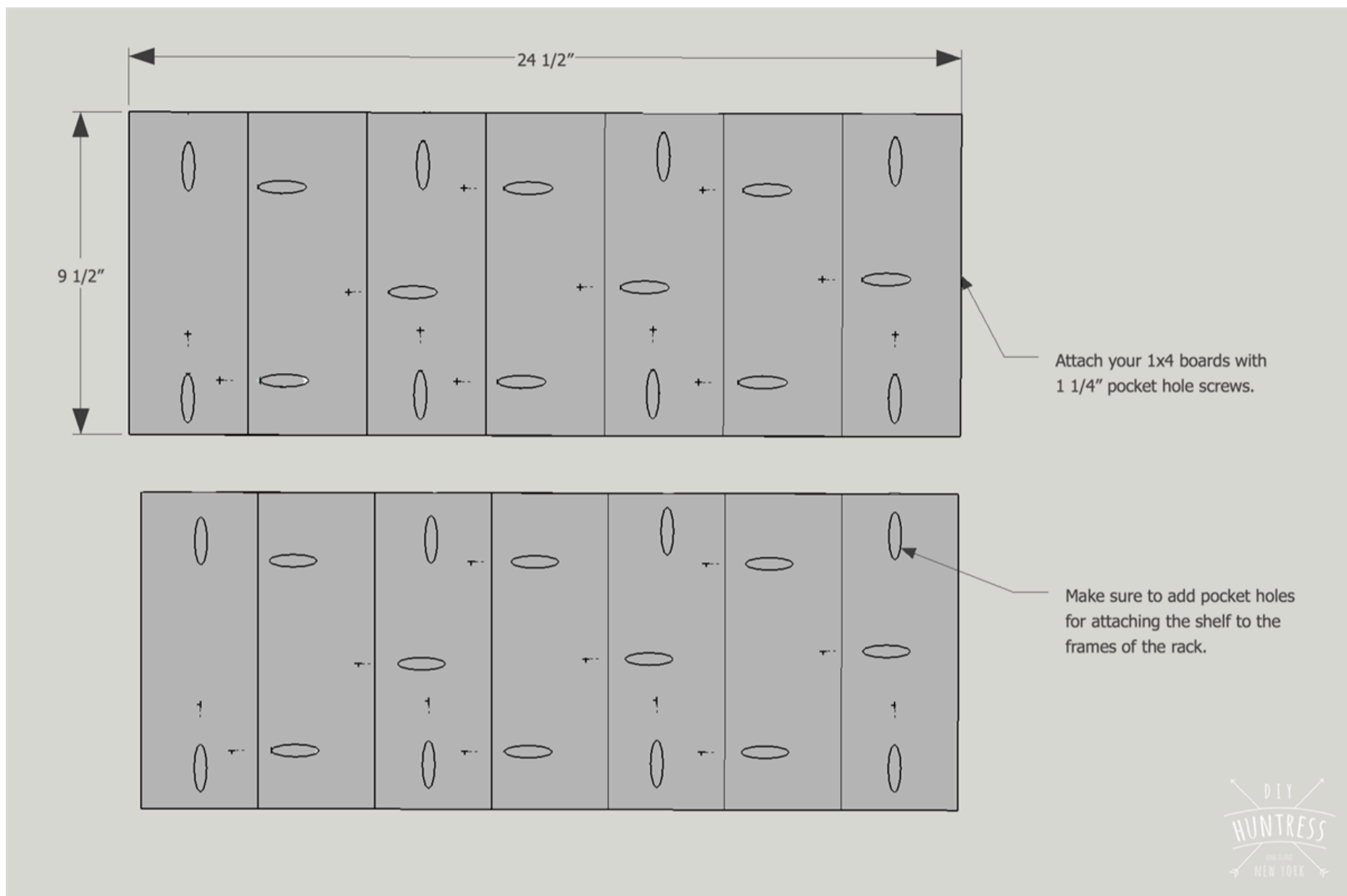


3

Build The Shelves

Build two sets of shelves by attaching 7 1x4 pieces with 1 1/4" pocket hole screws. I did not use wood glue here, as it will allow for expansion of the wood.

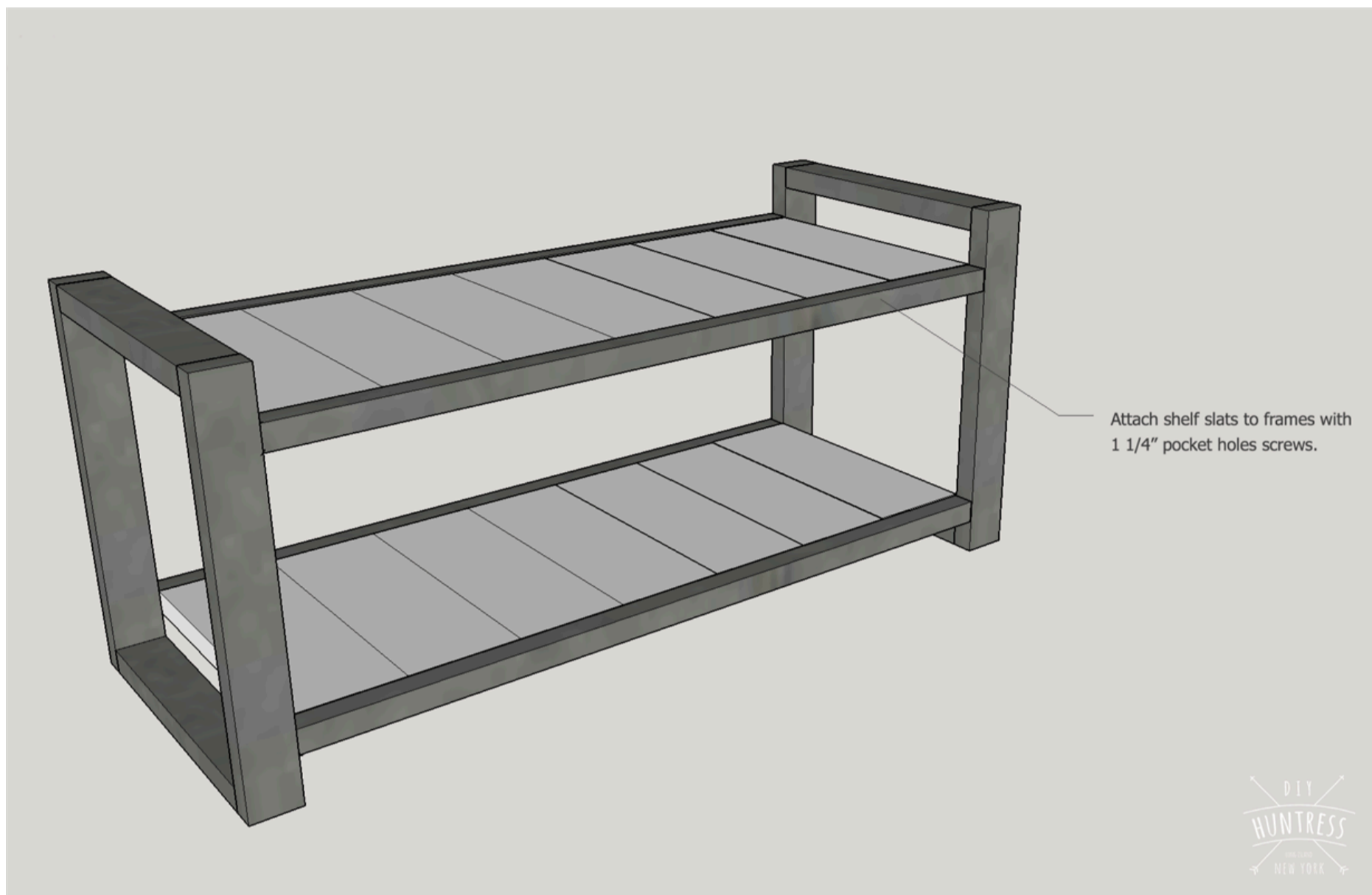
Be sure to follow the diagram to find the correct pocket hole pattern. You will also need to add pocket holes for attaching the shelves to the frame of the shoe rack.



4

Attach Shelving

After staining the shelves, attach them to the finished shoe rack frame with 1 1/4" pocket hole screws.



5

Finish

Display the unit with your favorite shoes!

