

Floating Top Sofa Table

By **Pneumatic Addict**

Difficulty

Easy

With the clean lines of this floating top console/sofa table, you can add any kind of top you would like. Construct a top out of wood, concrete, or even a live edge slab to create a custom look. Plan can be adapted for custom milled hardwood or off the shelf lumber.





Tools

Other Tools

Circular Saw (corded)

Drill Press

Miter Saw

Square

Table Saw

Tape Measure

Clamps

Drill (cordless)

Drill Press

Impact Driver

Sander

Sawhorse

Workbench

Materials

Wood Products

2 Board , 2x12 , 96"

1 Live Edge Slab Or Other Material , 1-1/2" X 14" , 72"

1 Hardwood Dowel , 1-3/8" , 12"

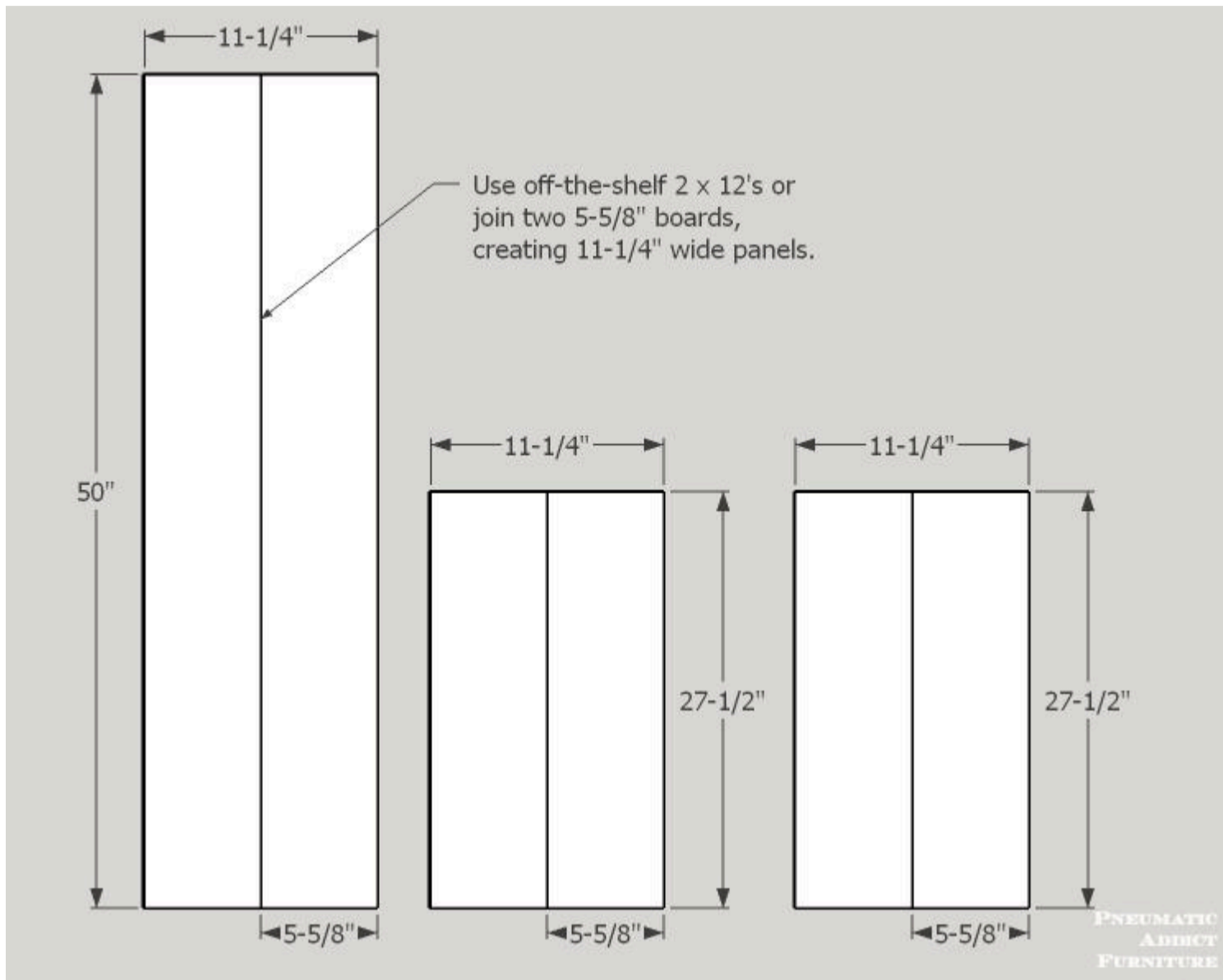
Hardware & Supplies

4 1/4" X 4" Lag Screws

4 1/4" Washers

Cut List & Parts

- 1 Floating Top , 1-1/2" X 14" X 72"
- 1 Console Top , 1-1/2" X 11-1/4" X 50"
- 2 Side Panels , 1-1/2" X 11-1/4" X 27-1/2"

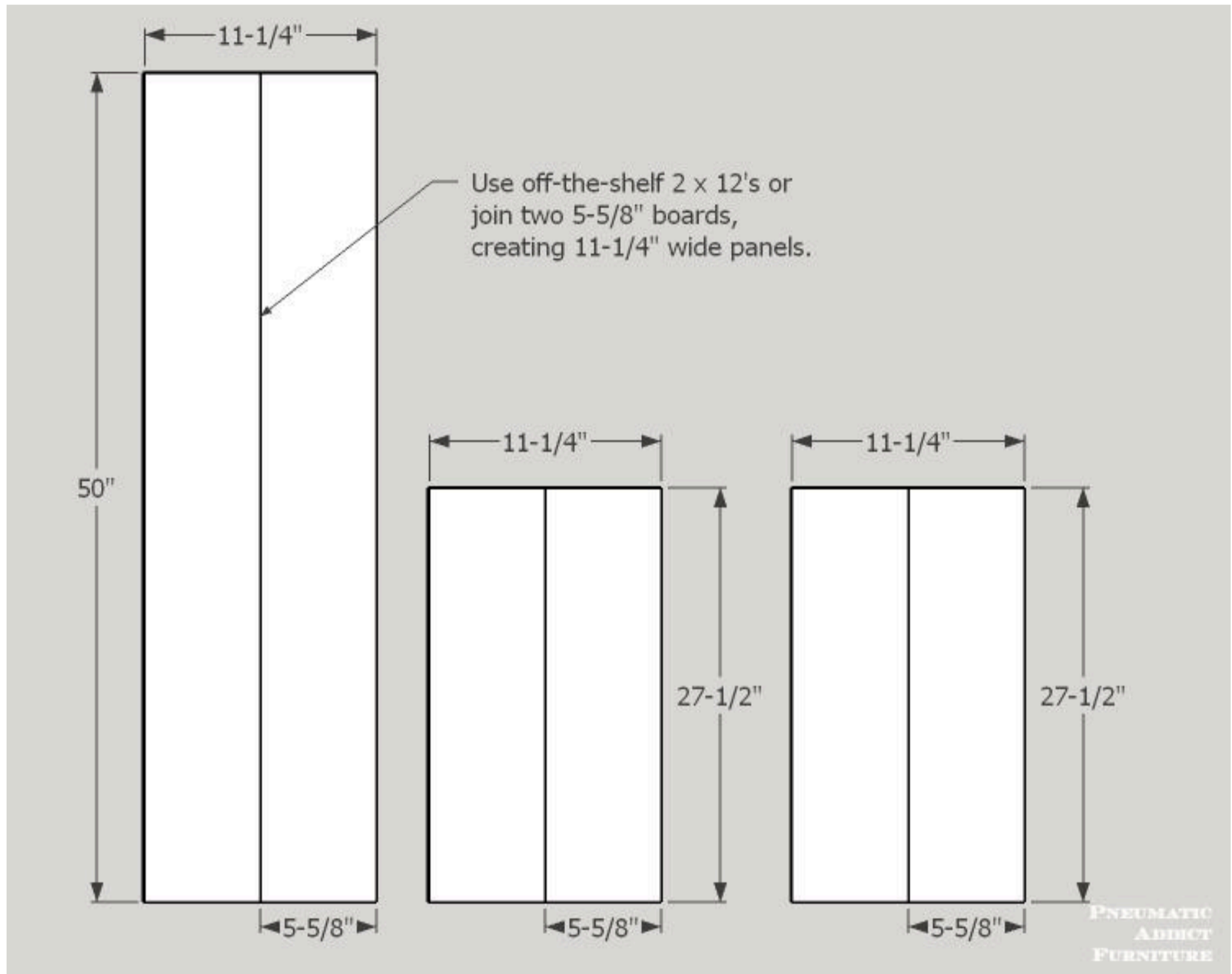


Directions

1

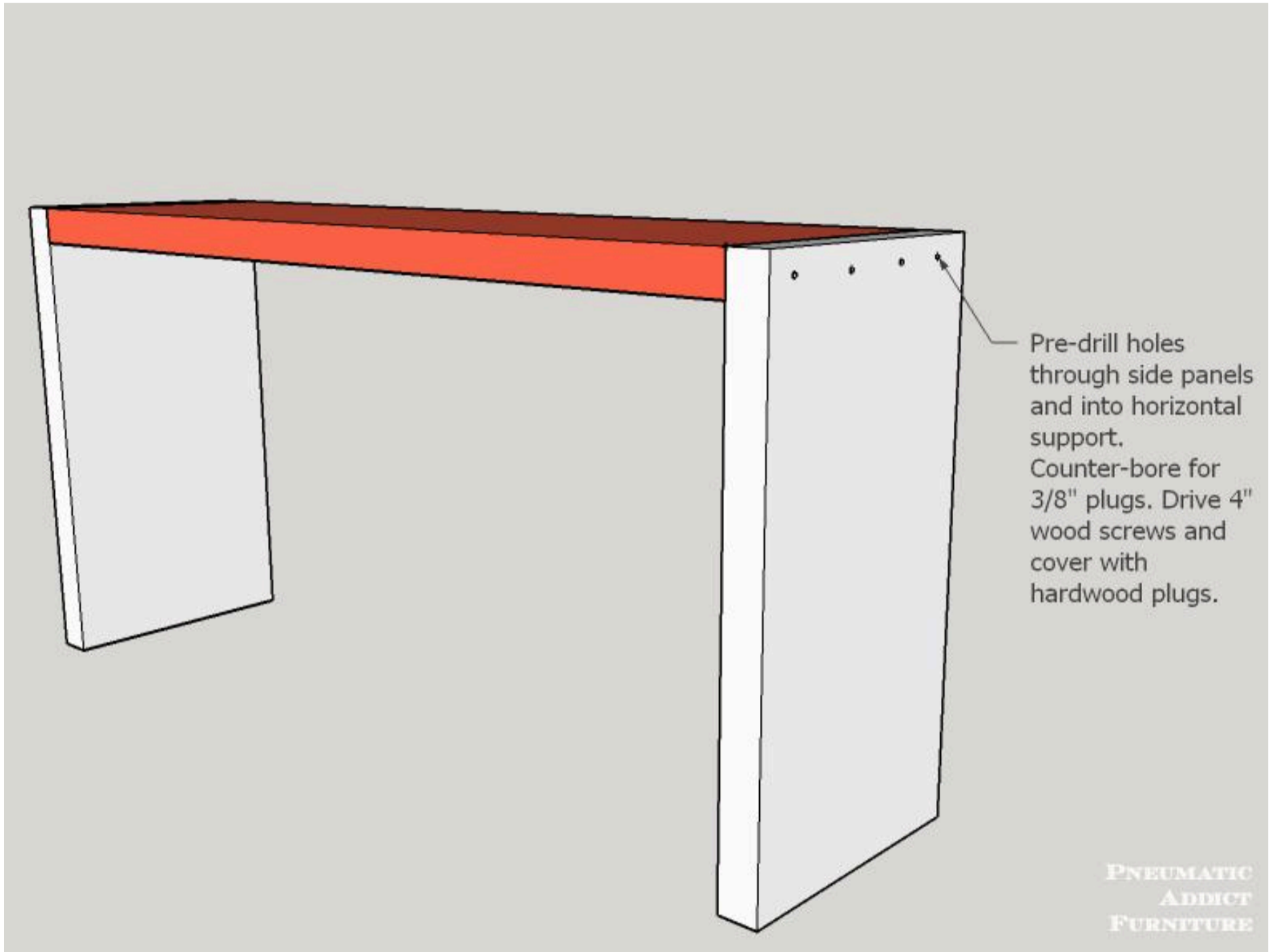
Cut Boards to Size

Join boards to create 11-1/4" wide panels, or use off-the-shelf 2 x 12 lumber. Cut one panel 50" in length and two 27-1/2" in length.



2**Connect Panels**

Align the top of the longer panel with one edge of each shorter panel. Measure 3/4" from edge, pre-drill and countersink four holes. Add glue to connecting faces and drive 4" wood screws. Cover holes with plugs and cut flush.



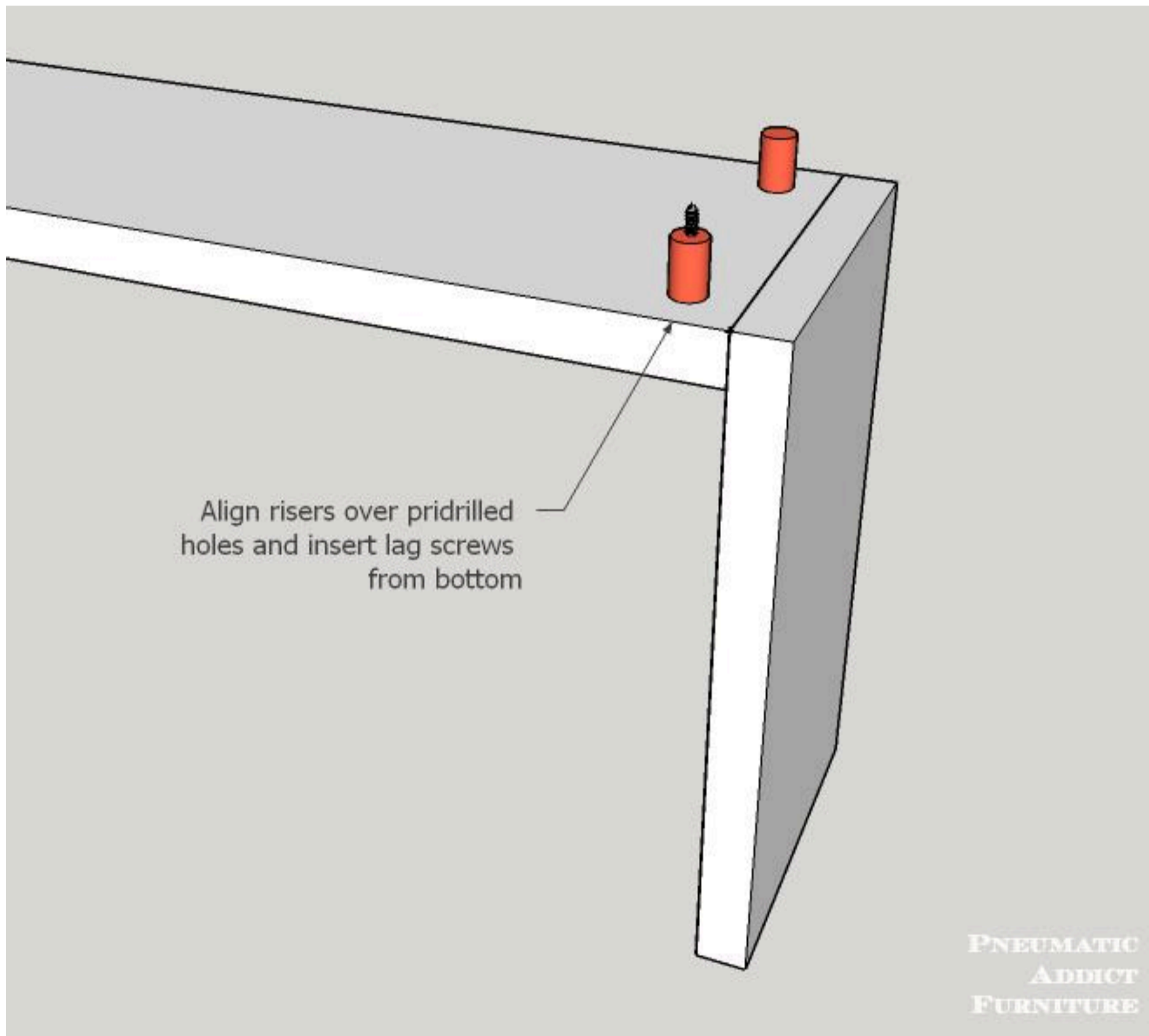
3

Add Risers

Cut four- 2" long, pieces of 1-3/8" wood dowel. Mark the center and drill a hole through each dowel piece using a 1/4" drill bit.

On the top of the console base, measure 4" from the end and 2" from each long side and make a mark. Using a 1/4" drill bit, drill a hole through each mark. On the underside, countersink each hole 3/8" deep with a 3/4" forstner bit.

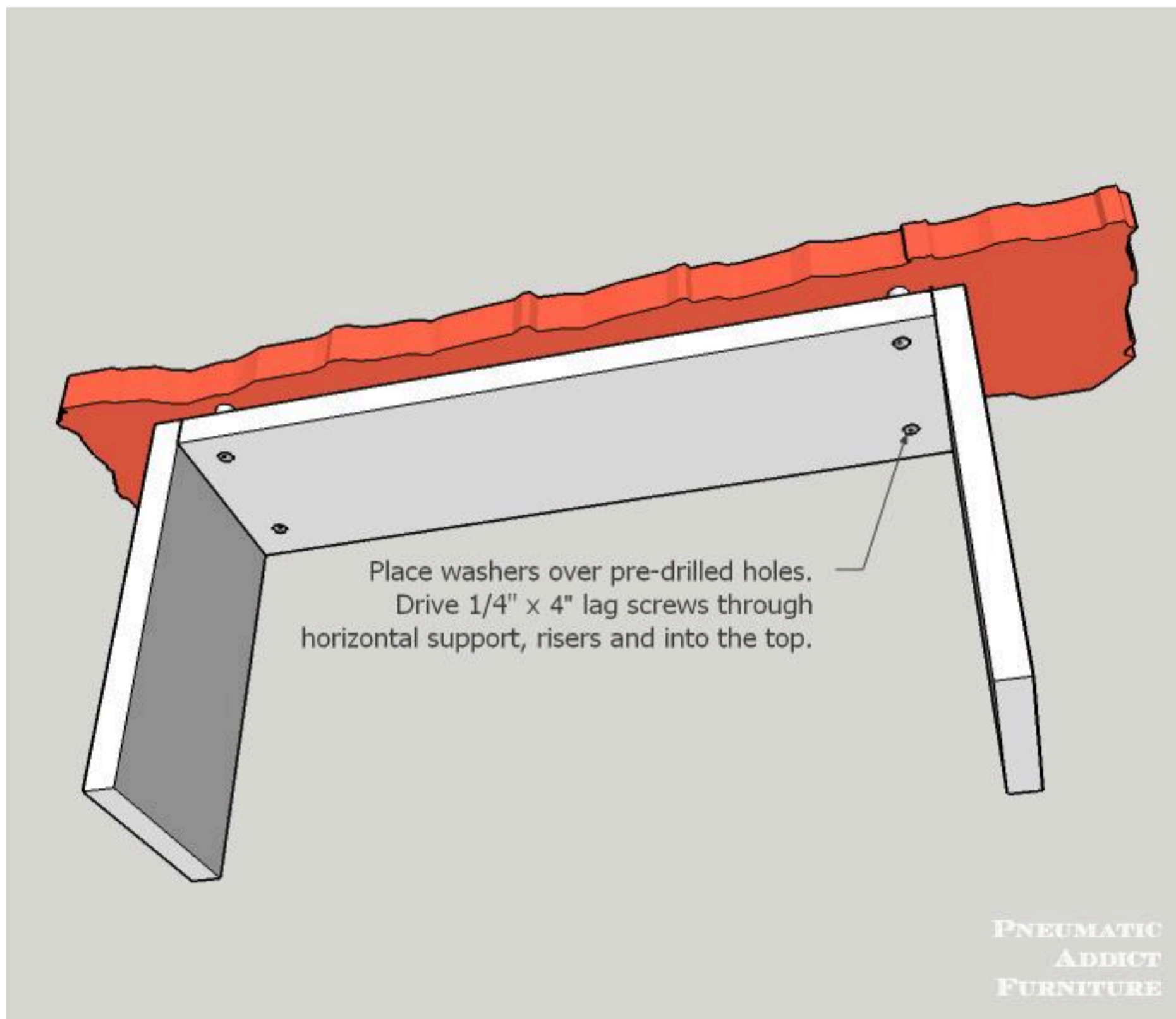
Insert 4"- 1/4" lag screw with washer through each hole on underside of console and through a wood dowel riser.



4

Attach Top

Cut a 1-1/2" x 14" x 72" floating top from desired material. Center the floating top on risers. Drive lag screws, securing the top to the base. Pre-drilling may be necessary to avoid splitting.



5

Finish

Sand entire piece and finish however you desire. Visit PneumaticAddict.com for finishing tips and ideas

