

Farmhouse Nightstand

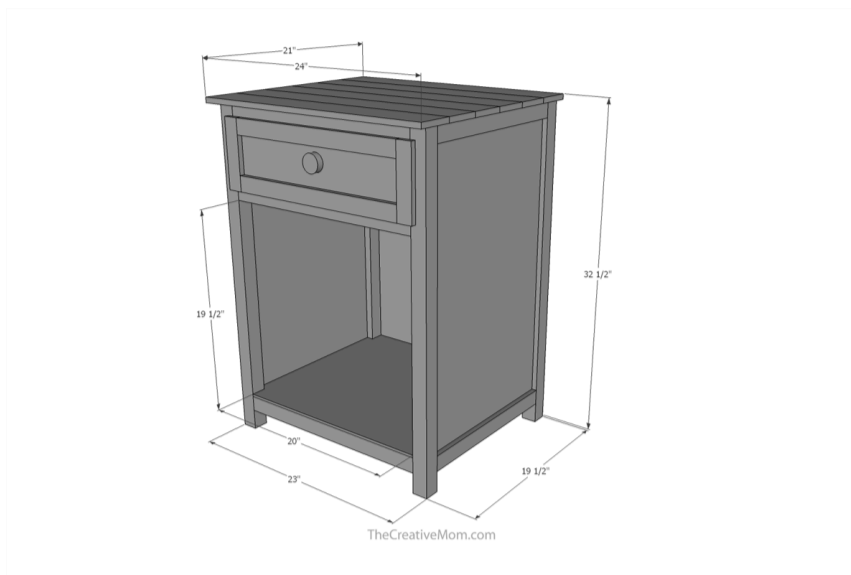
By **The Creative Mom**

Difficulty

Moderate

A farmhouse style nightstand. Designed to pair with a taller bed. The nightstand has a planked wood top and craftsman style base. There is one drawer and a bottom shelf with space for a basket or other items. This is an intermediate build, with easy to follow instructions.





Tools

Kreg Tools



[Portable Crosscut](#)



[Wood Project Clamp - 6"](#)



[Kreg@ Pocket-Hole Jig 720](#)



[Cabinet Hardware Jig](#)

Other Tools

Circular Saw (cordless)

Jigsaw

Miter Saw

Drill (cordless)

Impact Driver

Nail Gun

Sander

Materials

Wood Products

4 Board , 2x2 , 96"

2 Board , 1x2 , 96"

2 Board , 1x4 , 96"

1 Board , 1x6 , 72"

1 Plywood , 1/4" Thick , Full Sheet

Hardware & Supplies

1 Wood Glue

50 2 1/2" Pocket Hole Screws

50 1 1/4" Pocket Hole Screws

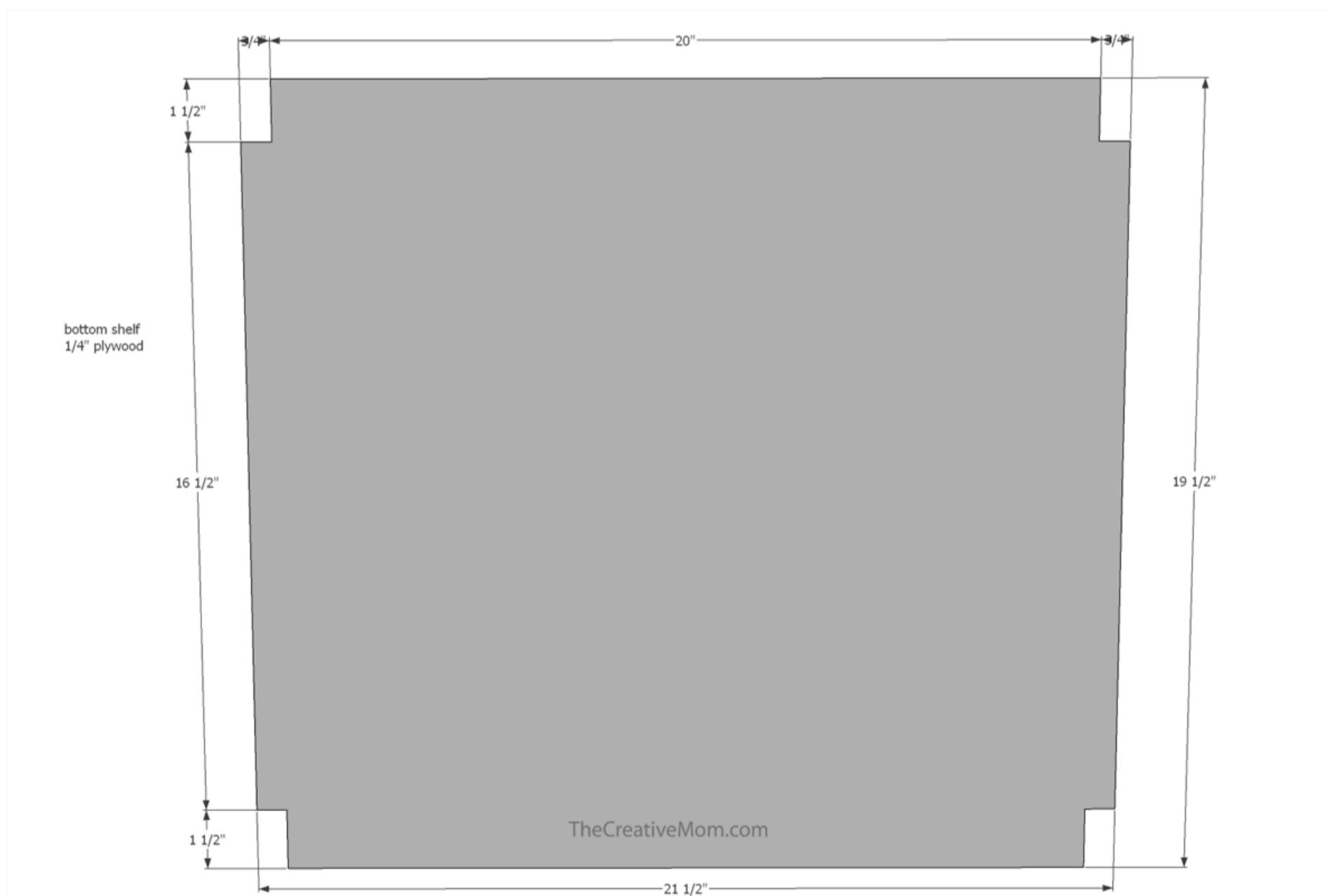
25 1" Brad Nails

4 L-shaped Brackets

1 Drawer Pull

Cut List & Parts

- 4 Corner Posts , 3/2" 2x2
- 4 Shelf And Drawer Supports , 16 1/2" 2x2
- 6 Vertical Supports , 20" 2x2
- 4 Vertical Supports , 16 1/2" 1x2
- 2 Drawer Trim , 18" 1x2
- 2 Drawer Trim , 6 1/2" 1x2
- 6 Table Top Planks , 24" 1x4
- 2 Drawer Sides , 15" 1x6
- 2 Drawer Front And Back , 19 3/4" 1x6
- 2 Side Panels , 16 1/2" X 30" Plywood
- 1 Backing , 21 3/4" X 28 1/2" Plywood
- 1 Bottom Shelf , 19 1/2" X 21 1/2" Plywood (With Notches- See Plans)
- 1 Drawer Bottom , 19 3/4" X 16 1/2" Plywood



Directions

1

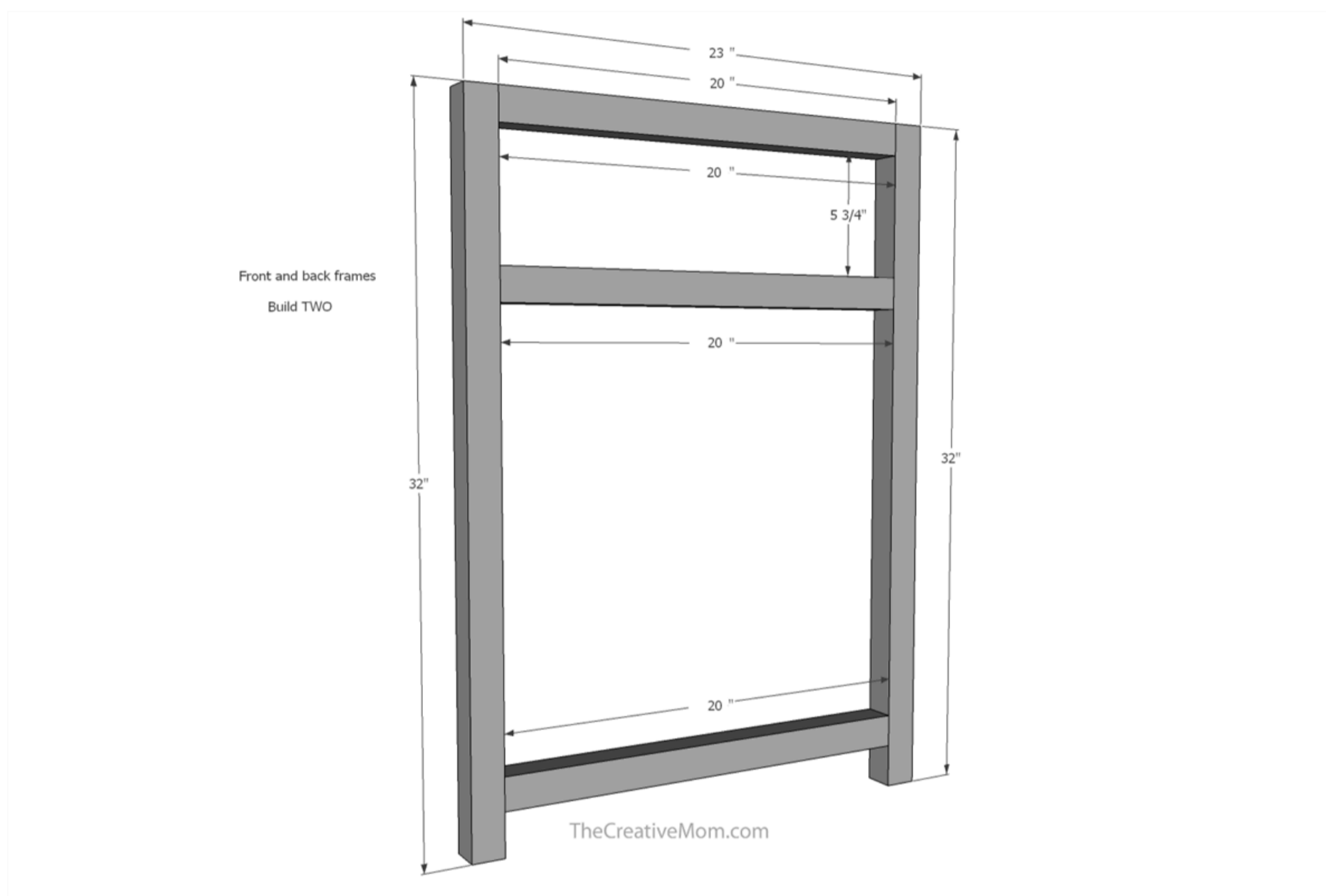
Build front & back frames

Cut 4- 32" 2x2's.

Cut 6- 20" 2x2's. Drill pocket holes in each end of all 20" 2x2's.

Use wood glue and 2 1/2" pocket hole screws to attach horizontal (20") 2x2's to vertical (32") 2x2 posts. You'll have one flush with the top of the corner post, one 5 3/4" below that, and one 2" from the bottom.

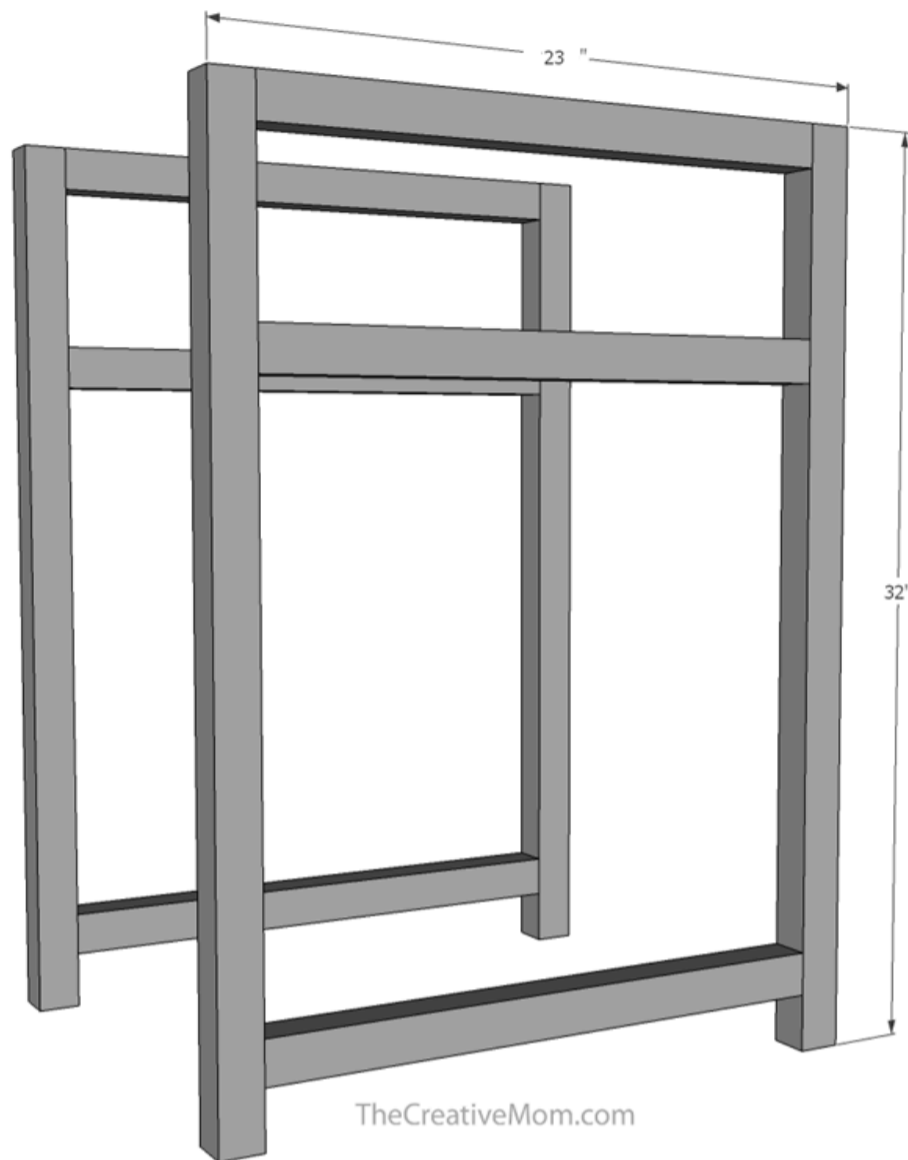
*Be sure to keep your project squared up as you build.



2

Front & Back Frames

Make sure you have 2 frames- one for the front of the nightstands and one for the back.



3

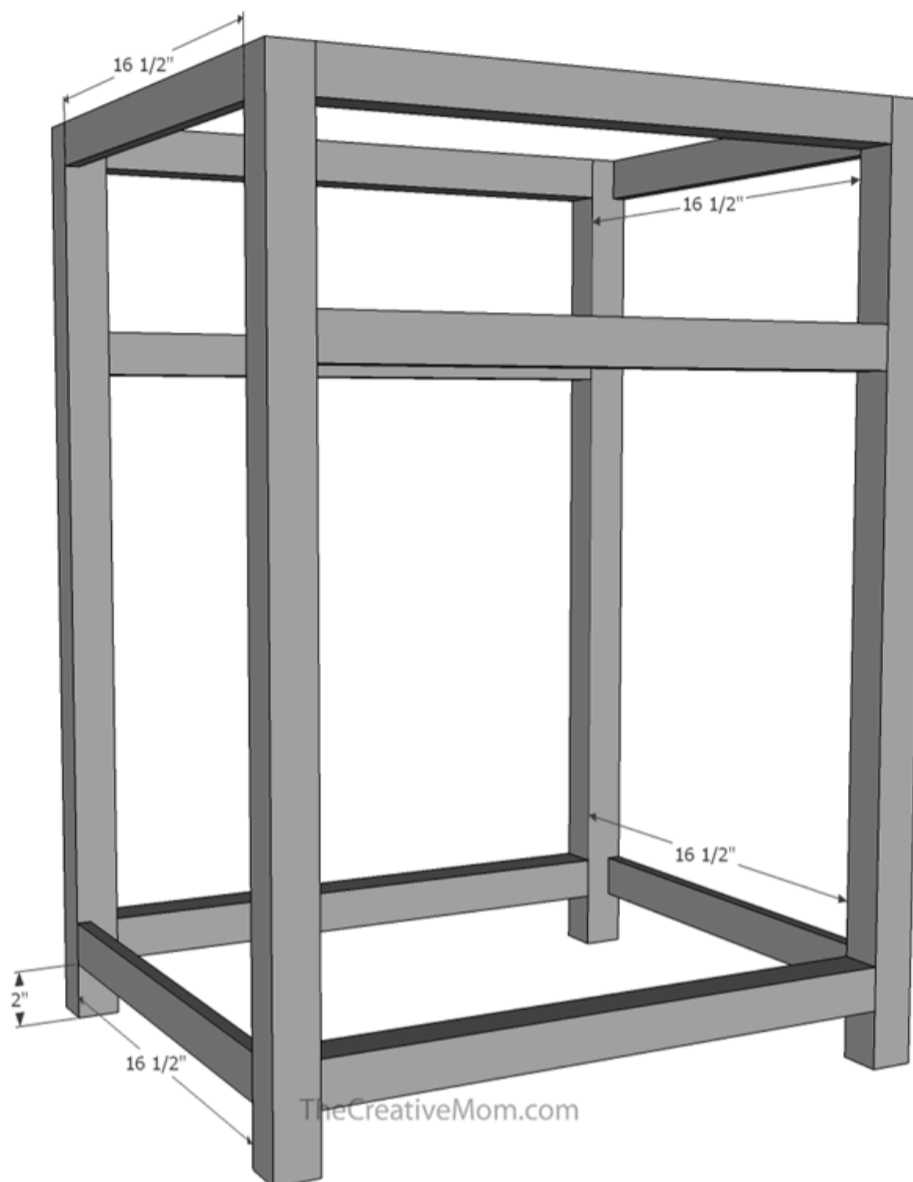
Add Side Supports

Cut 4- 16 1/2" 1x2's. Drill pocket holes in each end of all 4 boards.

Use wood glue and 1 1/4" pocket hole screws to attach horizontal 1x2's to vertical (32") 2x2 posts. You'll have one flush with the top of the corner post, one 5 3/4" below that, and one 2" from the bottom.

You'll do this on both sides of the frame to create a box.

**Be sure to keep your project squared up as you build.

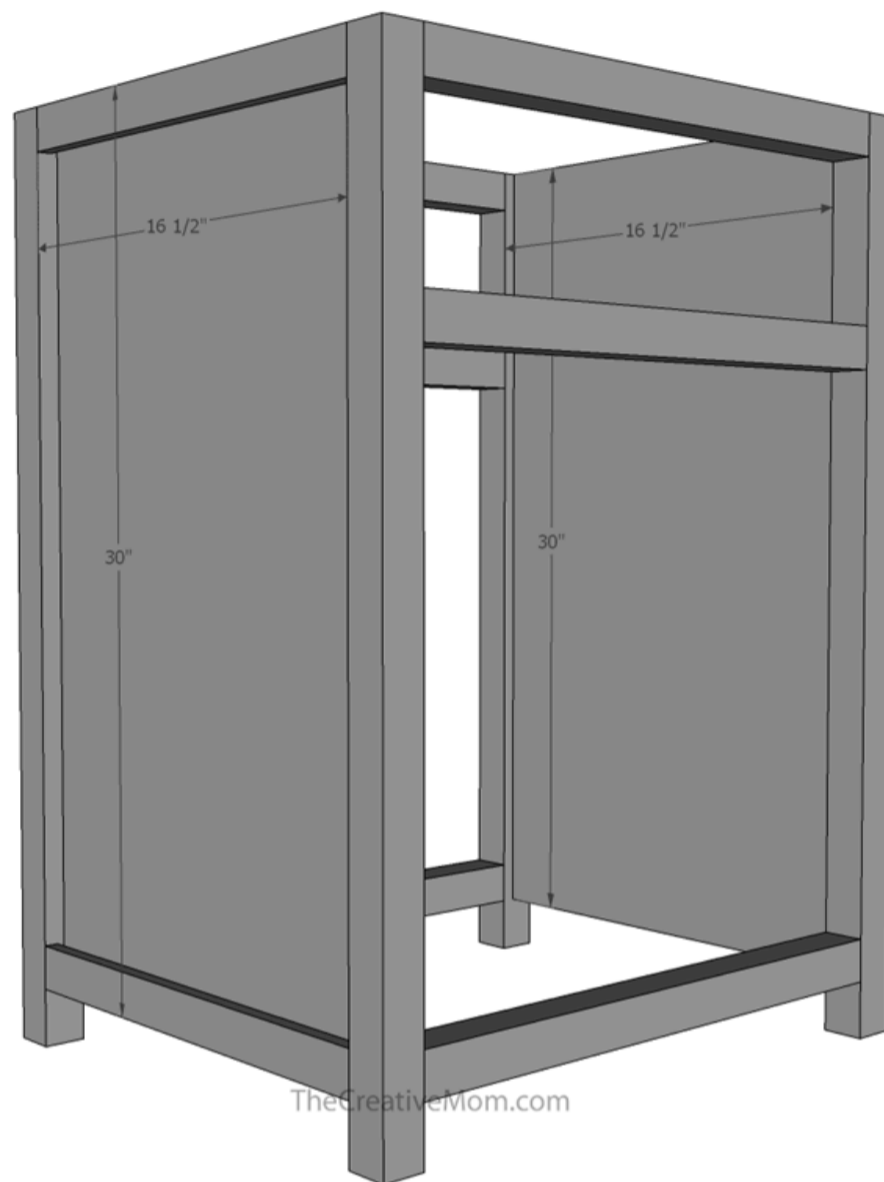


4**Add Plywood Sides**

Cut 2- 16 1/2" x 30" pieces of plywood.

Using wood glue and brad nails, nail the plywood onto the horizontal 16 1/2" 1x2's from the INSIDE of the nightstand.

This will help sturdy up the frame.



5

Add Drawer Slides and Shelf Support

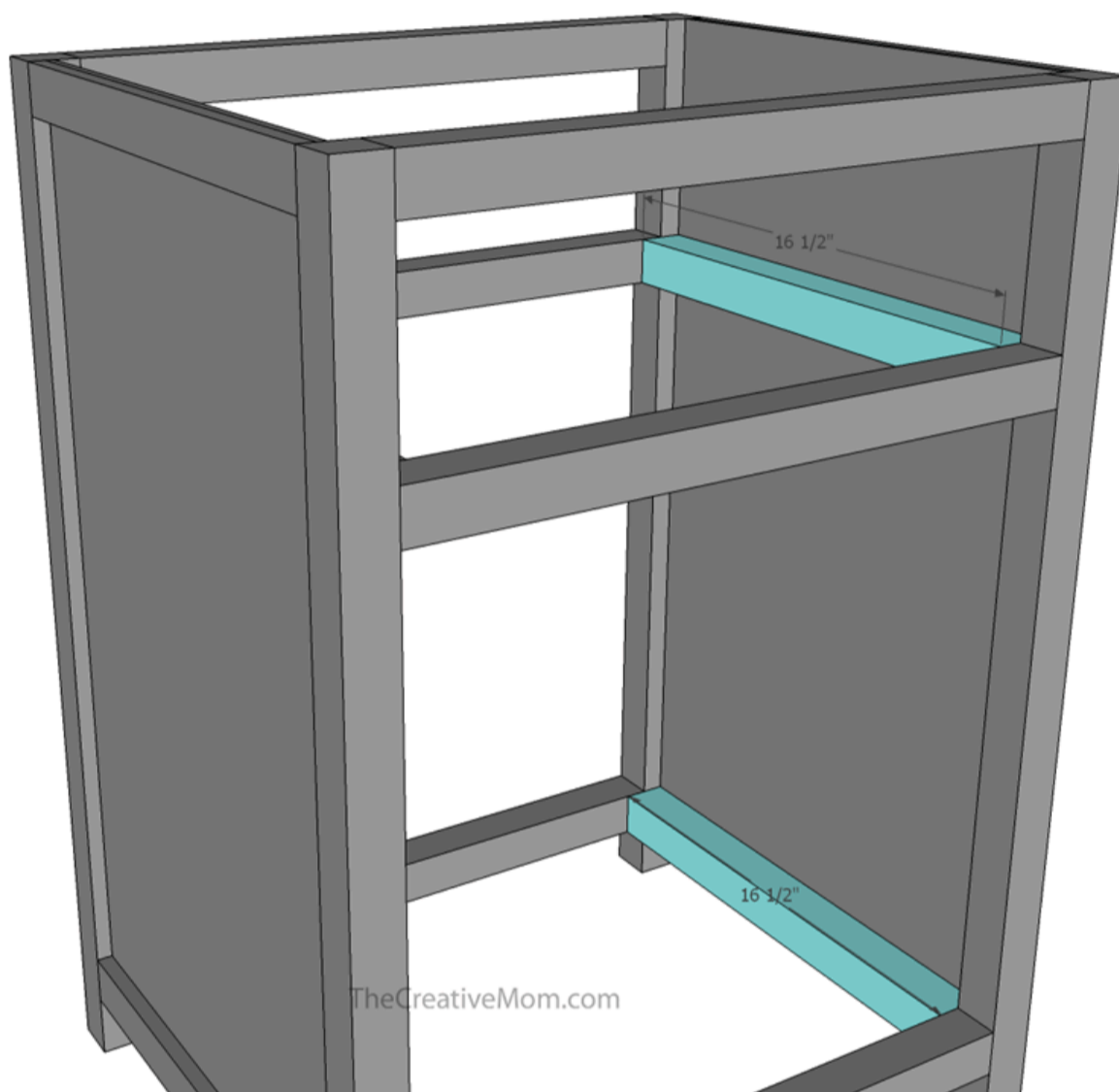
Cut 4- 16 1/2" 2x2's. Drill pocket holes in each end of all 4 boards.

Use wood glue and 2 1/2" pocket hole screws to attach horizontal boards to corner posts.

On each side of your nightstand, you'll attach one board flush with the middle 2x2 on the front frame, and one 2" from the bottom. These boards will be on the INSIDE of the side panels.

*Not only are these boards supports for the drawer and the shelf, but they also help stabilize the plywood on the sides of the nightstand.

Add 2- 16 1/2 2x2's.
These will be supports for the
drawer and the bottom shelf.



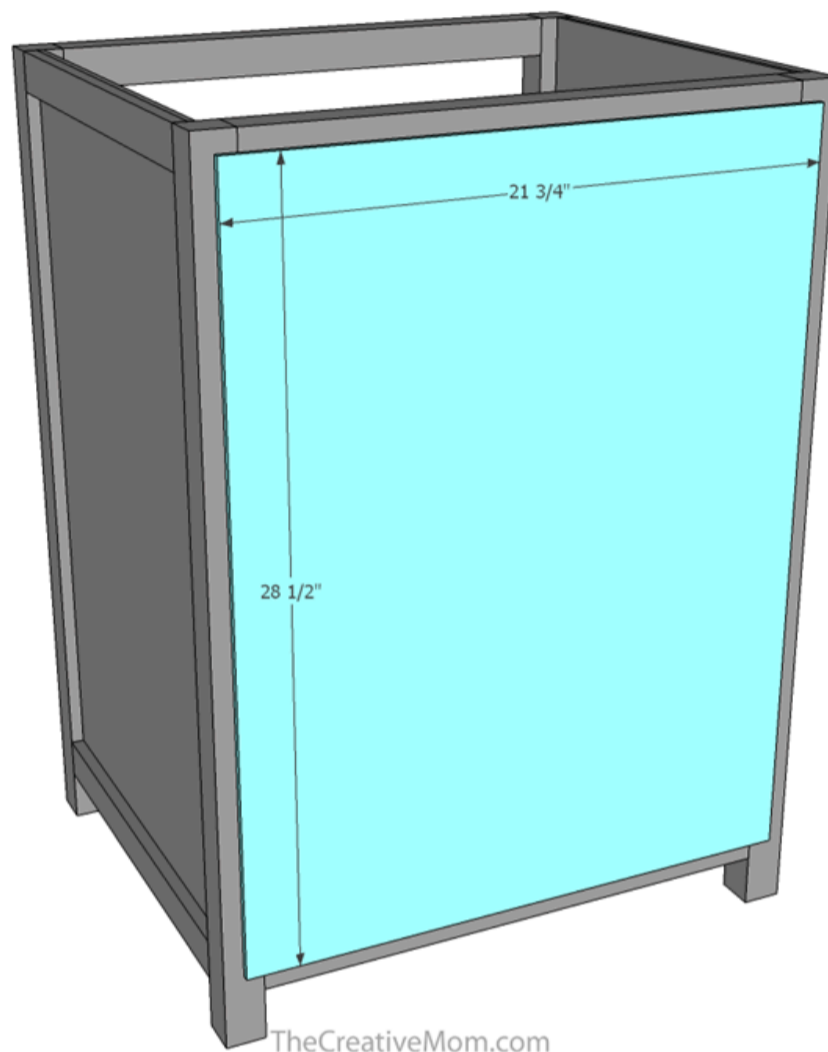
6**Attach Plywood Backing**

Cut 1- 21 3/4" x 28 1/2" piece of plywood.

Using wood glue and brad nails, attach to the back of the nightstand.

*This step is optional. It doesn't affect the integrity of the nightstand, it is for looks, and to keep the drawer from pushing too far back. The piece will function fine without it, though.

Add a 1/4" back panel if desired
optional

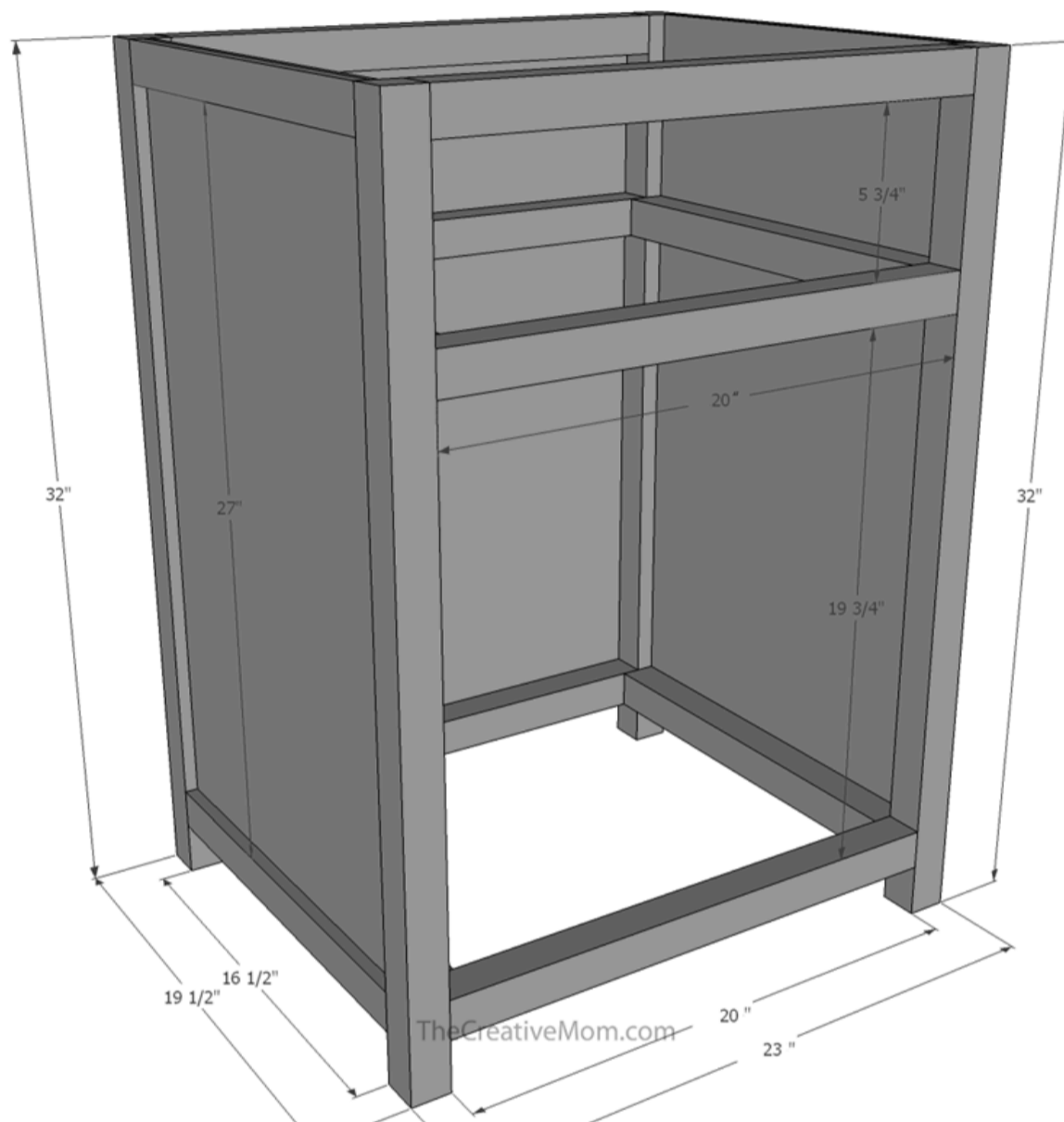


7**Complete Nightstand Base**

At this point, you should have a nice base for your nightstand. If you are planning to paint or stain the top a different color from the bottom, paint your base now. (Make sure to fill holes, sand, and prep before painting or staining.)

You can also add your bottom shelf in now (shown in the next step), before you paint or stain, if you want it all to be the same color.

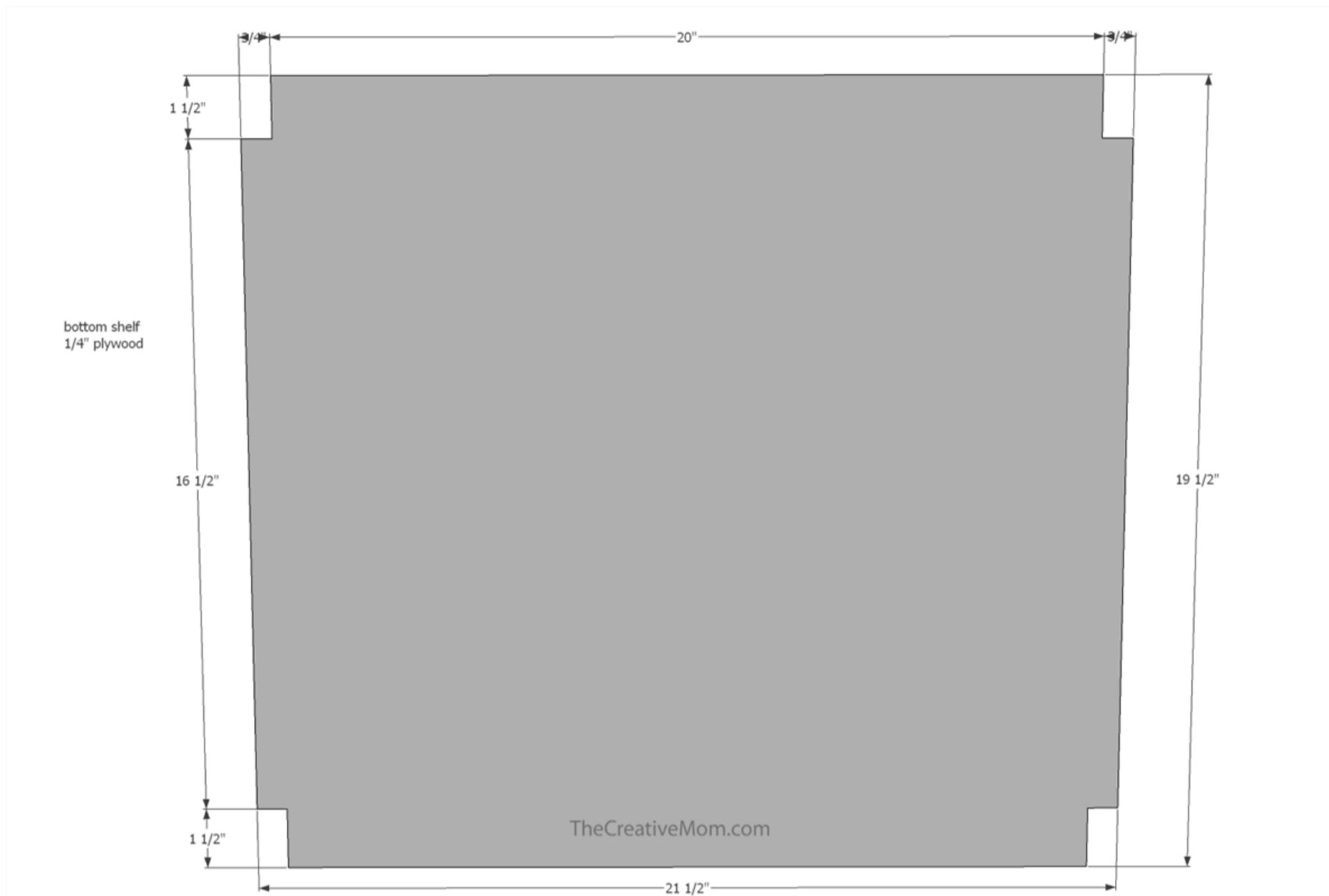
You may also want to build the drawer box and paint it at the same time (shown in step 10).



8**Add Bottom Shelf**

Cut a piece of plywood 21 1/2" x 19 1/2" (Make sure to check the measurements of your piece first).

Use a jigsaw to cut notches out of the corners. See plans for detailed cuts.



9**Build Table Top**

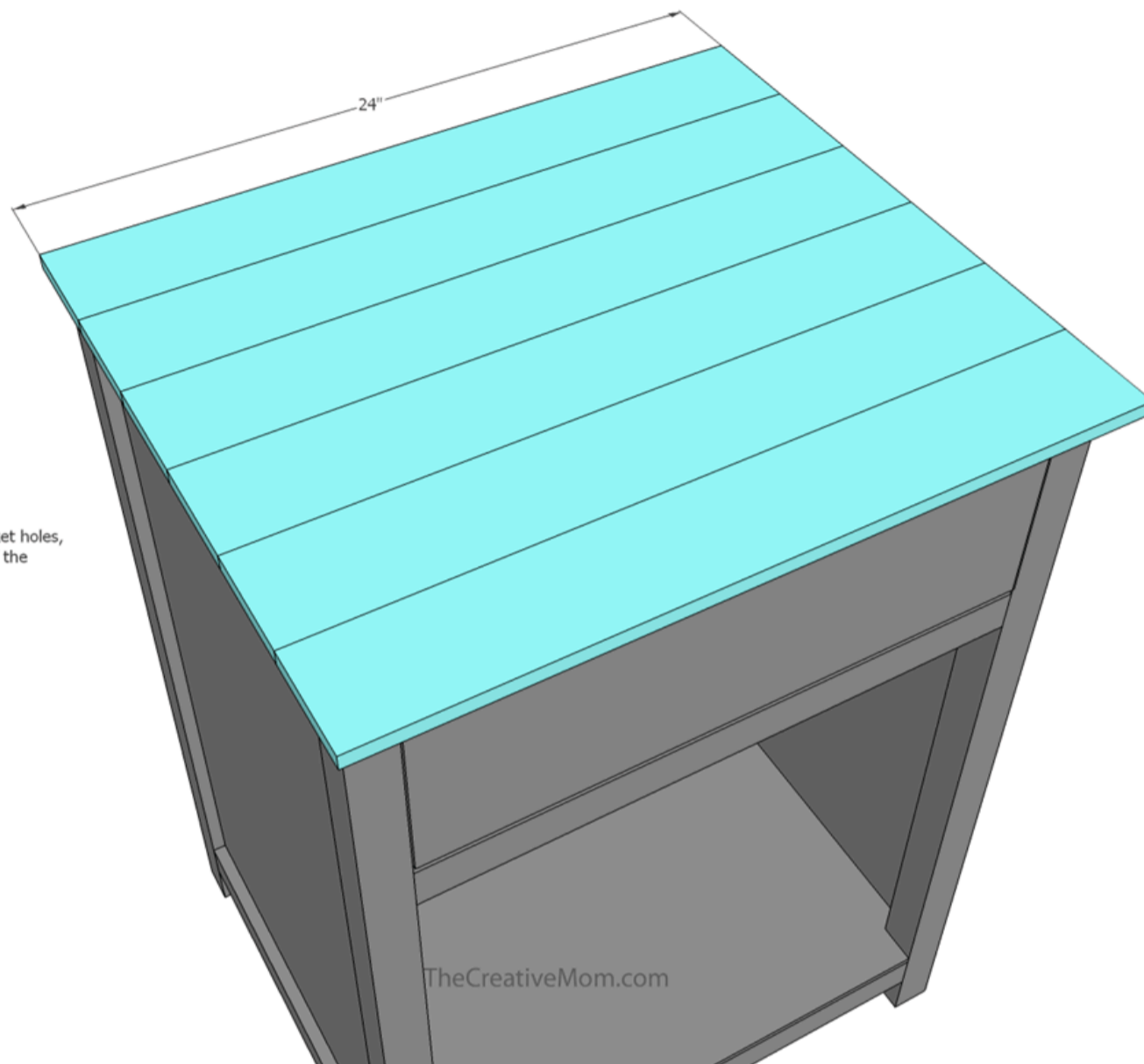
Cut 6- 24" 1x4's. Drill 3 or 4 pocket holes down the length of the boards (on the underside only).

Sand boards, then paint or stain as desired.

Using 1 1/4" pocket hole screws, attach boards together to create a table top. Be sure to keep boards level and square.

Use L-shaped brackets to attach the table top to the nightstand base.

Using wood glue and pocket holes, join 6- 1x4's for the top of the nightstand.



10

Build Drawer

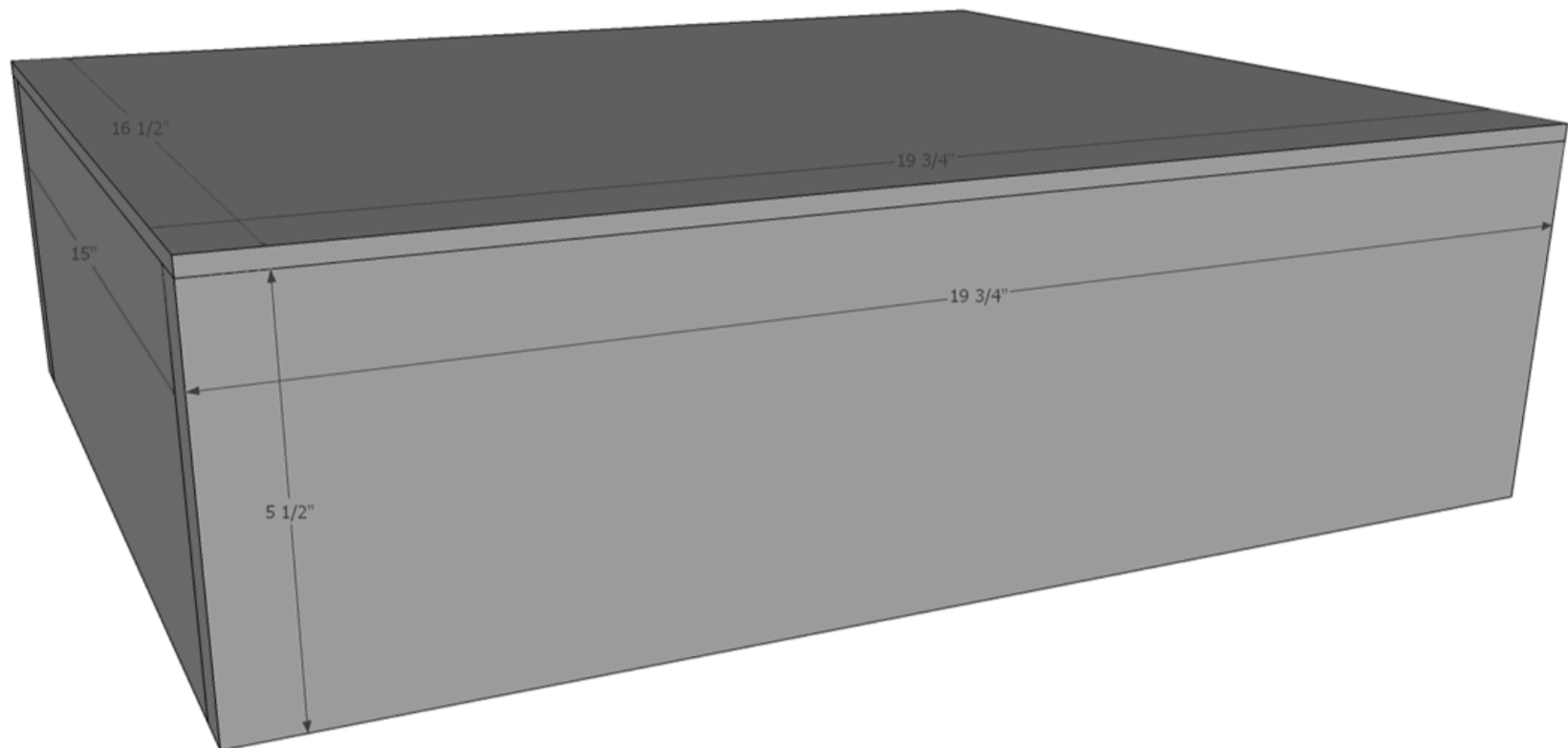
Cut 2- 19 3/4" 1x6 boards.

Cut 2- 15" 1x6 boards. Drill pocket holes in the ends of the 15" boards.

Using wood glue and 1 1/4" pocket hole screws, attach boards to create a box.

Cut a piece of plywood 16 1/2 x 19 3/4". This will be the bottom of your drawer. Use wood glue and brad nails to attach to the bottom of the drawer box.

Drawer shown upside down.



Attach drawer sides to front & back (1x6's) with wood glue and pocket hole screws.
Attach bottom plywood with wood glue and brad nails, staples, or screws.

TheCreativeMom.com

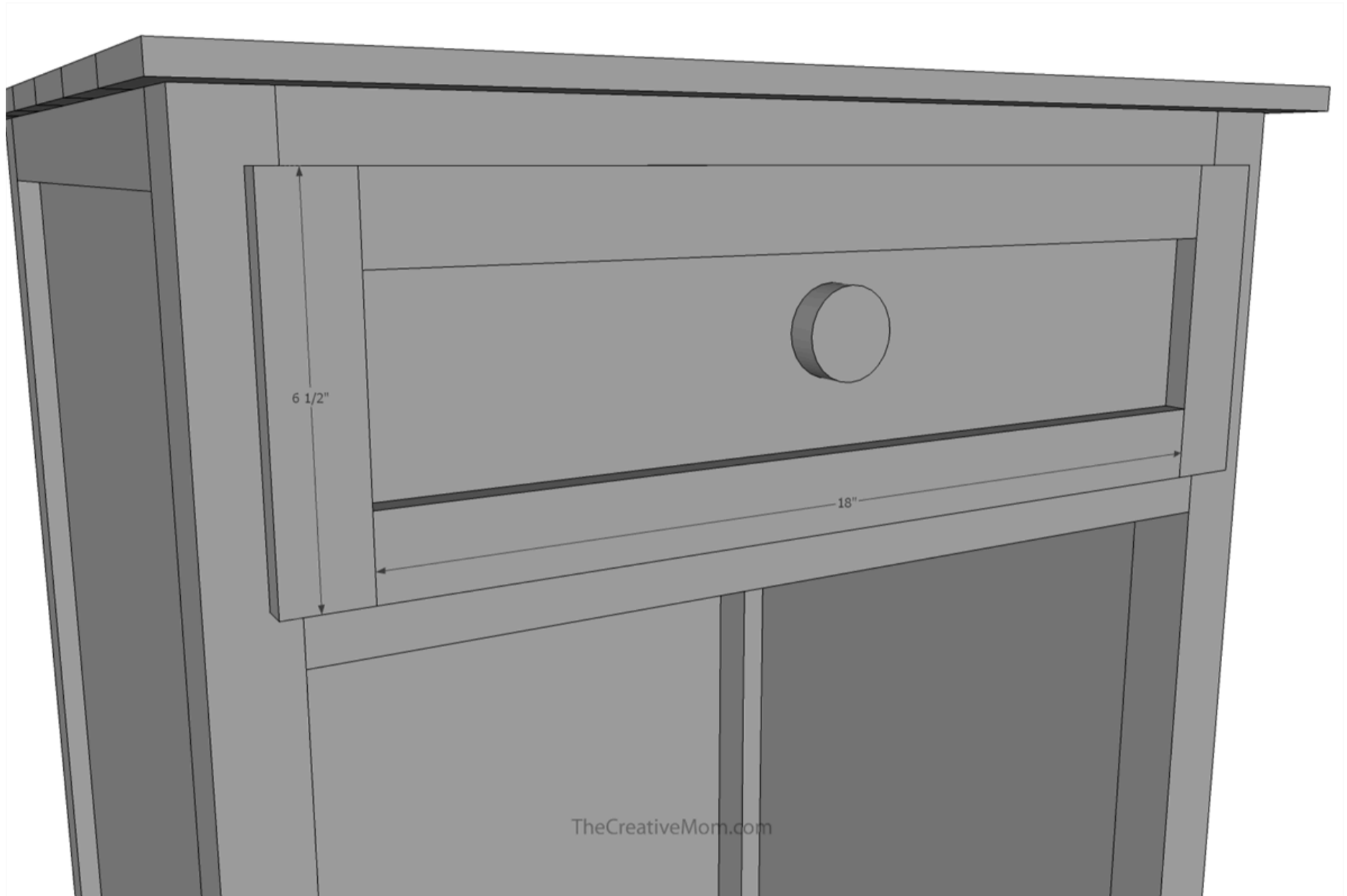
11**Trim Drawer Front**

You should have a 1/8" gap around the drawer to allow for smooth sliding. You may leave the drawer as is. Or, add trim. This is totally optional.

Cut 2- 18" 1x2's

Cut 2- 6 1/2" 1x2's

Use wood glue and brad nails to attach trim to the front of your drawer. Make sure to keep trim square with your nightstand base.



12**Finish**

Fill any holes, sand, and paint or stain your piece. Add drawer pulls using Kreg's drawer pull jig.

