

# Dog House with Porch

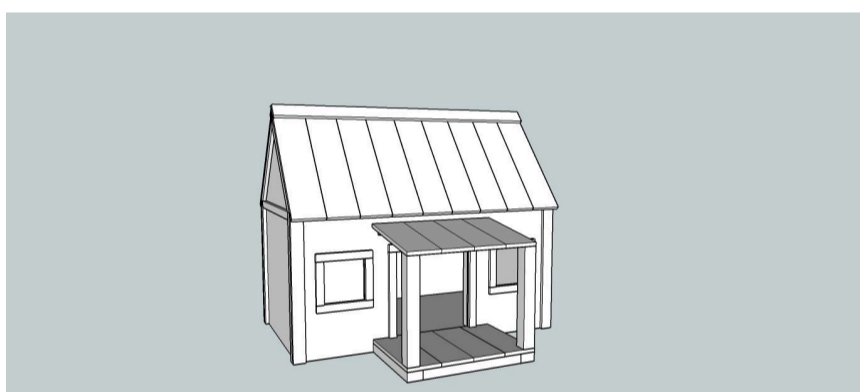
By **The Inspired Workshop**

Difficulty

Moderate

It won't be so bad to be "In the Doghouse" now!! This adorable dog house is sure to please dogs and owners alike!! Easily customize the exterior to match the exterior of your home, and Fido's home will no longer be an eye sore in your yard!!





# Tools

## Kreg Tools



## Other Tools

Circular Saw (cordless)

Jigsaw

Miter Saw

Tape Measure

Nail Gun

Sander

# Materials

## Wood Products

- 8 Board , 2x4 , 96"
- 11 Cedar Fence Picket , 1x6 , 72"
- 1 Plywood Siding , 3/8" , Full Sheet
- 1 Plywood , 1/2" Thick , Full Sheet
- 1 Dowel Rod , 2x2 , 48"

## Hardware & Supplies

- 1 2 1/2" Pocket Hole Screws
- 1 1 1/4" Screws

# Cut List & Parts

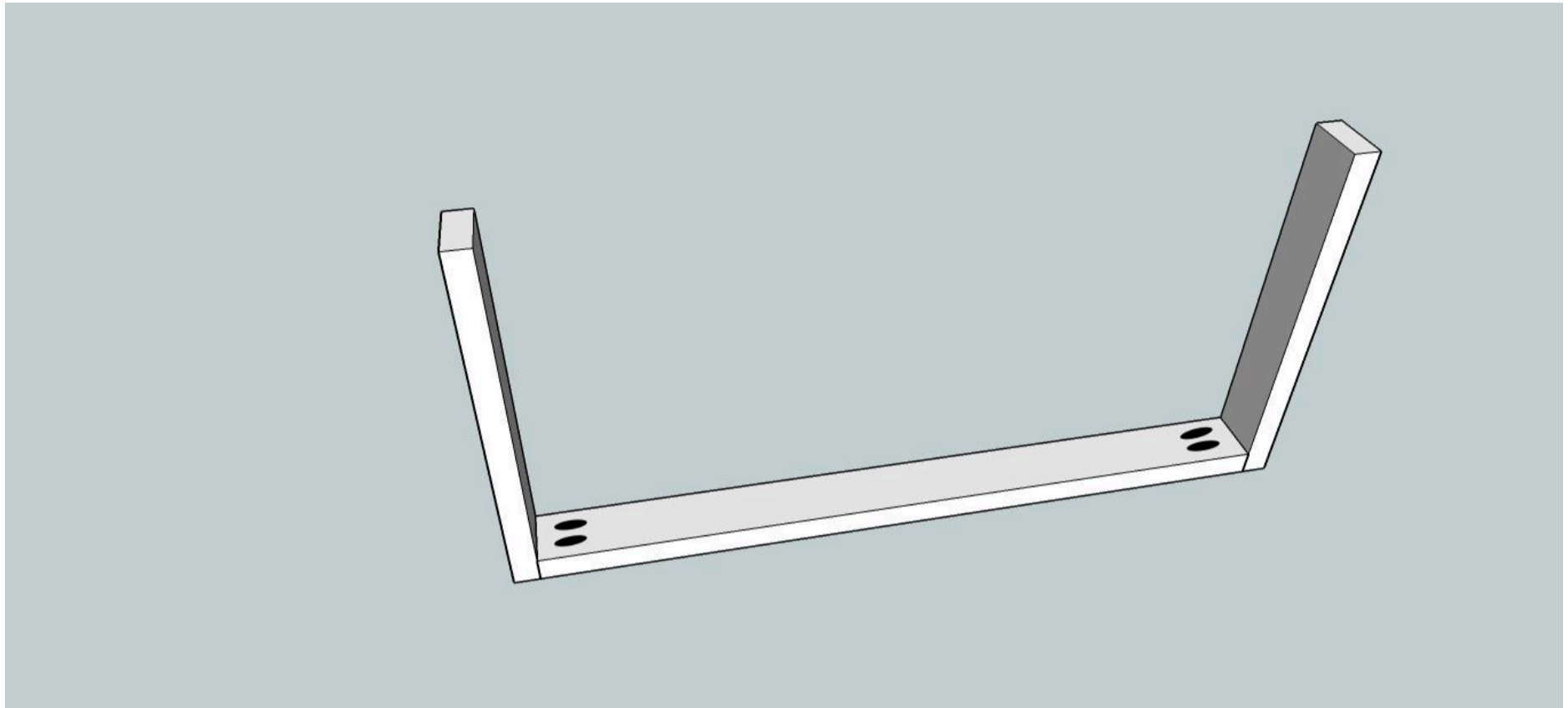
- 2 Bottom Rails , 1 1/2" X 2 1/2" X 44"
- 2 Top Rails , 1 1/2" X 2 1/2" X 47"
- 6 Side Rails And Support Rails , 1 1/2" X 2 1/2" X 18"
- 4 Legs , 1 1/2" X 2 1/2" X 22 1/2"
- 3 Support Stiles , 1 1/2" X 2 1/2" X 20 1/2"
- 1 Floor Plywood , 1/2" X 25" X 44"
- 6 Roof Rafters , 1 1/2" X 3 1/2" X 18 9/32" See Step For Bevel Instructions!
- 1 Roof Ridge Board , 1 1/2" X 1 1/2" X 47"
- 2 Roof Plywood , 1/2" X 16 5/8" X 47 3/4"
- 2 Side Siding , 3/8" X 24" X 25"
- 2 Front And Back Siding , 1/2" X 24" X 47 3/4"
- 18 Roof Boards , 5/8" X 5 1/2" X 22"
- 2 Porch Frame Sides , 1 1/2" X 3 1/2" X 15"
- 4 Porch Floor Boards , 5/8" X 5 1/2" X 15"
- 4 Porch Roof Boards , 5/8" X 5 1/2" X 15 3/16"
- 2 Gable Siding , 3/8" X 25" X 14 1/2" Roughly, Make Sure And Measure!
- 2 Porch Frame Front And Back , 1 1/2" X 3 1/2" X 15"
- 2 Door Framing , 5/8" X 1 1/2" X 14 5/8"
- 1 Door Framing , 5/8" X 1 1/2" X 16 1/2"
- 1 Proch Roof Brace , 5/8" X 1 1/2" X 20"
- 2 Porch Roof Runners , 5/8" X 1 1/2" X 20"
- 2 Porch Pillars , 2" X 2" X 16 13/16" At The Longest Side Of The Miter
- 4 Side Framing , 5/8" X 1 1/2" X 24"
- 2 Top Side Framing , 5/8" X 1 1/2" X 23 1/4"
- 4 Front And Back Framing , 5/8" X 2" X 23 3/4"
- 4 Side Roof Trim (Fascia) , 5/8" X 1 1/2" X Roughly 20 3/8" Longest Ends
- 2 Wooden Roof Flashing , 5/8" X 2 1/2" X 49 1/2"

# Directions

1

## Step 1

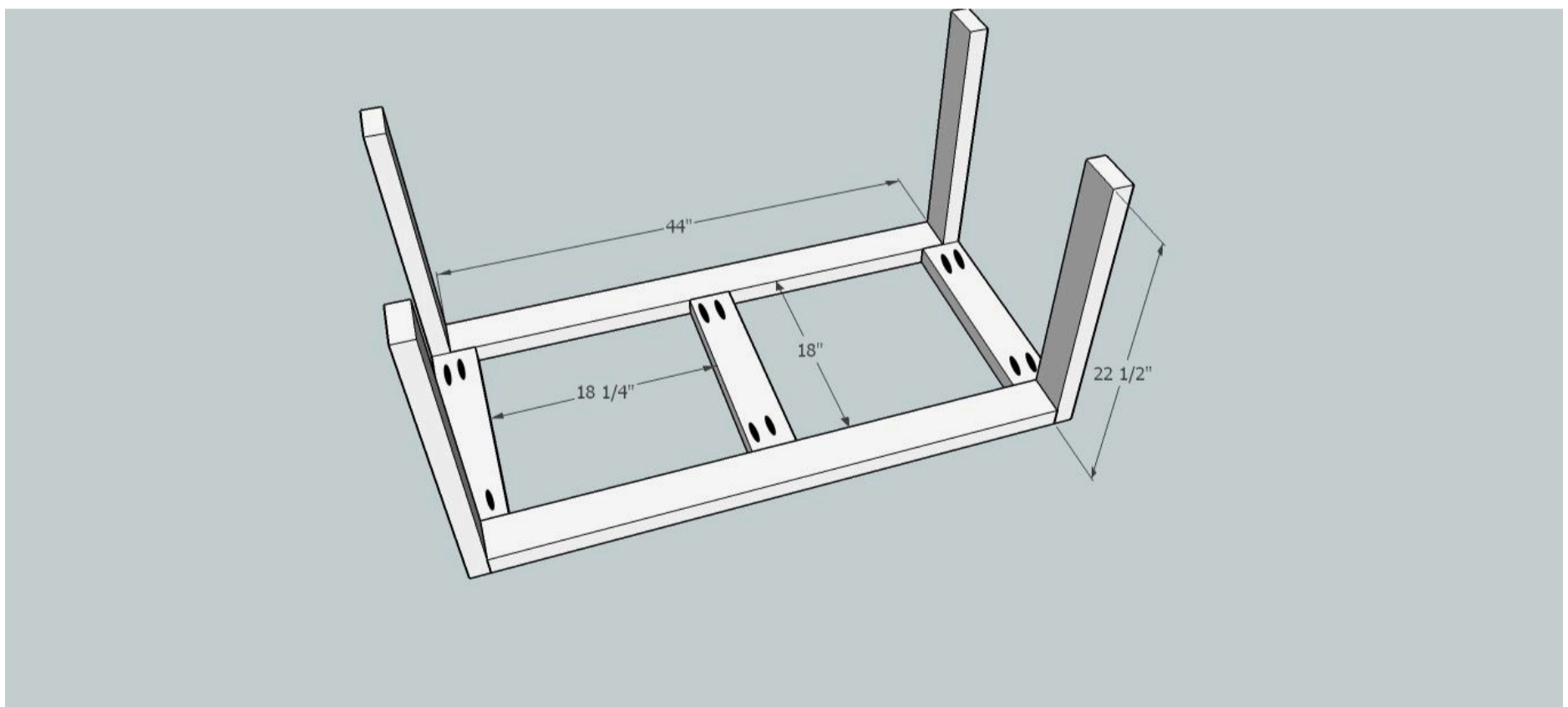
To get started attach the bottom rails to the legs! The black ovals represent the pocket hole location throughout the plan! This plan consists of all pocket holes drilled at 1 1/2", and you will use 2 1/2" blue kote pocket hole screws (they are made for outdoor use) and outdoor wood glue to attach!



2

## Step 2

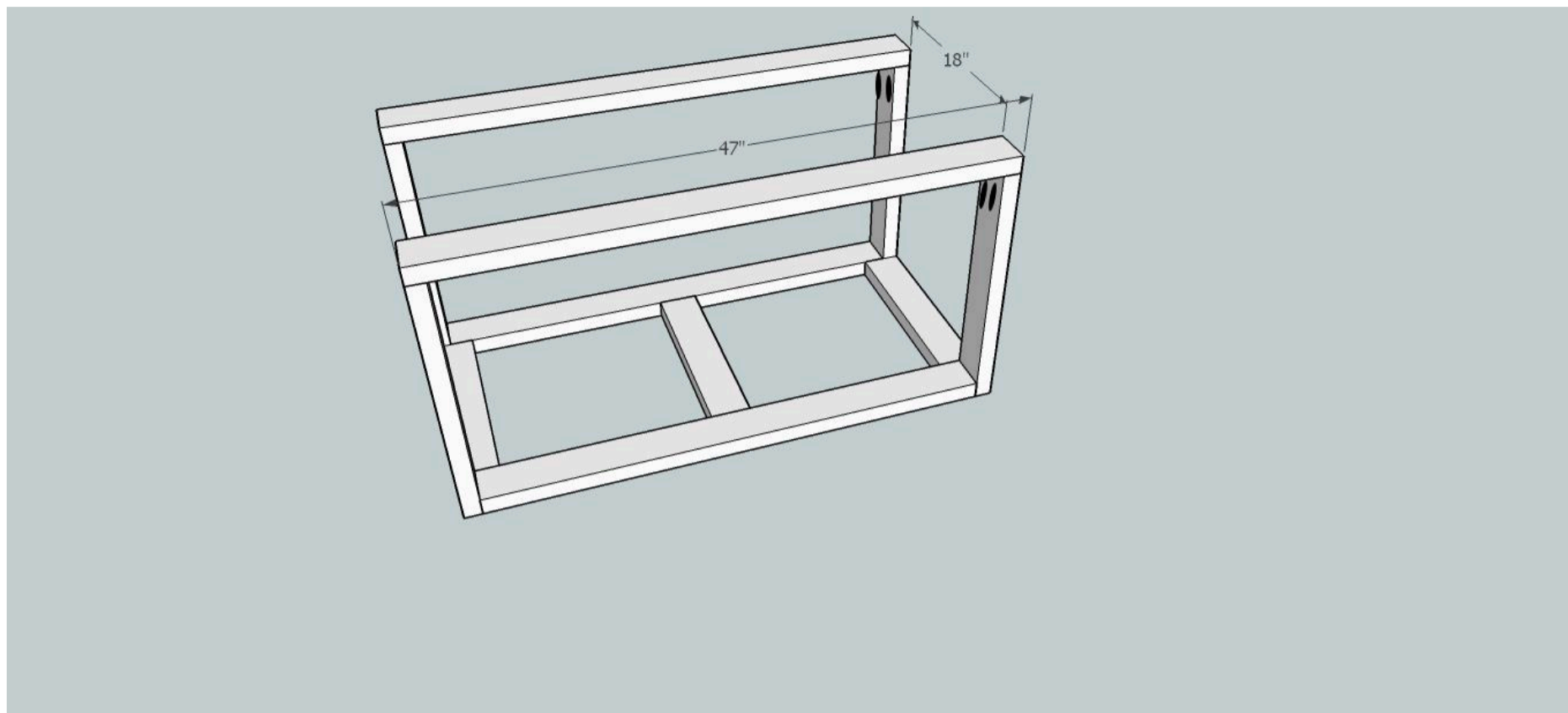
Next add two of your side rails and one of your support rails!



3

**Step 3**

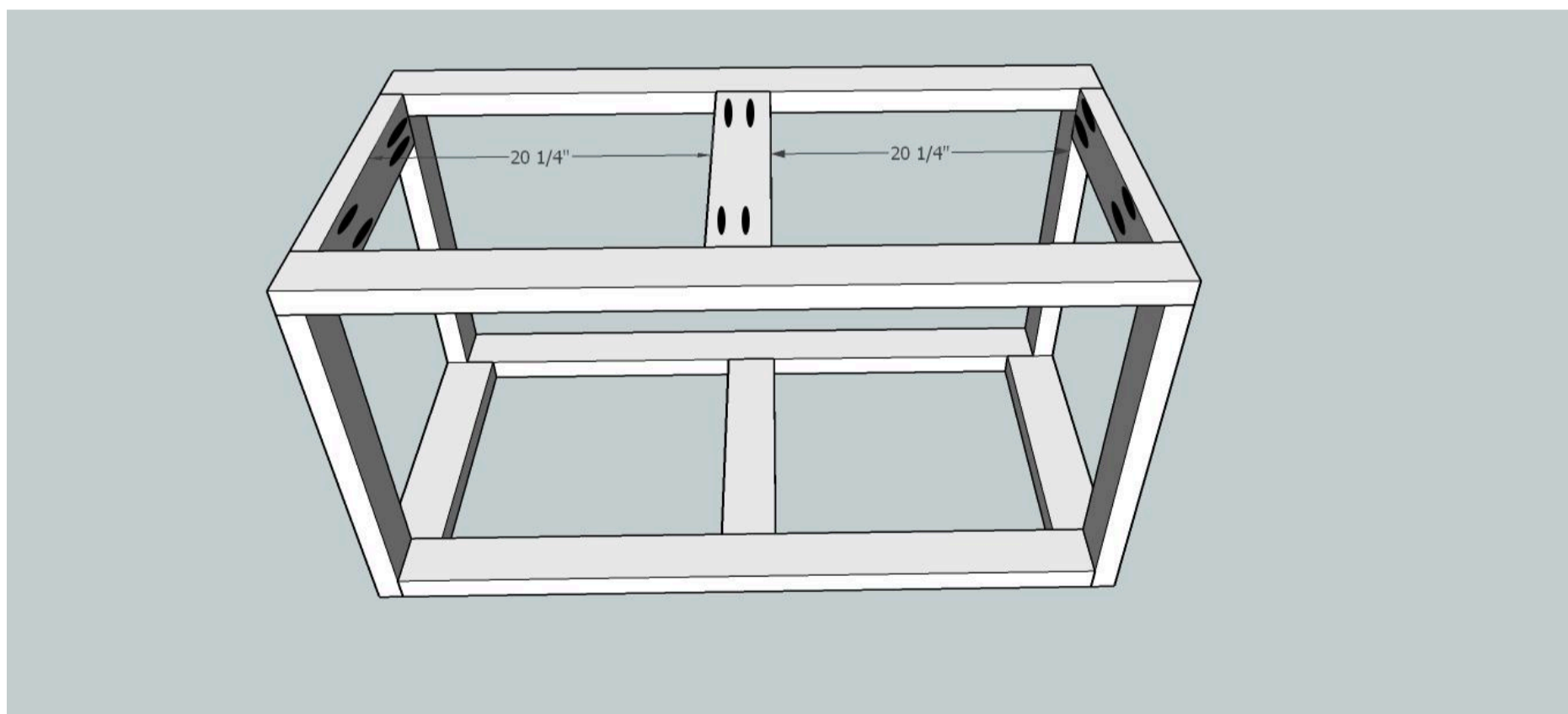
Add the top rails! The frame is already taking shape! Notice the pocket holes are drilled into the legs and going up into the top rails...you will want to drill the holes before Step 1!



4

**Step 4**

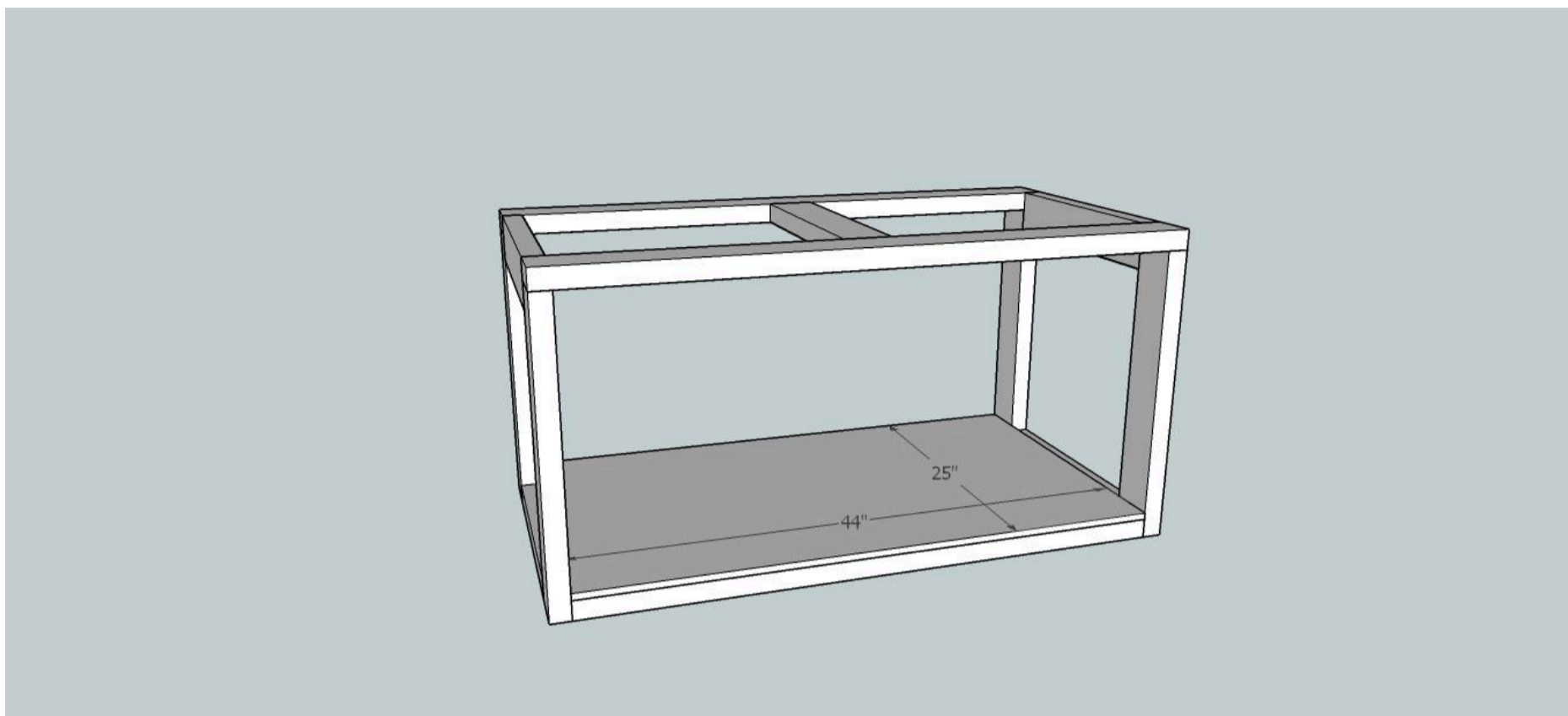
Add the rest of the side rails and support rails!



5

**Step 5**

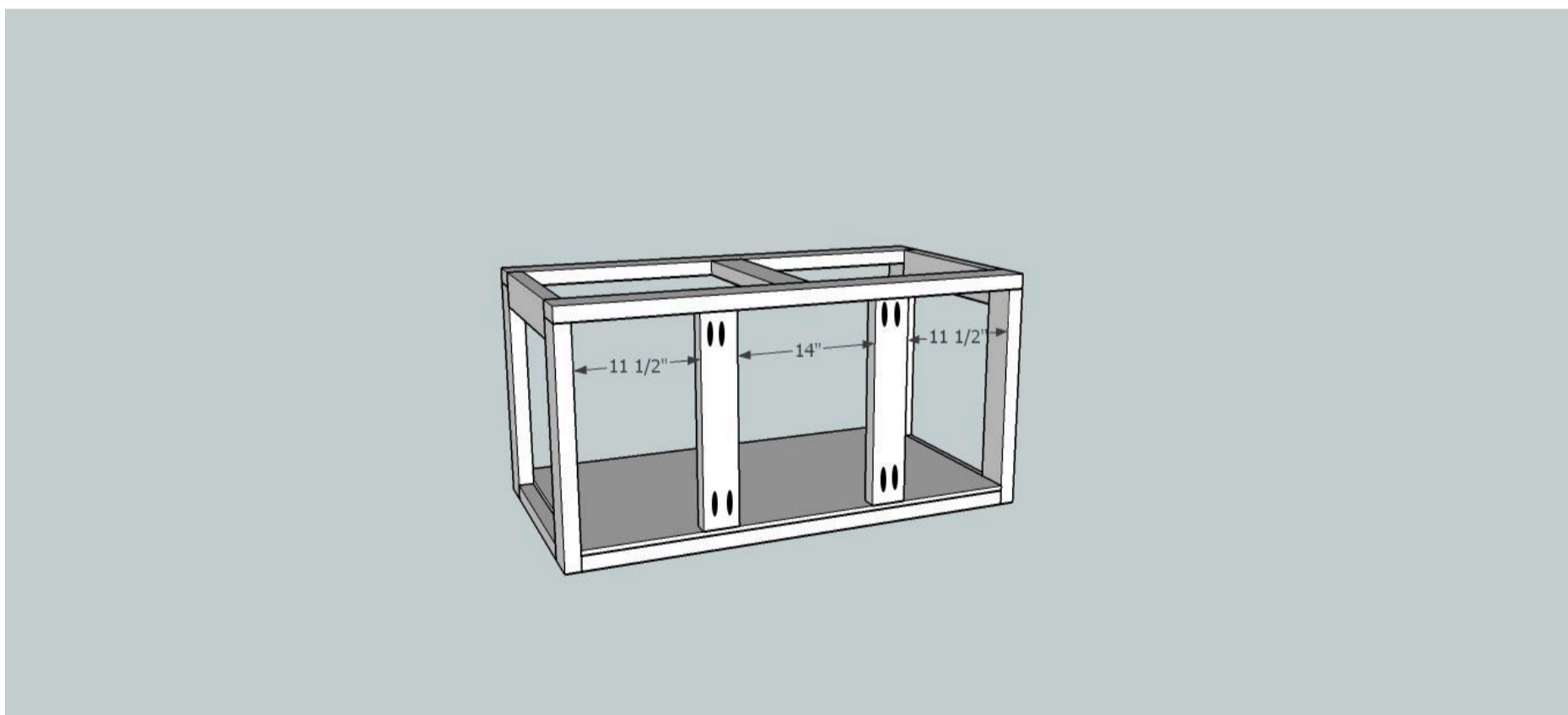
Before we close the dog house in too much, we need to go ahead and lay the floor plywood! Just use 1 1/4" screws to attach to the bottom 2x4s! Note: You may want to cut notches in your plywood so that it reaches the side walls, I didn't as I don't think my dogs will mind!! Lol!



6

**Step 6**

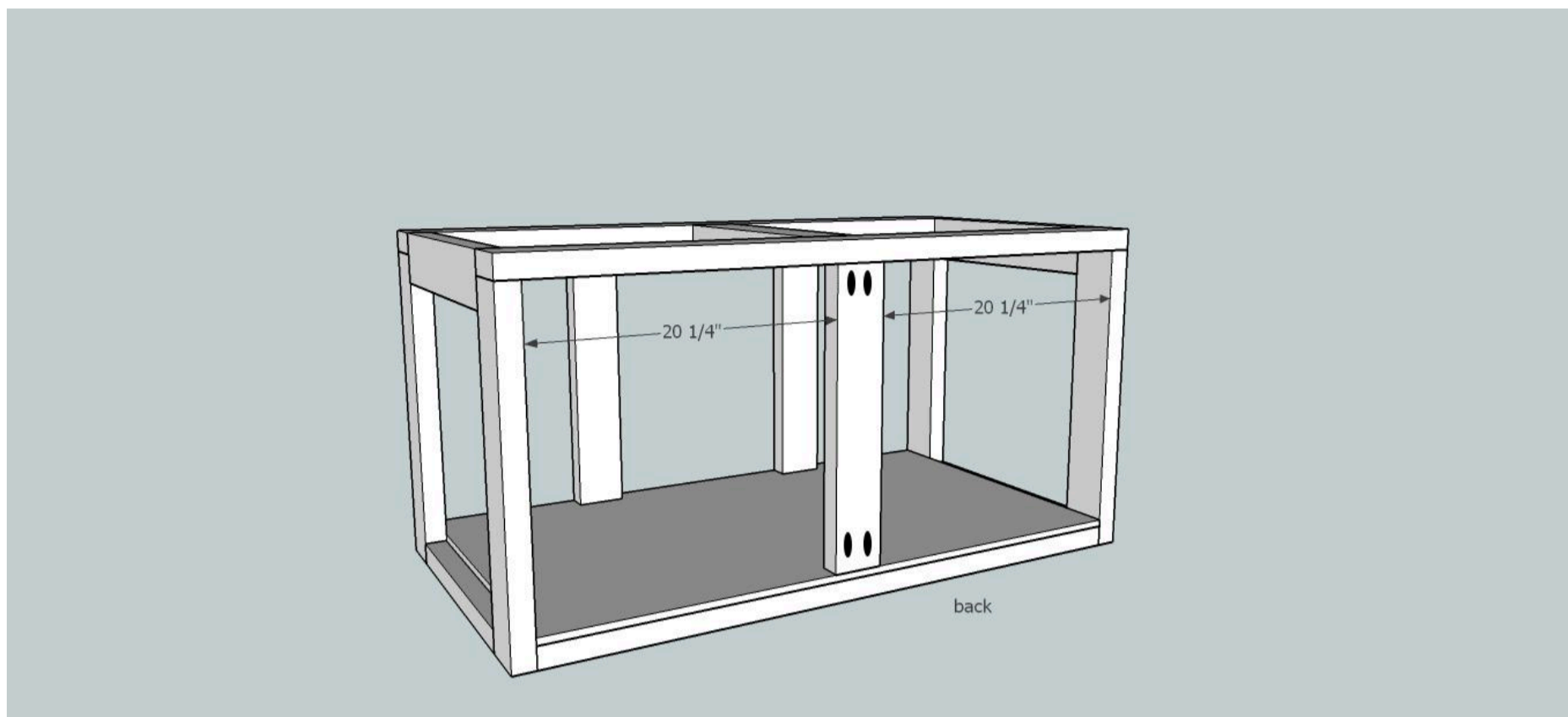
Next add the front two support stiles, we will add the back one in the next step, it was just hard to see so I separated them into two steps!



7

**Step 7**

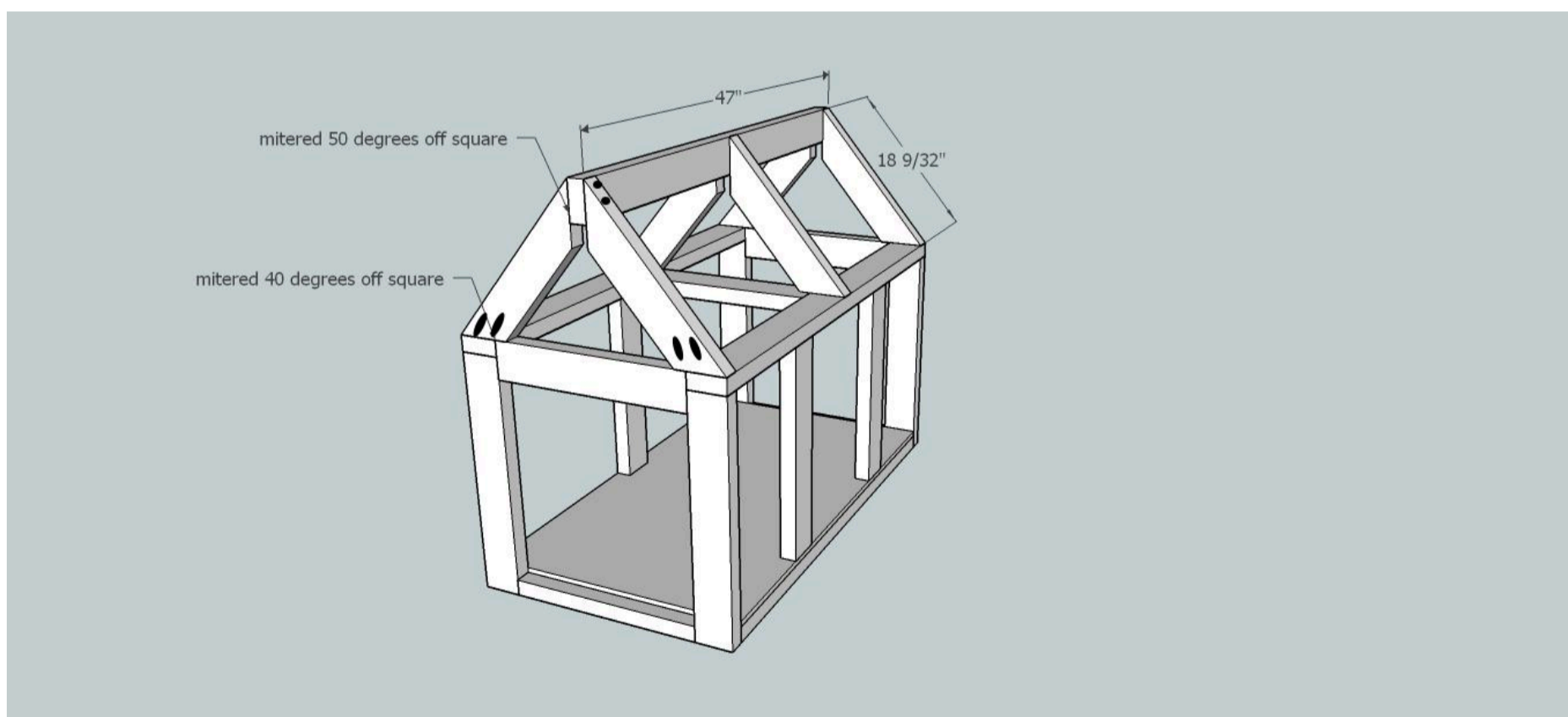
Add the back support stile!



8

**Step 8**

Next the roof rafters need attached to the roof ridge! The angles are shown in the picture. The 40 degree mitered end will be pocket holed to the frame, but the top being greater than 45 degrees can't be pocket holed! I just counter sunk 2 1/2" screws with a countersink drill bit, the black dots on the board represent the counter sunk screws! Just to note, I am not crazy about how tall the roof is, if you would like a slightly lower roof, you can cut all the angles at 45 degrees off square and I think it would look better! I originally drew up the plans with the angles at 45 degrees and as I started building I thought it was too short but now I wish I would have left it shorter! The length of the rafters will need to be adjusted though!

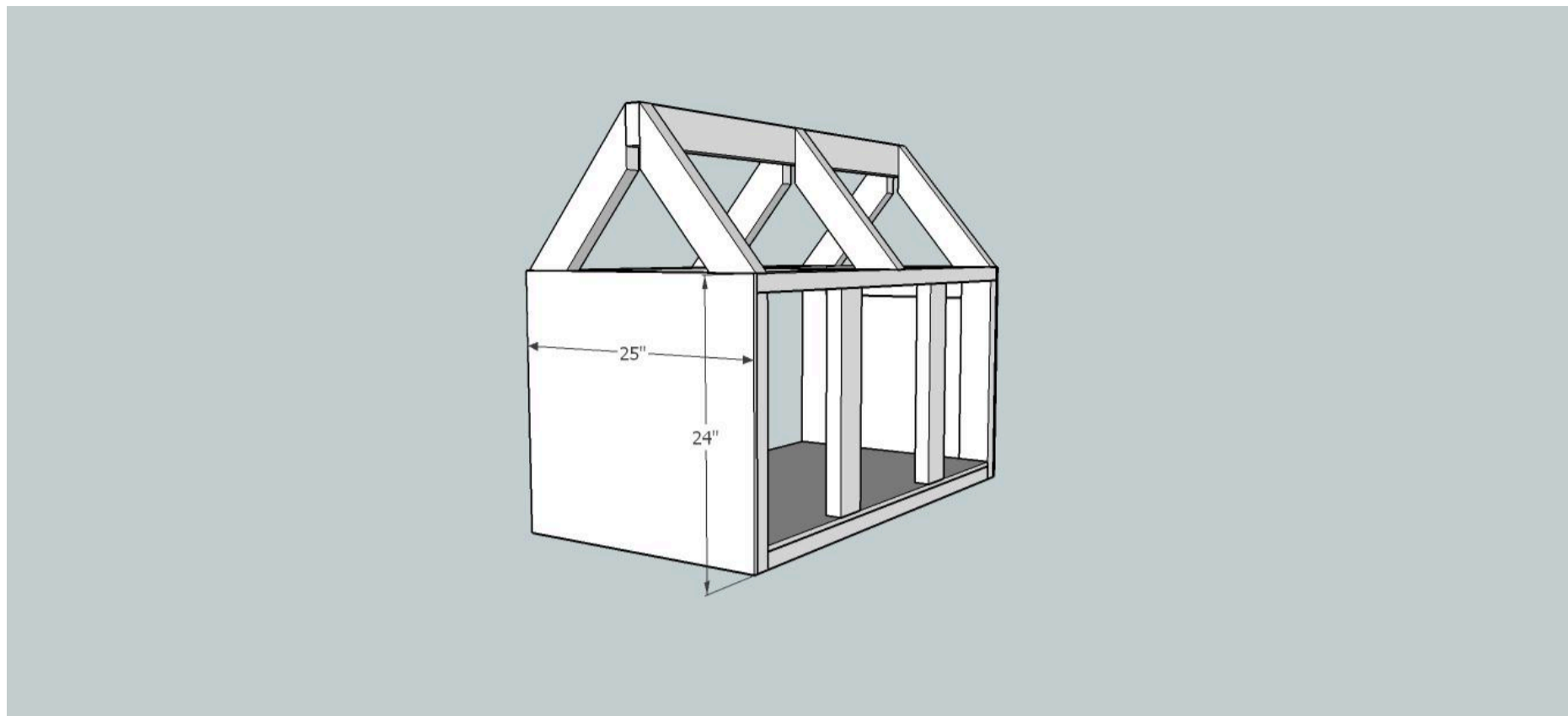




9

**Step 9**

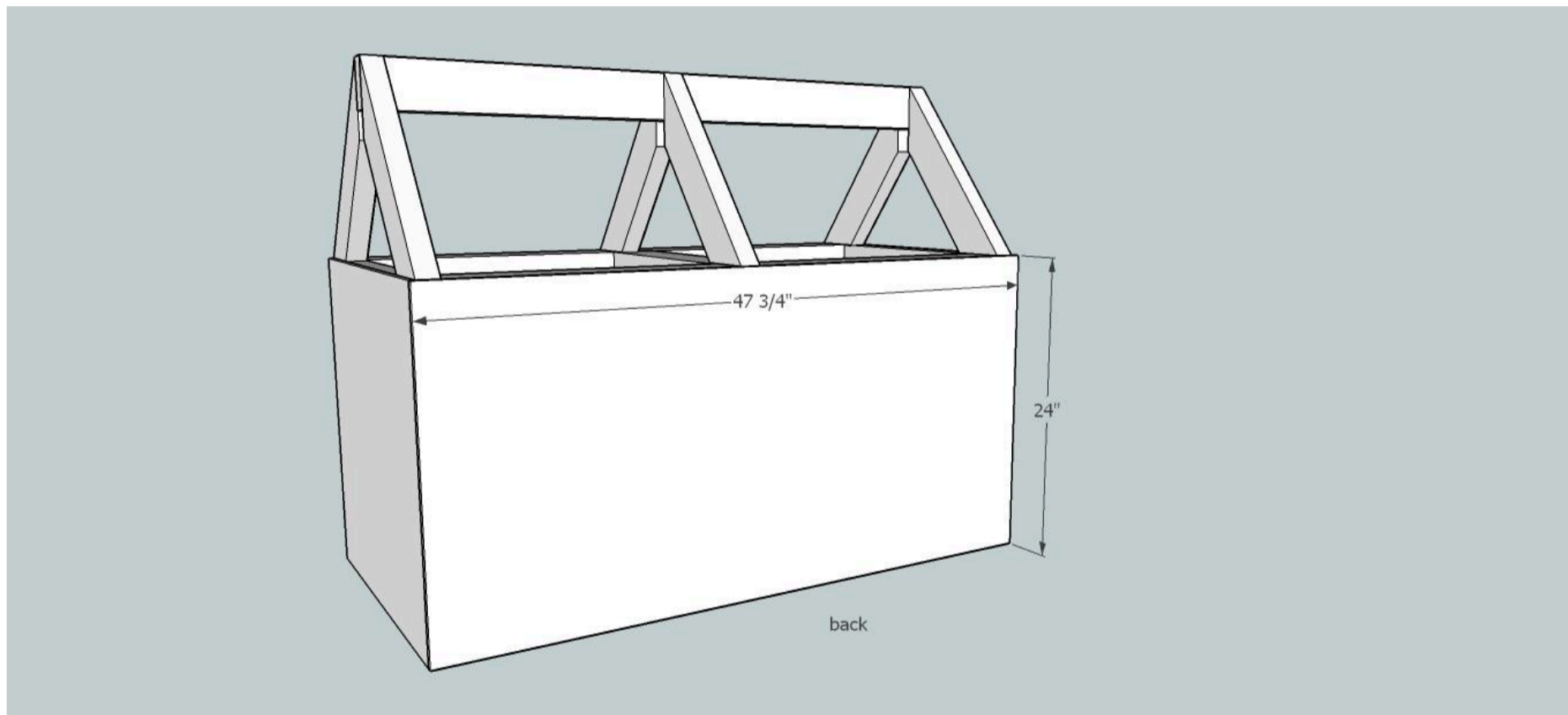
Next attach the side siding to the sides! I just used the same 1 1/4" screws to attach!



10

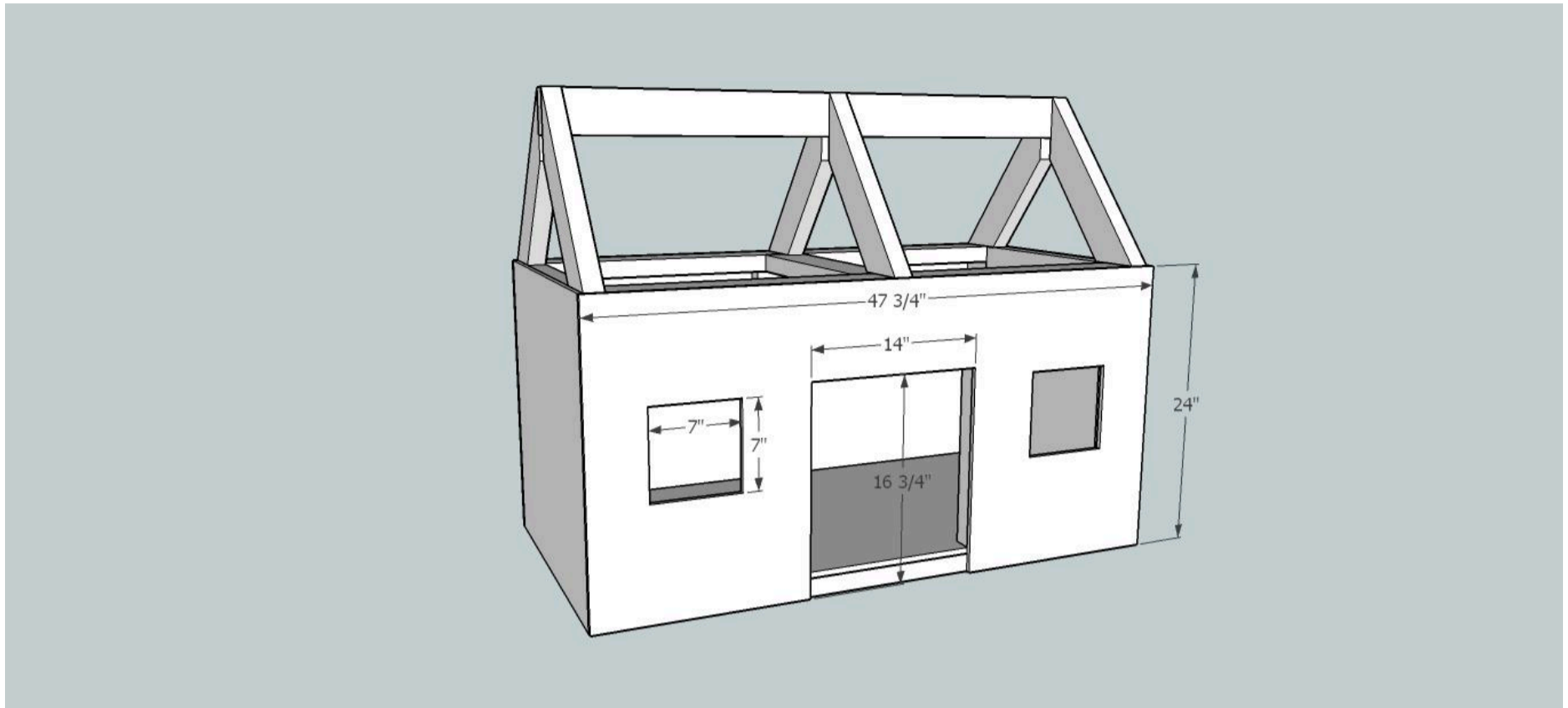
**Step 10**

Attach back siding the same way! Make sure and measure before cutting just to be sure!!

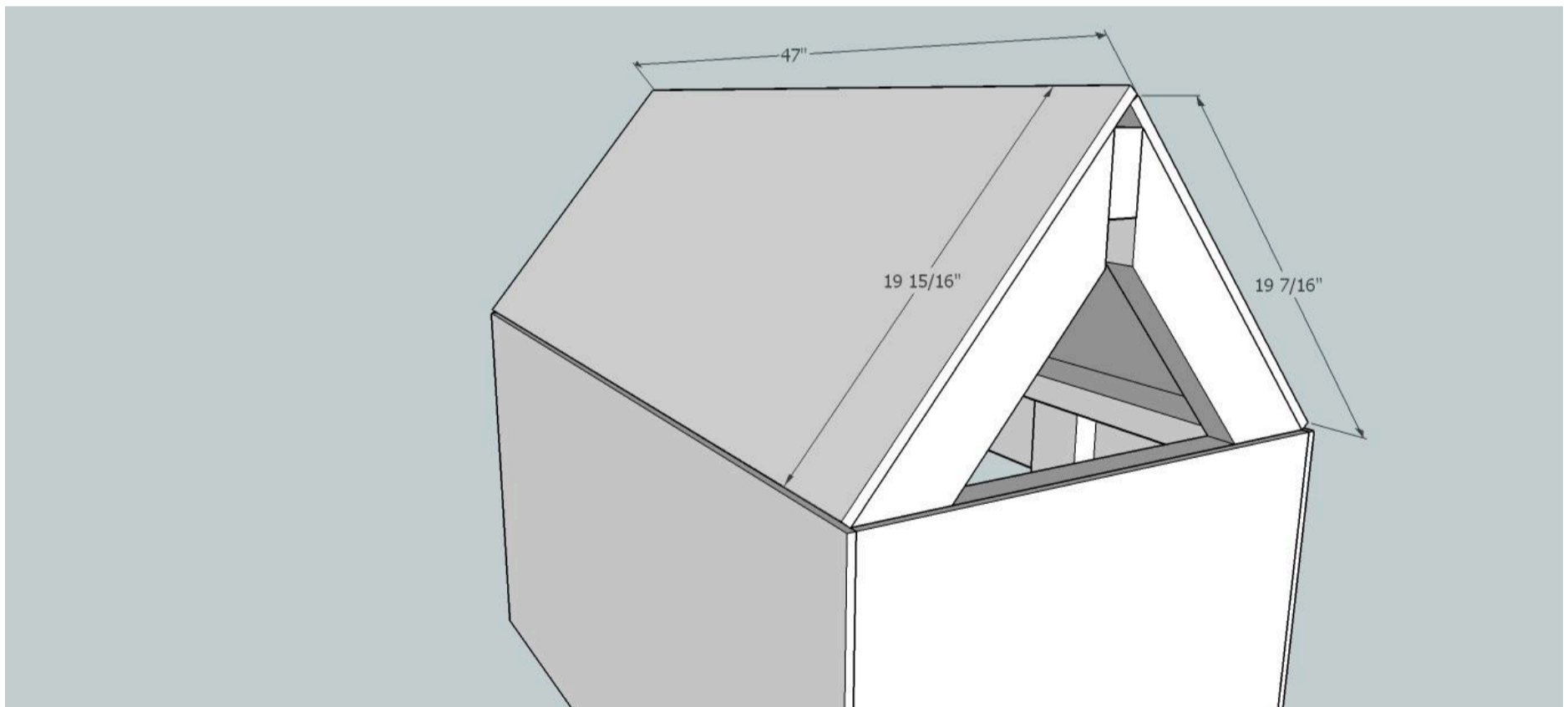


**11****Step 11**

Next step is to get the front siding attached, making sure to cut any windows or doors that you may want before attaching!

**12****Step 12**

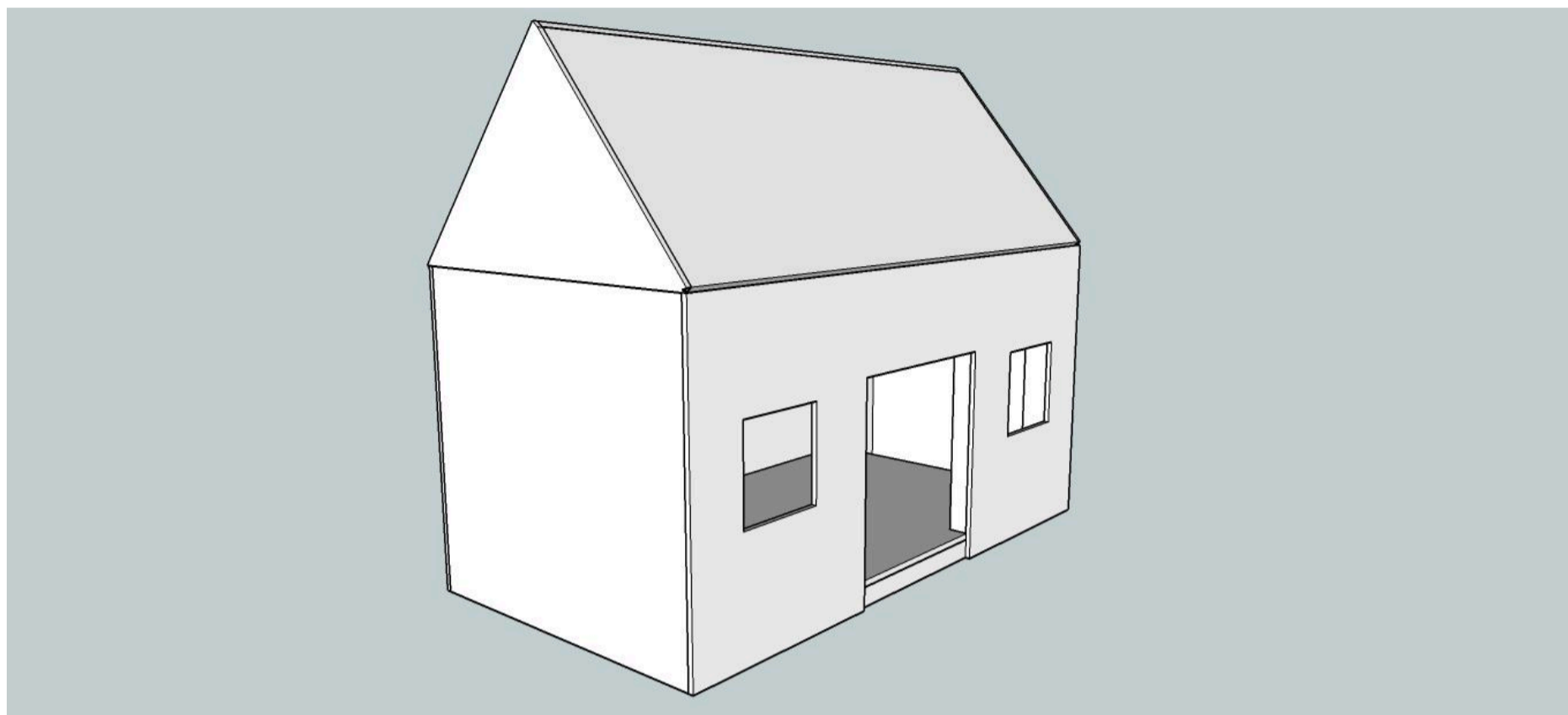
Next attach your two roof plywood pieces, notice they are slightly different sizes so they can overlap at the top!



13

**Step 13**

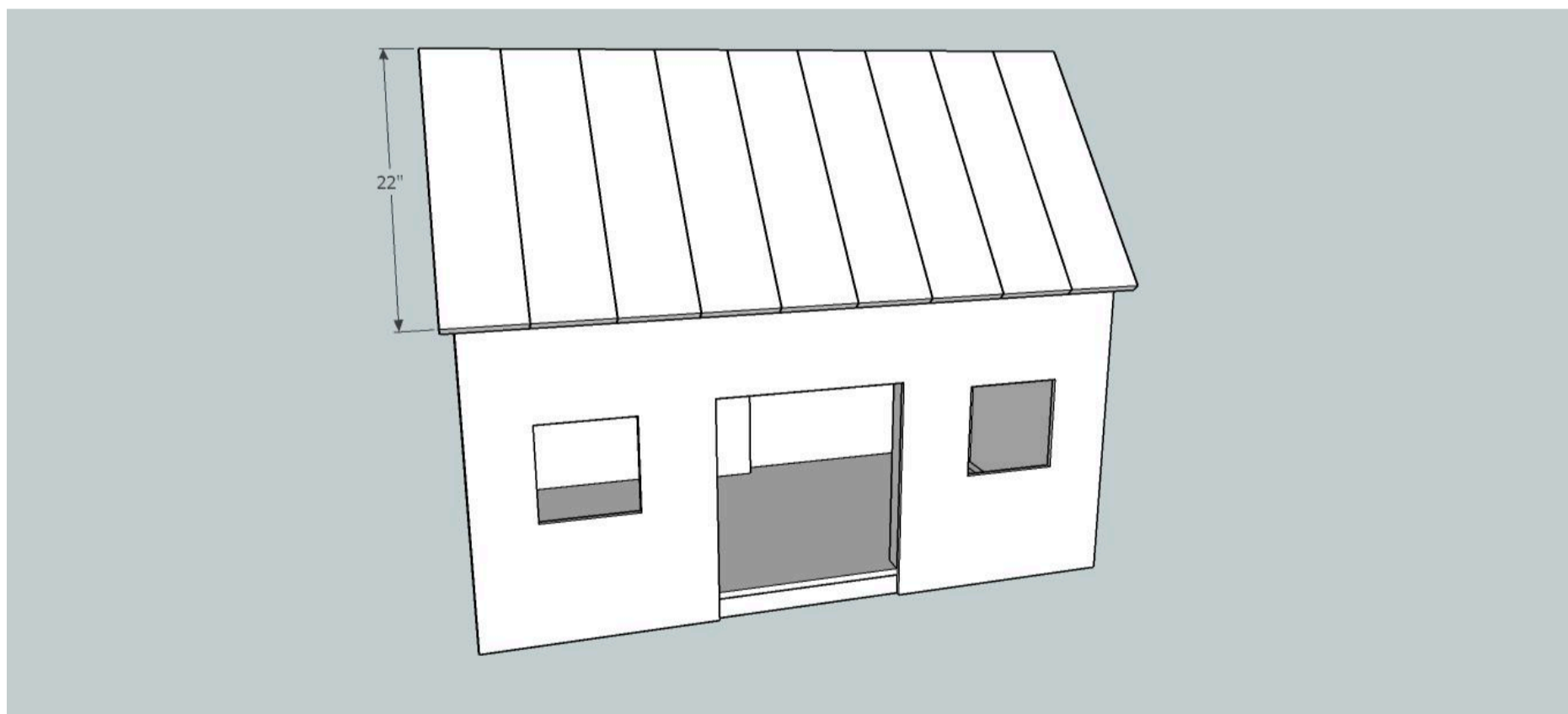
Next area up for work is the gable...at least that's what I think it is called...but I am not a roofer so someone please correct me if I am wrong!! LOL!! The triangular part of the side wall under the roof! Make sure and measure and cut this to size out of the same siding!



14

**Step 14**

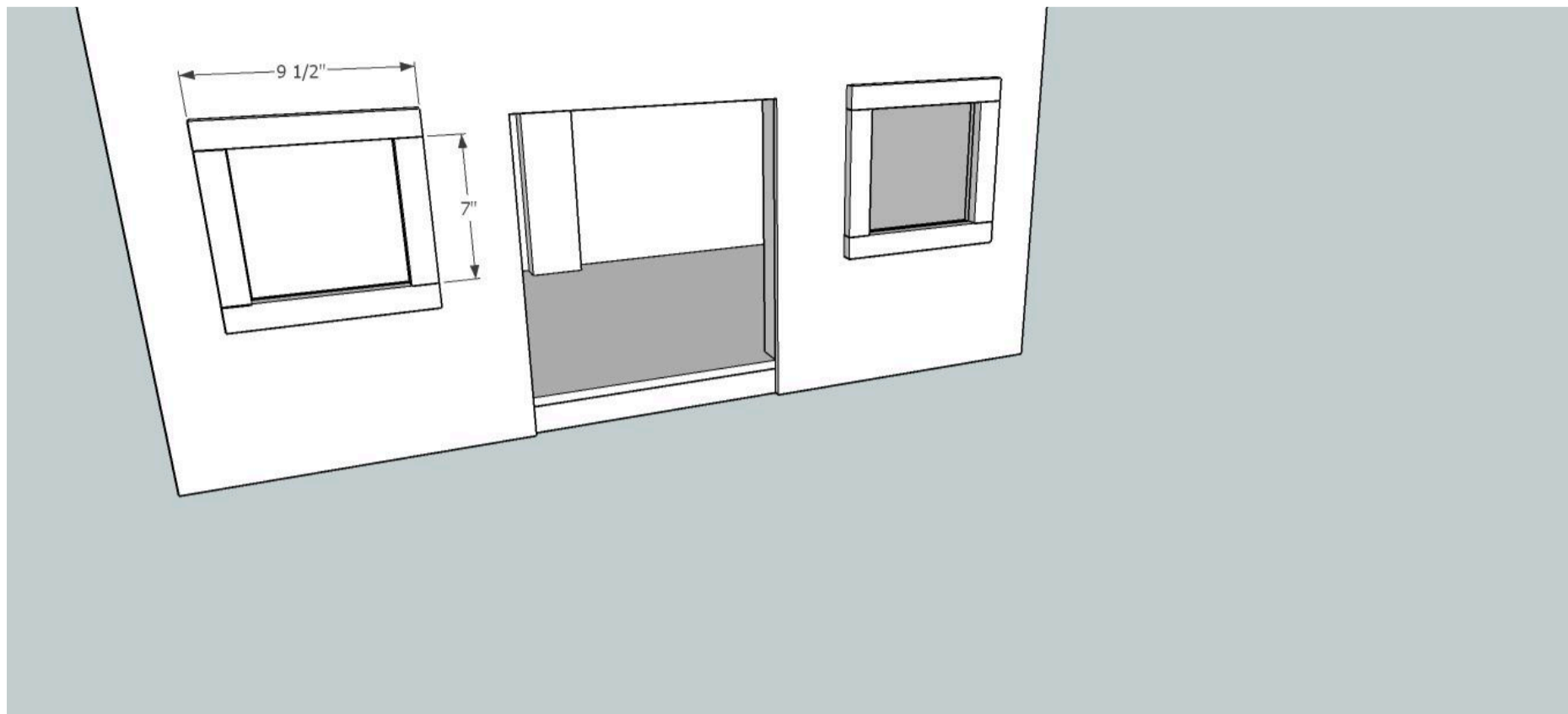
Add your roof boards on top of your plywood! I just attached the boards by using glue and brad nails...I didn't want to see any screws! Do this on both sides of the dog house!



15

**Step 15**

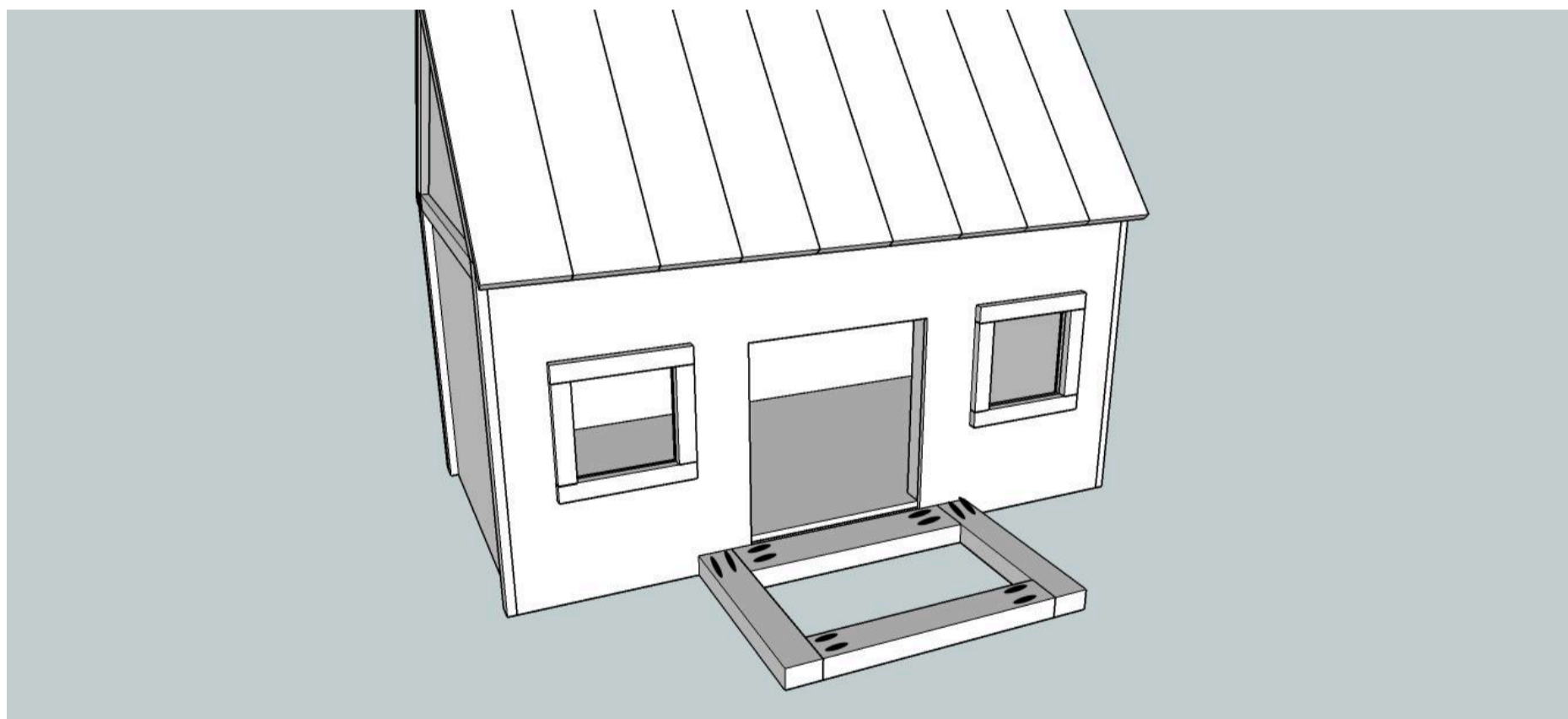
Go ahead and add a little trim to the windows now to see how cute that little touch makes the dog house! I just used liquid nails and my brad nailer to attach the trim! I didn't trim out the door unit! after I built the porch!



16

**Step 16**

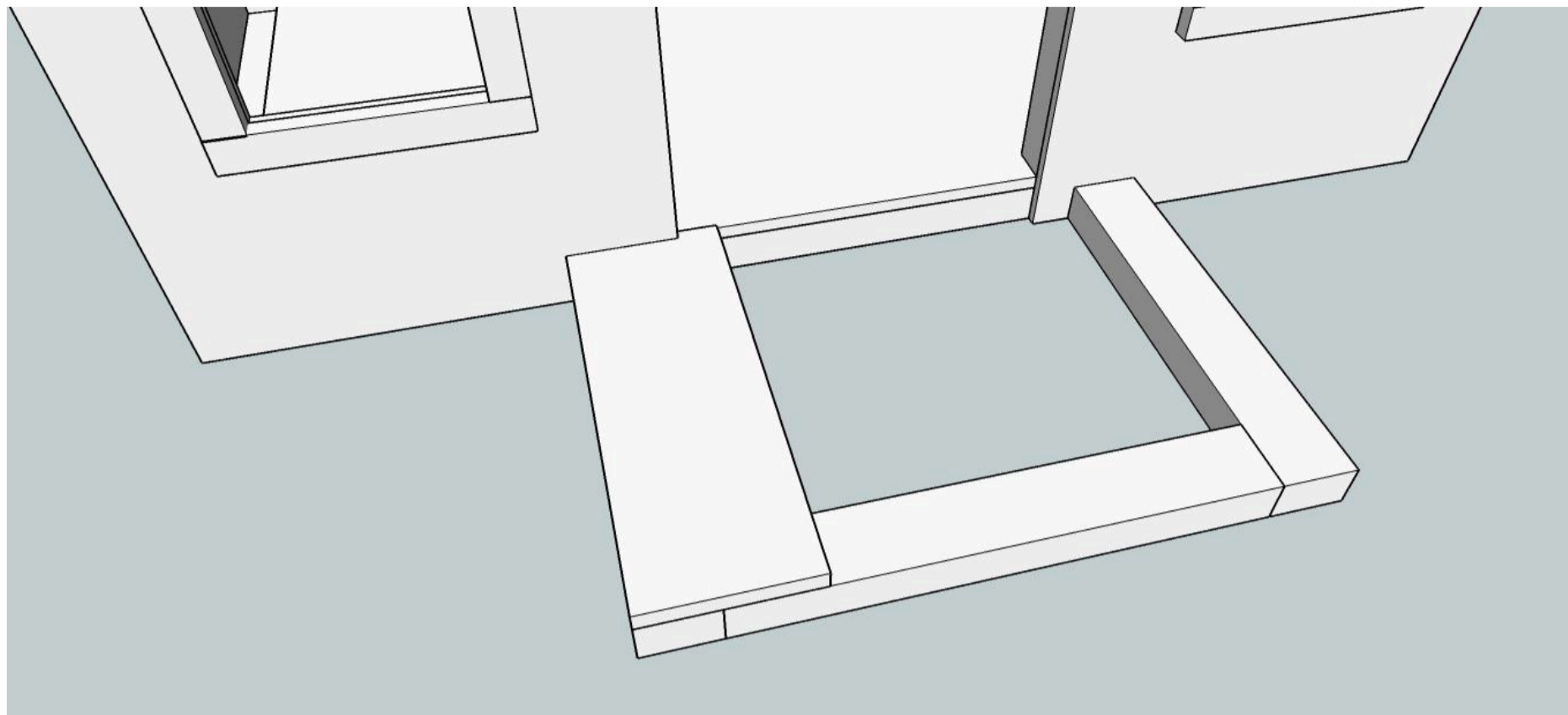
Let the porch building begin!! Attach boards as shown still using 1 1/2" pocket holes and 2 1/2" screws!



17

**Step 17**

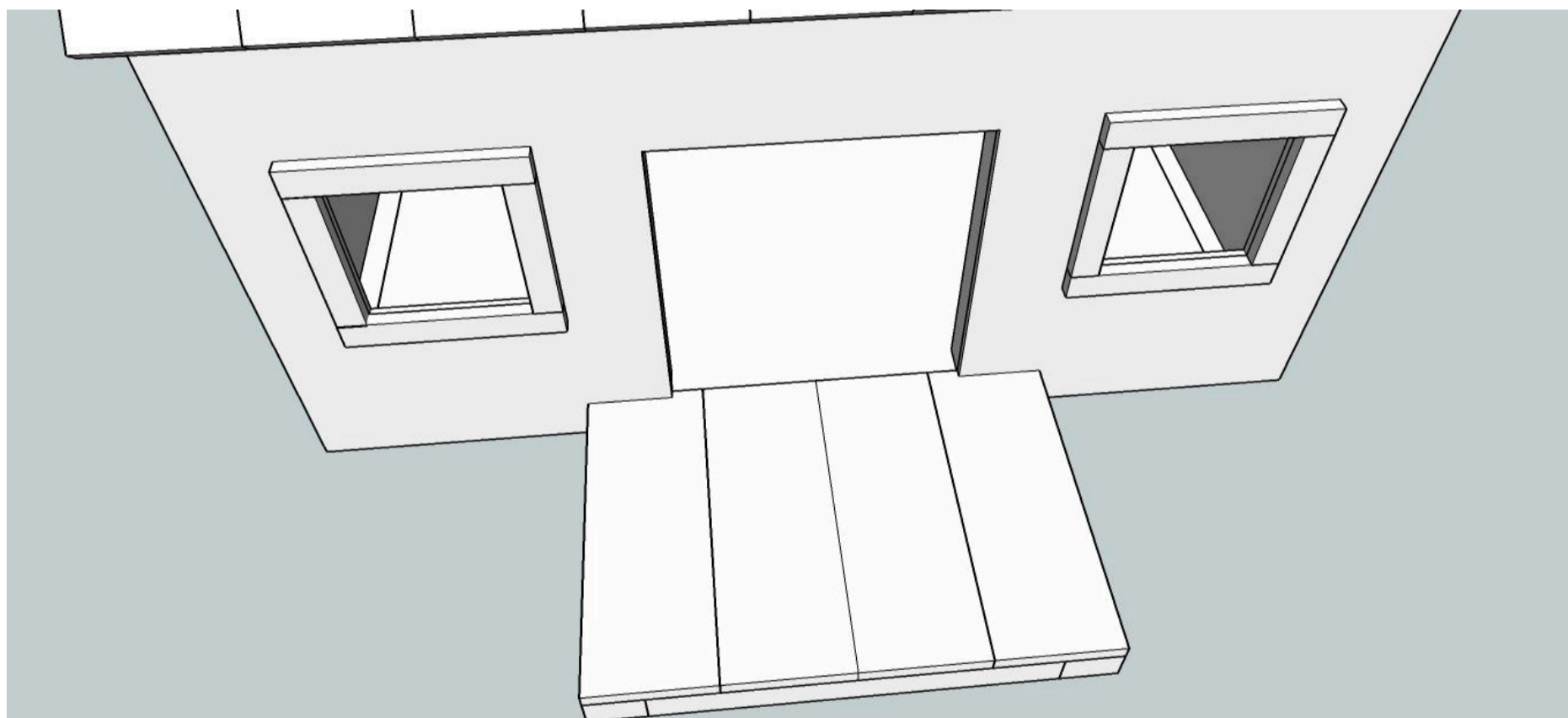
Next step, attaching the porch floor boards, measure and cut out the small area so that it sits flush with the floor plywood as shown in the picture!



18

**Step 18**

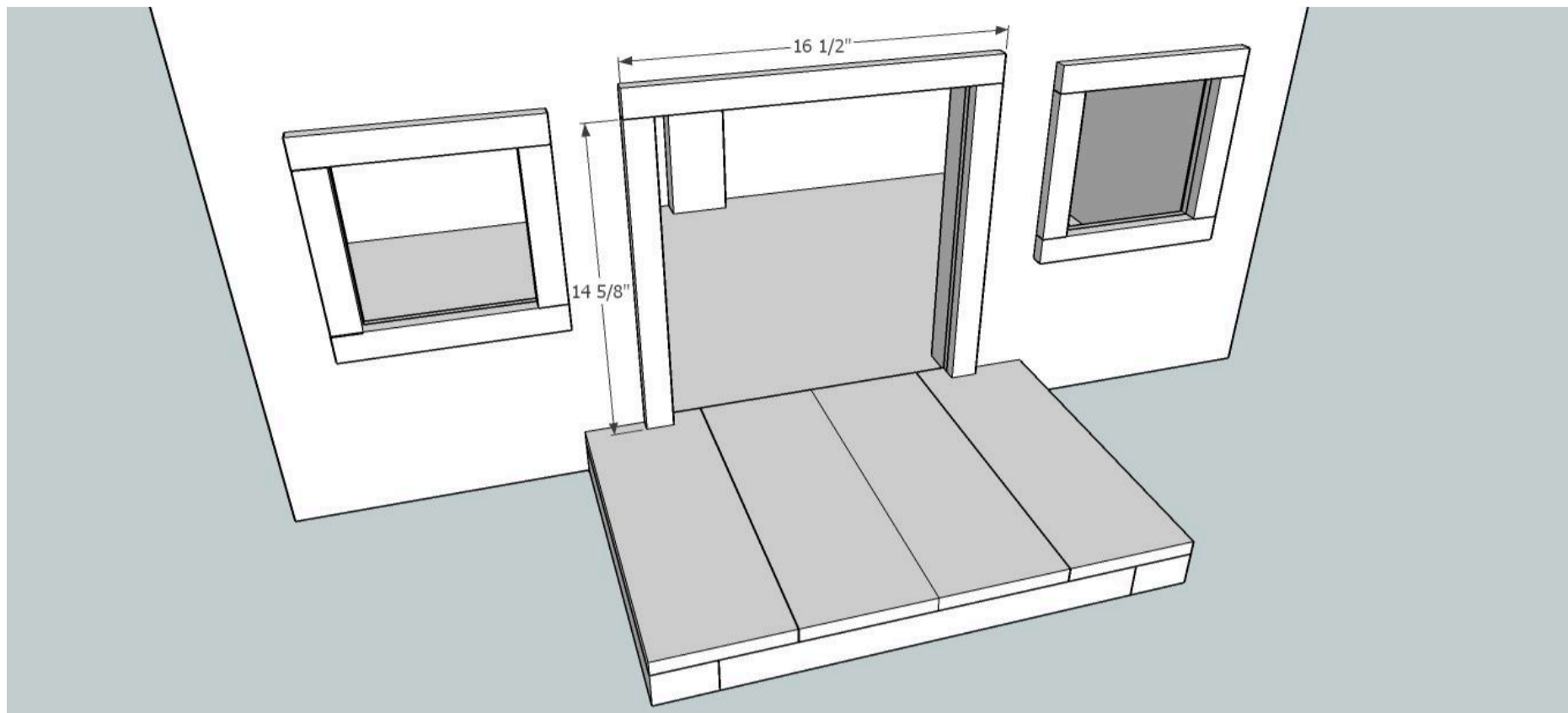
Finish attaching the porch floor boards!



19

**Step 19**

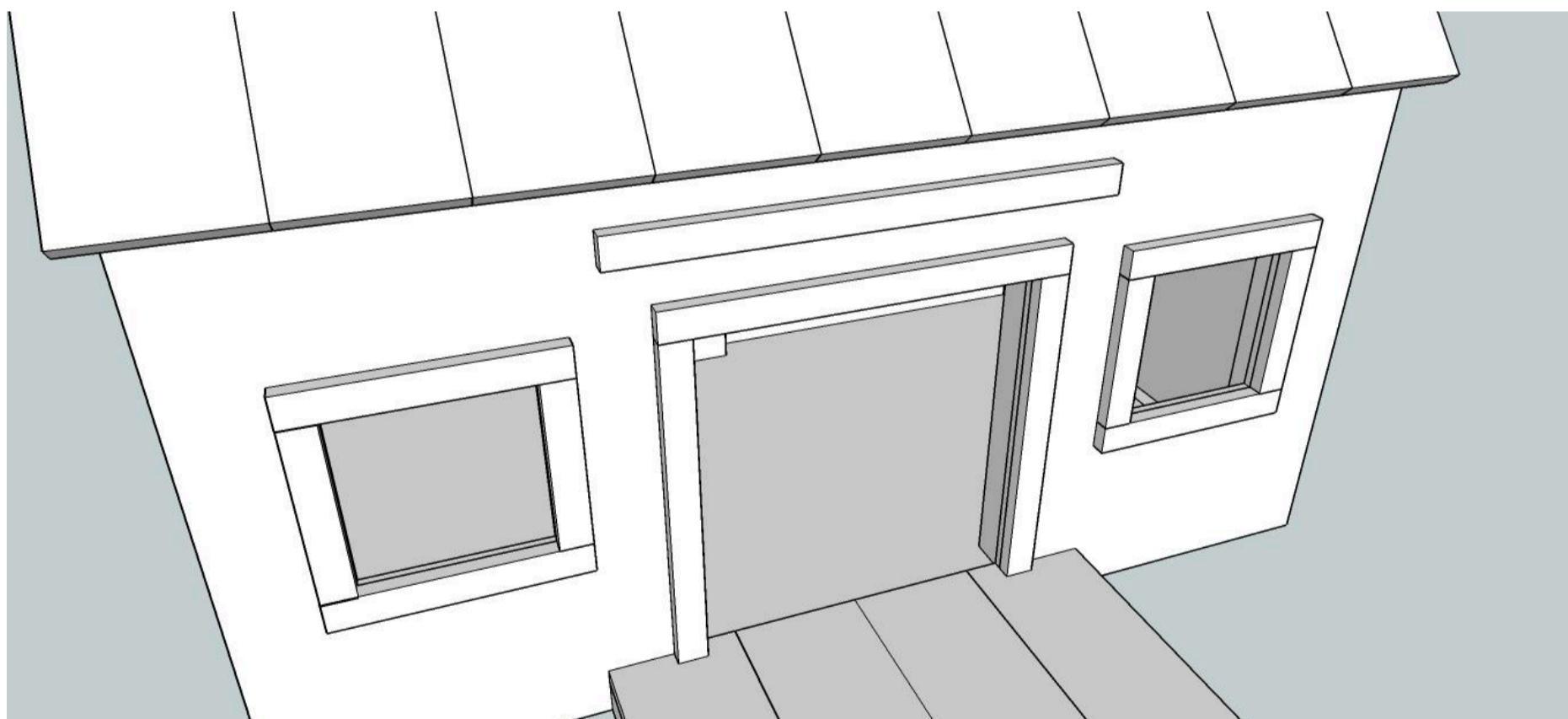
It's time you can frame out the door! I just ripped some of the same cedar fence pickets down to 1 1/2" to make the door framing!



20

**Step 20**

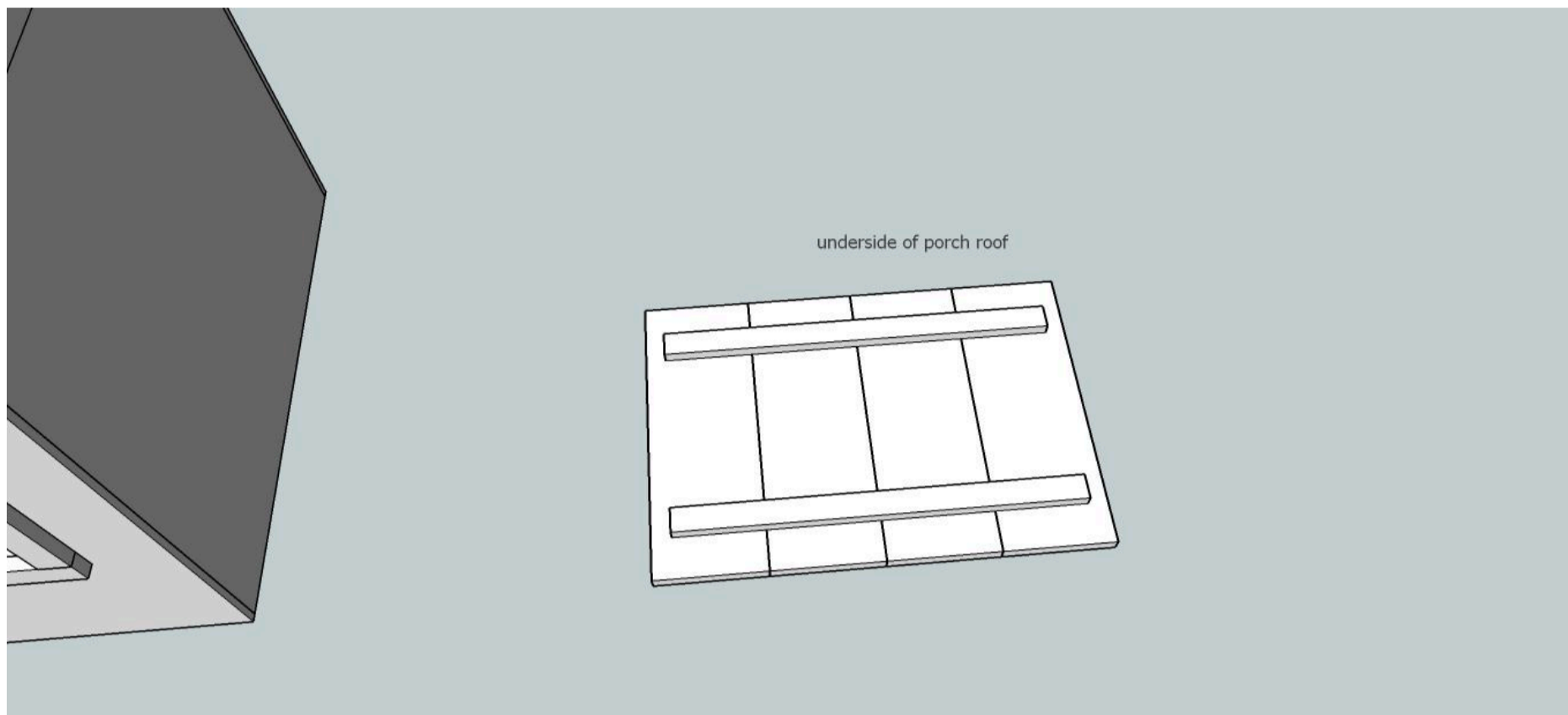
Next up is adding the porch roof, to start we will add the porch roof brace centered above the door! Again, this is the same fence pickets I ripped down!



21

**Step 21**

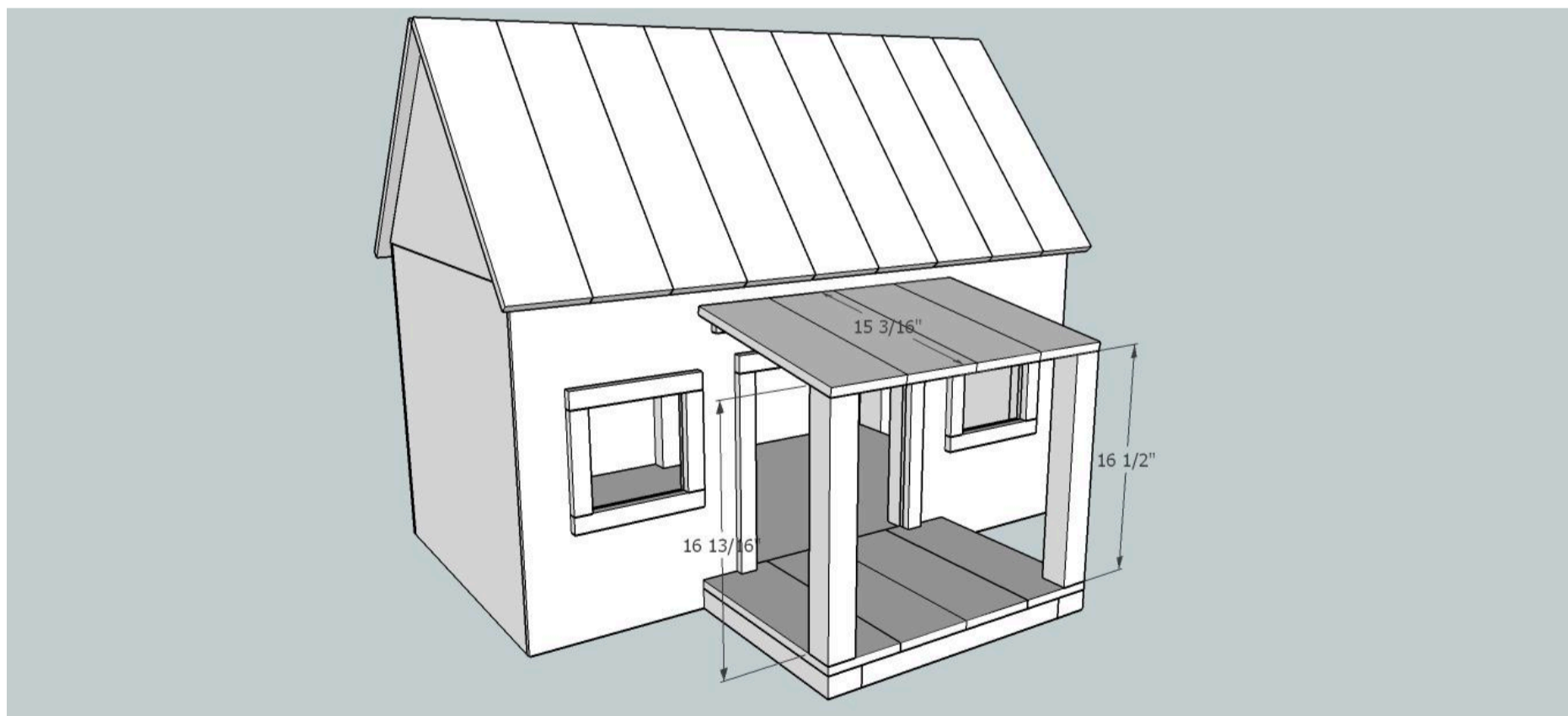
Make the porch roof to the side before attaching it! Taking your four porch roof boards, just lay the two porch roof runners on top of the boards and glue and brad nail/staple or screw it together if you would like! This will be the underside of the porch roof!



22

**Step 22**

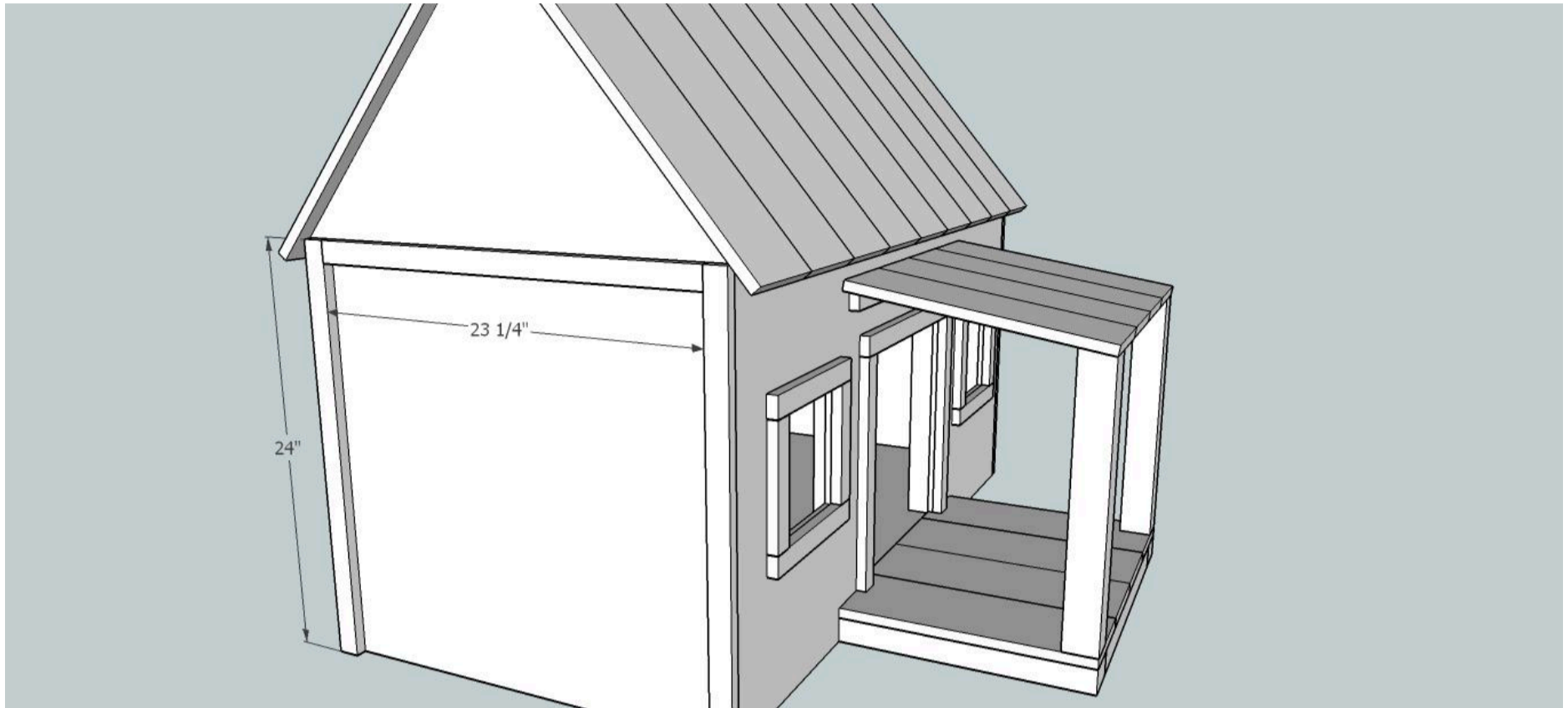
Depending on the slope you want on your porch roof, cut your porch pillars (2" dowel rod) down to about 16 13/16" and miter it at about 10 degrees off square, this gives it just an ever so slight slope! Attach the porch roof boards to both the dowel rod and the roof brace!



23

**Step 23**

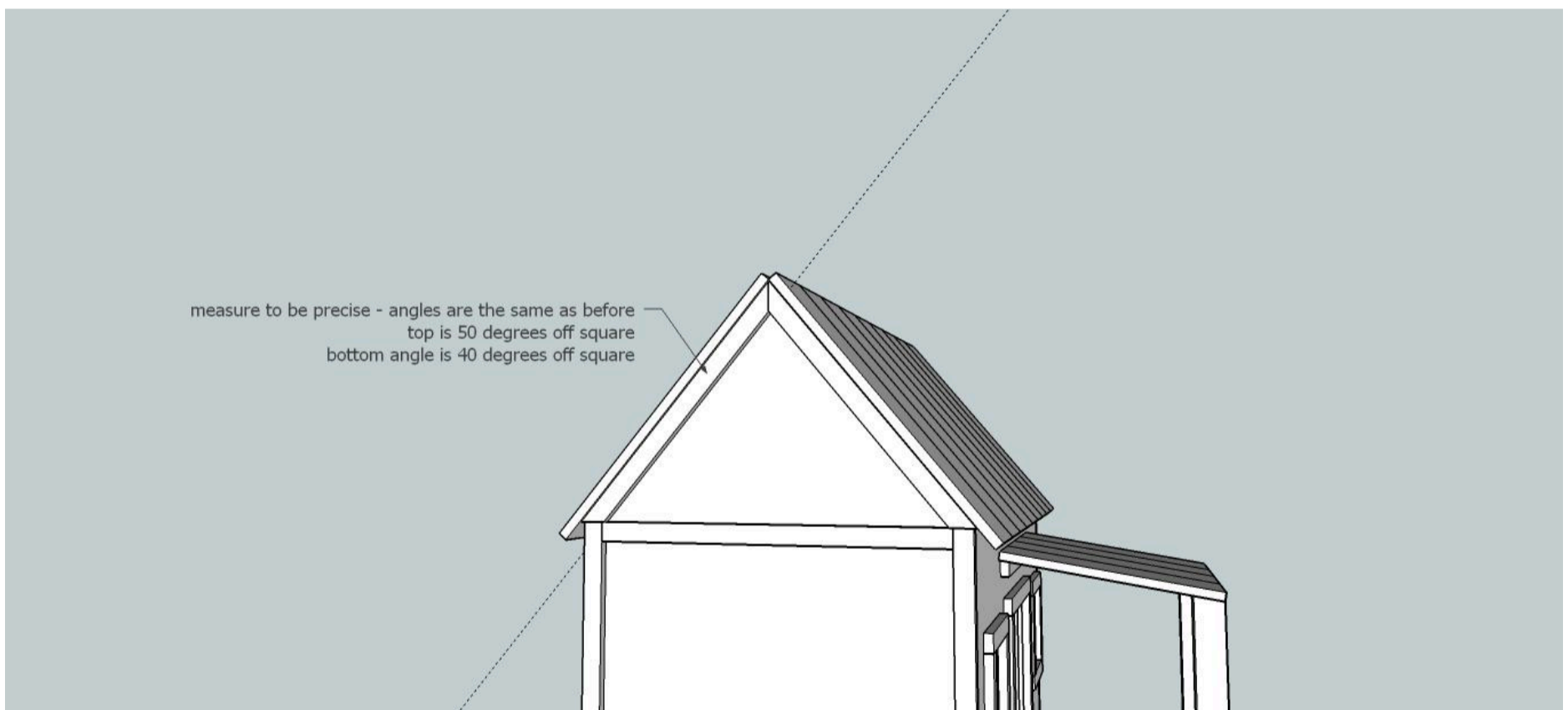
Everything is really cosmetic from here! I added the trim to the front and sides just so you wouldn't have to see where the siding meets up on the corners! I started on the sides so I could bring the front and back out past the sides!



24

**Step 24**

Attach the top trim to the triangles (I believe this is called fascia but I can't be certain)! Lol! It is mitered the same as the other roof boards!

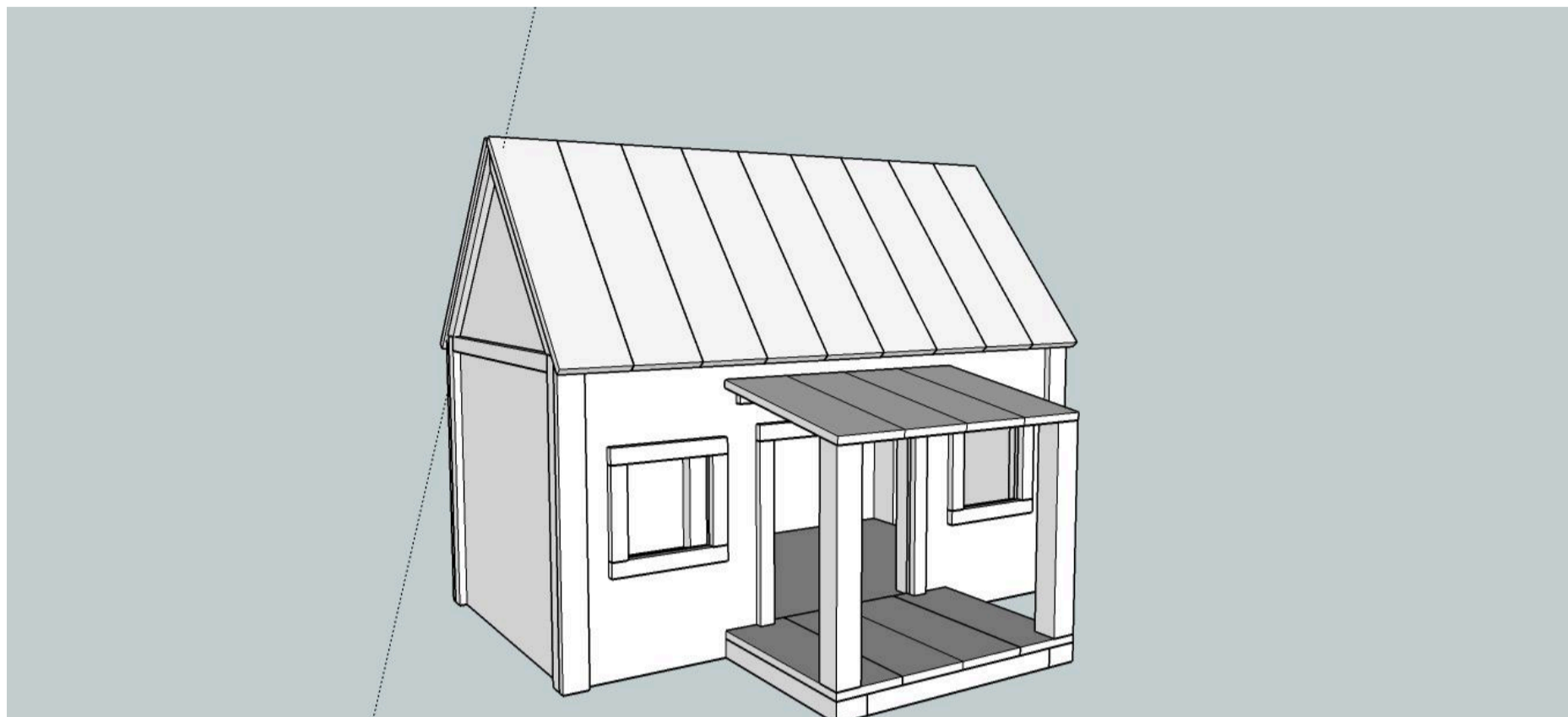




25

**Step 25**

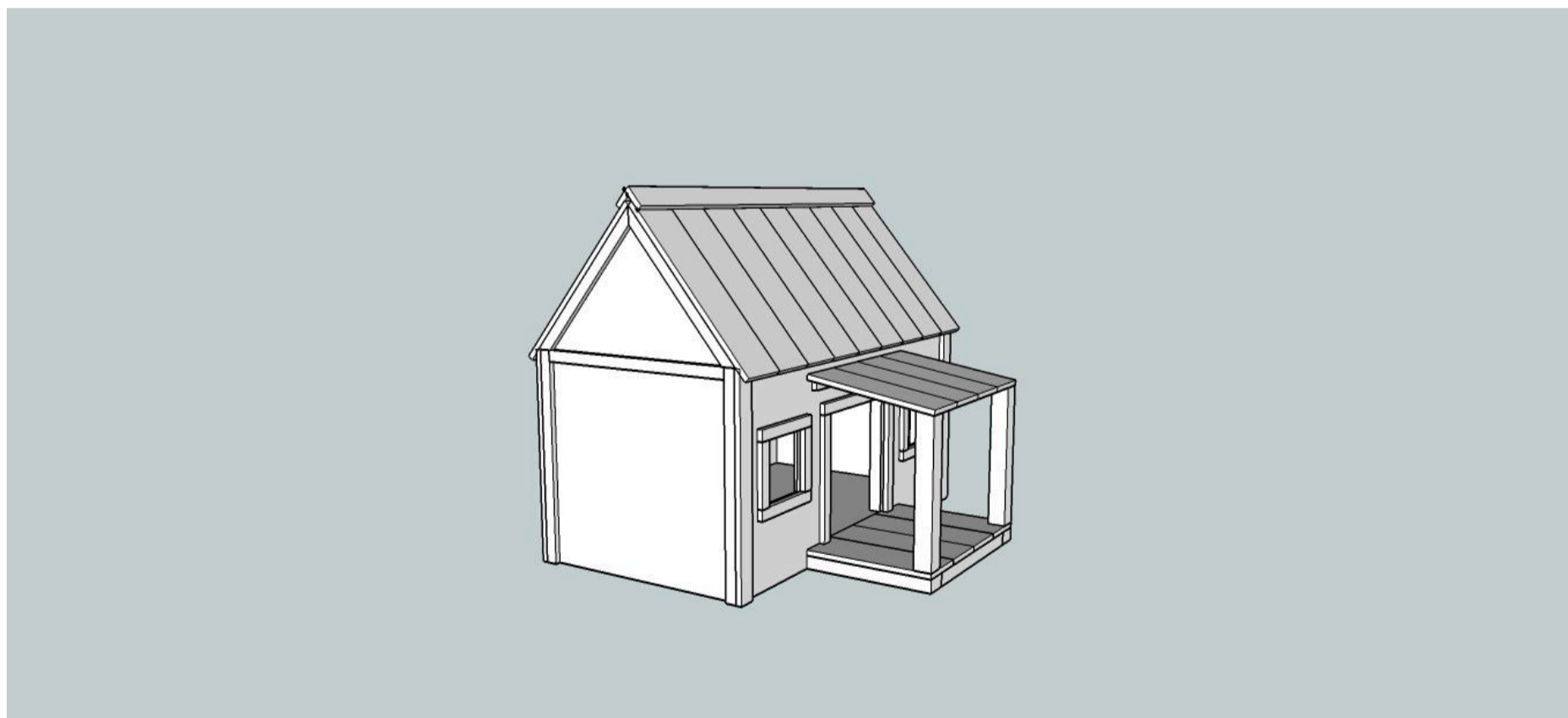
Attach front trim! I also ripped this trim down from the same fence pickets I just made it slightly wider at 2"! I covered the side framing with the front and back framing boards!



26

**Step 26**

Last but not least the top needs it's finishing touch and I don't even have the slightest clue what it is called! LOL! I will call it the wooden flashing!! Instead of beveling the boards together I took the easy route and just made one slightly larger and it overlapped the other! Does that make sense? This will leave the ever so slightest gap and I just cut a small square of wood and glued it in there! Very professional, I know!! Hehe!!



**27****Step 27**

Check out your fantastic work and let Fido move in!! My dogs wouldn't even get near it!! Lol!!

Just a little FYI, I did paint the siding off-white by Behr, the siding was a taupe color from the store! And the cedar, well I can't wait for it to start losing it's bright orange and start graying with time!!

Make sure and visit my website <http://builditcraftitloveit.com> for more free furniture plans!!

