

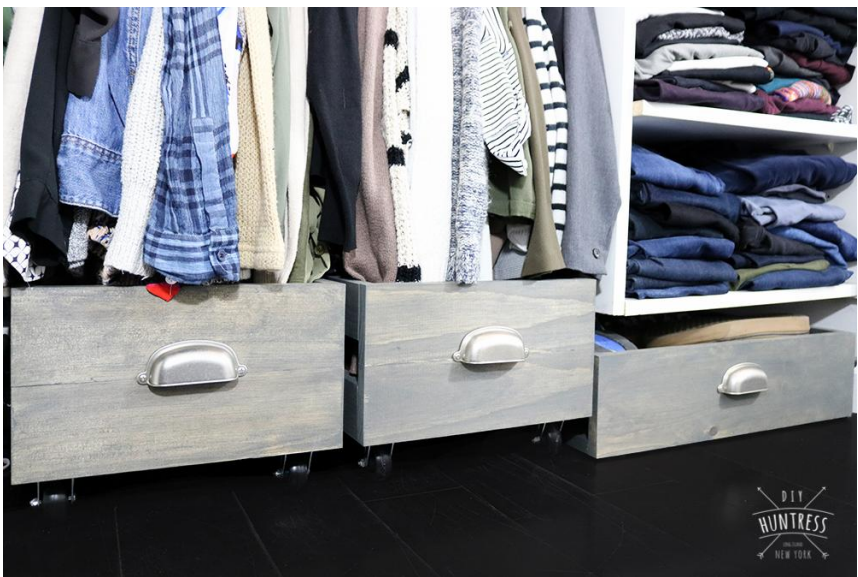
DIY Rolling Shoe Bin

By **DIY Huntress**

Difficulty

Easy

Spring is here, which means it's time to organize your home! Take advantage of unused floor space in your closet with rolling storage bins for simple organization and easy accessibility! These plans are for one bin at a standard crate size. Easily customizable for any closet!



Tools

Kreg Tools



[Kreg® Pocket-Hole Jig 720](#)

Other Tools

Miter Saw

Tape Measure

Drill (cordless)

Sander

Materials

Wood Products

1 Board , 1x5 , 72"

2 Board , 1x3 , 96"

Hardware & Supplies

50 1 1/4" Pocket Hole Screws

1 Pint Wood Stain

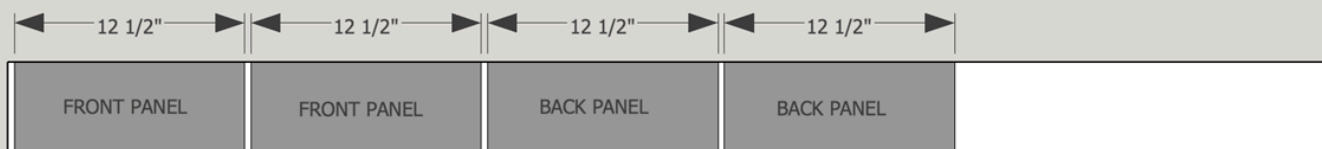
1 Bottle Wood Glue

Cut List & Parts

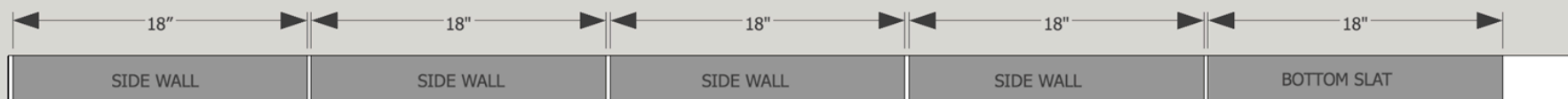
- 2 Front Panels, 1 X 5 X 12 1/2"
- 2 Back Panels, 1 X 5 X 12 1/2"
- 4 1 X 3 X 18", Side Pieces
- 3 1 X 3 X 18", Bottom Slats

ROLLING SHOE BIN CUT LIST*

(1) 1 x 5 x 6'



(2) 1 x 3 x 8'



* Make sure to double check all dimension for your specific closet space before building. These plans can be modified for any closet floor space.

Directions

1

Check Dimensions

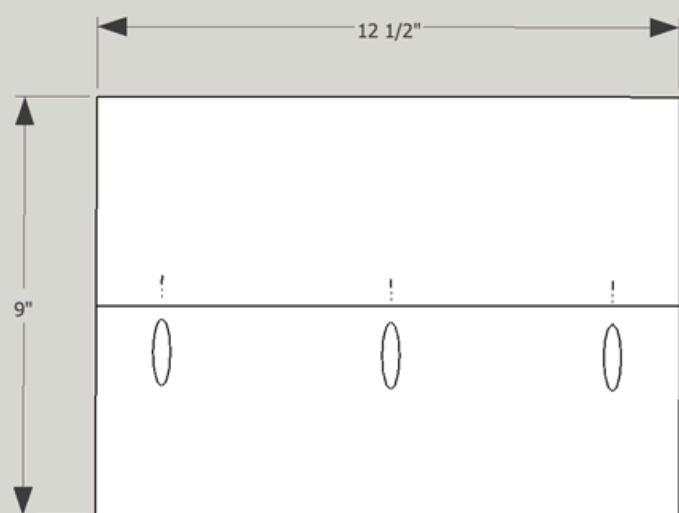
Before starting this build, make sure to measure your closet space. You can customize this build to your own dimensions and still follow the steps listed to create fully customizable storage for your needs!



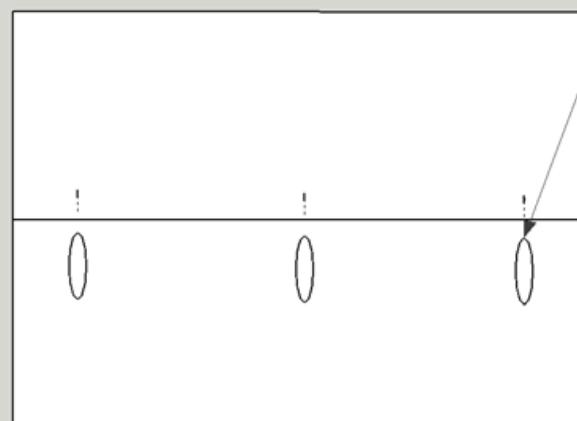
2

Build Front & Back Panels

Create front and back panels by attaching your 1x5 pieces with 1 1/4" pocket hole screws and glue.



FRONT PANEL



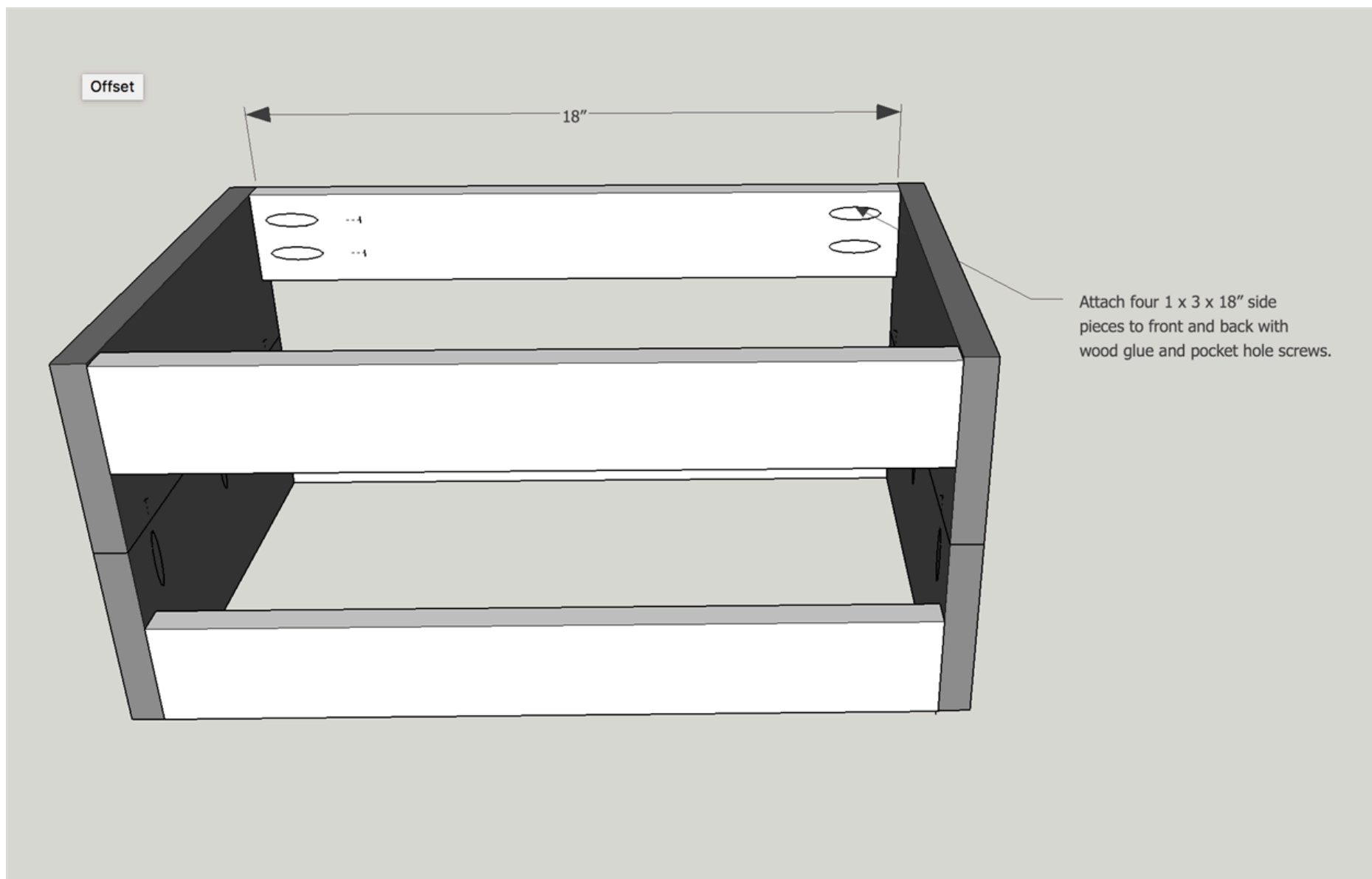
BACK PANEL

Attach two 1 x 5 x 12.5 pieces together with 1 1/4" pocket hole screws & glue to create two panels (one front and one back).

3

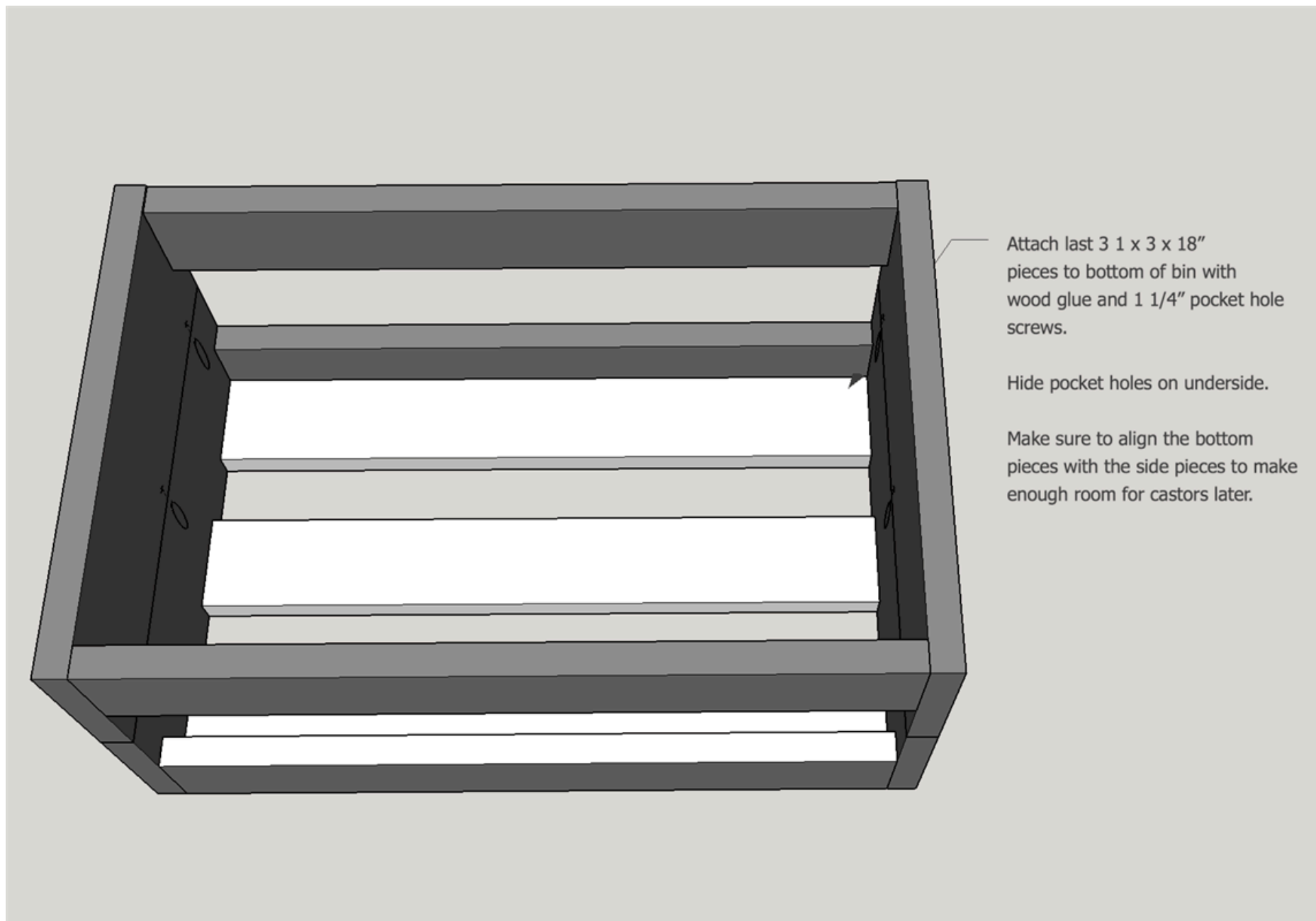
Attach Sides

Attach your 1x3 side pieces with 1 1/4" pocket hole screws and wood glue.



4**Attach Bottom Slats**

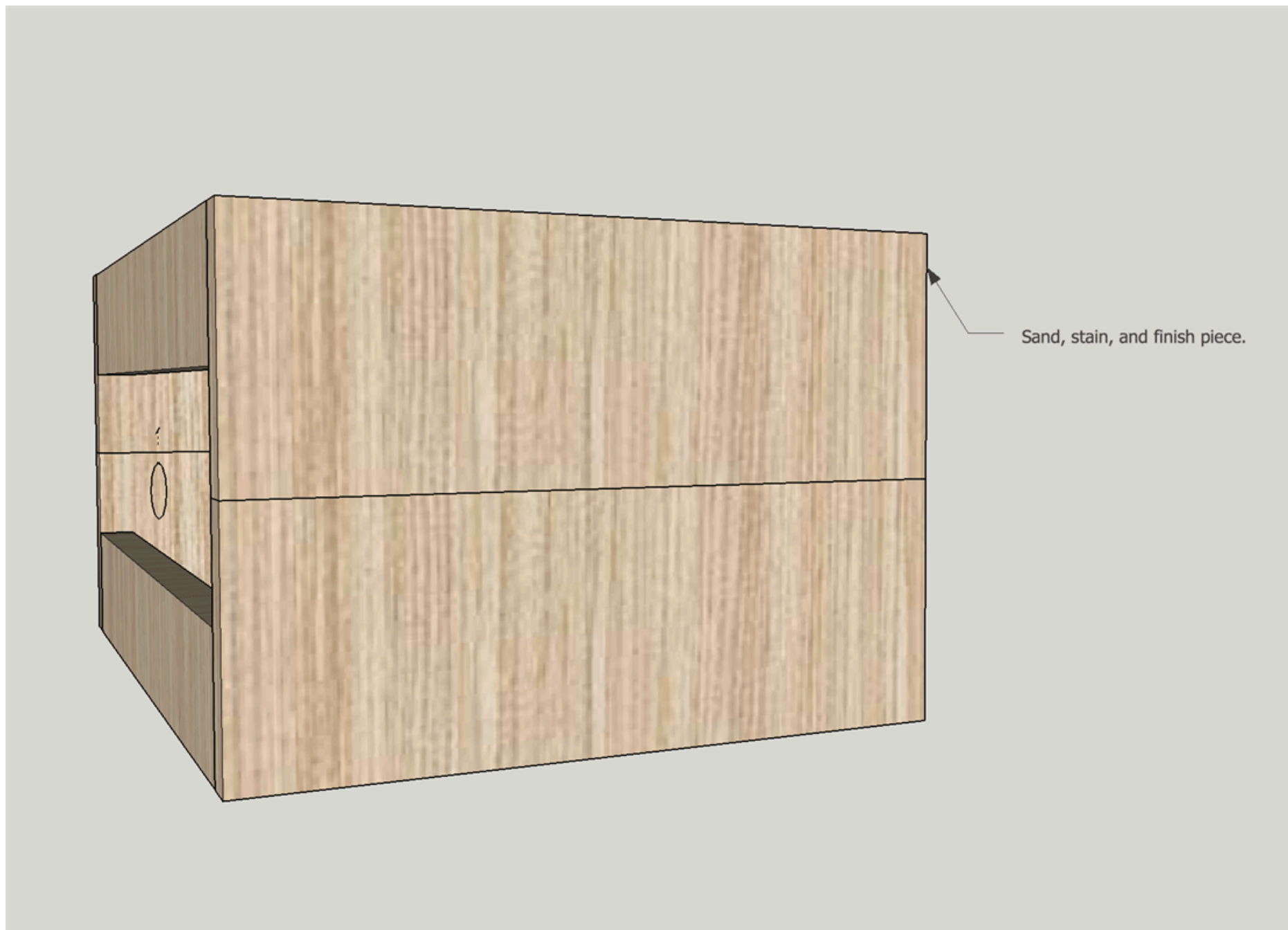
Attach 1x3 bottom slat pieces with 1 1/4" pocket hole screws and wood glue. Make sure to align end pieces with side slats to create surface area for castors later.



5

Sand & Stain

Sand & stain your bin(s). For full details on stain color used on the bins pictured, please visit dihuntress.com and search for "Shoe Bin".



6**Add Hardware**

Add pull(s) and castors to the bin(s). For full details on the hardware used in this project, visit diyhuntress.com and search for "Shoe Bin".

